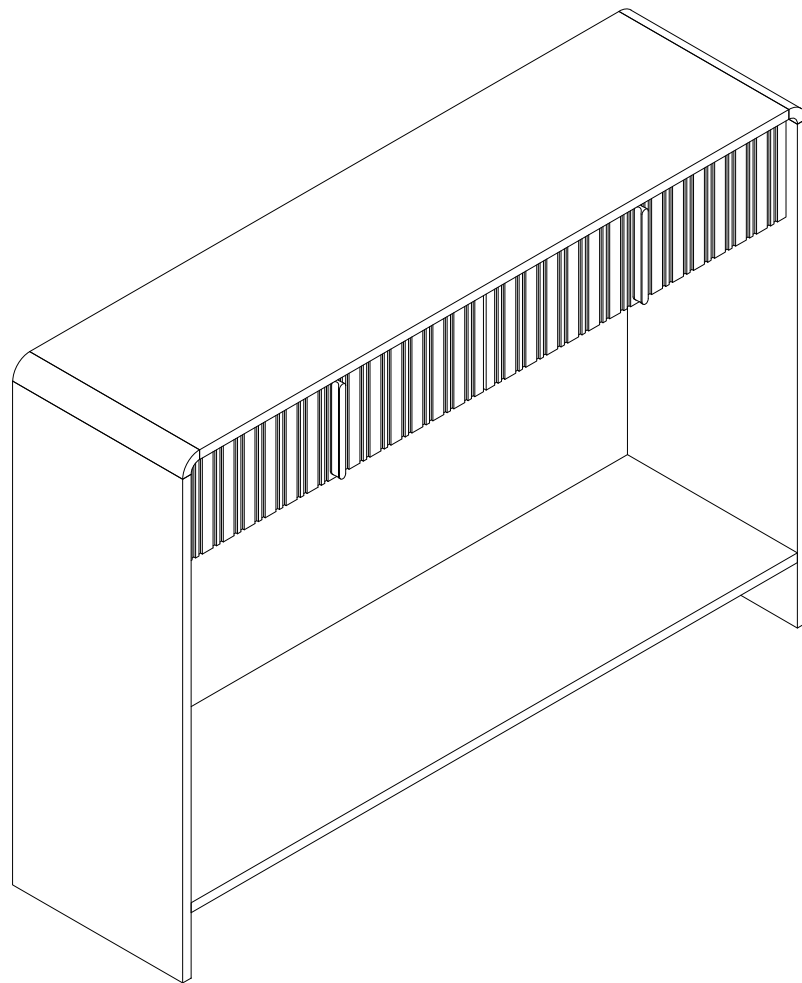


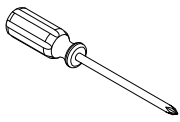
Installation Instruction



Assembling

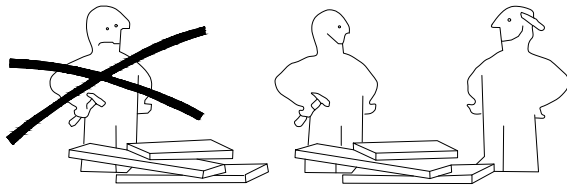
What you need

- Use the packaging carton as a working surface to prevent product damage during assembly
- Phillips head screwdriver



Weight Limitation


100 | **35**
 lbs table top | lbs per

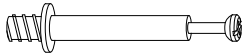


What' included

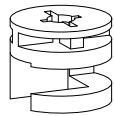
Code	Description	Qty
A	Cam Bolt M6X35MM	40
B	Cam Lock 15X9MM	40
C	Wooden Dowel M8X30MM	15
D	Screw M4X40MM	13
E	The screw M3X14MM	18
F	Hole position sticker	21
G	Metal shake handhandle	2
H	Thumbtack	7
I	Anchor	2
J	Metal connector	2
K	Can bolt M4X18MM	4
CL	Left mother extended orbit	2
CR	Right mother extended orbit	2
DL	Left public extension track	2
DR	Right public extends track	2

The Hardwares

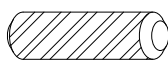
A



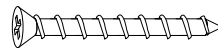
B



C



D



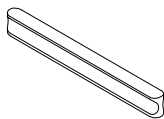
E



F



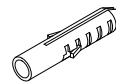
G



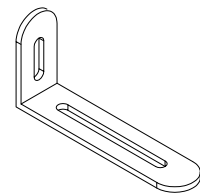
H



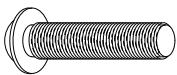
I



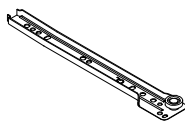
J



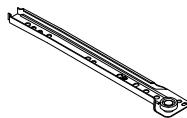
K



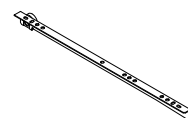
CL



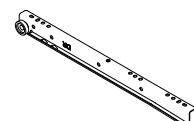
CR



DL



DR



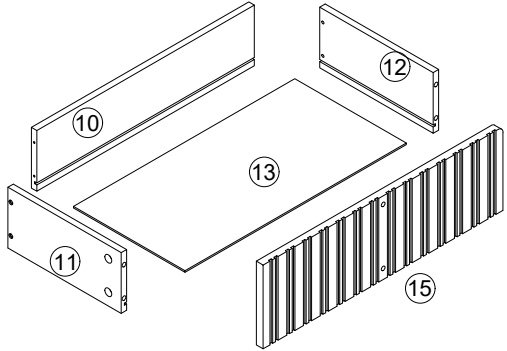
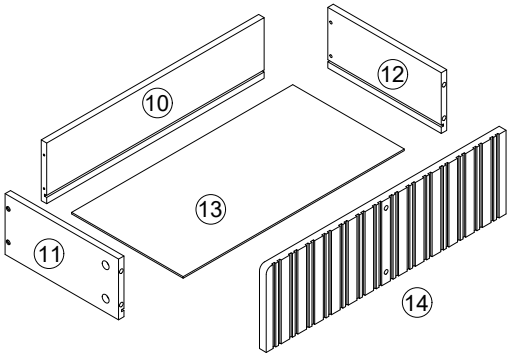
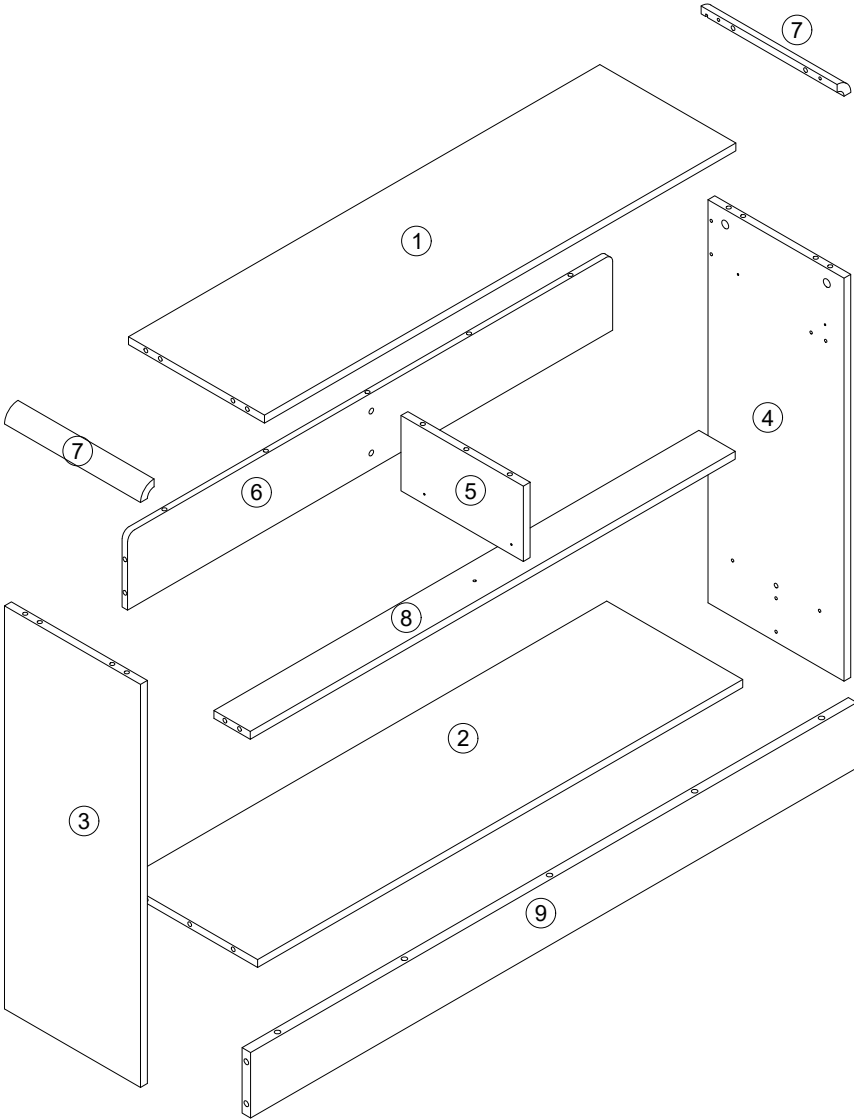
IMPORTANT:

1. Do not tighten bolts / screws completely until all bolts / screws are lined up and inserted into holes.
2. Do not over tighten screws and bolts to avoid stripping
3. Please use hand tools to assemble this product, you can also use power tools (please use power tools carefully)

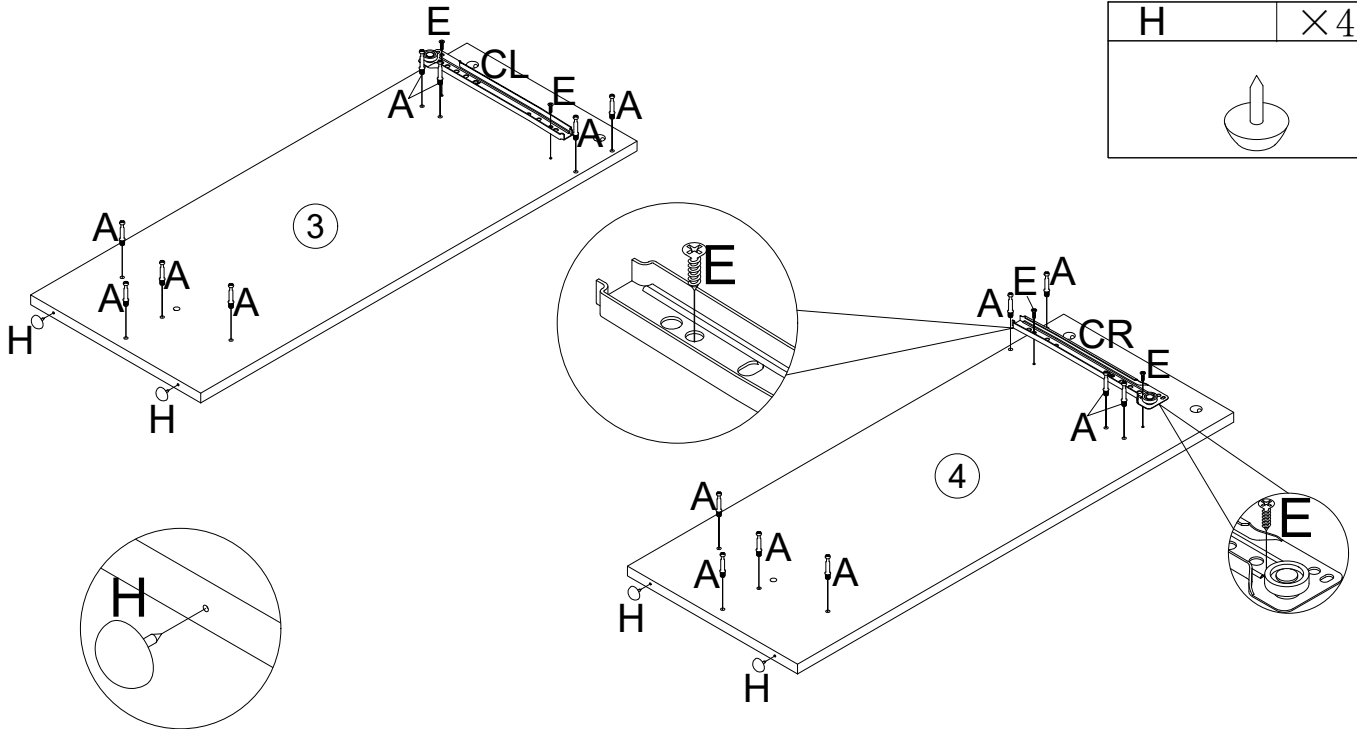
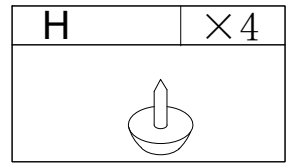
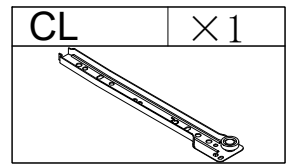
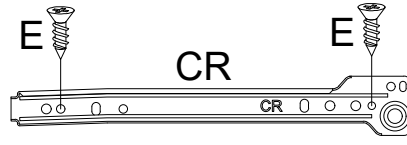
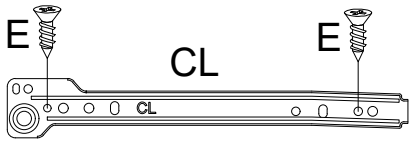
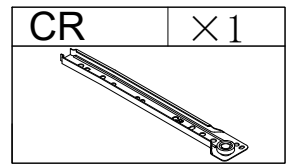
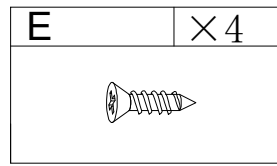
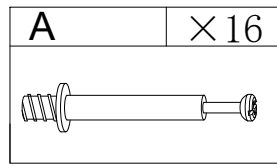
Included Accessories

Code	Description	Qty
1	Cabinet Top	1
2	Bottom Panel	1
3	Left Side Panel	1
4	Right Side Panel	1
5	Median plate	1
6	Back plate	1
7	Arc connecting plate	2
8	Baffle plate	1
9	Baffle plate	1
10	After the drawer board	2
11	Drawer left panel	2
12	Drawer right side panel	2
13	The drawer bottom	2
14	Drawer left panel	1
15	Drawer right panel	1

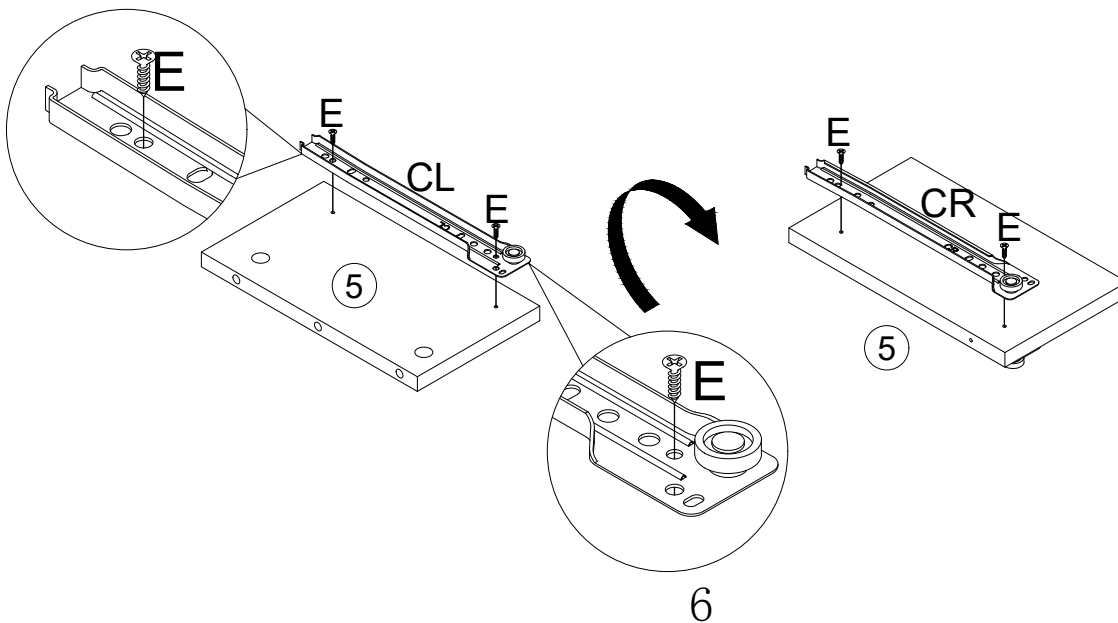
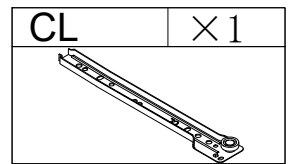
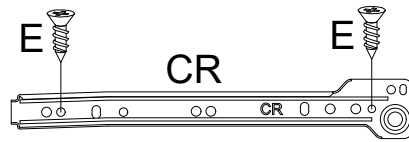
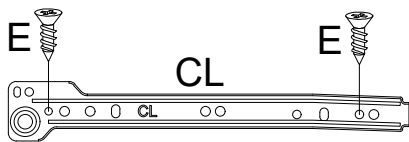
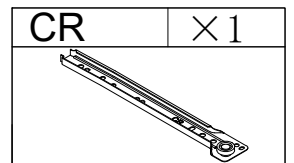
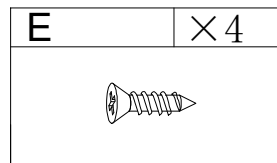
The Accessoriess



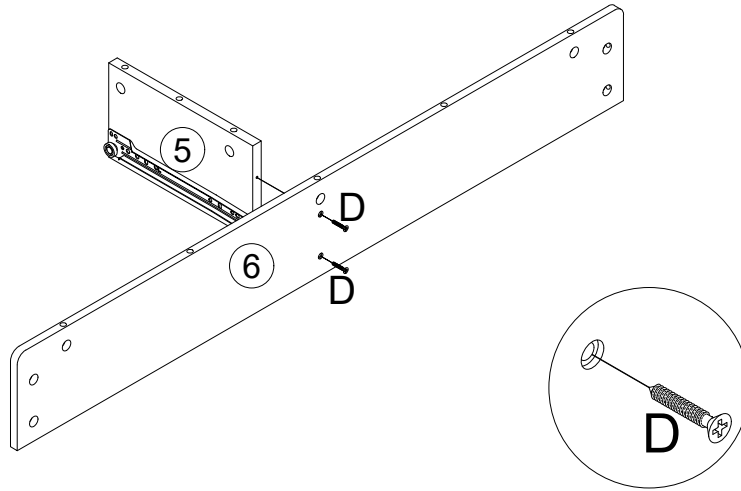
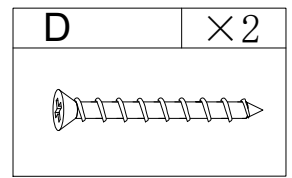
Step 1



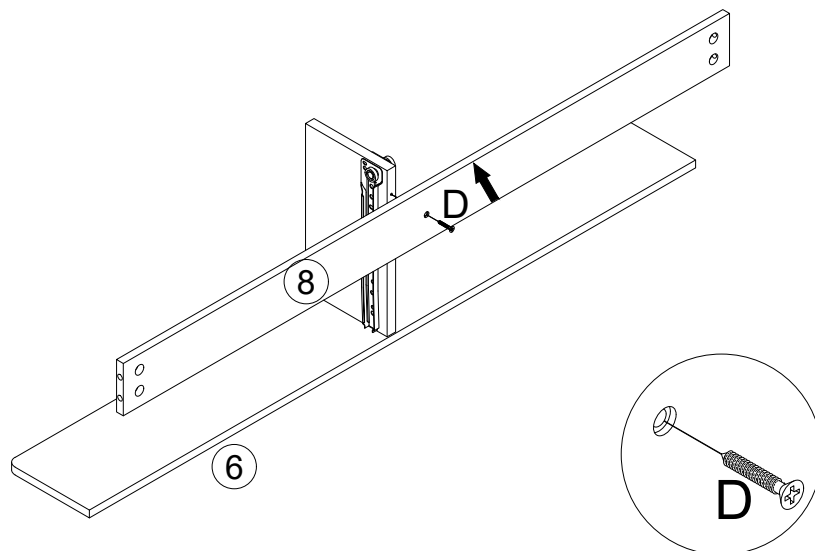
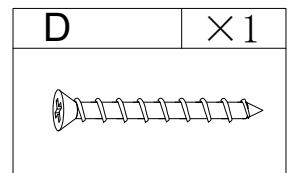
Step 2




Step 3

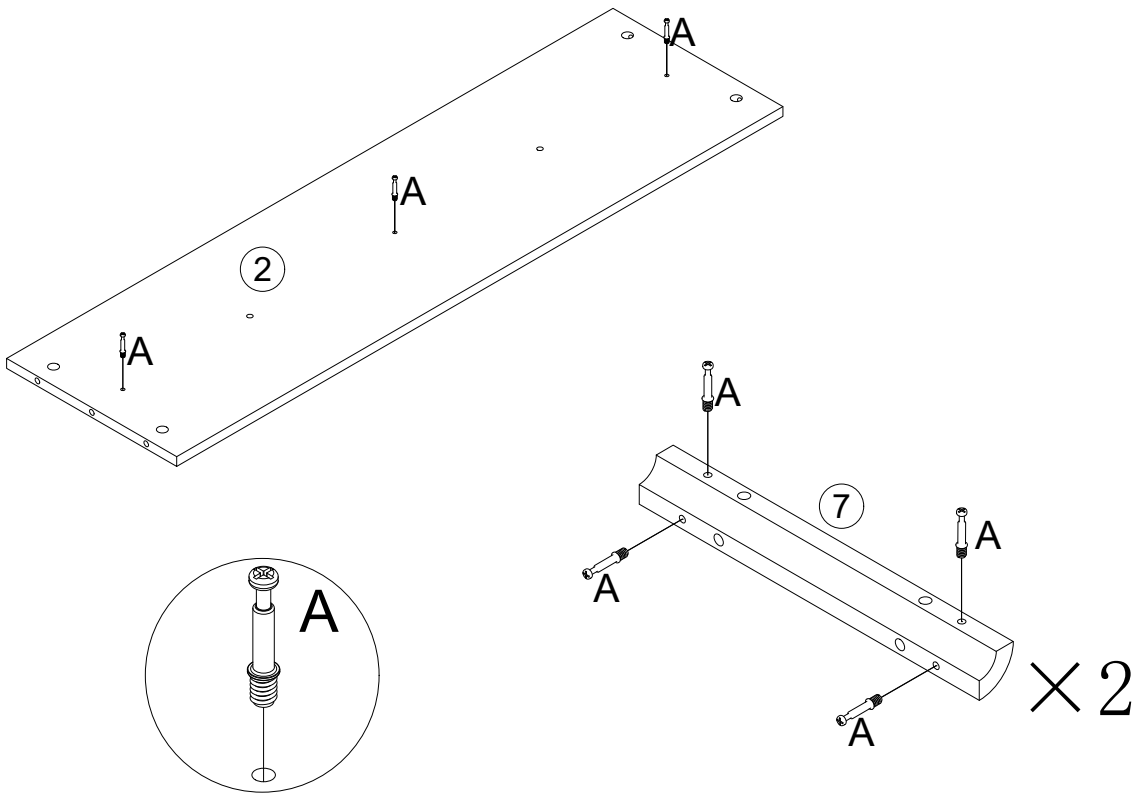


Step 4

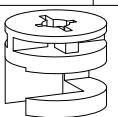


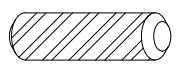
Step 5


A	×11
	

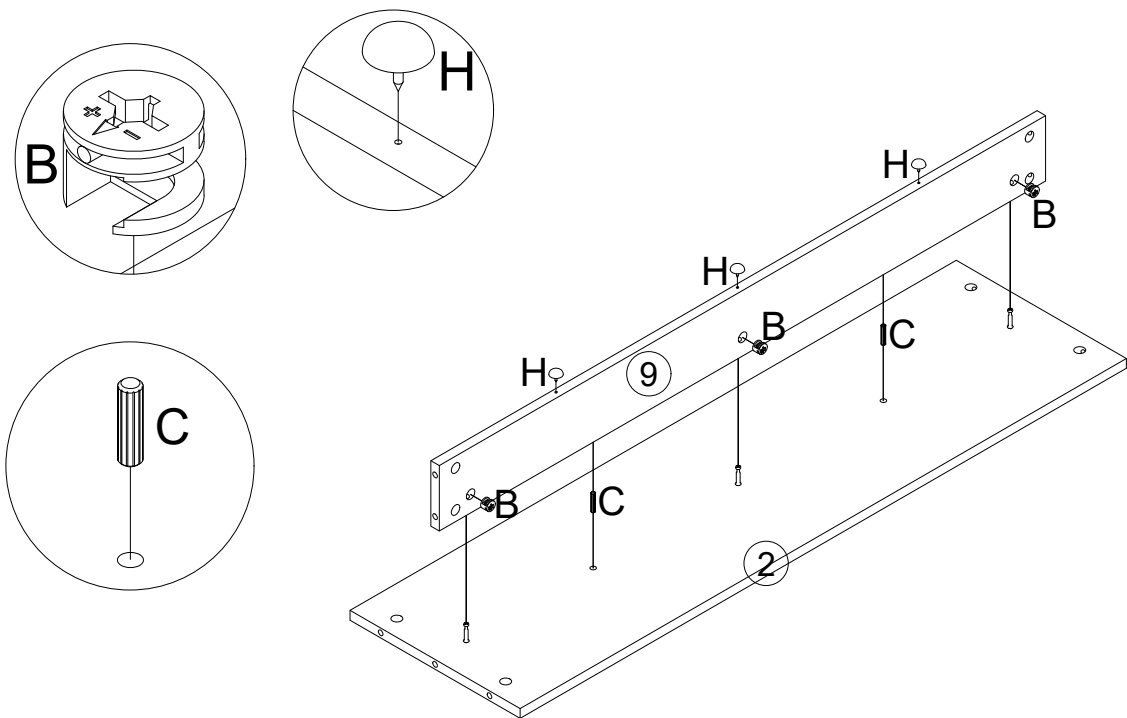


Step 6

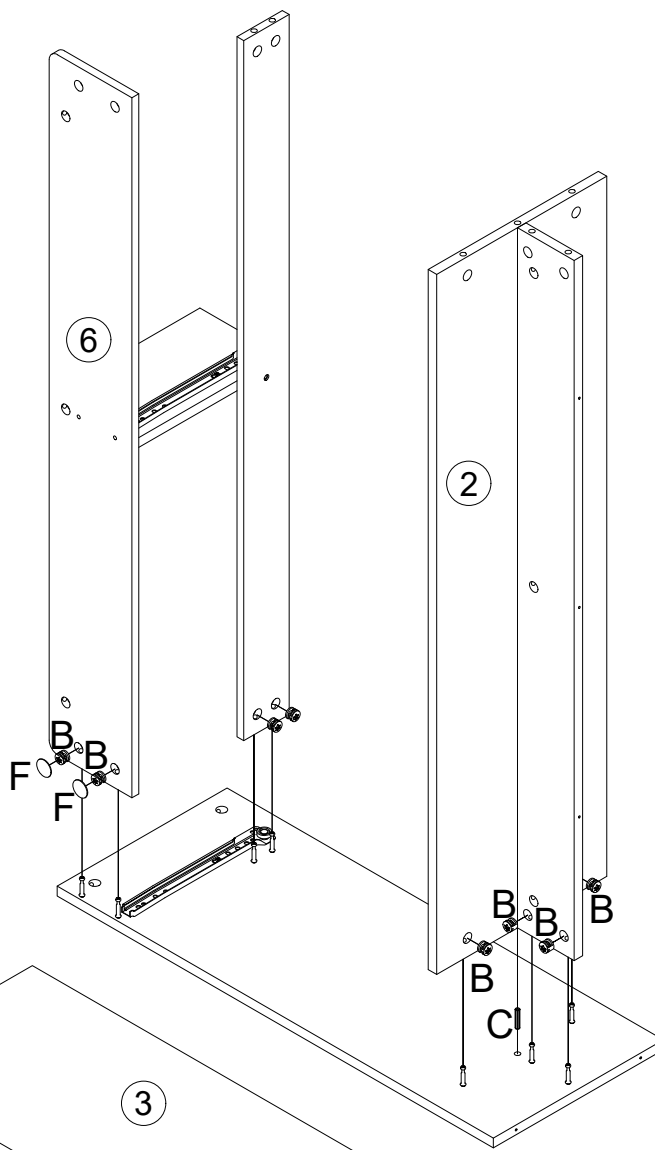
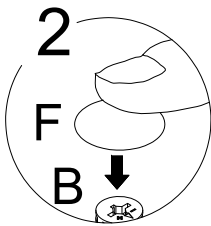
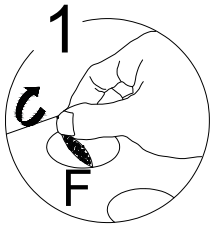
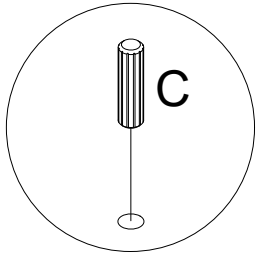
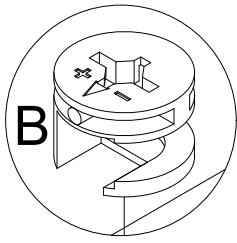
B	×3
	

C	×2
	

H	×3
	



Step 7

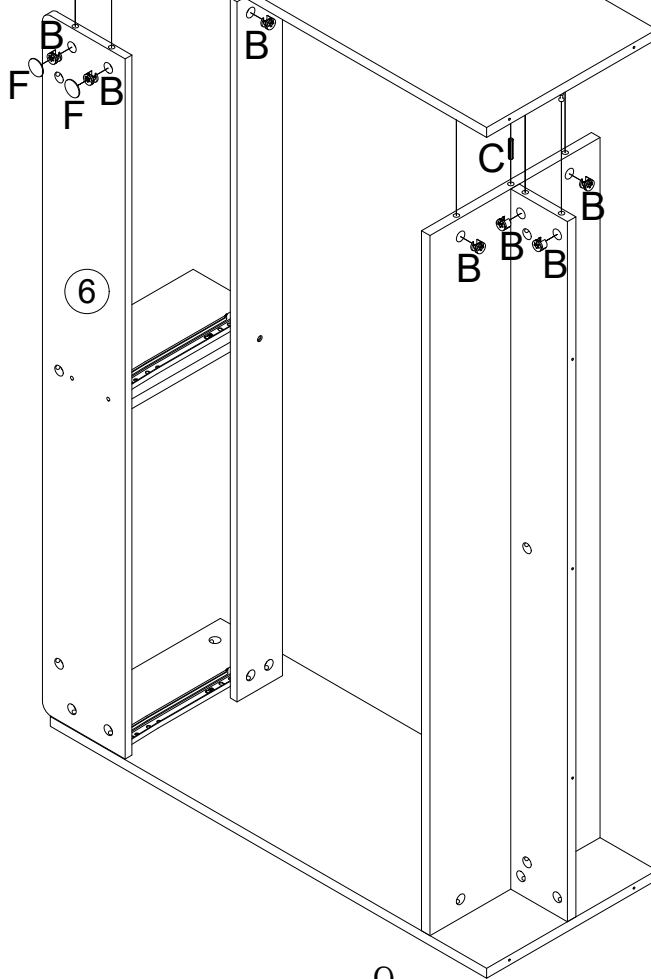
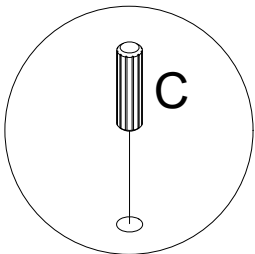
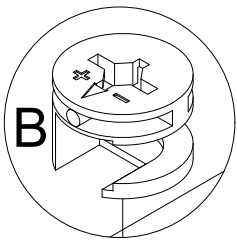


B	×8

C	×1

F	×2

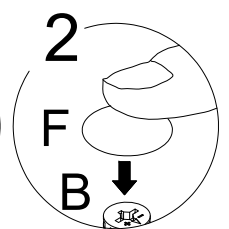
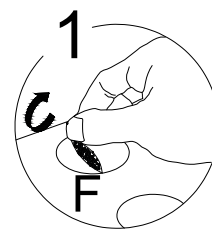
Step 8



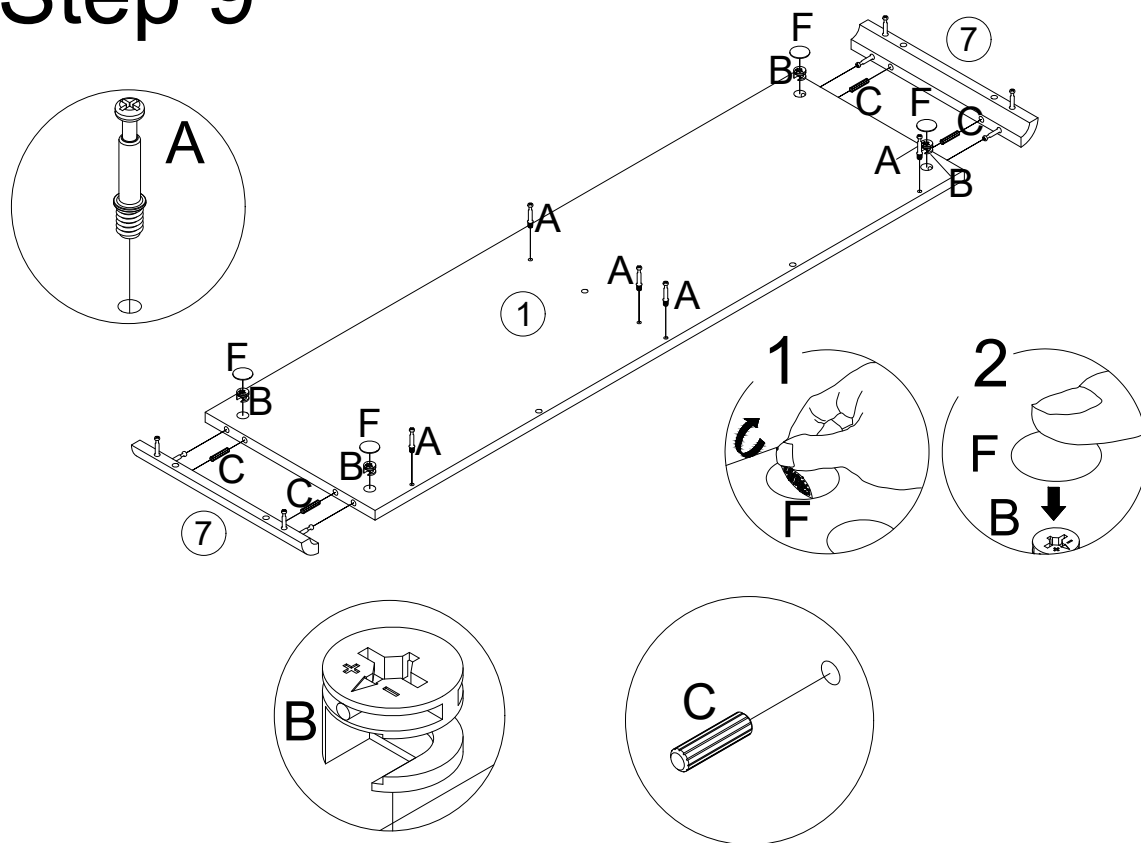
B	×8

C	×1

F	×2



Step 9



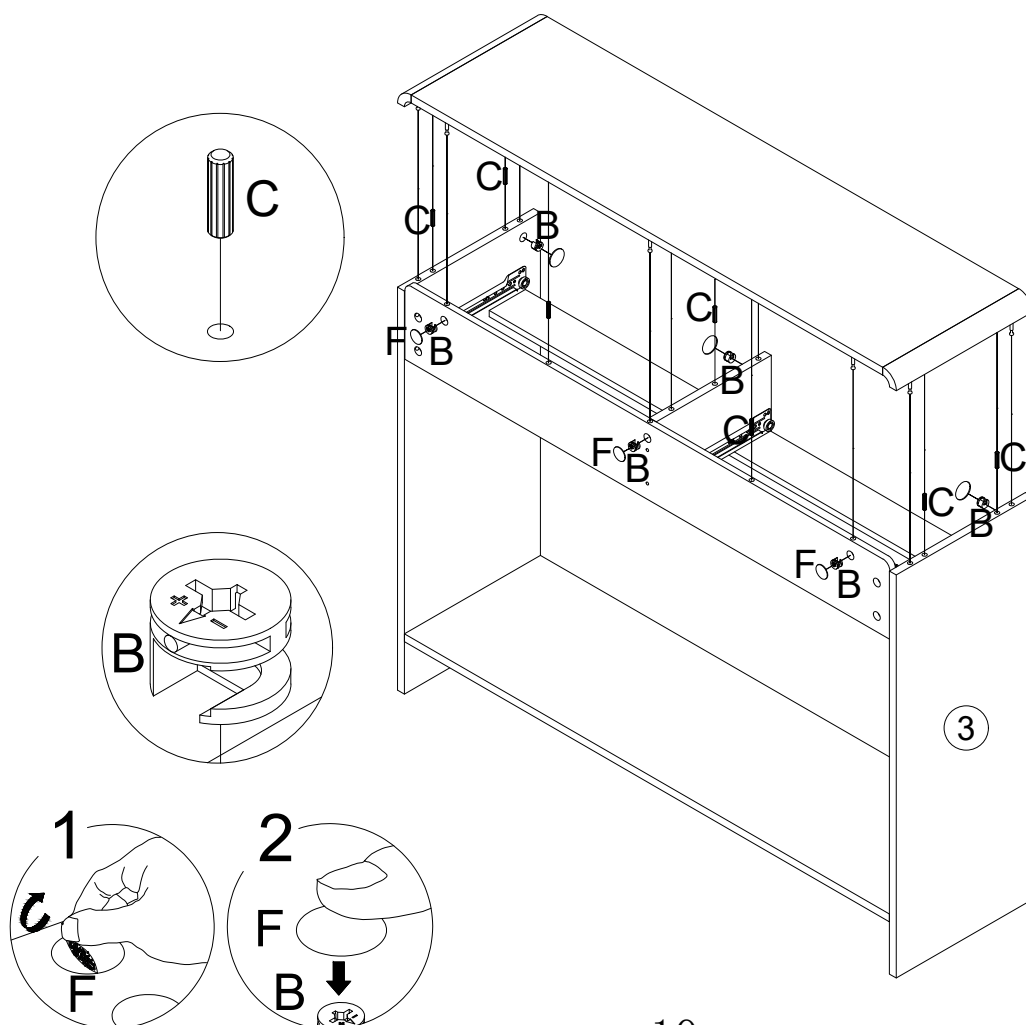
A	×5

B	×4

C	×4

F	×4

Step 10

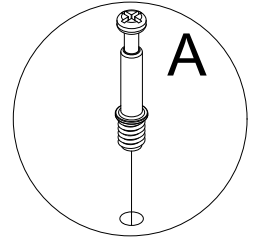
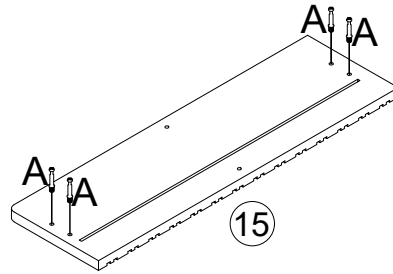
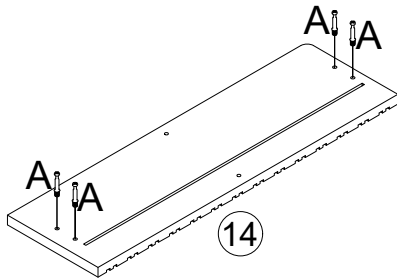
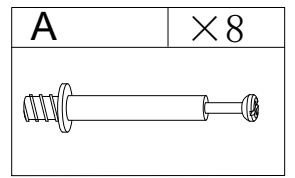


B	×9

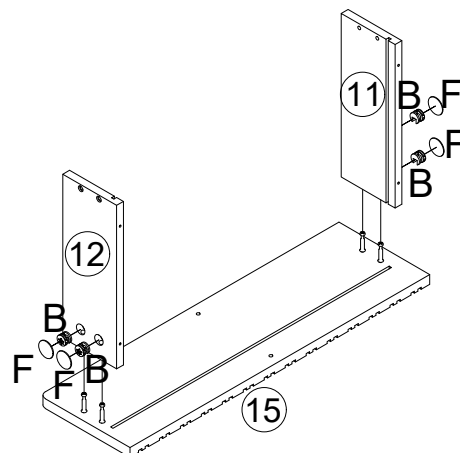
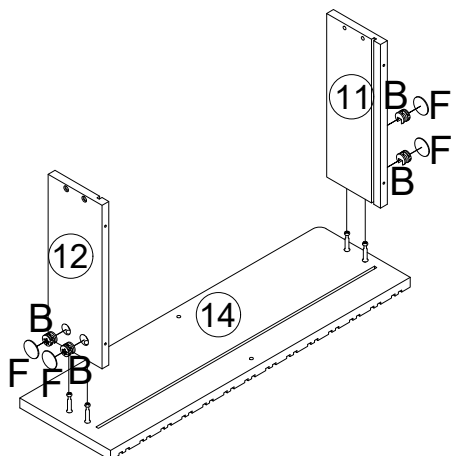
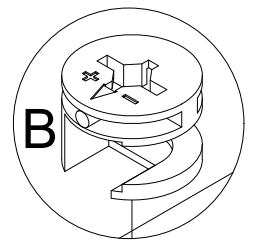
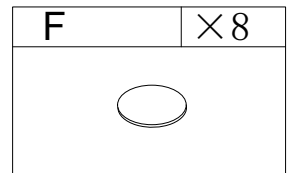
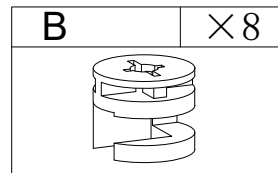
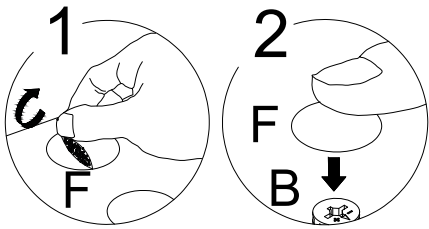
C	×7

F	×9

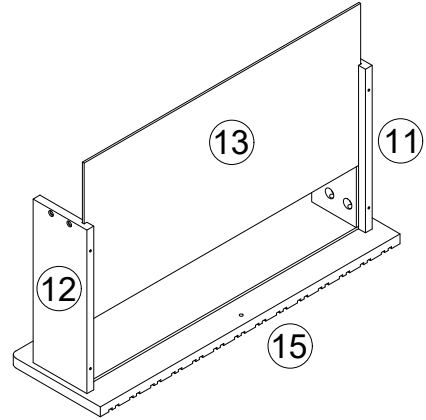
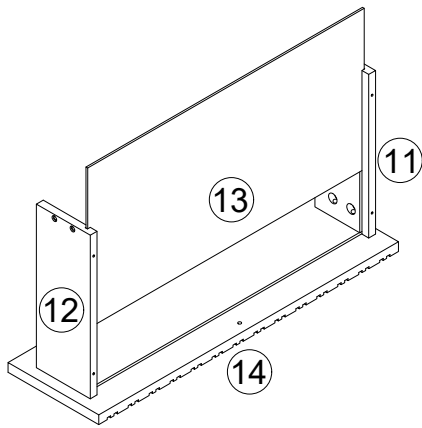
Step 11



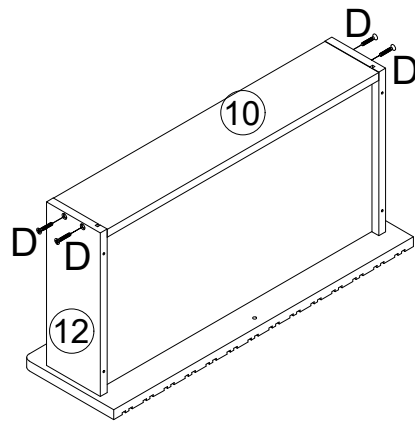
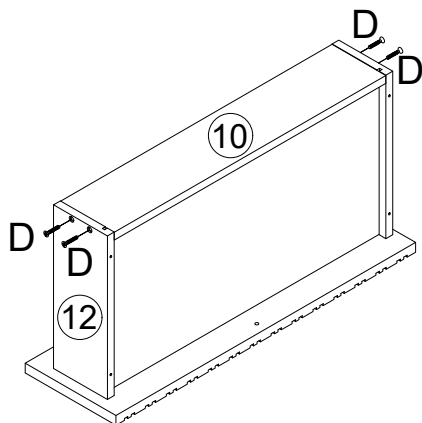
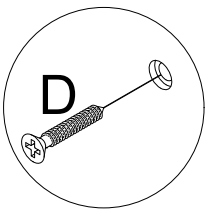
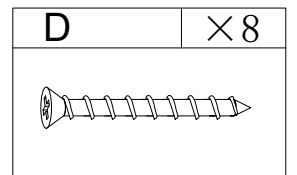
Step 12



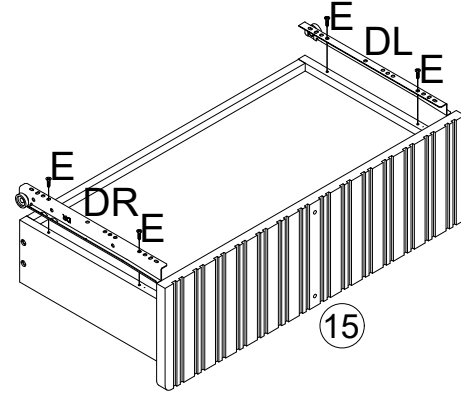
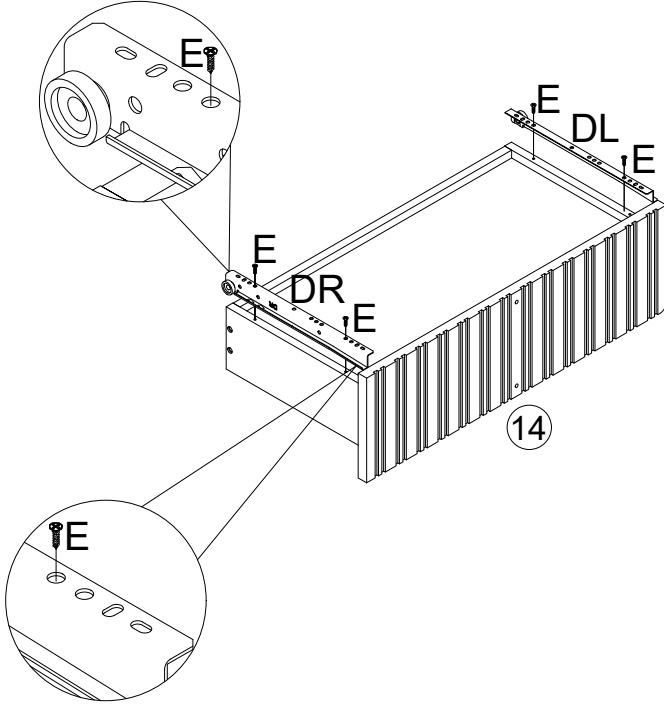
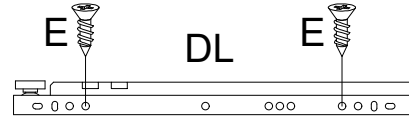
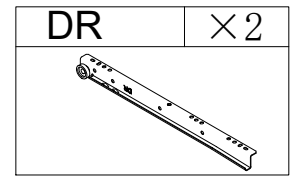
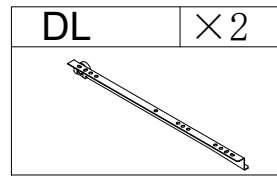
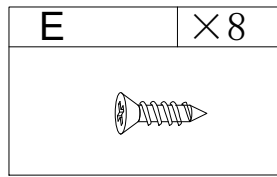
Step 13



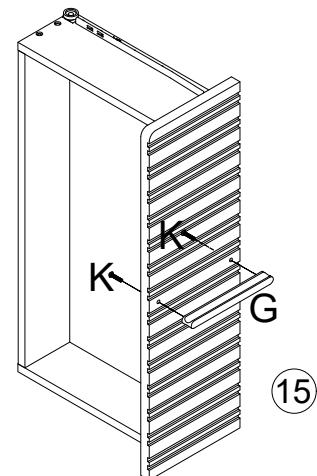
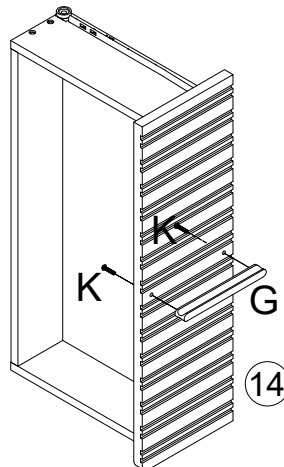
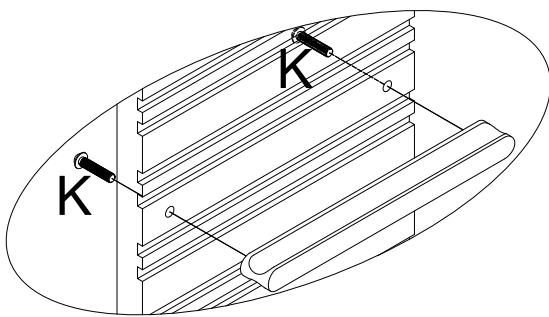
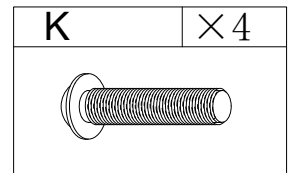
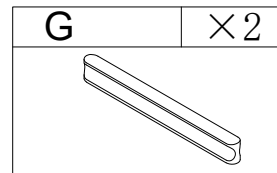
Step 14




Step 15

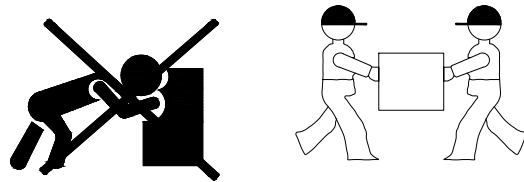
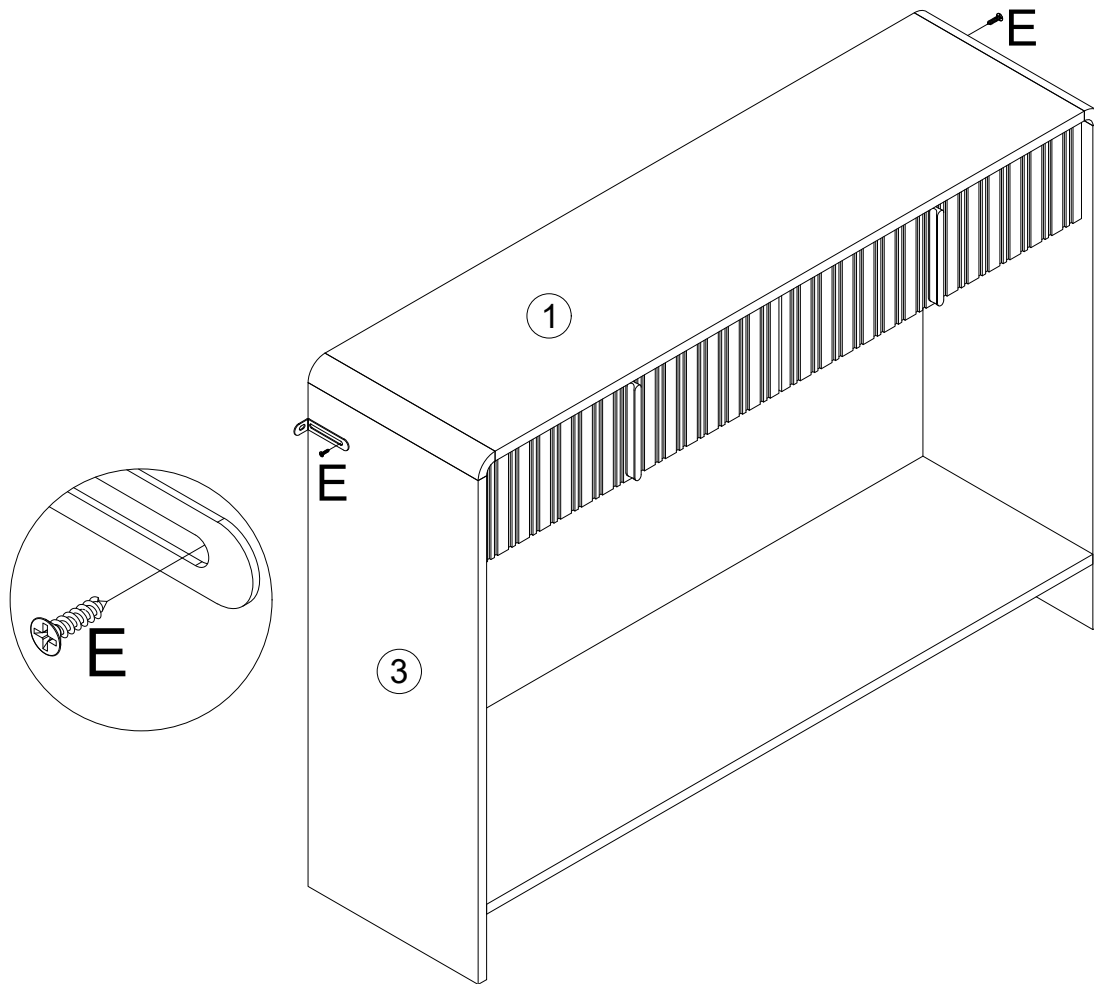


Step 16



Step 18

E	×2
	



Two people work together to move the table.
Make sure you lift it off the ground.
Don't push and pull.