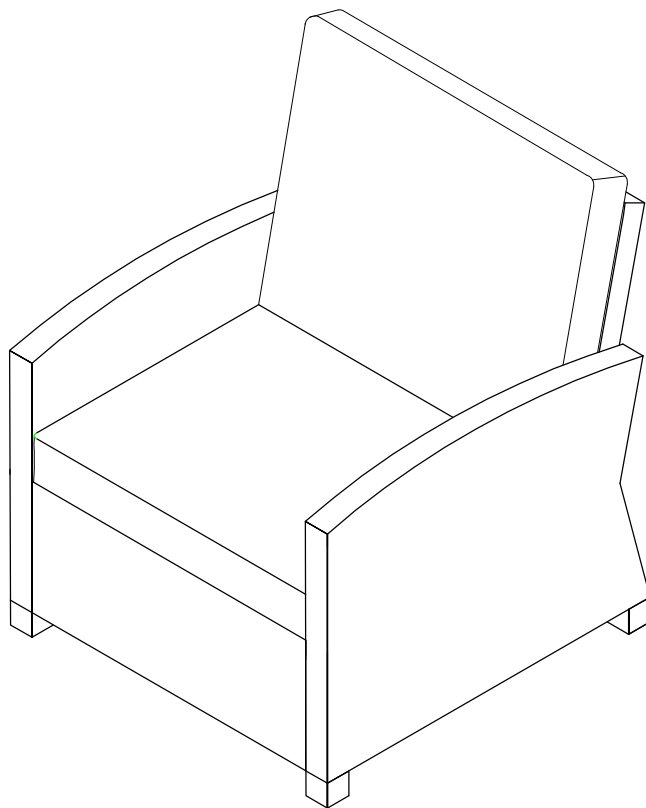
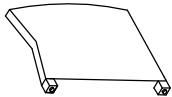
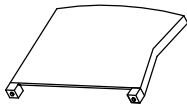
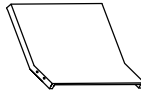
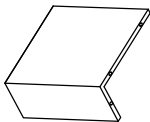
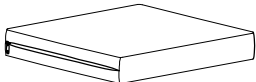

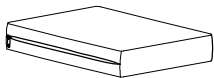



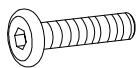
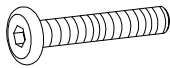
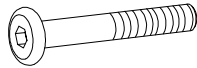
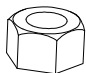

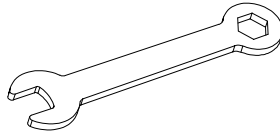

Biltmore Outdoor Wicker Arm Chair



PART LIST

 <p>Left Arm Panel</p>		 <p>Right Arm Panel</p>		 <p>Back Panel</p>	
A	1PC	B	1PC	C	1PC
 <p>Seat Panel</p>		 <p>Cover Of Seat Cushion</p>		 <p>Inner Of Seat Cushion</p>	
D	1PC	E	1PC	F	1PC
 <p>Cover Of Back Cushion</p>		 <p>Inner Of Back Cushion</p>			
G	1PC	H	1PC		

HARDWARE LIST

 <p>Short Bolt(M6*40mm)</p>		 <p>Medium Bolt(M6*55mm)</p>		 <p>Long Bolt(M6*65mm)</p>	
I	2PCS	J	4PCS	K	6PCS
 <p>Nut(M6mm)</p>		 <p>Washer(M6mm)</p>		 <p>Wrench(M6mm)</p>	
L	6PCS	M	18PCS	N	1PC
 <p>Allen Key(M6mm)</p>					
O	1PC				

EXTRA HARDWARE LIST

 I X1PC

 J X1PC

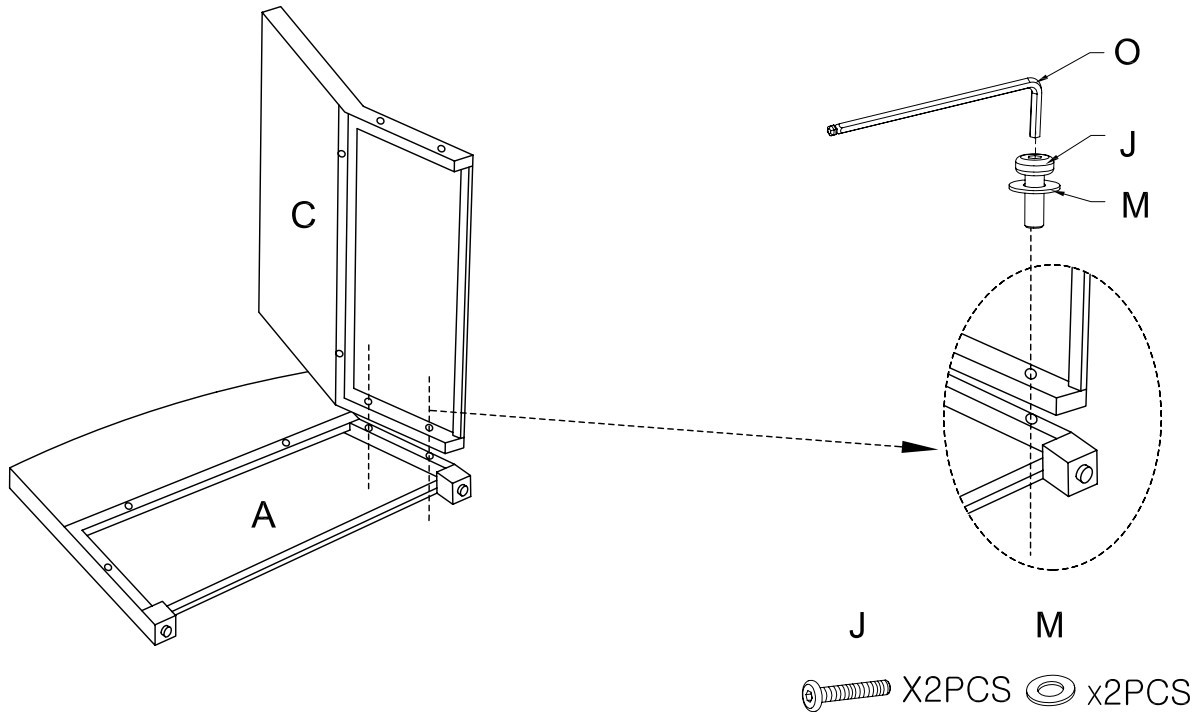
 K X2PCS

 L X2PCS

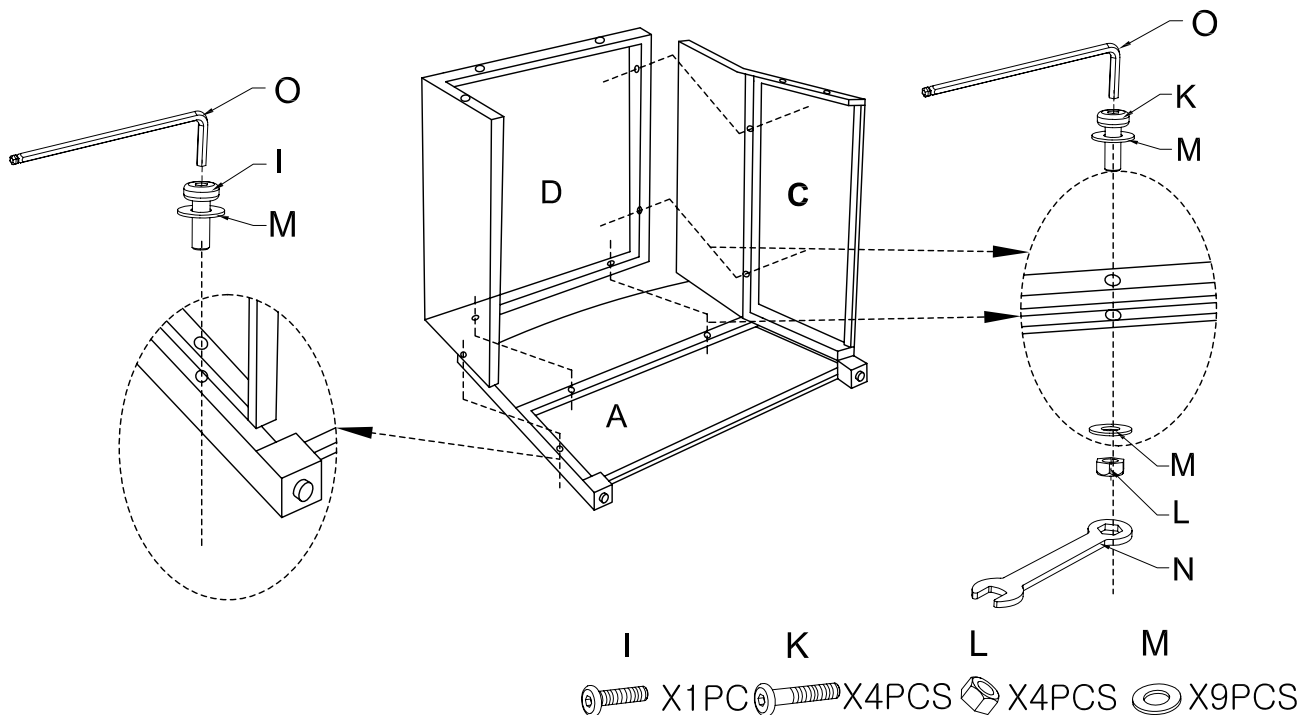
 MX3PCS

Step 1. Lay Left Arm Panel (A) down on a flat surface. Attach Back Panel(C) to Left Arm Panel(A) using the Medium Bolts(J), Washers(M) & Allen Key (O).

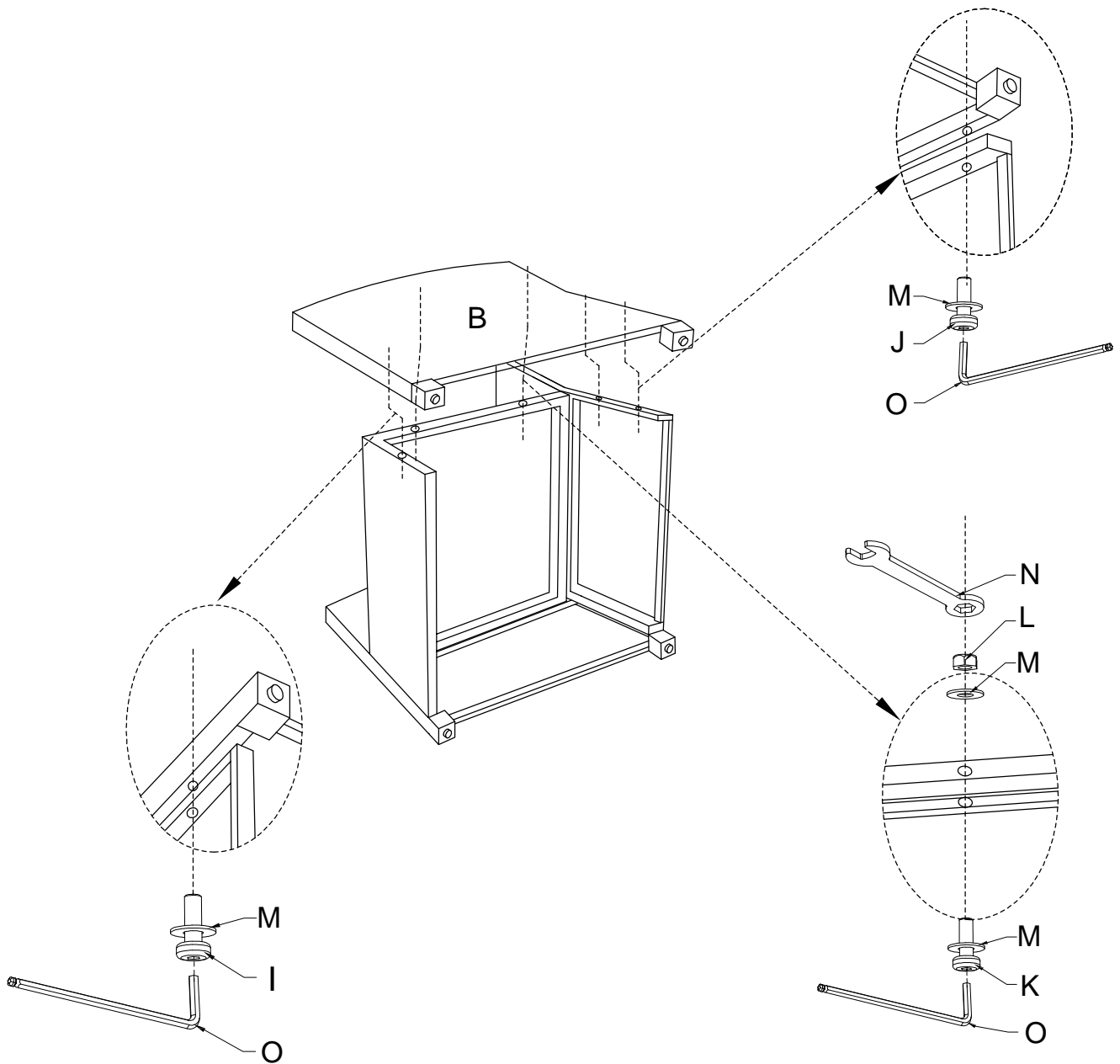
NOTE: Please do not fully tighten bolts until unit is fully assembled.


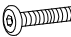





Step 2. Attach Seat Panel(D) to Left Arm Panel(A) and Back Panel (C) using the Short Bolts(I), Long Bolts(K), Washers(M), Nuts(L), Wrench (N) & Allen Key (O).

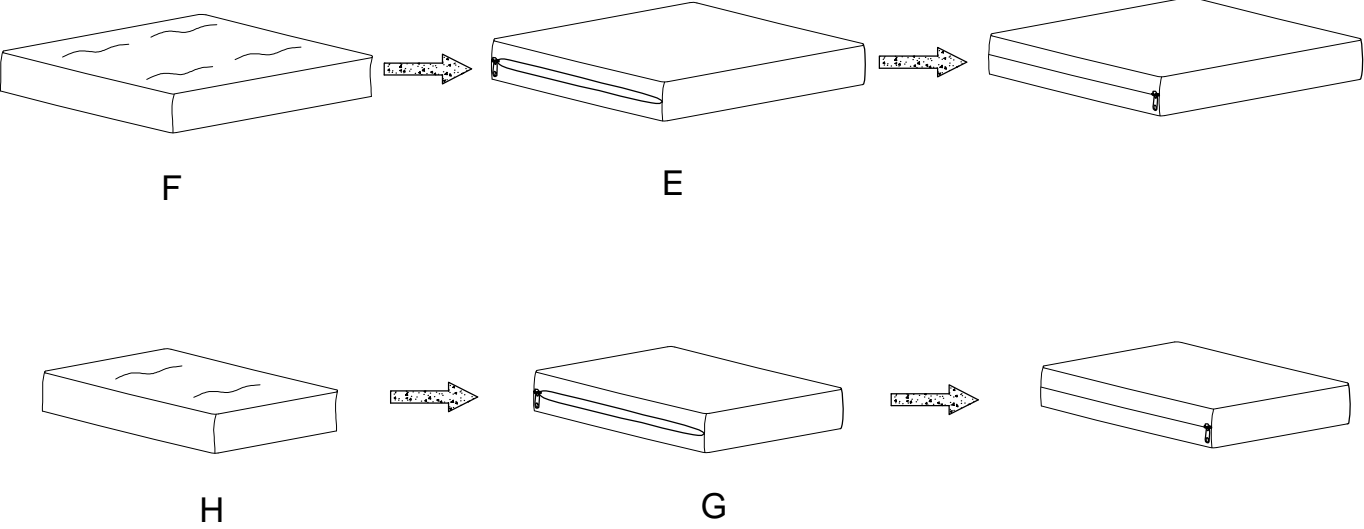


Step 3. Attach Right Arm Panel(B) to assembled parts(A,C&D) using Short Bolts (I),Medium Bolts (J),Long Bolts (K),Washers (M), Nuts (L),Wrench (N) and Allen Key (O) .



- | | | | | |
|--|---|---|---|---|
| I | J | K | L | M |
|  X1PC |  X2PCS |  X2PCS |  X2PCS |  X7PCS |

Step 4. Insert Inner Of Seat Cushion (F) into Cover Of Seat Cushion (E).
Insert Inner Of Back Cushion (H) into Cover Of Back Cushion (G).



Step 5. Place Seat Cushion and Back Cushion on the chair.

