
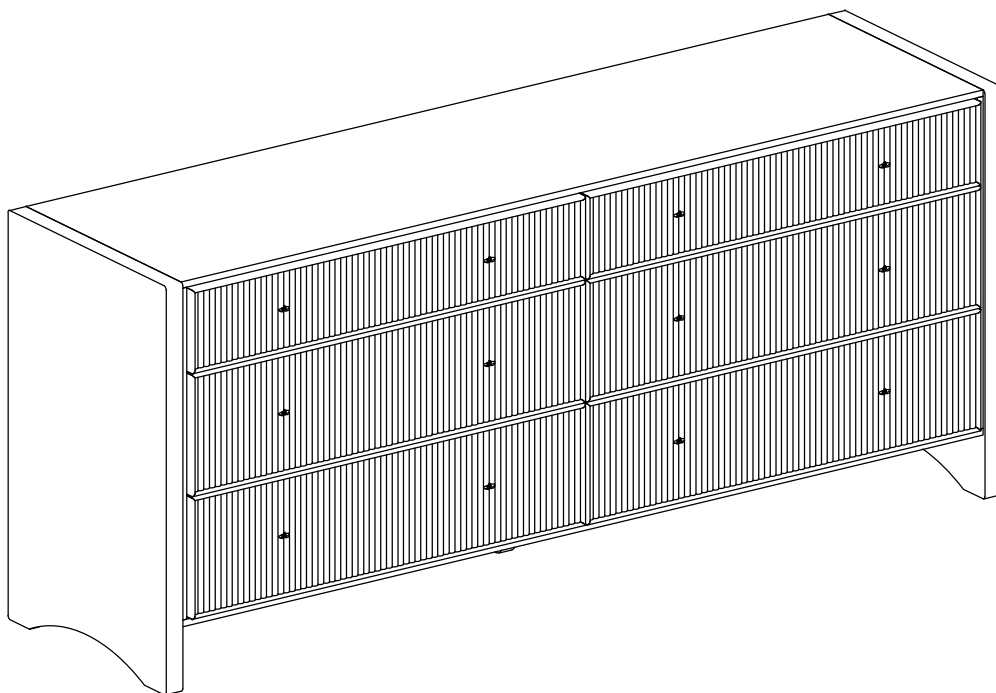
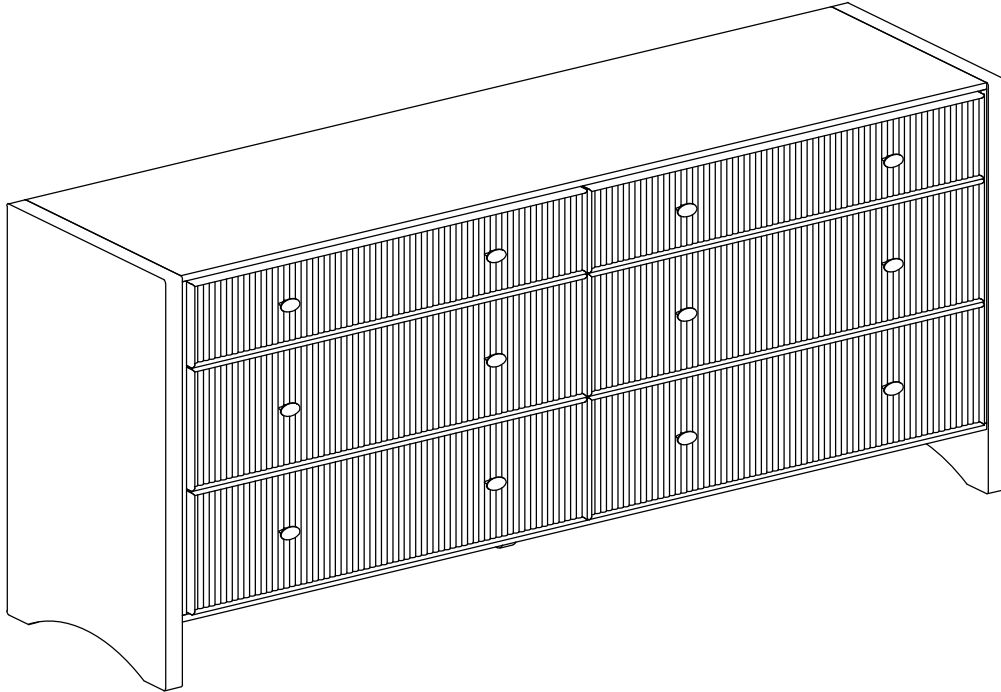


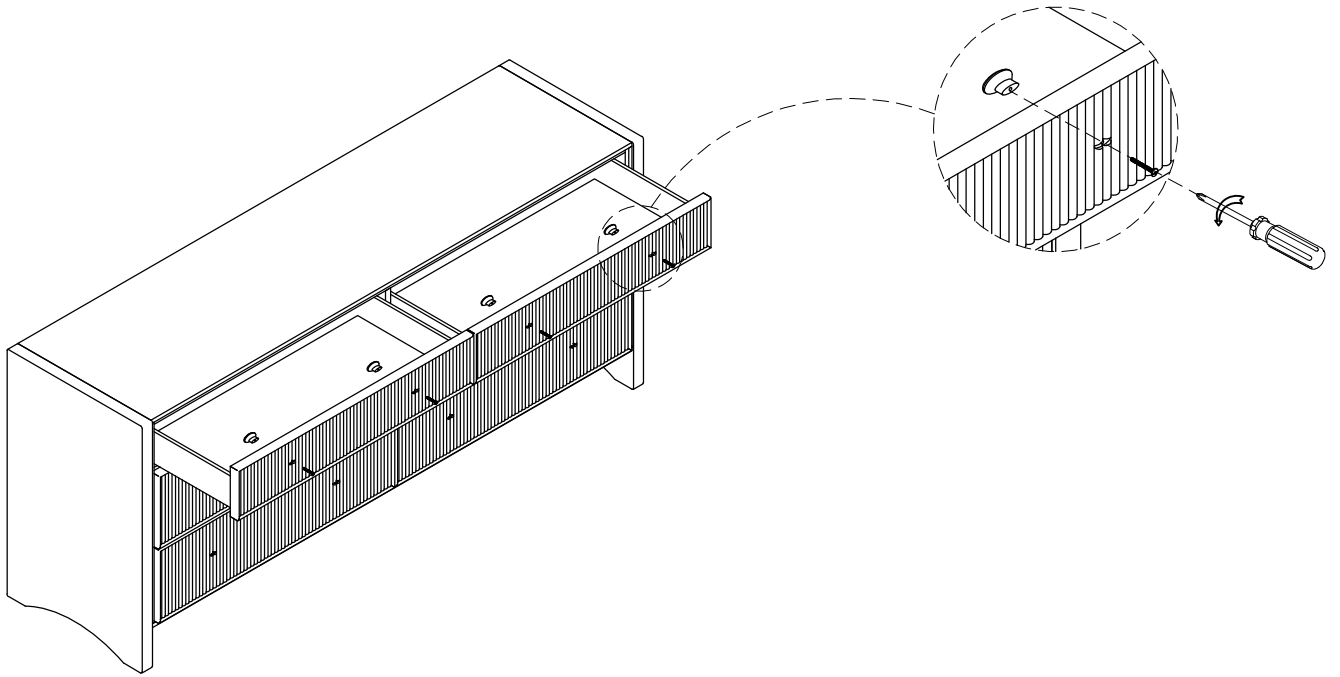
ASSEMBLY INSTRUCTION FOR MODEL: HAZEL 6 DRAWER DRESSER

A		Tipping Hardware	2 Set
---	--	------------------	-------

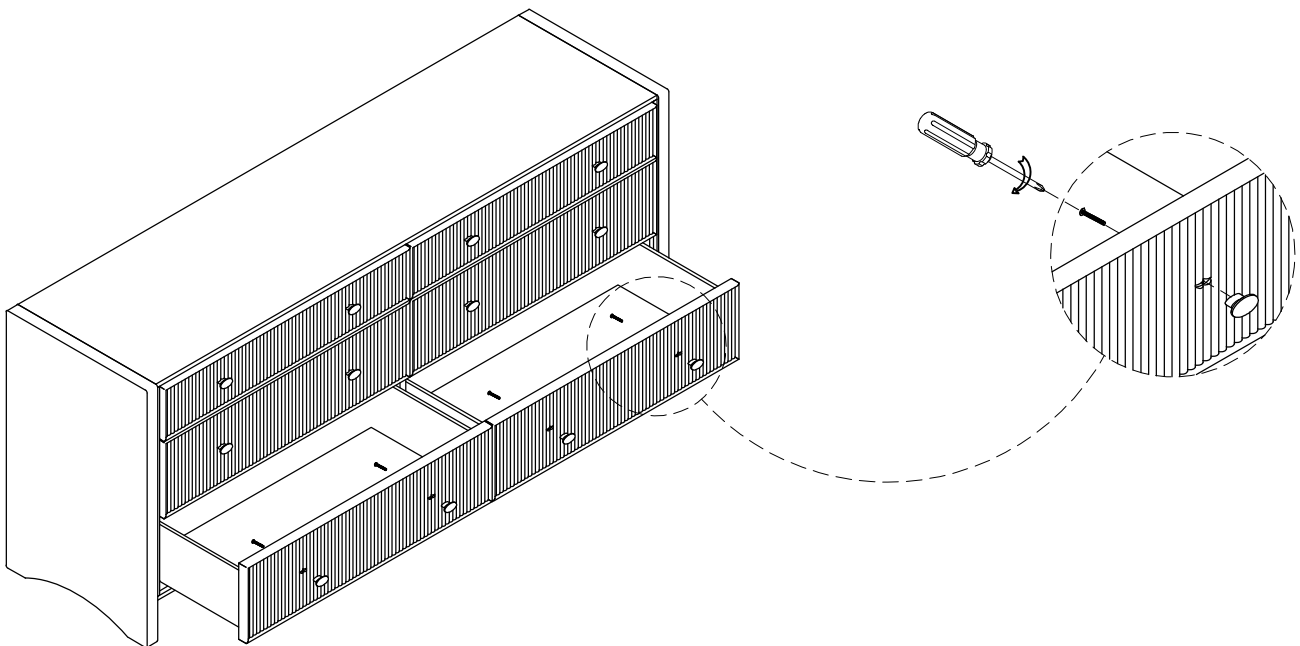


ASSEMBLY INSTRUCTION FOR MODEL: HAZEL 6 DRAWER DRESSER

STEP 1



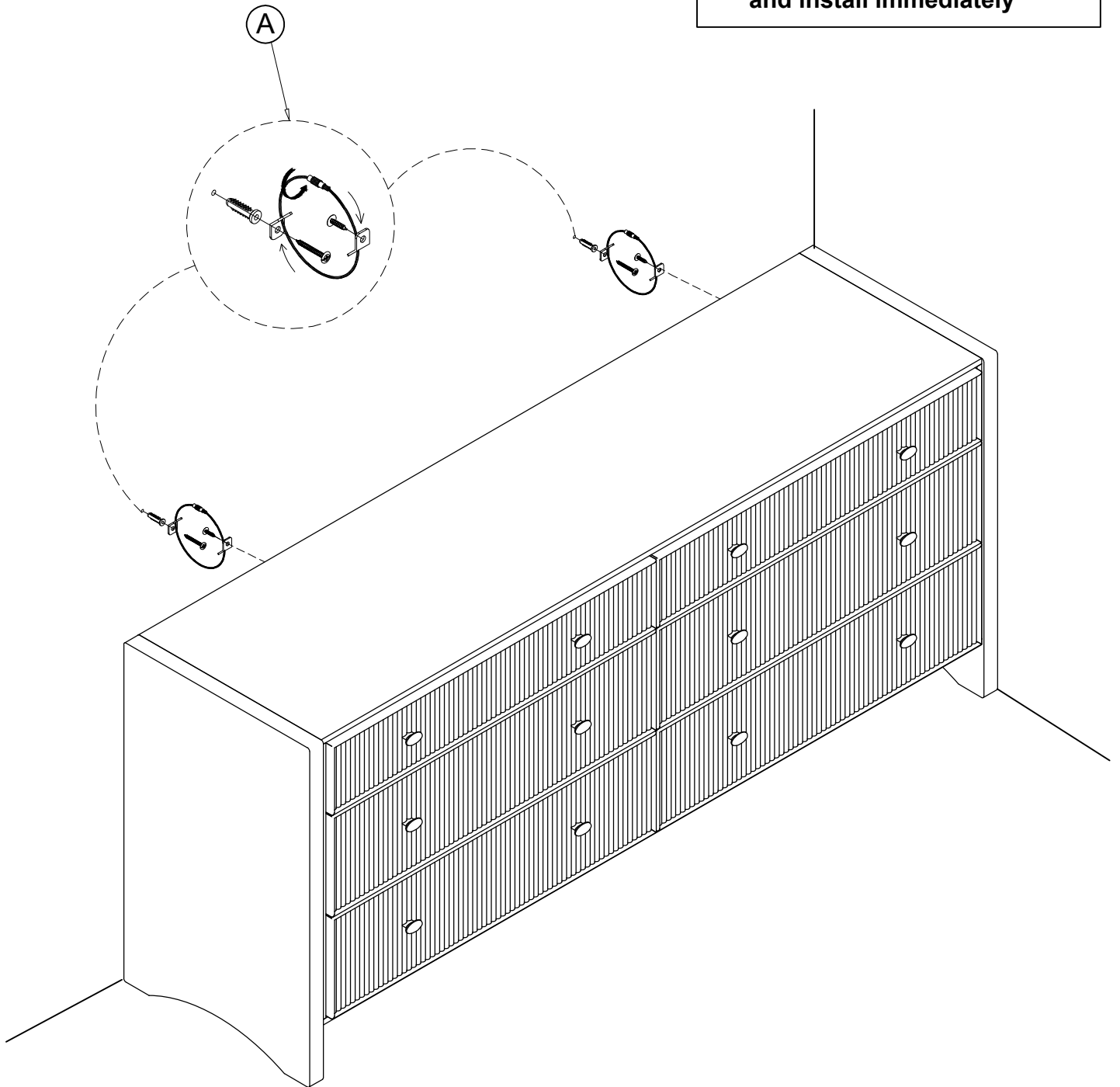
STEP 2



**ASSEMBLY INSTRUCTION FOR
MODEL: HAZEL 6 DRAWER DRESSER**

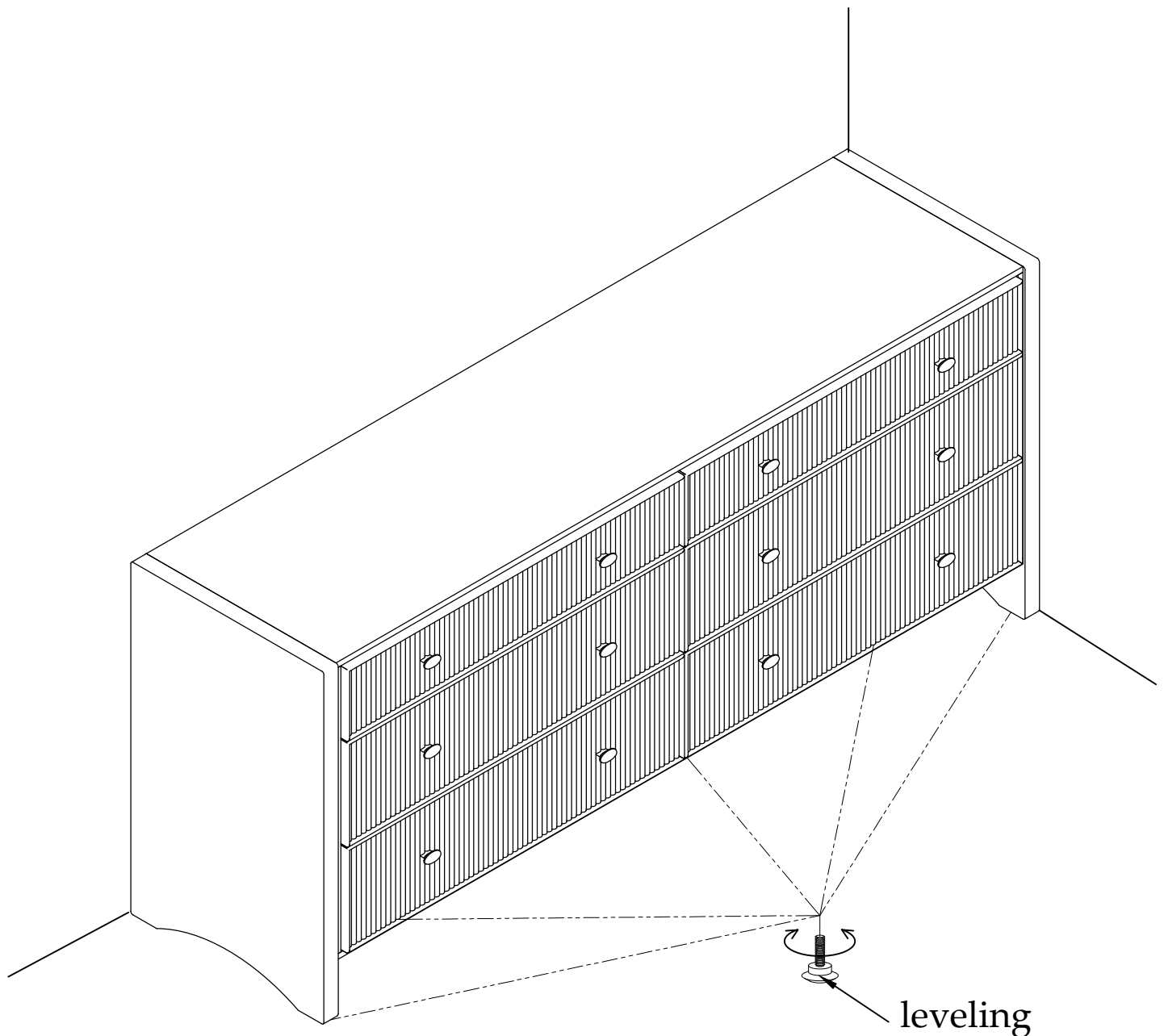
STEP 3

★ **REMARK:** There is a tip restraint kit provided on the back of this product please read the direction thoroughly and install immediately



ASSEMBLY INSTRUCTION FOR MODEL: HAZEL 6 DRAWER DRESSER

STEP 4



Adjusting Floor Levelers

Your furniture has been expertly crafted and pre-adjusted by professionals. However, slight shifts can occur during transportation. If you notice that the doors are not perfectly aligned or the furniture wobbles, a quick adjustment can help ensure stability and a seamless look.

Adjust the Floor Levelers

Check for Stability - Place the furniture in its final position on a level surface. If it wobbles or doesn't sit evenly, the floor levelers need adjusting.

Locate the Levelers - These are small adjustable feet found at the bottom corners of your furniture.

Adjust as Needed - Using your hand or a wrench, turn the levelers clockwise to raise or counterclockwise to lower the furniture. Make small adjustments and check stability after each turn.