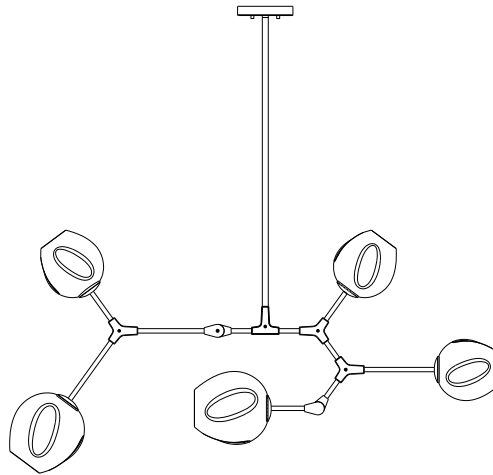


# Assembly Instruction

**CAUTION:** Read instruction carefully and turn electricity off at main circuit breaker panel before beginning installation.



## Care and Cleaning

To clean the outside of the fixture, use a dry or slightly dampened clean cloth (use clean water, never a solvent) to wipe the surface of the fixture.



To clear the inside of the fixture, first disconnect power to the fixture by turning off the circuit breaker or by removing the fuse at the fuse box. Next, use a dry or slightly dampened clean cloth (use clean water, never a solvent) to wipe the interior surface of the fixture.

Do not use any cleaners with chemical, solvents or harsh abrasives. Use Only a dry soft cloth to dust or wipe carefully.

Estimated Assembly Time: 30 minutes

## Part List and Hardware List

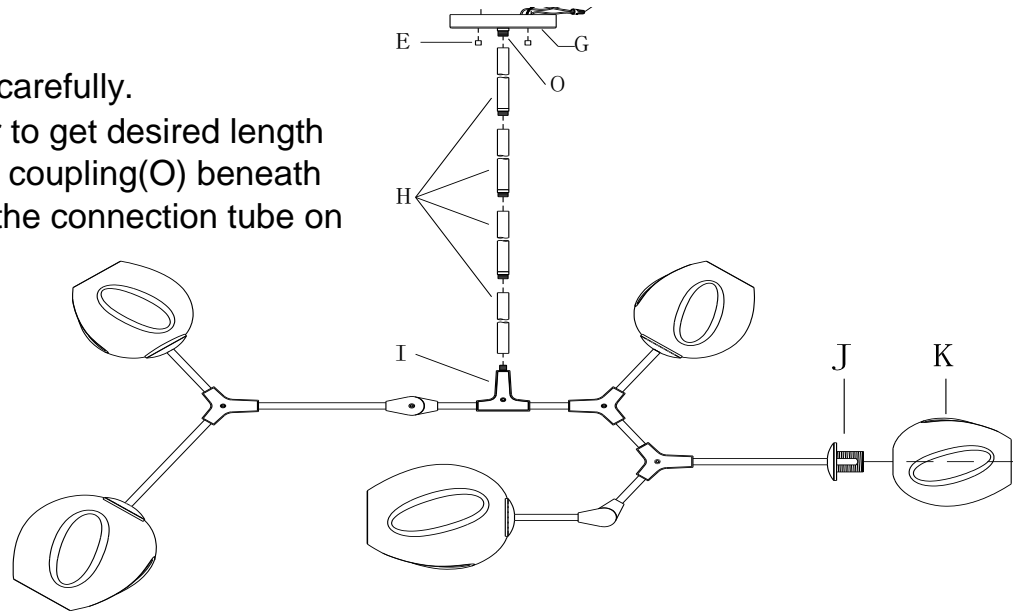
PIECE	DESCRIPTION	PICTURE	QUANTITY	PIECE	DESCRIPTION	PICTURE	QUANTITY
A	mounting screw		2X	H	tube		12" - 2X 6" - 2X
B	mounting bracket		1X	I	main fixture		1X
C	machine screw		2X	J	lampholder		5X
D	wire connector		3X	K	glass		5X
E	screwed ball		2X	L	socket ring		5X
F	ground screw		1X	M	bulb		5X

G	canopy		1X	O	coupling		1X
---	--------	--	----	---	----------	--	----

## Installation

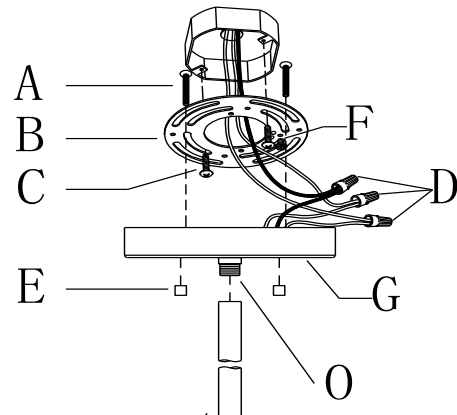
### Step 1

Unpack all parts from cartons carefully.  
Connect the tubes(H) together to get desired length and screw the top end into the coupling(O) beneath the canopy,the bottom end to the connection tube on top of main fixture(I) .



### Step 2

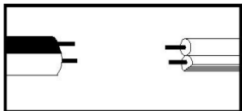
1. Fix the mounting bracket(B) to the outlet box with machine screw(C).  
Attach the Canopy(G) to the Mounting bracket (B) and fix it by turning the screwed ball (E).



### Step 3 Wire connection

Make wire connections, with wire connectors(D), following the reference chart listed below.

Connect,Hot,Black or Red outlet Supply Wire to:	Connect,Neutral,White Outlet Supply Wire to:
Black	White
*Parallel Cord(round&smooth)	*Parallel Cord(square&ridged)
Clear,Brown,Gold or Black without Tracer(colored stripes)	Clear,Brwn,Gold or Black without Tracer(colored stripes)
Insulated Wire(not green)with copper metal conductor	Insulated Wire(not green)with Silver metal conductor



\*Note: When parallel wire(SPTI&SPTII)is used. The neutral wire is square shaped and ridged and the hot wire will be round in shape and smooth.(See illustration on left)



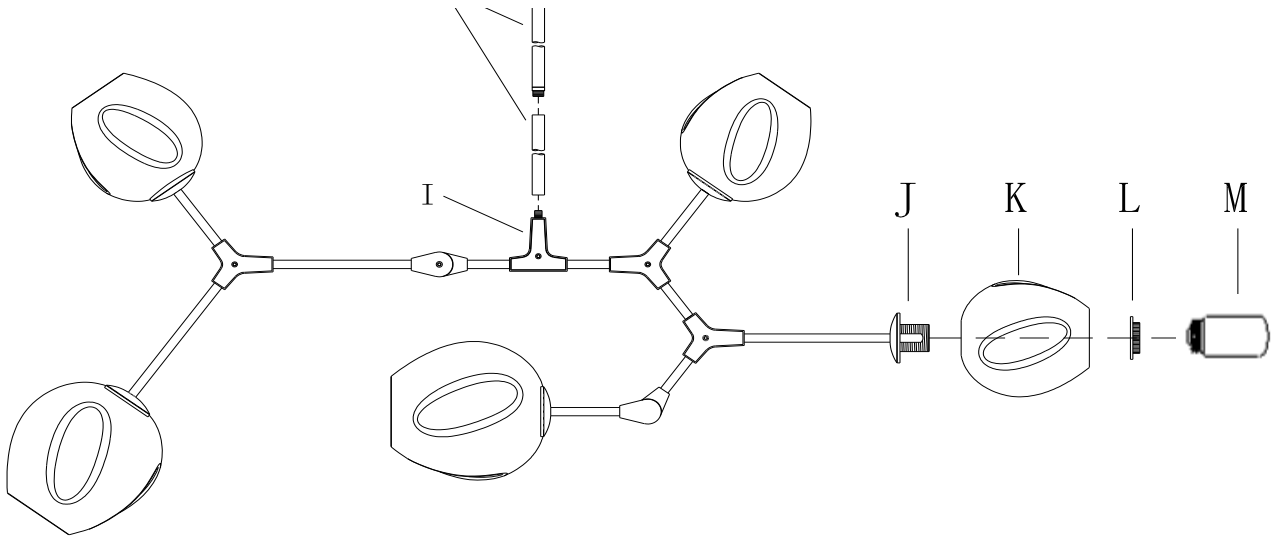
#### Grounding Instructions:

- For installation in the United States: Wrap ground wire from outlet box around green ground screw on mounting bracket, no less than 2" from wire end. Tighten ground screw. If fixture is supplied with a ground wire, connect to outlet ground wire with a wire connector.
- For installation in Canada: If fixture is supplied with ground wire, wrap ground wire around green grounding screw on mounting bracket. Tighten ground screw.

### Step 3

Fix the glass shade(K) to the lampholder(J) with socket ring(L).

Install bulbs(M). Be sure to use light bulb(s) with wattage no greater than specified on this fixture. Always make sure that electrical current is turned off before changing bulbs.



**PLEASE USE TYPE "A" BULB MAX 40-WATT  
OR EDISON BULB MAX 40-WATT  
OR CFL BULB MAX 13-WATT OR LED MAX 9-WATT  
THERE ARE 5PCS 25W EDISON BULB IN THE BOX.**

### Step 4

Consult a qualified electrician to ensure correct branch circuit conductor

ENJOY YOUR LAMP