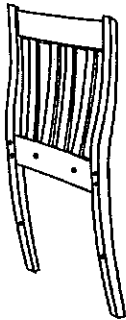


TOLL FREE : 1 888 944 8396

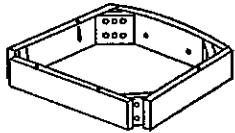
LIST OF PARTS

A- Chair back



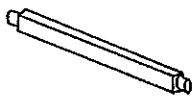
1 PC

B- Seat Framer



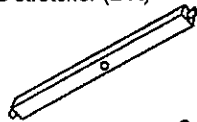
1 PC

C- Middle stretcher



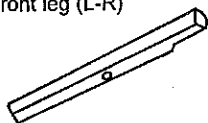
1 PC

D- Side stretcher (L-R)



2 PCS

E- Front leg (L-R)



2 PCS

F- Chair seat



1 PC

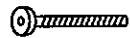
LIST OF HARDWARE

1- Short JCBC bolt



φ 6x40mm (2 PCS)

2- Long JCBC bolt



φ 6x70mm (8 PCS)

3- Flat Washer



φ 6.5/φ 19 (10 PCS)

4- Short screw



φ 3x15mm (2 PCS)

5- Long screw



φ 4x35mm (8 PCS)

6- Allen key



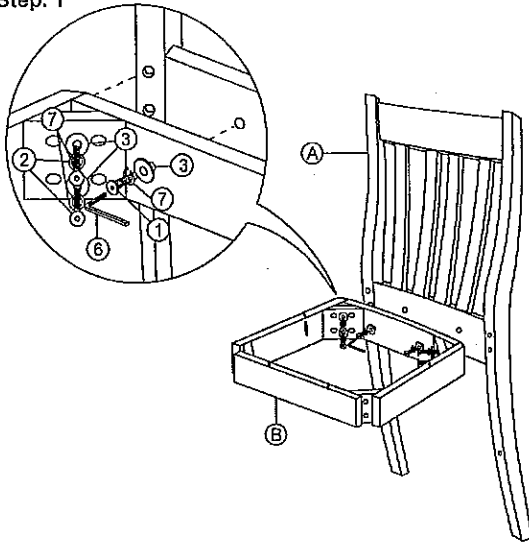
4 mm (1 PC)

7- Lock Washer

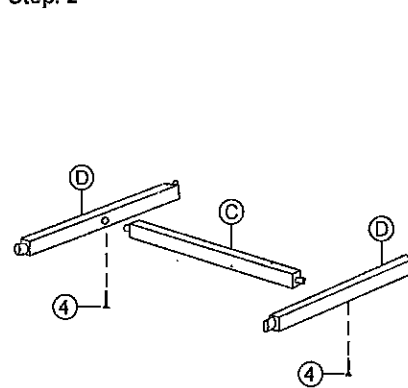


φ 6.5/φ 11 (10 PCS)

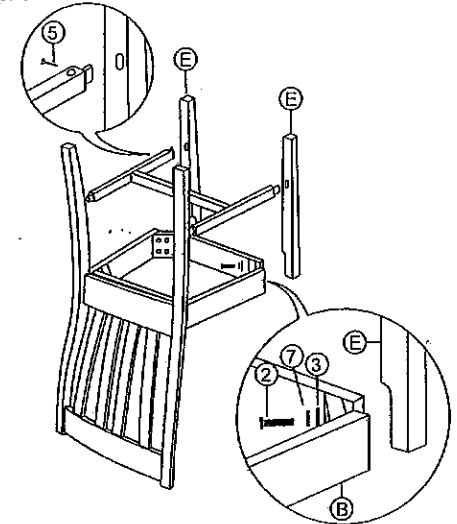
Step. 1



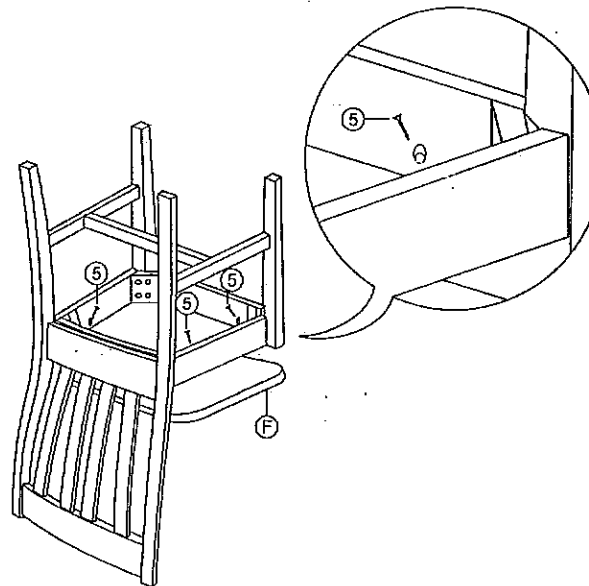
Step. 2



Step. 3



Step. 4



Step. 5

