



**Veil™**  
 38-1/2" oval semi-recessed vessel bathroom sink, no  
 overflow  
**K-20705-N**

**Features**

- Large asymmetrical oval basin.
- Trough-style basin allows for two-faucet application or striking large vanity installation.
- No faucet holes; requires wall- or counter-mount faucet.
- Innovative Supramic technology provides superior strength and ultra-thin edge profiles.
- Includes color-matched brass drain cover.
- Coordinates with other products in the Veil collection.

**Material**

- Fireclay with Supramic technology.

**Installation**

- Vessel.

**Required Products/Accessories**

For above-counter installation  
 K-7114 Pop-Up Drain  
 K-7124 Pop-Up Clicker Drain

**Recommended Products/Accessories**

K-23726 Drain treatment  
 K-23725 Cast iron cleaner

**Included Components**

Additional Components:  
 1331521-\* Drain Cover Kit



**ADA** **CSA B651** **OBC**

**Codes/Standards**




ASME A112.19.2/CSA B45.1  
 ADA  
 ICC/ANSI A117.1  
 CSA B651  
 OBC

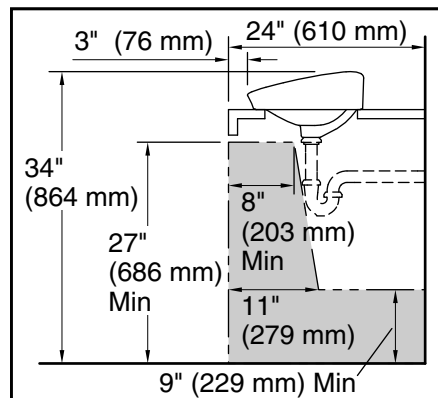
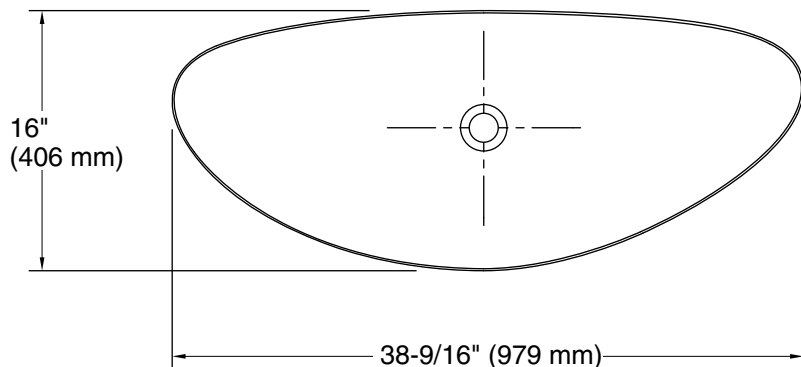
**KOHLER® One-Year Limited  
 Warranty**

See website for detailed warranty information.

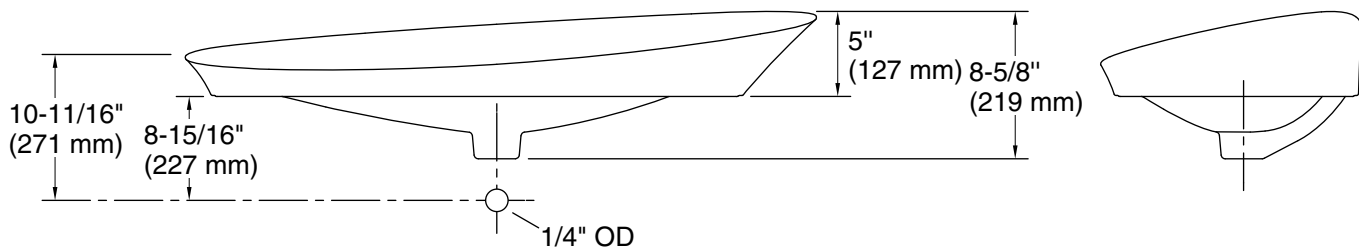
**Available Colors/Finishes**

*Color tiles intended for reference only.*

Color	Code	Description
	0	White
	96	Biscuit
	7	Black Black™



Recommended ADA Installation



## Technical Information

All product dimensions are nominal.

Installation:	Vessel
Bowl area:	Bowl depth: 3-1/2" (89 mm) Water depth: 2-13/16" (71 mm)
Drain hole:	1-3/4" (44 mm)
Template:	1317552-7, not required, included

## Notes

Install this product according to the installation instructions.

**NOTICE:** Countertop manufacturer or cutter must use the cut-out template provided with the product, or a current one provided by Kohler Co. (call 1-800-4-KOHLER). Kohler Co. is not responsible for cutout errors when the incorrect cut-out template is used.

ADA, OBC, CSA B651 compliant when installed to the specific requirements of these regulations.