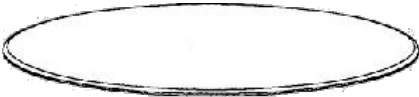


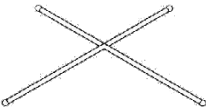
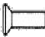






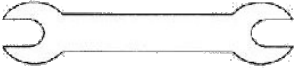


ovela

Eames Replica Dining Table OVEAMTBLWHA Quick Start Guide

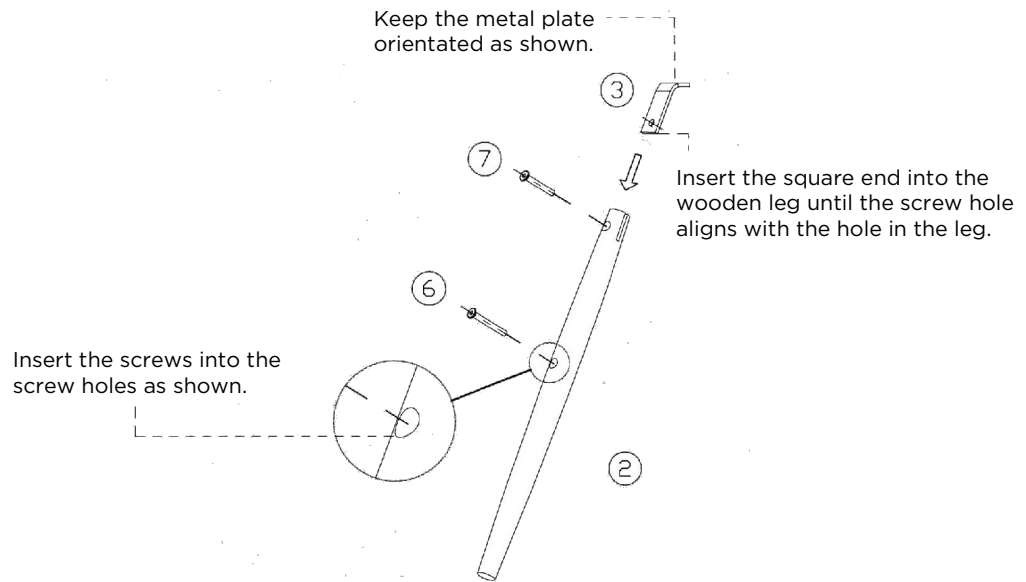
Parts List

Part Number	Picture	Quantity	Extras (if applicable)
1		1	-
2		4	-
3		4	-
4		4	-
5		4	1
6		4	1
7		4	1
8		4	1
9		12	1
10		4	1
		1	-
		1	-

Assembly

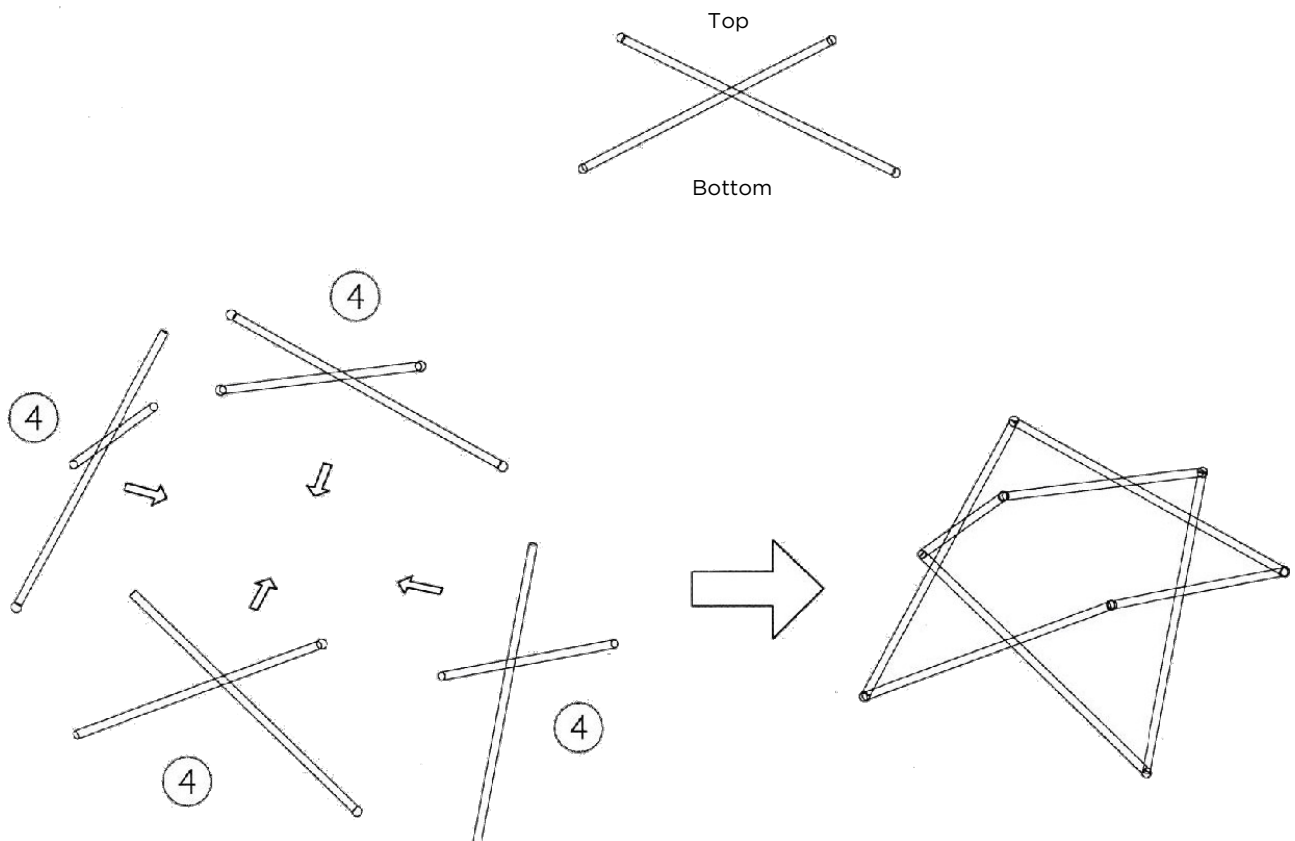
Step One

Insert the metal plate into the wooden legs as shown, then insert the screws.



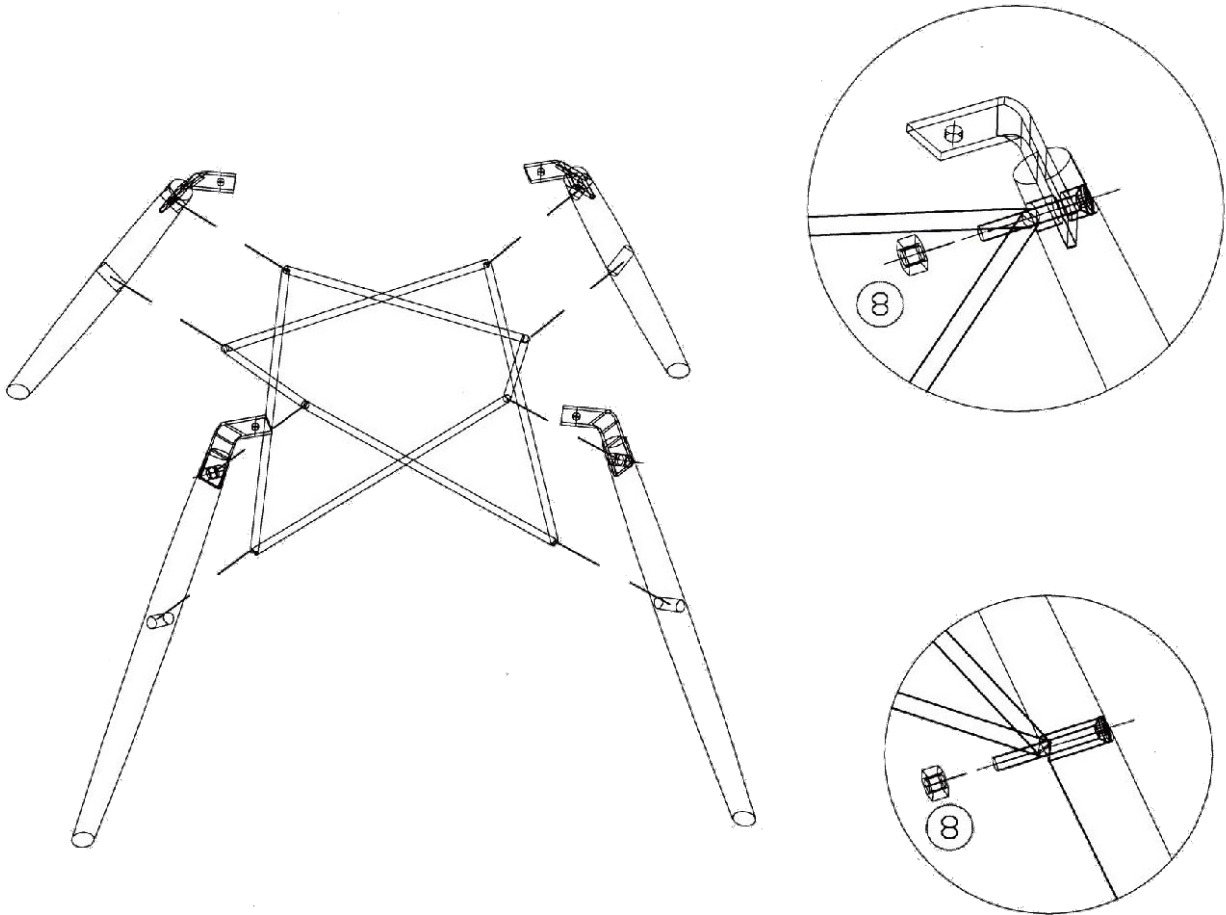
Step Two

Before assembling the reinforced frame and wooden legs, identify the direction of the reinforced frame first.



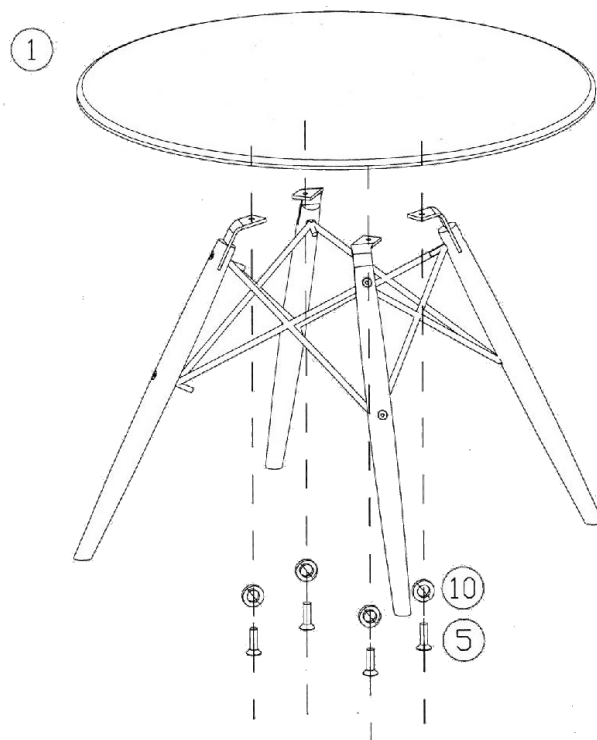
Step Three

Assemble the wooden legs with the steel frames, then tighten the nuts to fasten them.



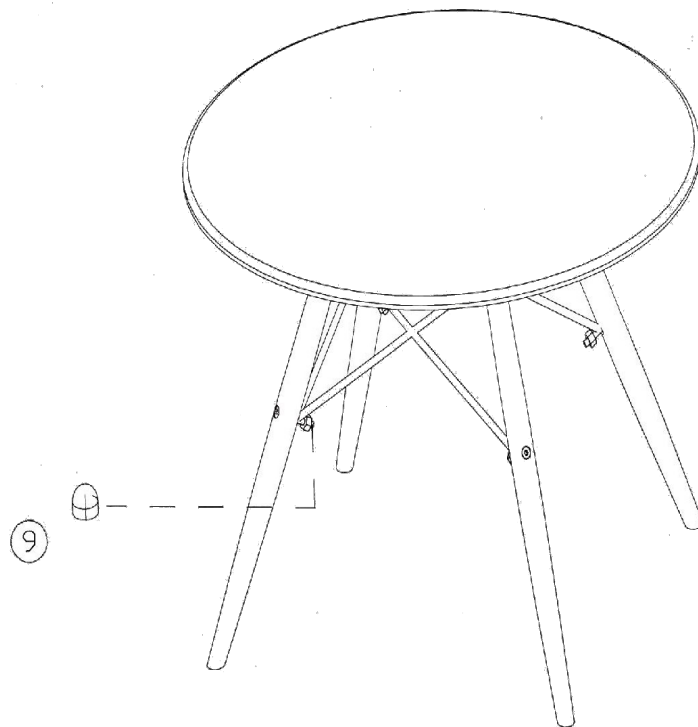
Step Four

Assemble the table top to the frame and fasten it.



Step Five

Finally, cover all of the nuts with caps to round them off.



Your table is now complete!

Please check that it feels sturdy and stable before use.

If you have any questions or concerns regarding the use of this product, please contact the Kogan.com customer support team.