

Bathroom Vanity

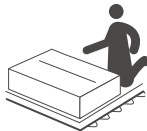
ASSEMBLY INSTRUCTIONS

Notice:

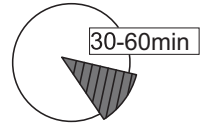
1. Follow the installation instructions. Please confirm all accessories are preset before installation.
2. Do not fully tighten the screws during initial assembly. Fully tighten screws only once all pieces which are correctly assembled.
3. If you encounter any problems during installation, please contact our customer service.
4. Please unbox the item from the side with an open-label and put a carpet on the floor to avoid scratching it.



Recommended installers : 2



Put a carpet on the floor before unpacking

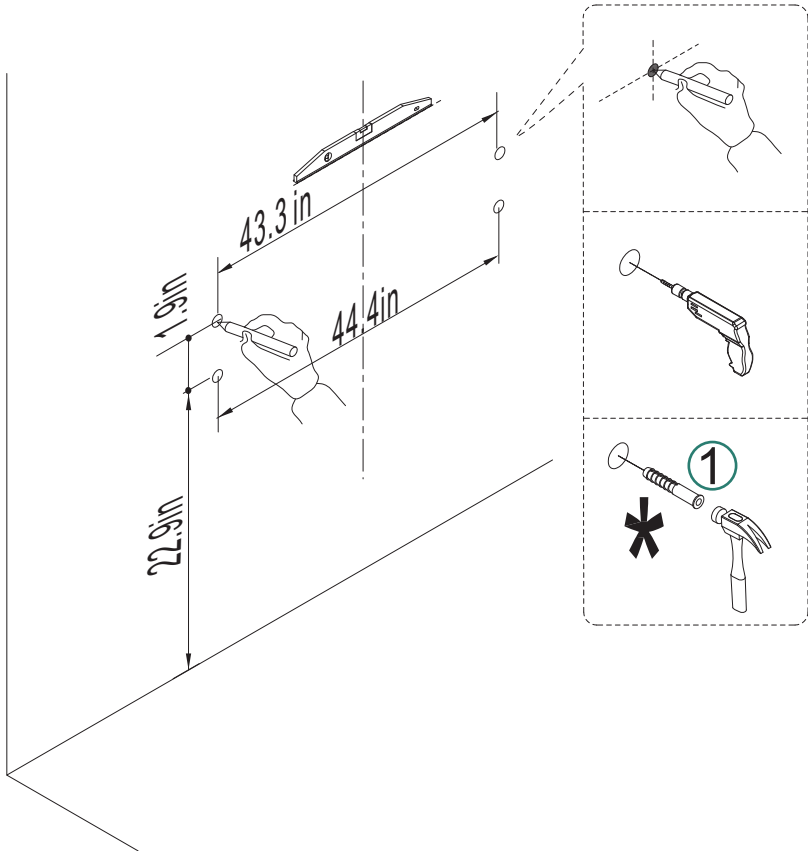
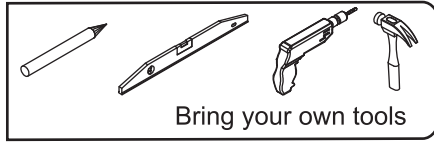
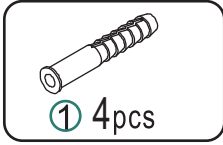


Estimate installation time:
30 minutes

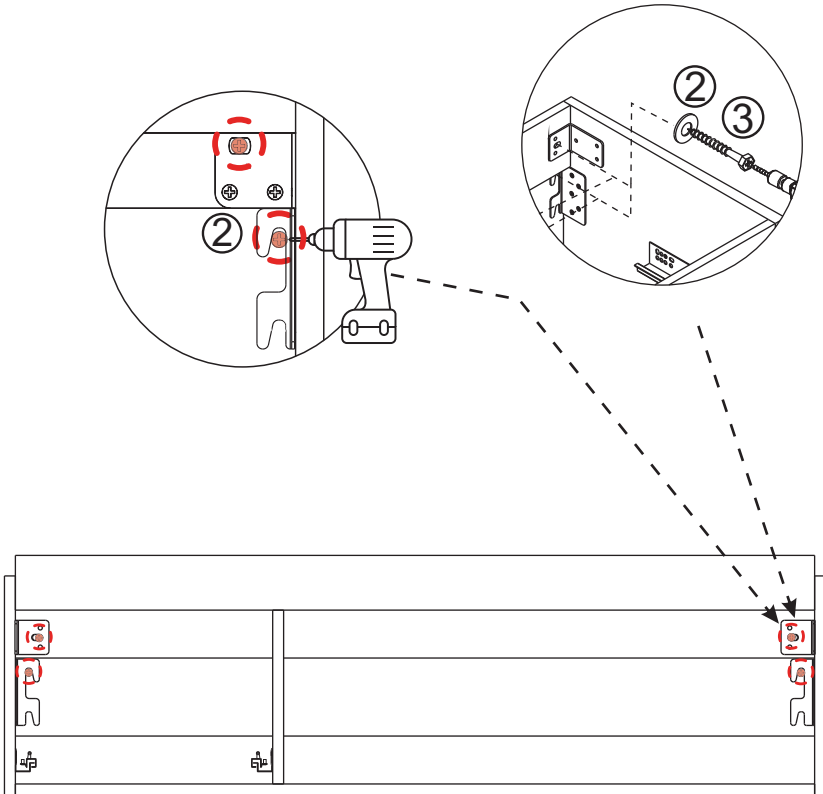
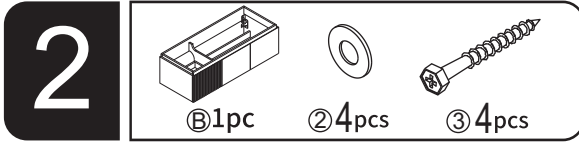
Item no.	Reference Image	Qty	Item no.	Reference Image	Qty
A		x1	3		x4
B		x1	4		x6
1		x4			
2		x4			

ASSEMBLY INSTRUCTIONS

1

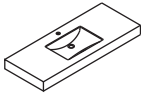


ASSEMBLY INSTRUCTIONS

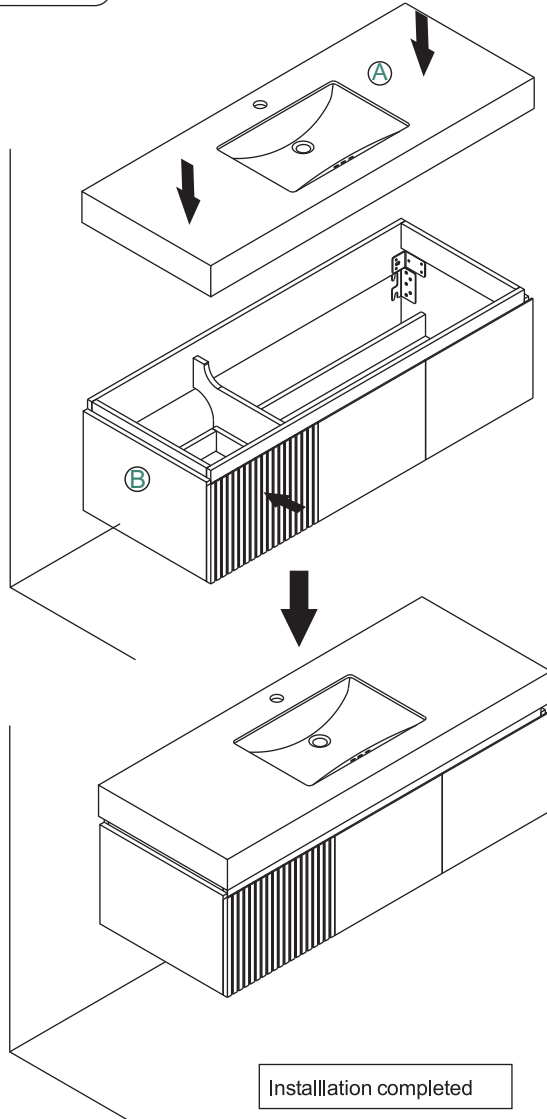


ASSEMBLY INSTRUCTIONS

3



Ⓐ 1pc

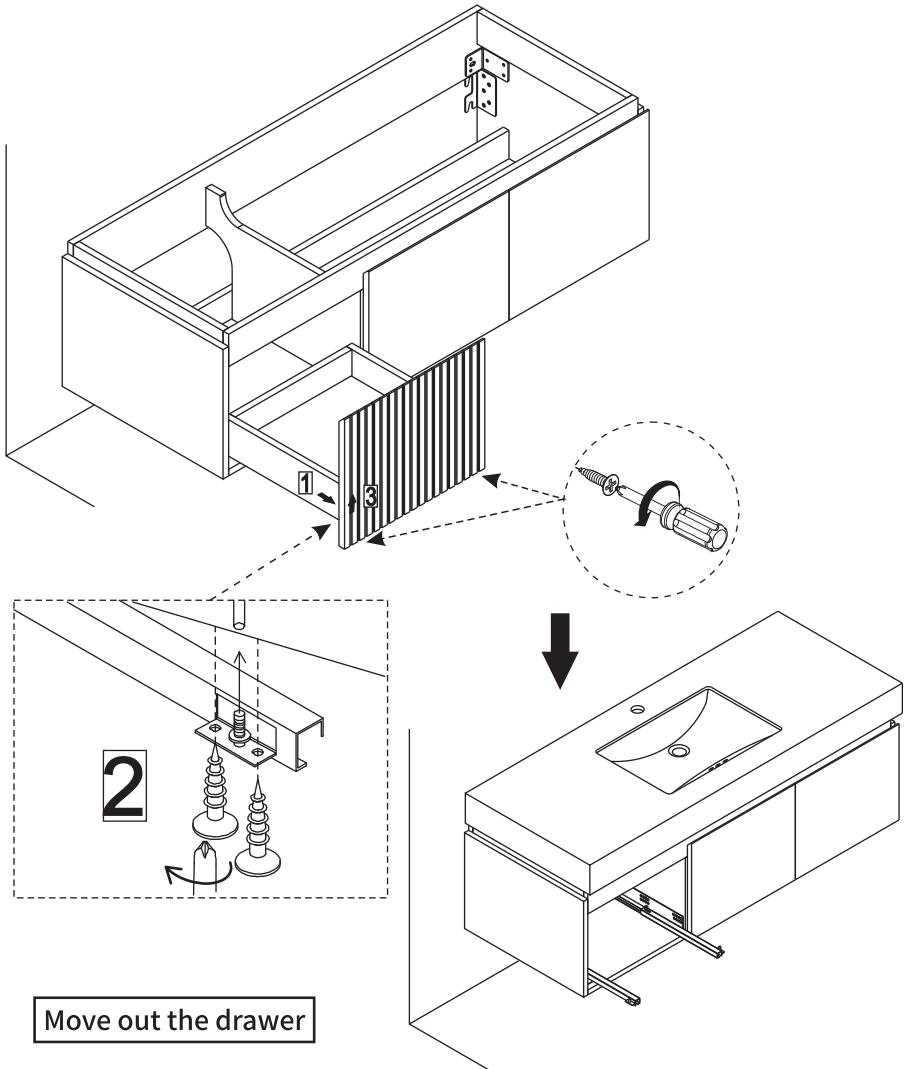


ASSEMBLY INSTRUCTIONS

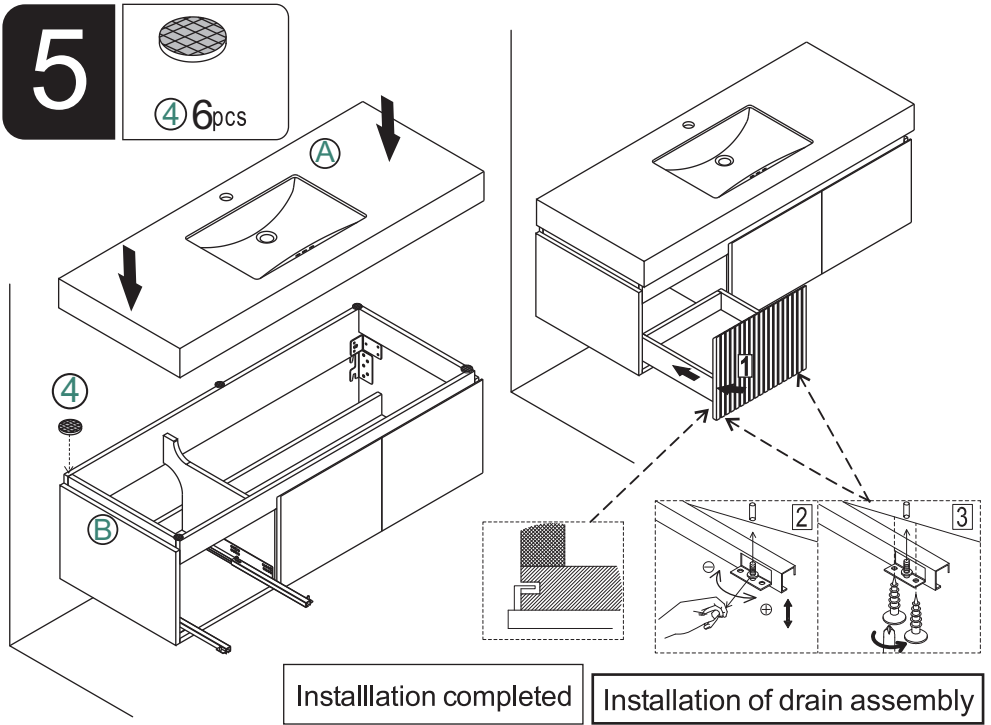
4

Installation of drain assembly

Turn the screw at the bottom of the guide rail counterclockwise!

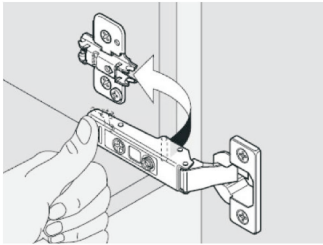


ASSEMBLY INSTRUCTIONS

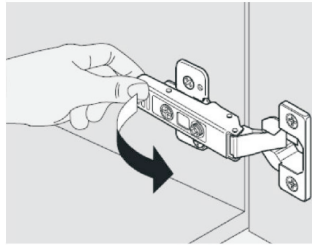


HINGE ADJUSTMENT AND REMOVAL INSTRUCTION

DOOR INSTALL



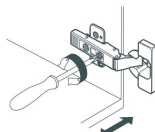
DOOR REMOVE



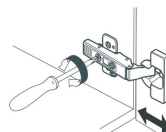
HOW TO ADJUST HINGES (if required)



adjust height



adjust laterally



adjust depth

DRAWERS REMOVAL & RE-INSTALLATION (if required)

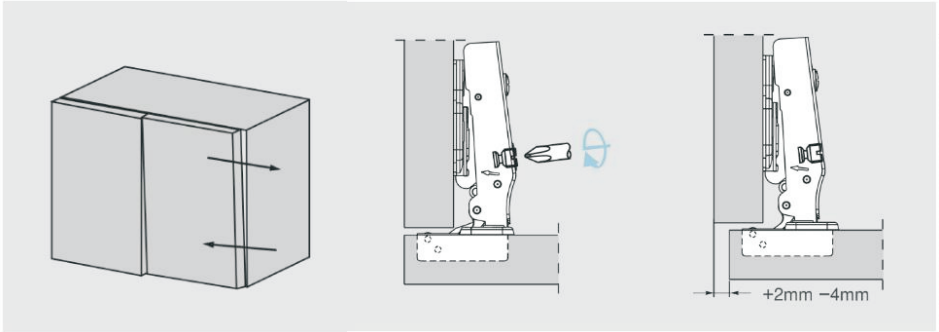
REMOVAL

7

RE-INSTALLATION

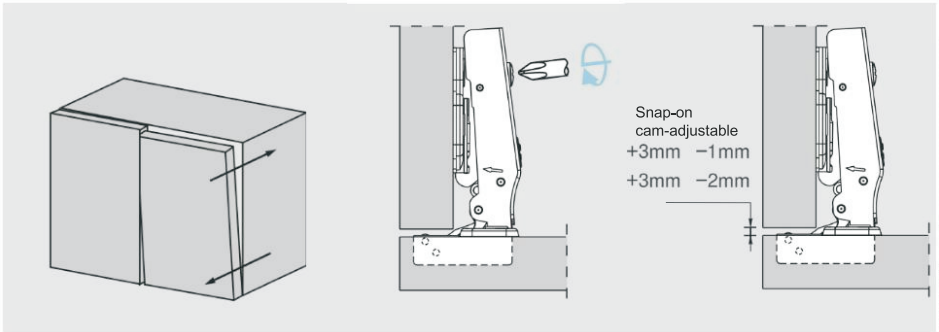
PIVOT-PRO side adjustment

Side adjustment of the door is made by using the indicated screw.



PIVOT-PRO Depth Adjustment

Depth adjustment is made without loosening any screw. The door can be moved in or out by rotating the cam adjuster on the hinge arm.



PIVOT-PRO Height Adjustment

By loosening the two fixing screws to allow the mounting plate to slide up or down, the door can be adjusted vertically by $\pm 2\text{mm}$. After retightening the screws, the Depth adjustment is done.

