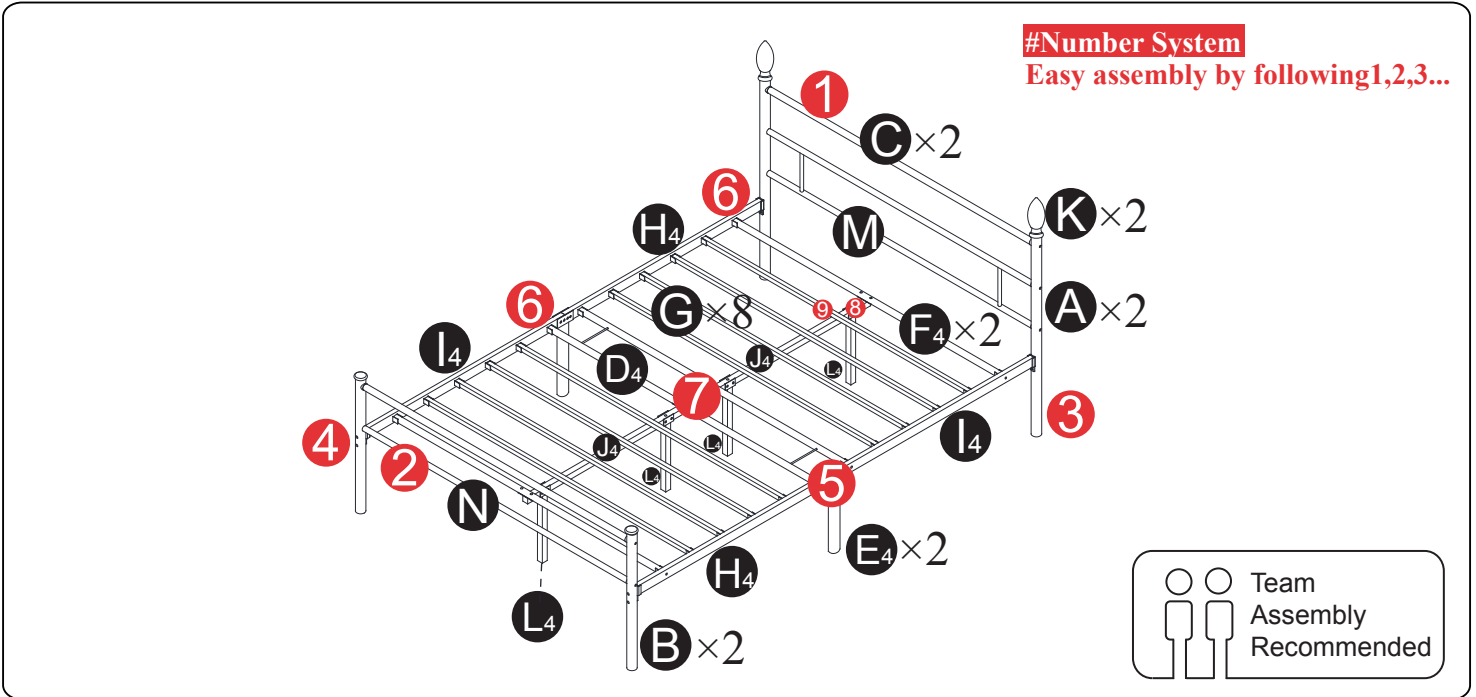
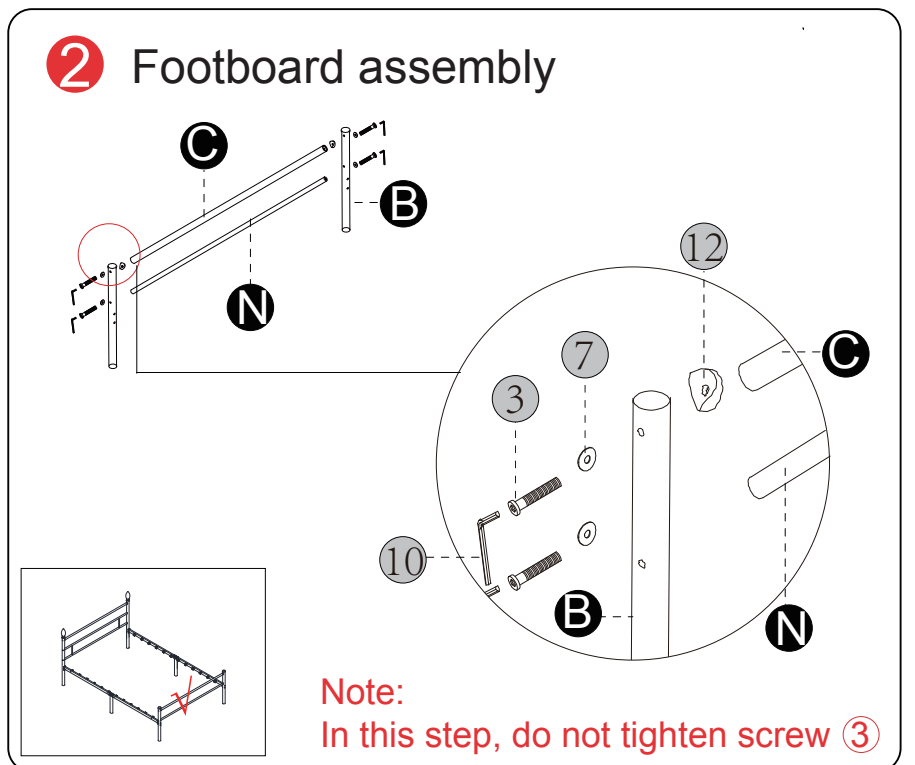
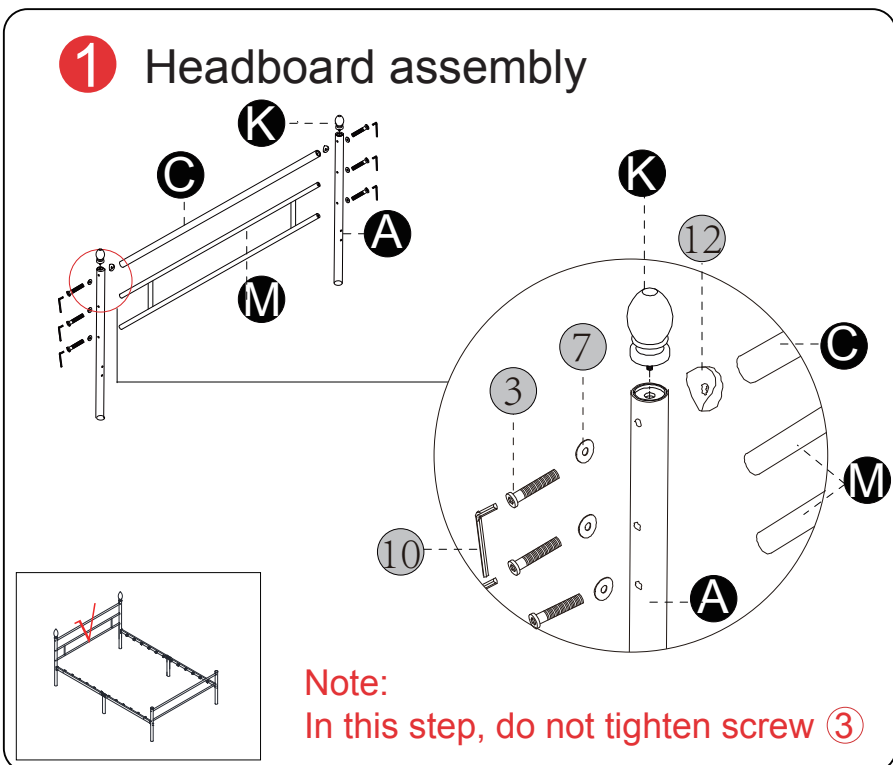


Bed Frame Installation Manual

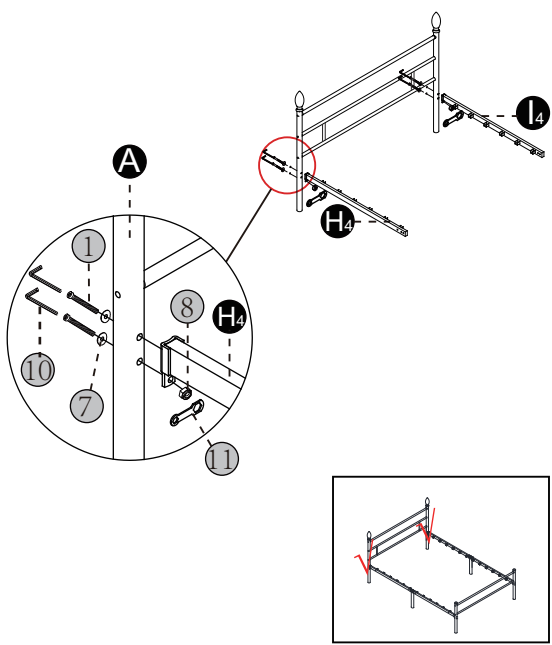


Componets		Screws & Tools	
	A x2	①	M8x50mm x8
	B x2	②	M8x35mm x8
	C x2	③	M6x60mm x10
	D x1	④	M6x40mm x20
	E x2	⑤	M6x30mm x12
	F x2	⑥	M6x15mm x4
	G x8	⑦	Ø x18
	H x2	⑧	M8 x12
	I x2	⑨	M6 x16
	J x2	⑩	M5 x1
	K x2	⑪	M13/M10 x1
	L x4	⑫	Ø x4
	M x1		
	N x1		

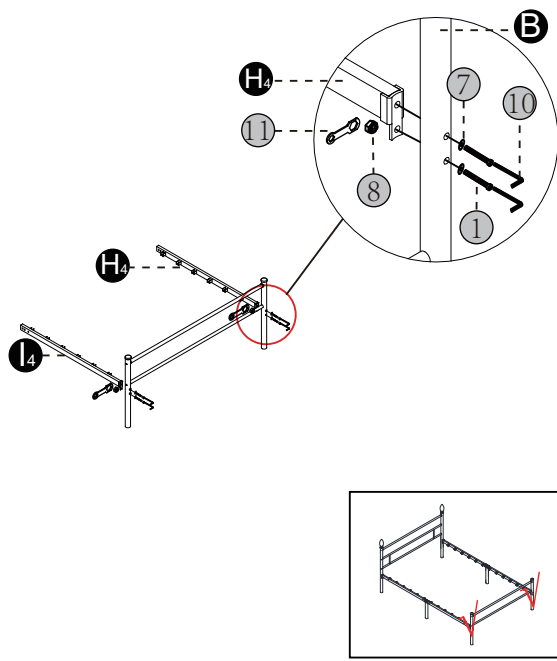
Check all the components & screws before assembly. Do not install in case part is missing.



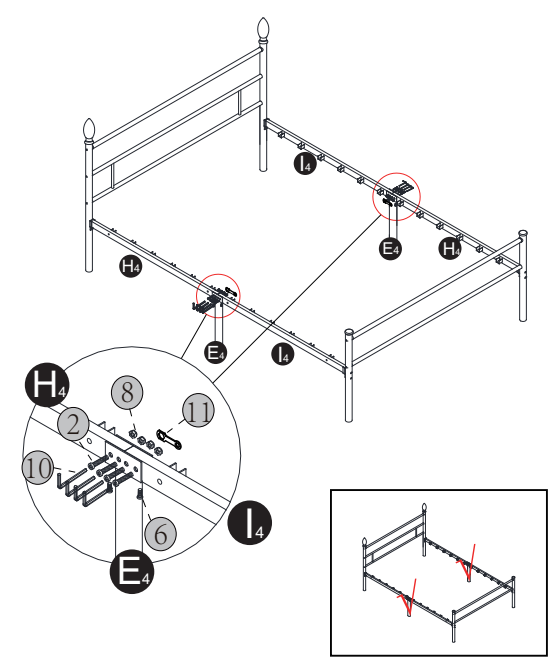
3 Connect **H₄** & **L₄** to headboard



4 Connect **H₄** & **L₄** to footboard

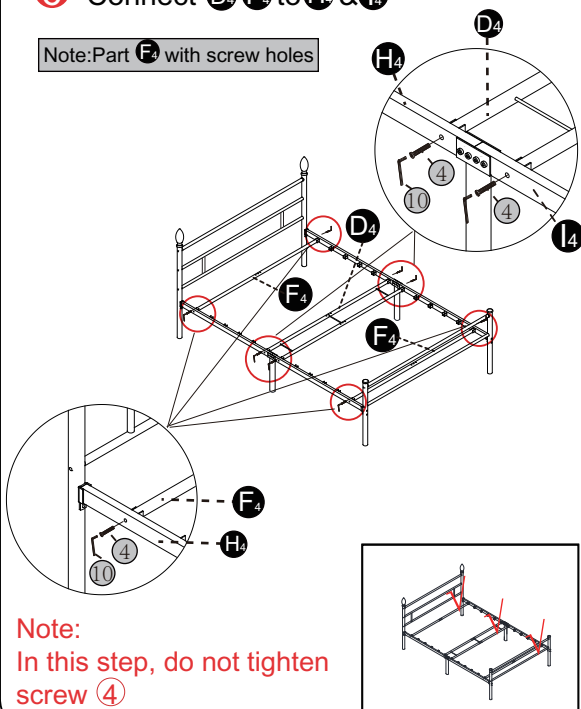


5 Connect **E₄** to **H₄** & **L₄**

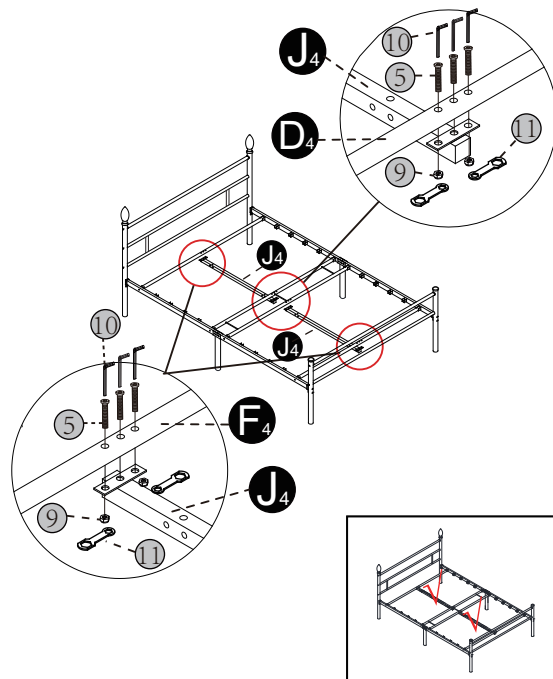


6 Connect **D₄** **F₄** to **H₄** & **L₄**

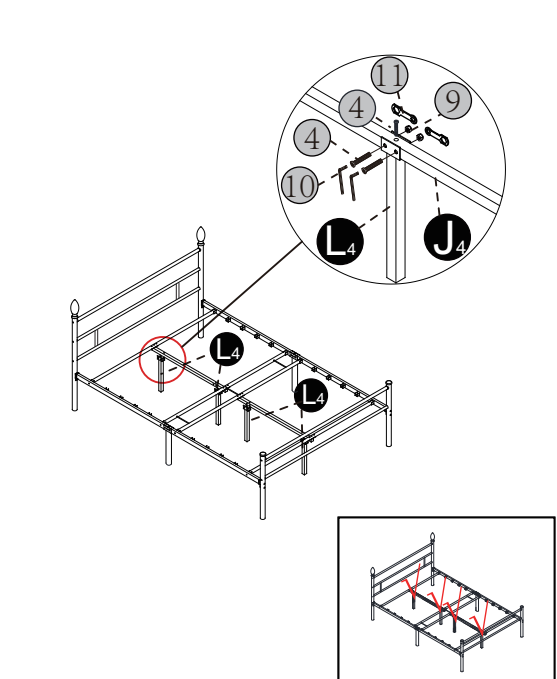
Note: Part **E₄** with screw holes



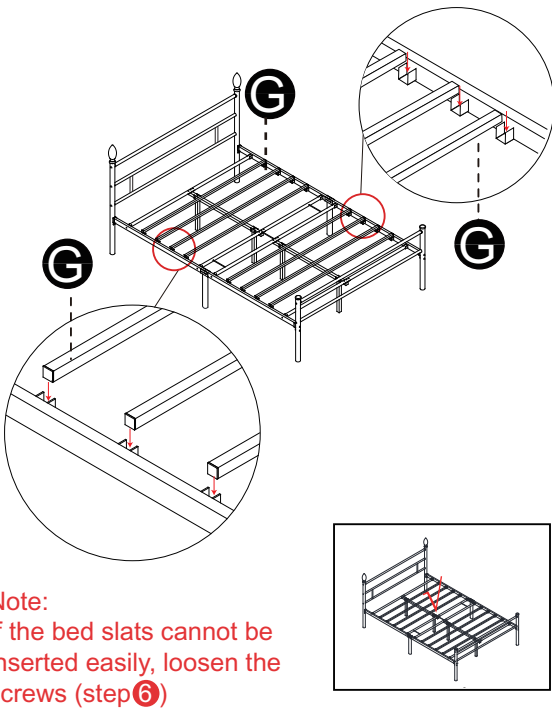
7 Connect **J₄** to **D₄** & **F₄**



8 Connect **L₄** to **J₄**



9 Assemble bed slats



10 Check and tighten all screws

