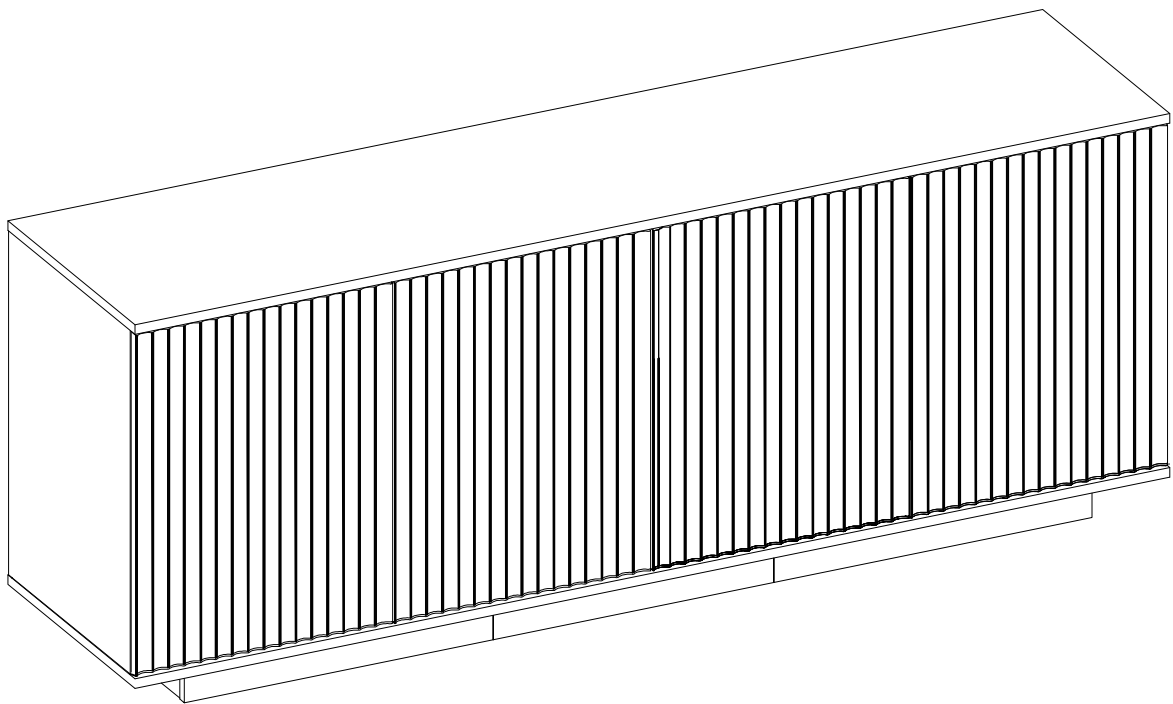
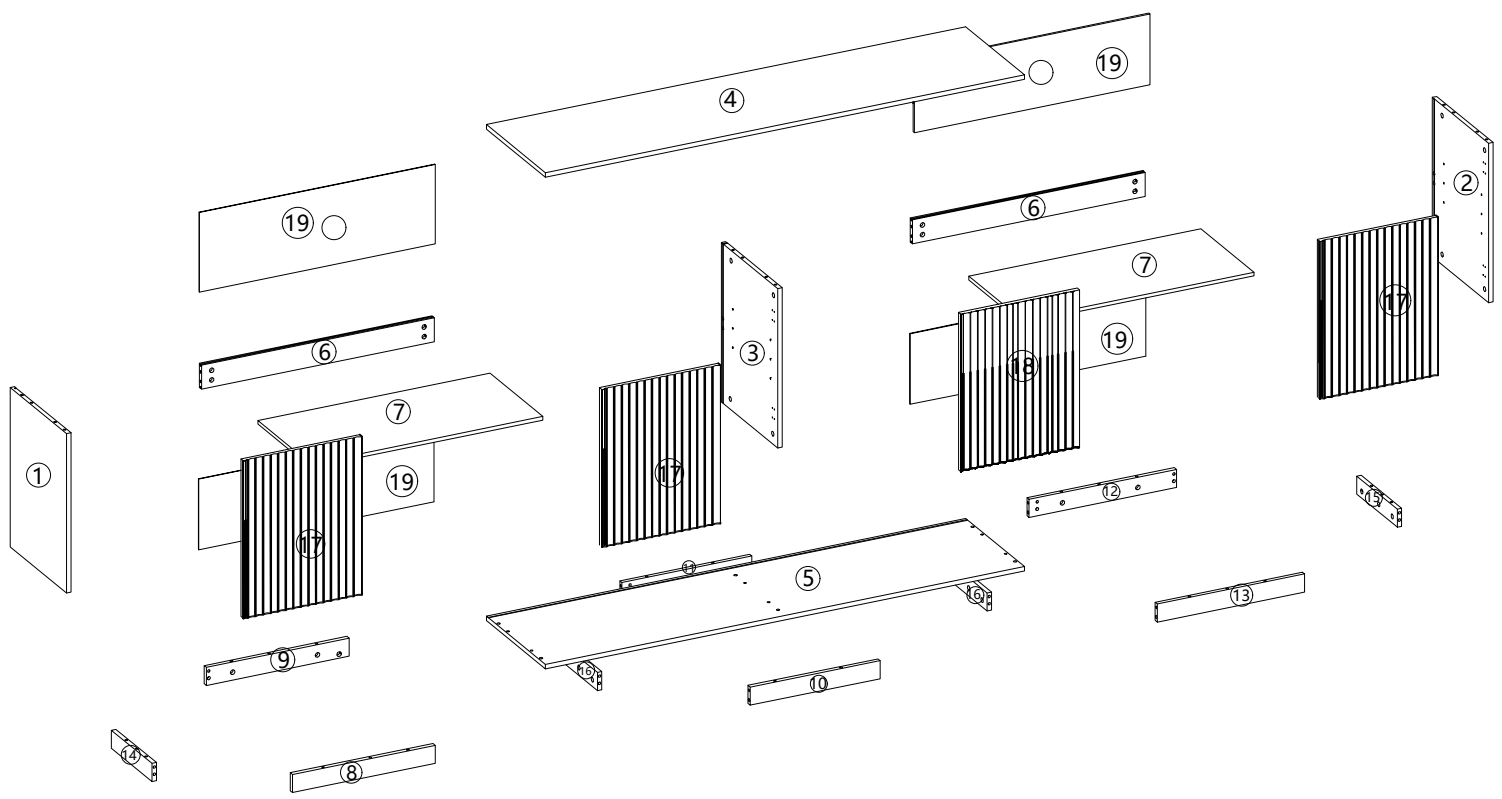
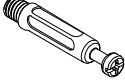

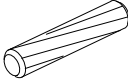
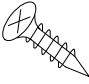
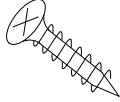
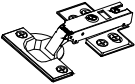

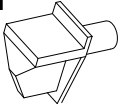
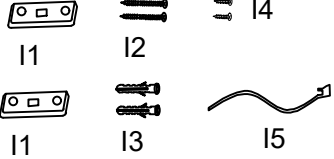
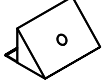

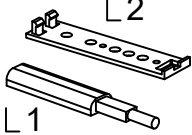


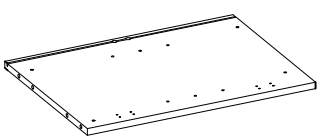
# Installation & Assembly





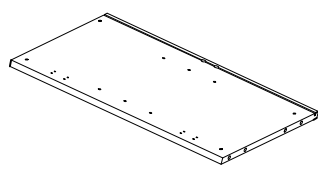
<p><b>A</b></p>  <p>ø7*40mm 46PCS</p>	<p><b>B</b></p>  <p>ø15*9.5mm 46PCS</p>	<p><b>C</b></p>  <p>ø8*30mm 38PCS</p>	<p><b>D</b></p>  <p>ø3.5*12mm 16PCS</p>	<p><b>E</b></p>  <p>ø3.5*14mm 56PCS</p>
<p><b>F</b></p>  <p>4PCS</p>	<p><b>G</b></p>  <p>4PCS</p>	<p><b>H</b></p>  <p>8PCS</p>	<p><b>I</b></p>  <p>I1 I2 I4 I1 I3 I5</p> <p>2PCS</p>	
<p><b>J</b></p>  <p>16PCS</p>	<p><b>K</b></p>  <p>ø21mm 46PCS</p>	<p><b>L</b></p>  <p>L2 L1</p> <p>4PCS</p>		

1



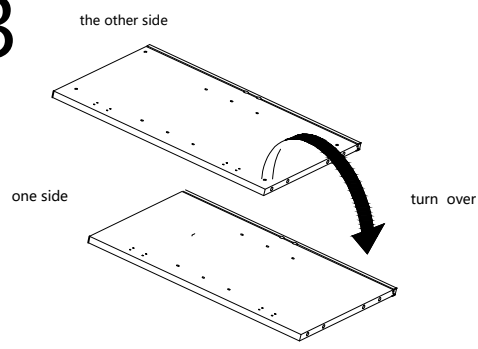
530\*383\*15mm 1PC

2



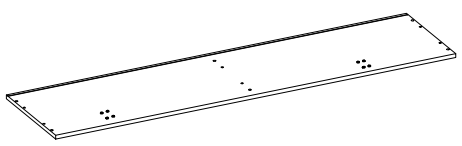
530\*383\*15mm 1PC

3



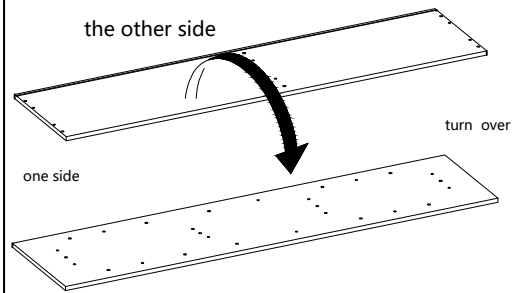
530\*383\*15mm 1PC

4



1626\*400\*15mm 1PC

5



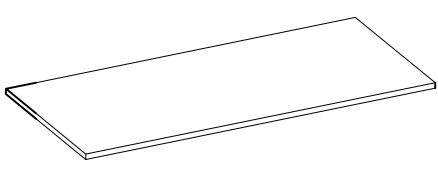
1626\*400\*15mm 1PC

6



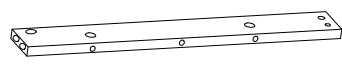
789.5\*80\*15mm 2PCS

7



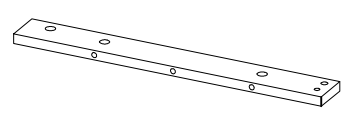
787.5\*360\*12mm 2PCS

8



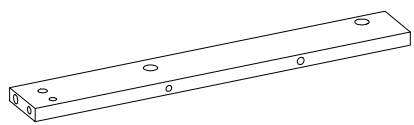
485\*60\*15mm 1PC

9



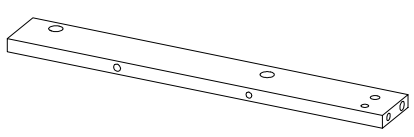
485\*60\*15mm 1PC

10



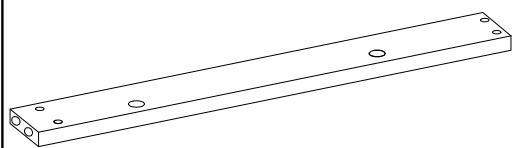
441\*60\*15mm 1PC

11

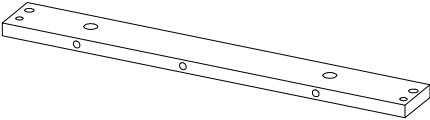
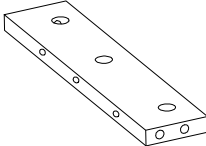
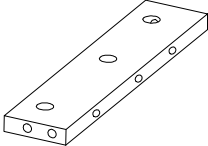
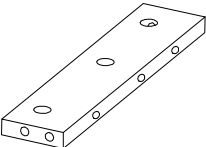
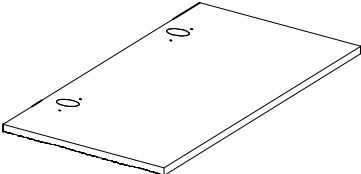
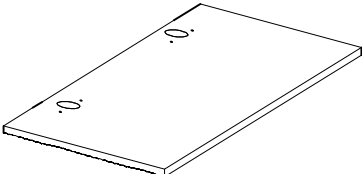
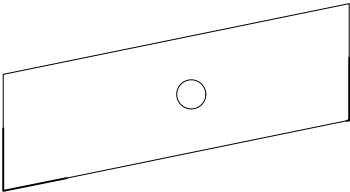


441\*60\*15mm 1PC

12



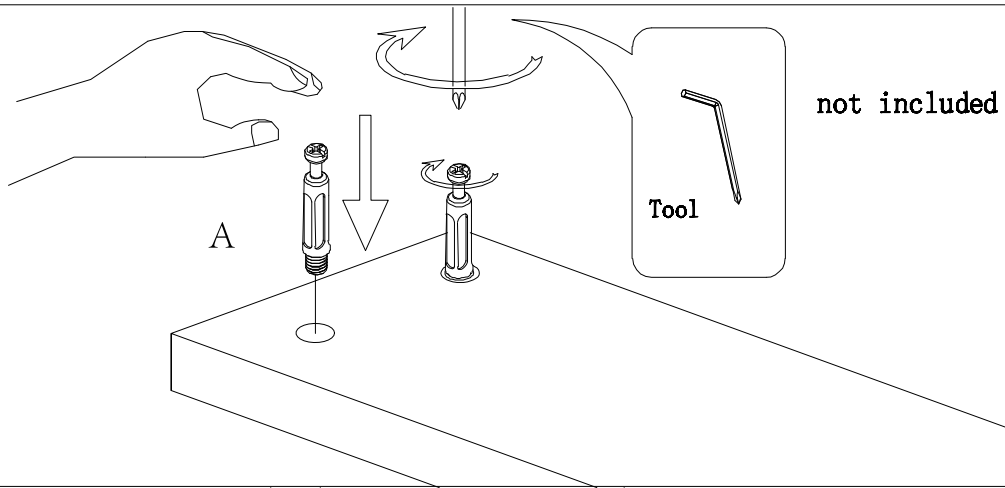
500\*60\*15mm 1PC

<p><b>13</b></p>  <p>500*60*15mm      1PC</p>	<p><b>14</b></p>  <p>275*60*15mm      1PC</p>	<p><b>15</b></p>  <p>275*60*15mm      1PC</p>
<p><b>16</b></p>  <p>275*60*15mm      2PCS</p>	<p><b>17</b></p>  <p>524*403*15mm      3PCS</p>	<p><b>18</b></p>  <p>524*403*15mm      1PC</p>
<p><b>19</b></p>  <p>798.5*235*3mm      4PCS</p>		

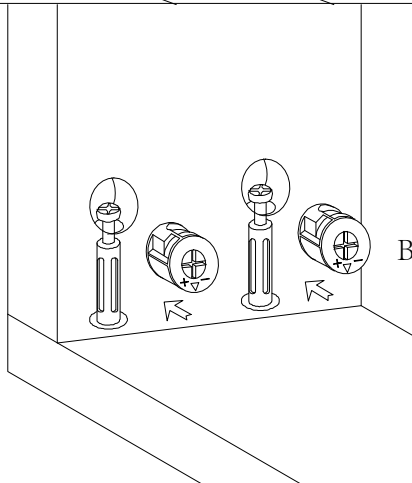
# Hardware installation demonstration

NOTE: Please make sure "A I" hardware tightened and can't be pulled out!

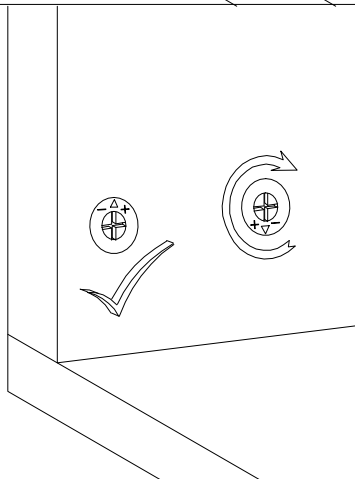
I



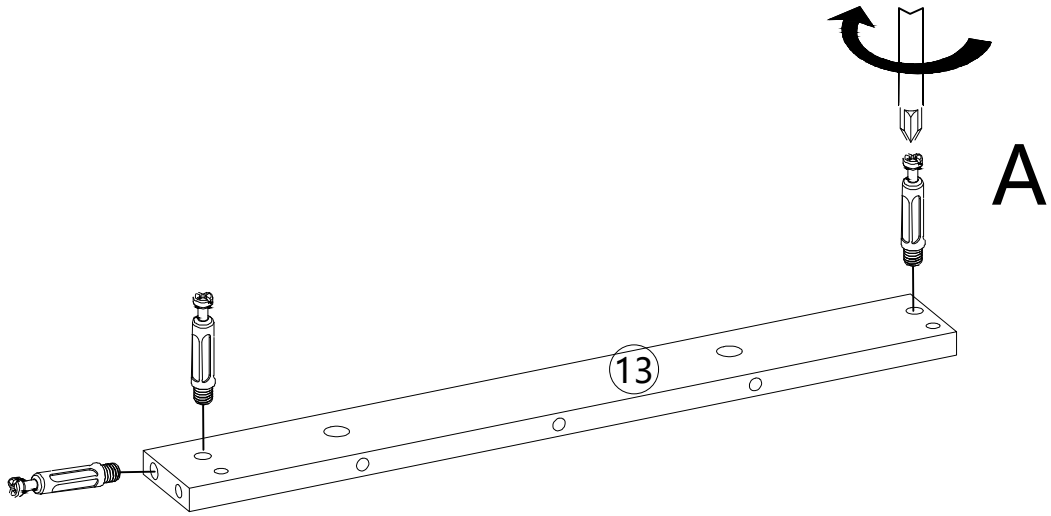
II




III

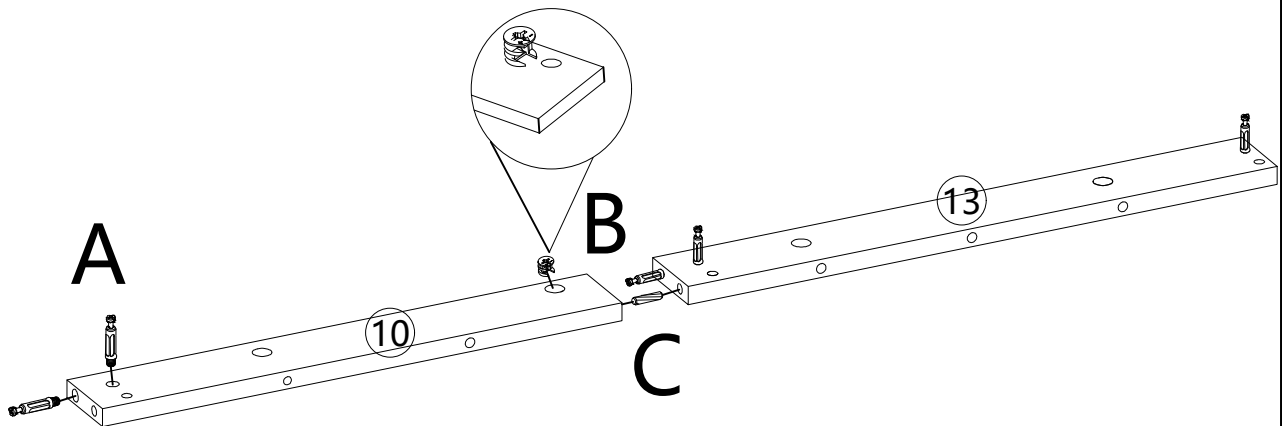
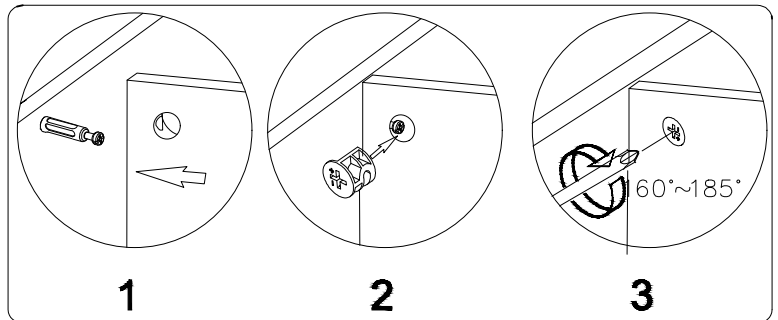




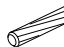
# STEP 1



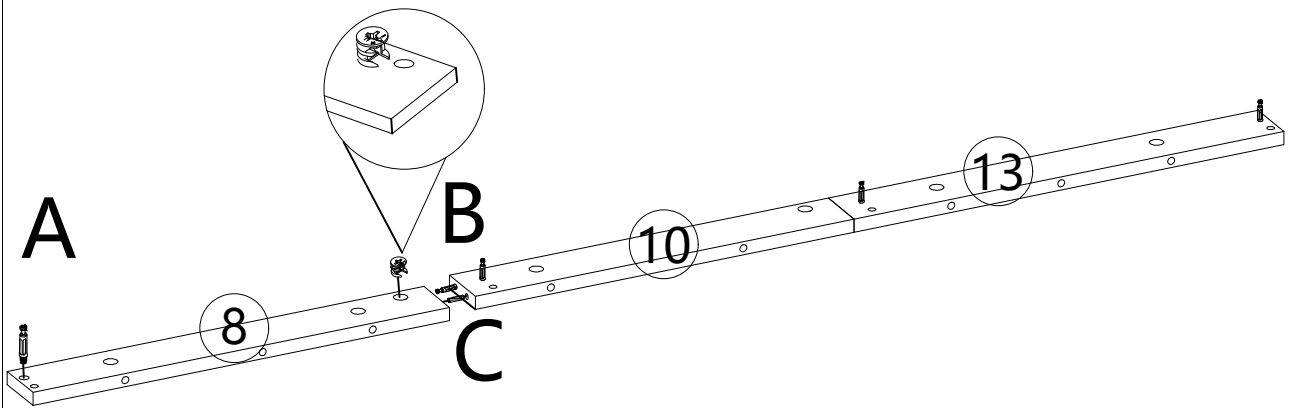
	A × 3PCS
---	----------

# STEP 2



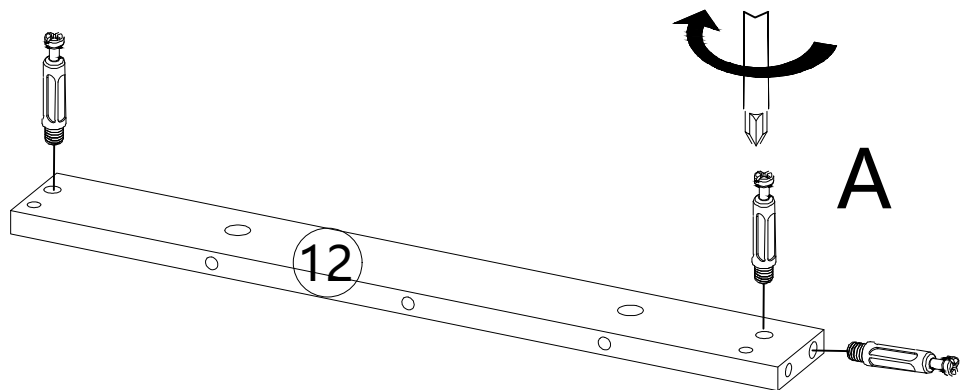
	A × 2PCS		B × 1PC		C × 1PC
---	----------	---	---------	---	---------


# STEP 3



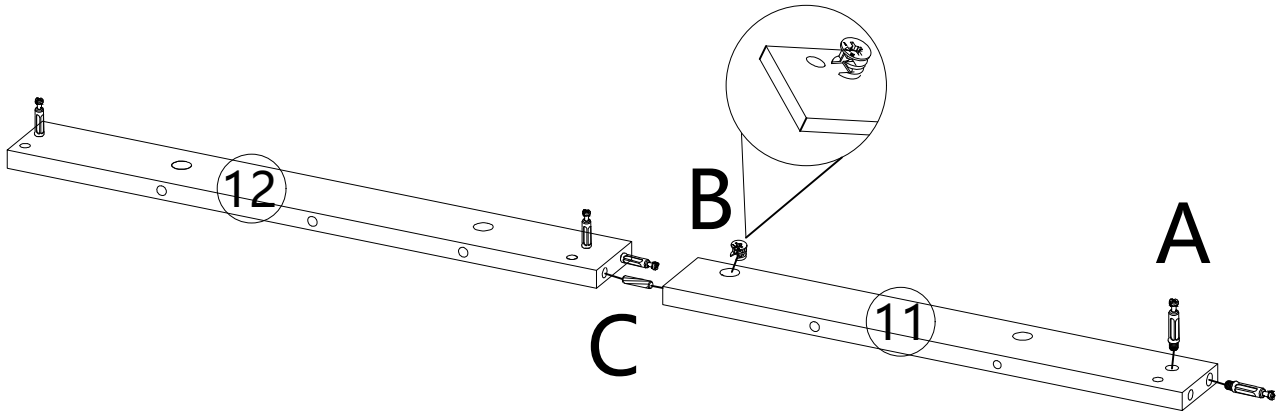
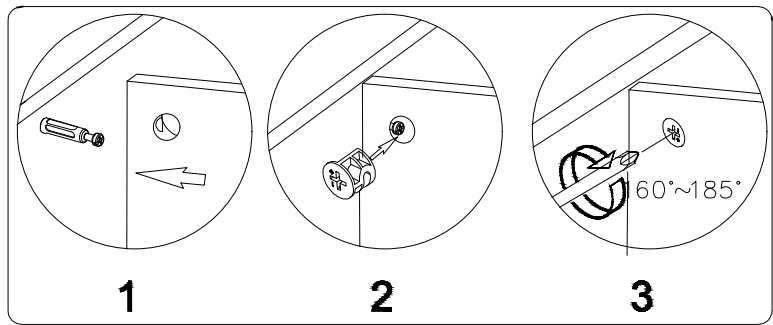
	A × 1PC		B × 1PC		C × 1PC
---	---------	---	---------	---	---------



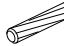
# STEP 4



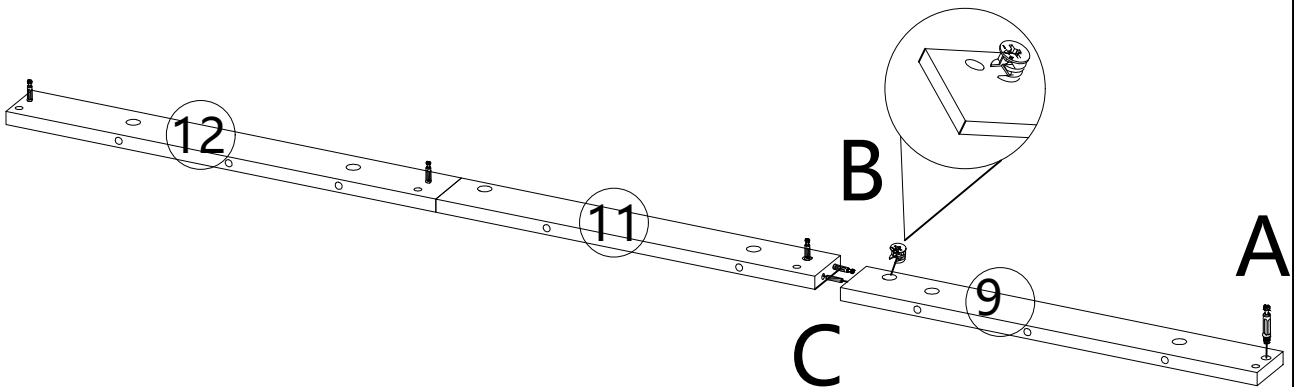
	A × 3PCS
---	----------




# STEP 5



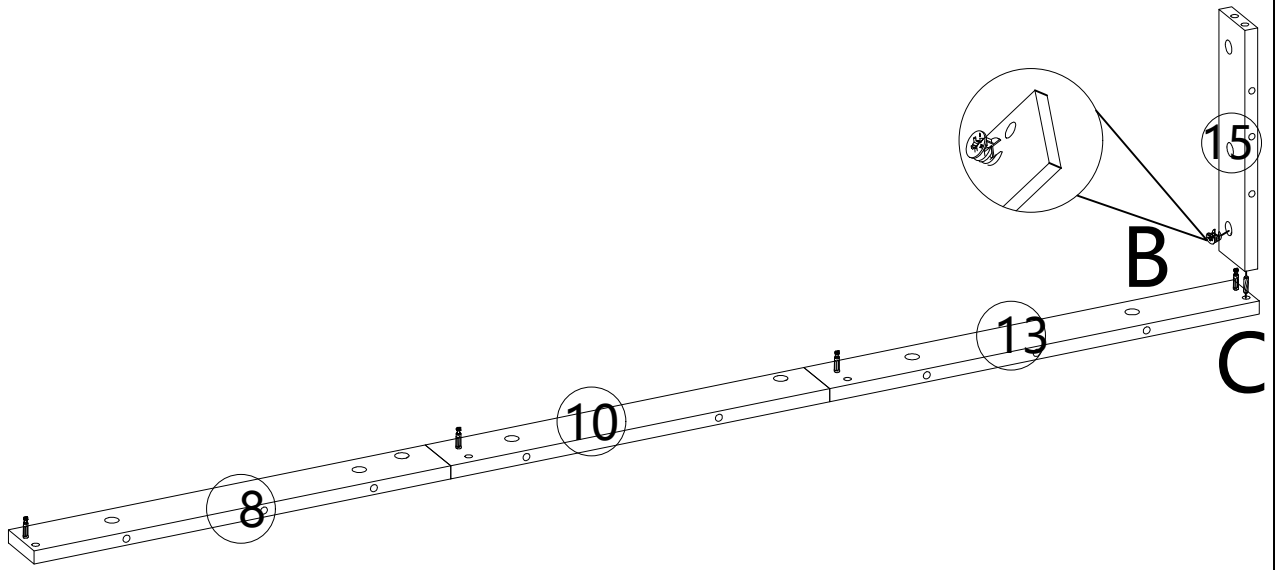
	A × 2PCS		B × 1PC		C × 1PC
---	----------	---	---------	---	---------


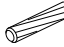
# STEP 6



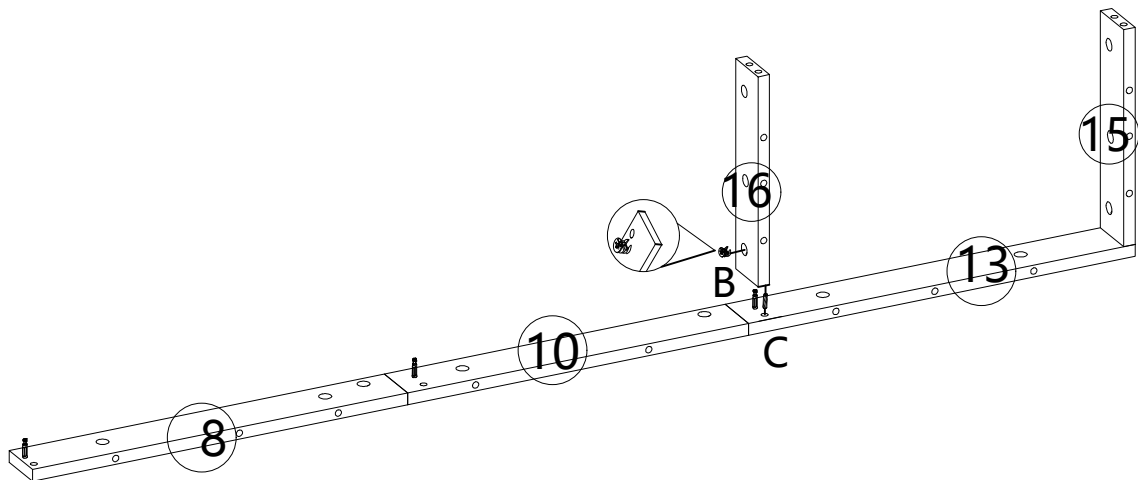
	A × 1PC		B × 1PC		C × 1PC
---	---------	---	---------	---	---------



# STEP 7



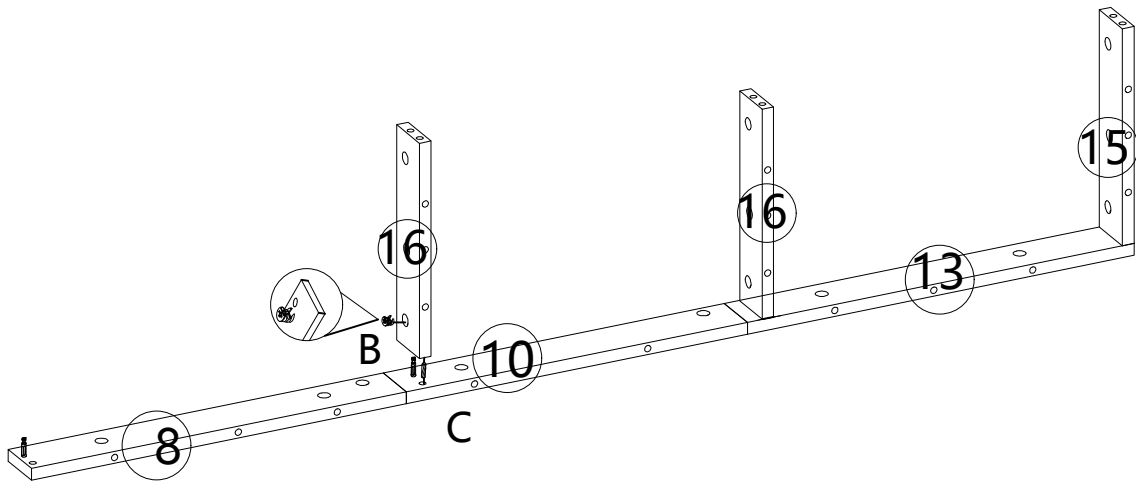
	B × 1PC		C × 1PC
---	---------	---	---------


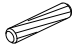
# STEP 8



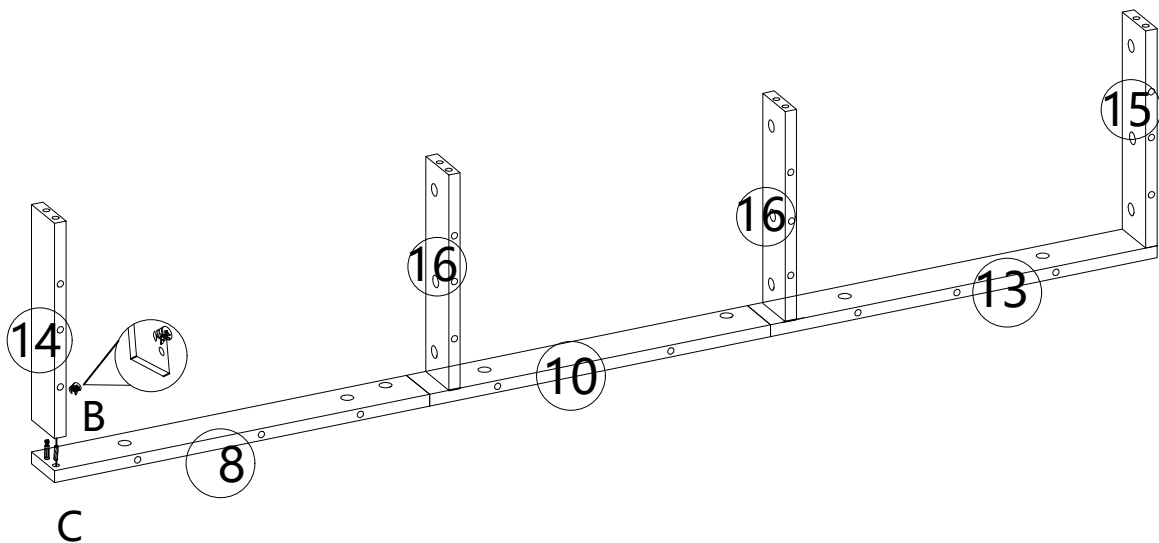
	B × 1PC		C × 1PC
---	---------	---	---------



# STEP 9



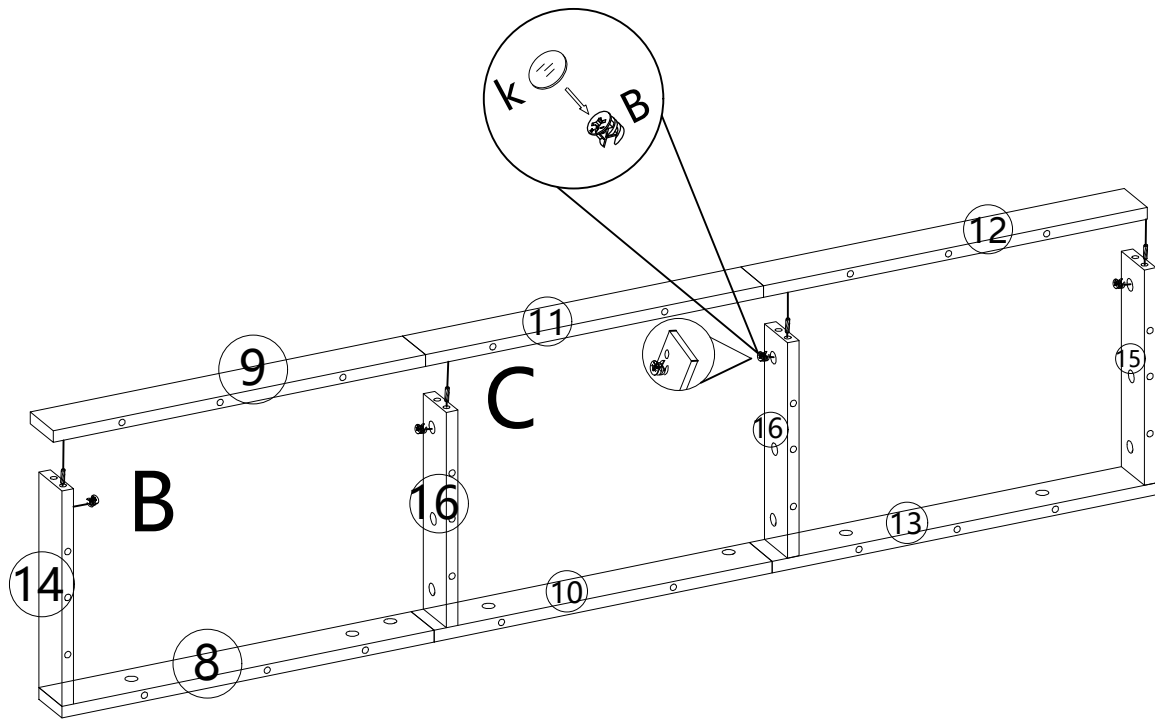
	B × 1PC		C × 1PC
---	---------	---	---------


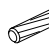

# STEP 10



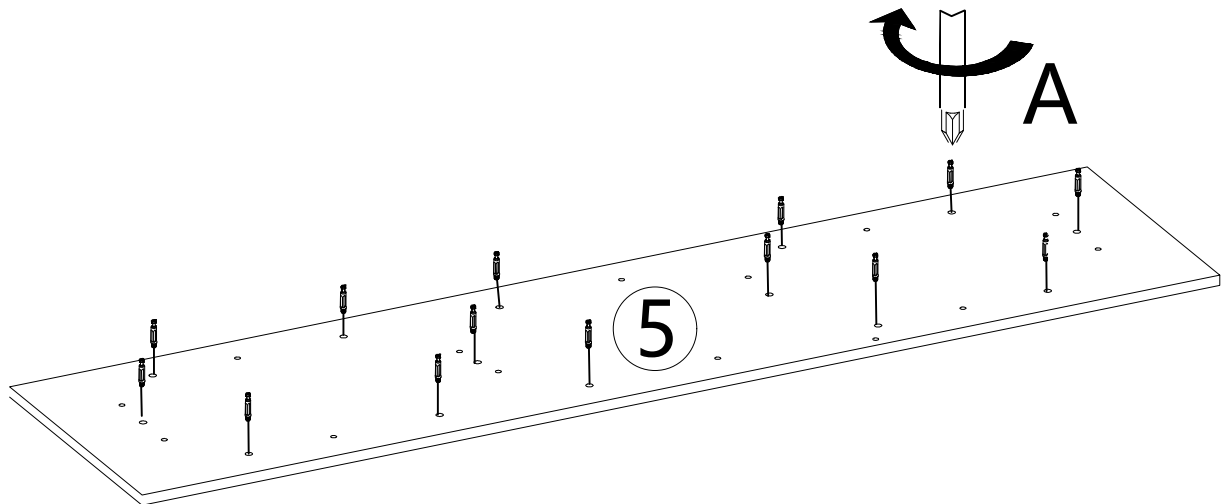
	B × 1PC		C × 1PC
---	---------	---	---------

# STEP 11



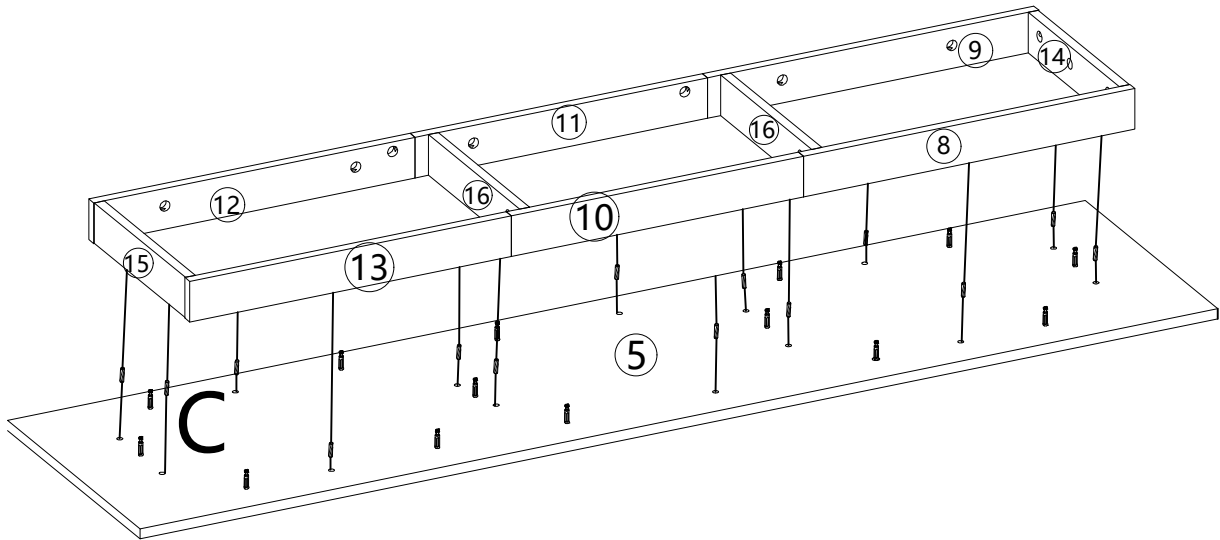
	B × 4PCS		C × 4PCS		K × 12PCS
---	----------	---	----------	---	-----------

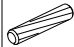
# STEP 12



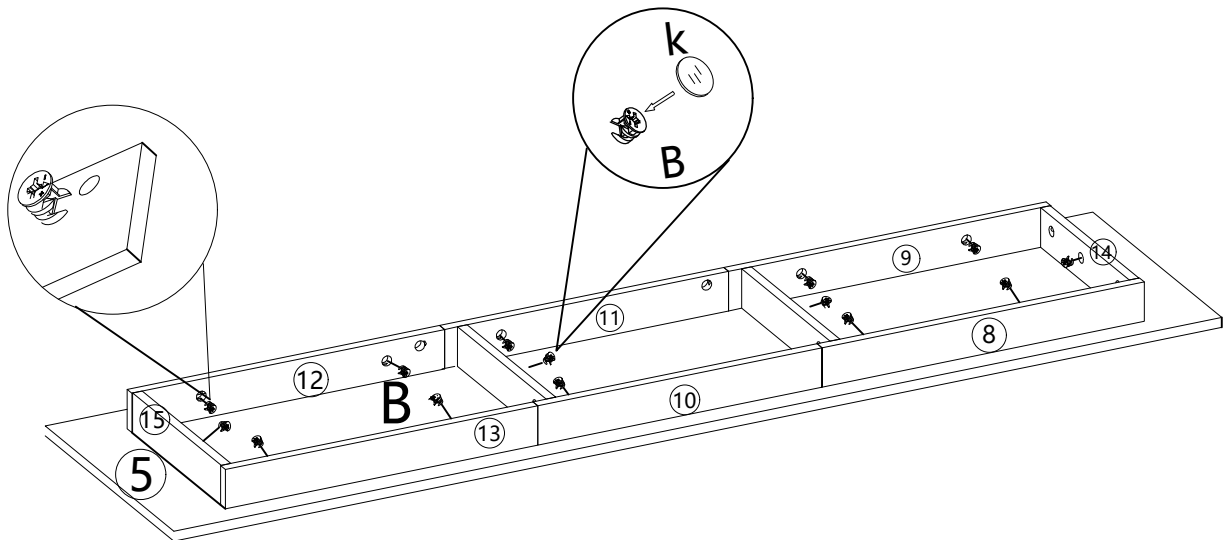
	A × 14PCS
---	-----------

# STEP 13



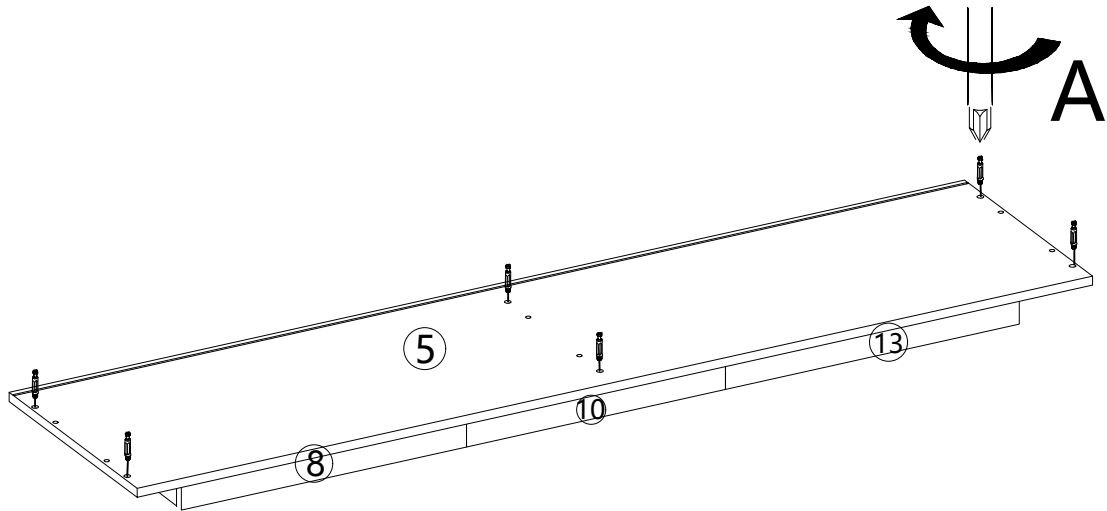
	C × 14PCS
---	-----------


# STEP 14



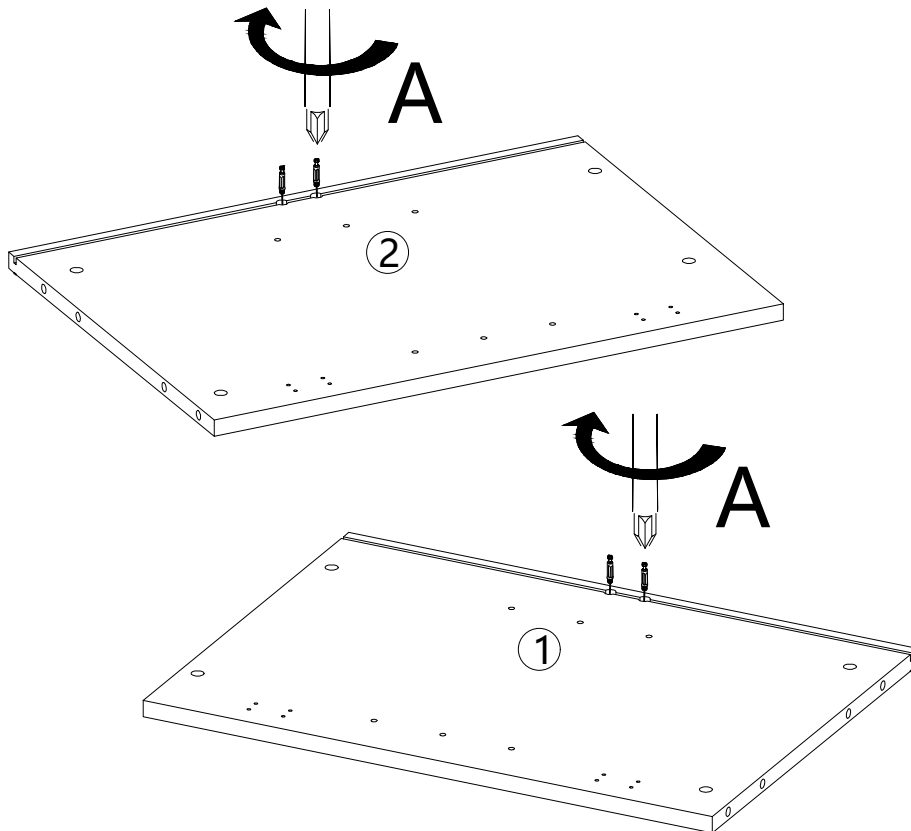
	B × 14PCS		K × 14PCS
---	-----------	---	-----------


# STEP 15



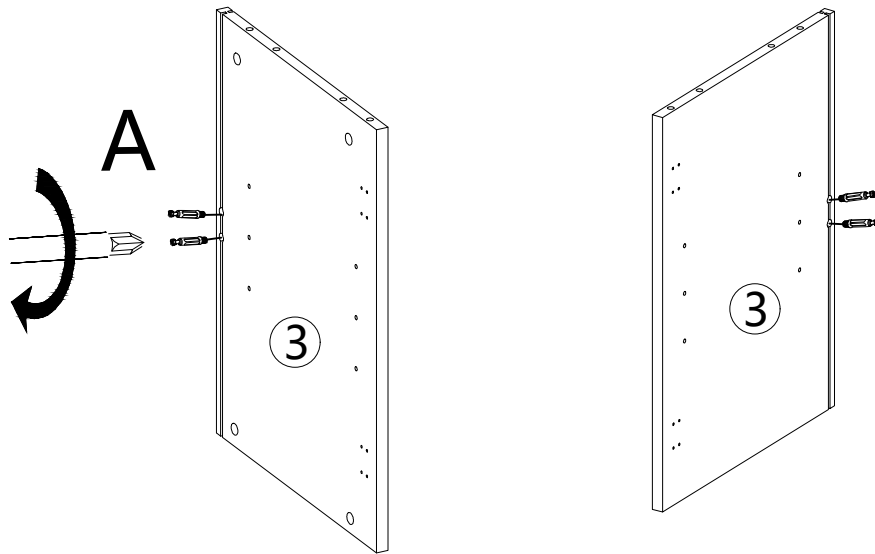
	A × 6PCS
---	----------

# STEP 16



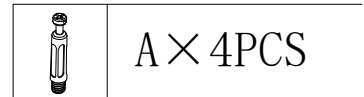
	A × 4PCS
---	----------

# STEP 17

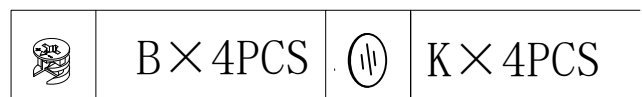
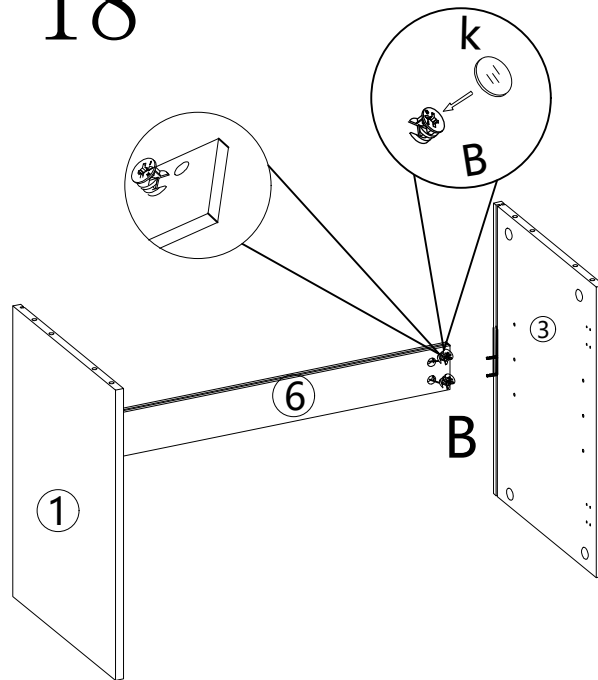


the other side

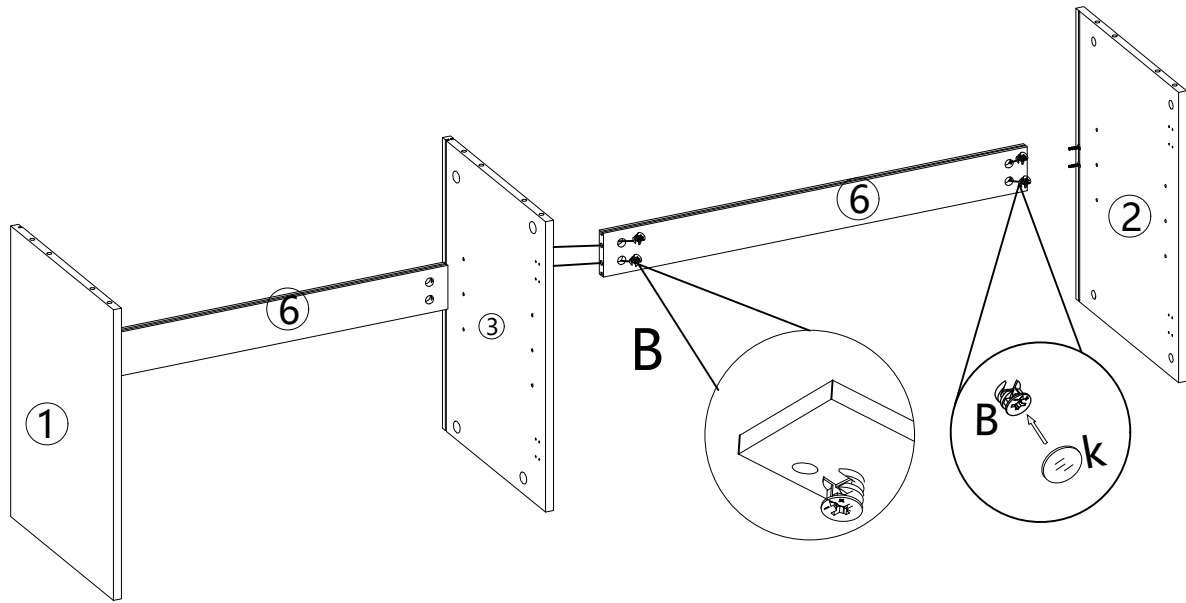
one side





# STEP 18

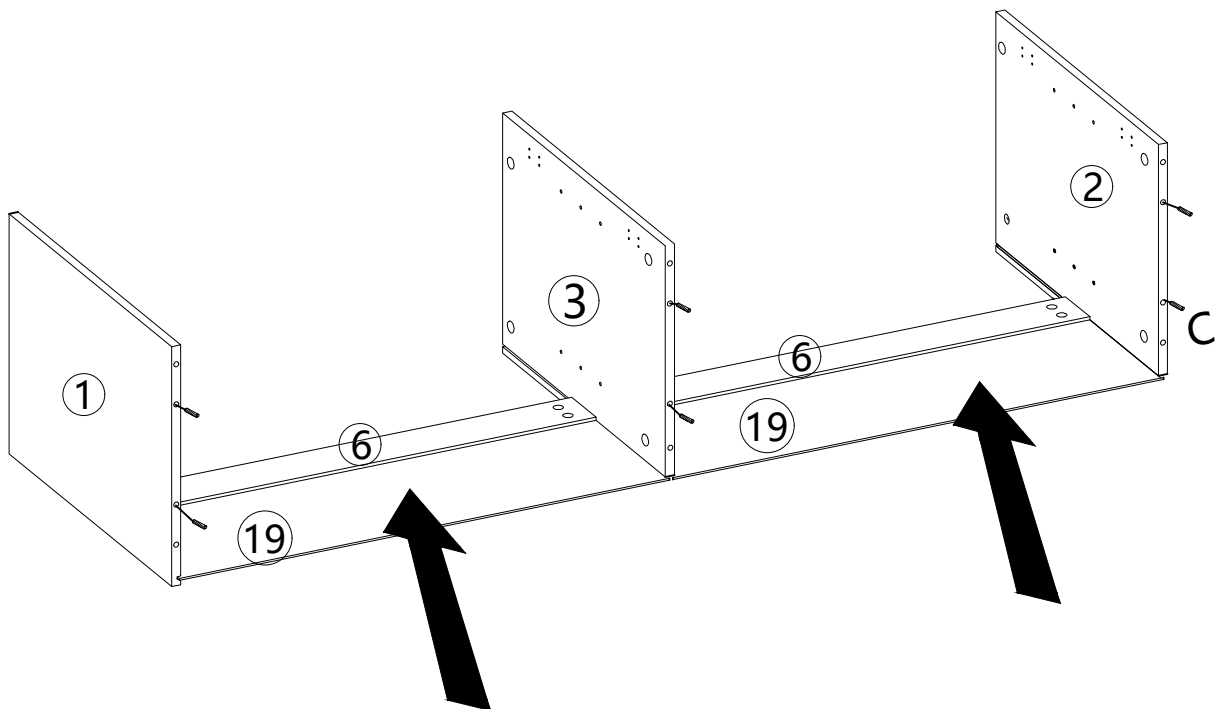


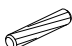
# STEP 19



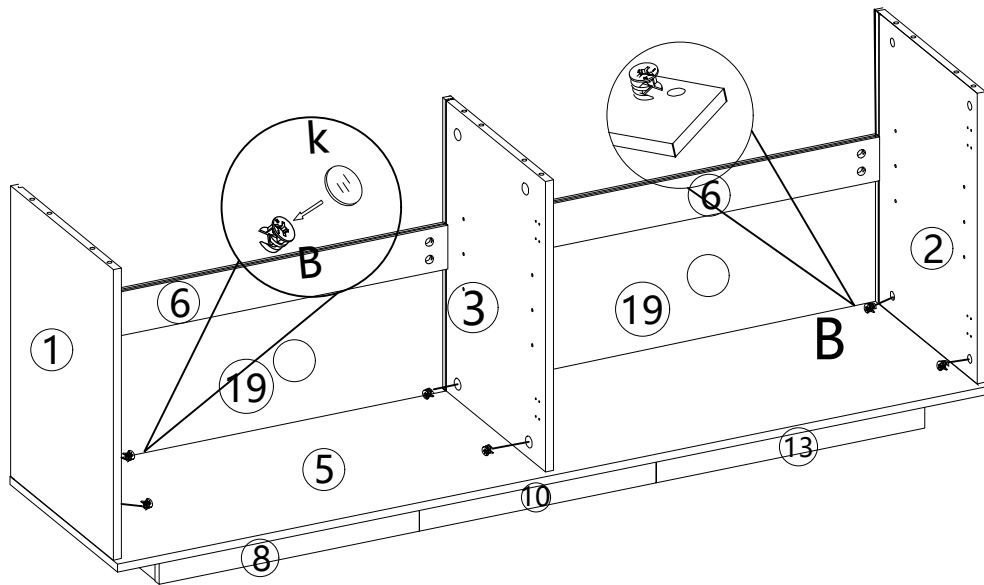
	B × 4PCS		K × 4PCS
---	----------	---	----------



# STEP 20



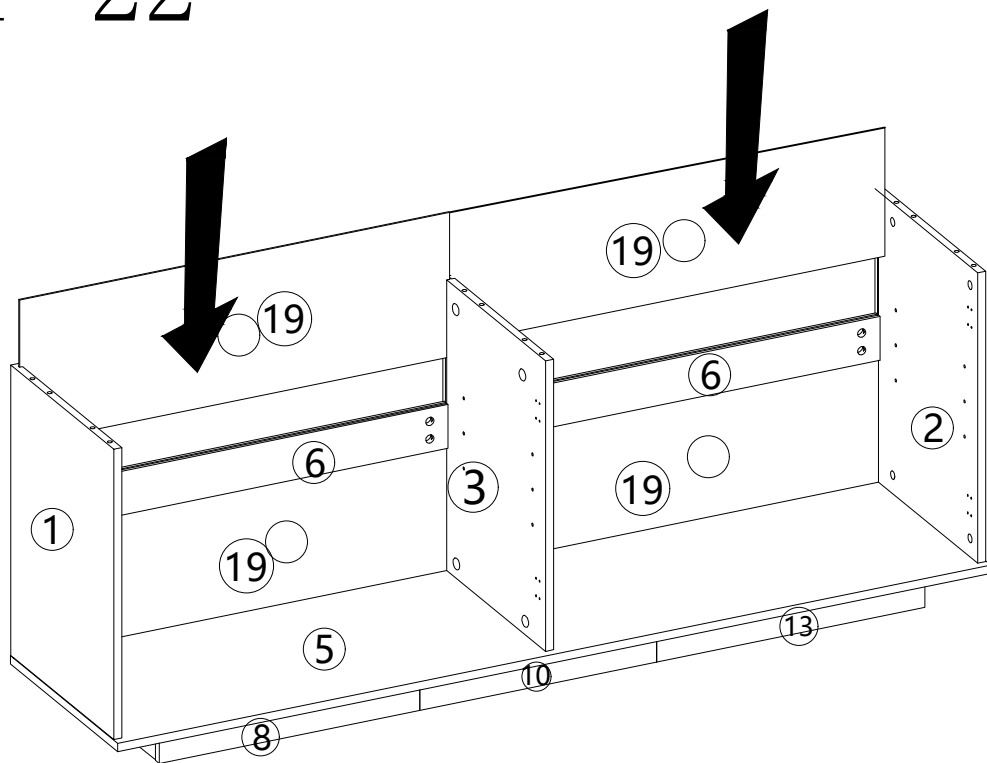
	C × 6PCS
---	----------

# STEP 21

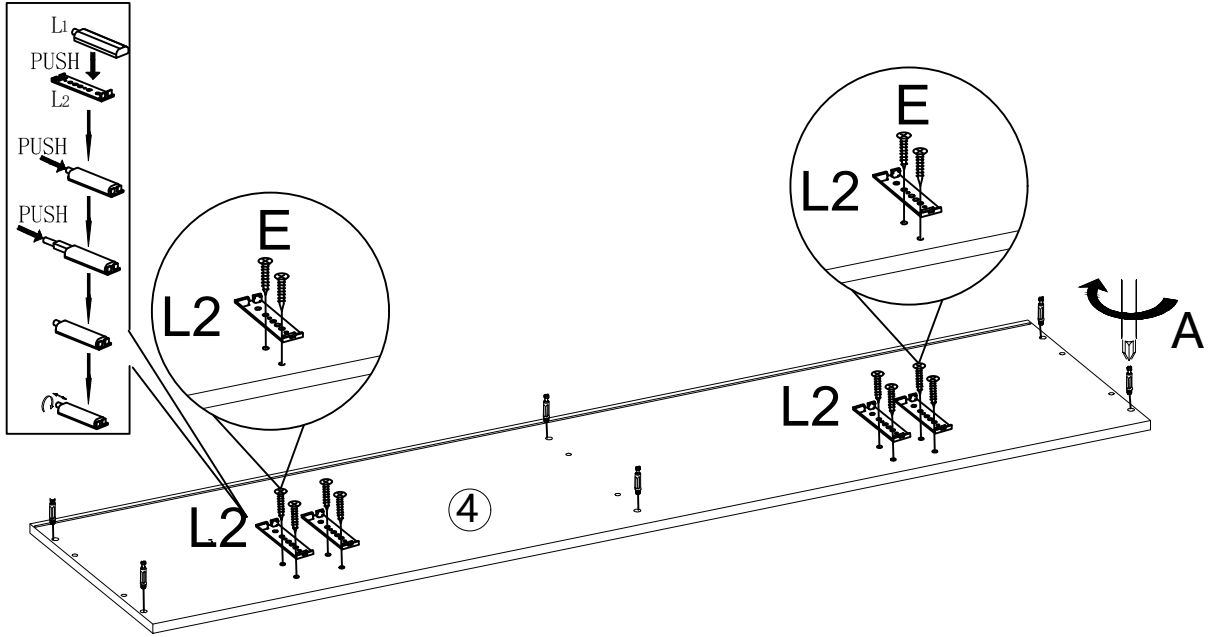


	B × 6PCS		K × 6PCS
---	----------	---	----------

# STEP 22

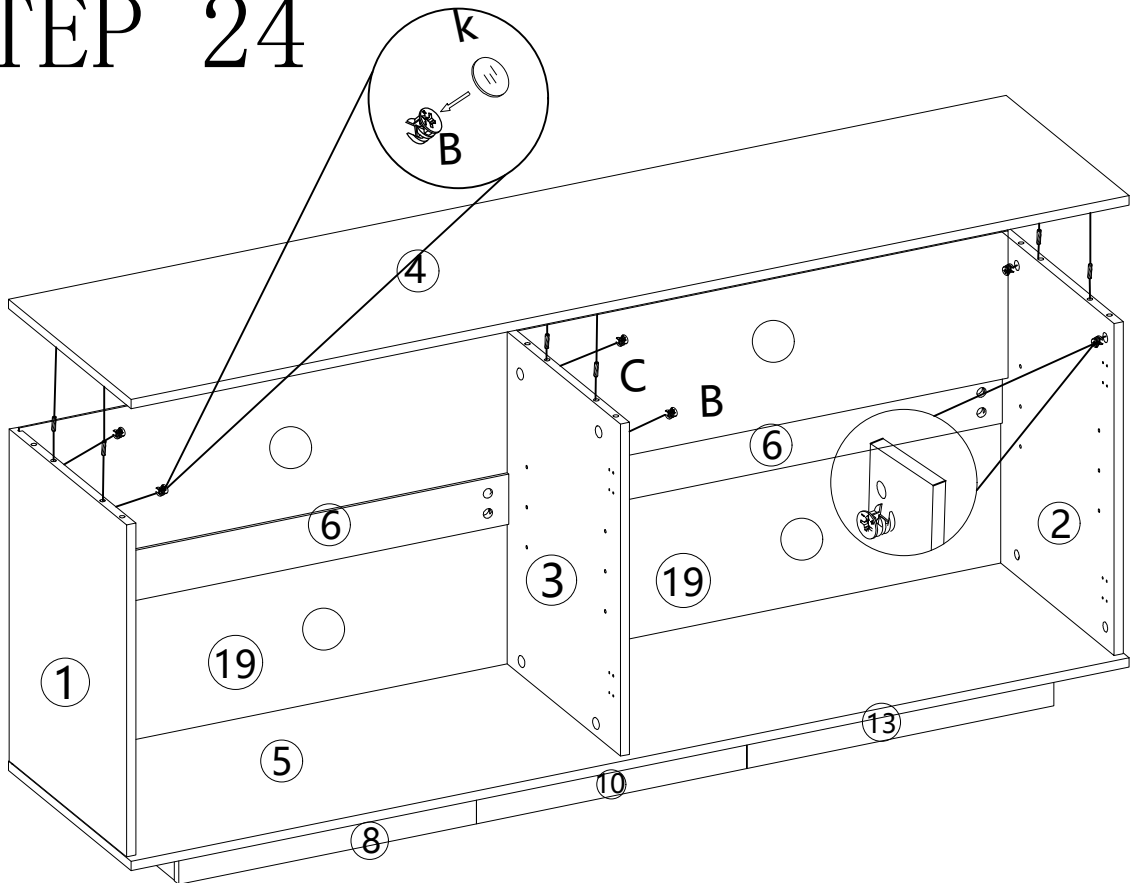





# STEP 23



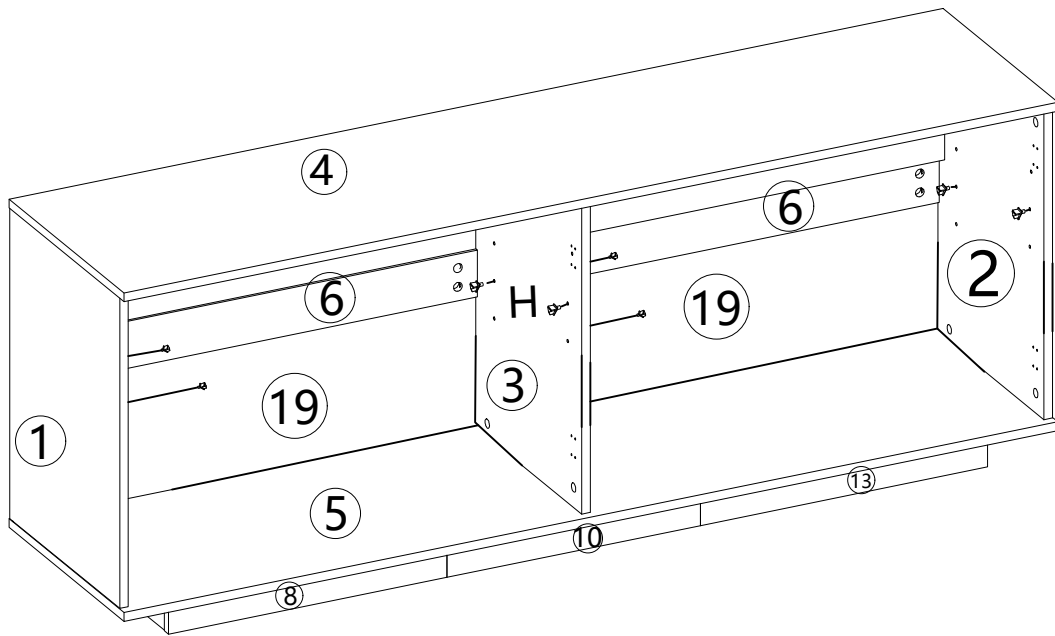
	A × 6PCS		E × 8PCS		L1 × 4PCS		L2 × 4PCS
---	----------	---	----------	--	-----------	---	-----------


# STEP 24



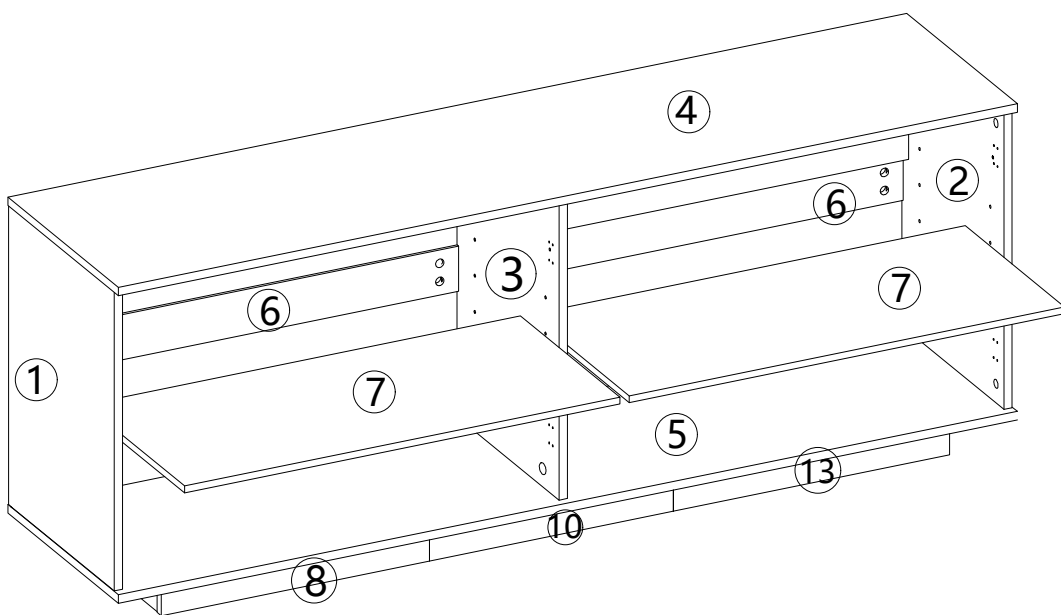
	B × 6PCS		C × 6PCS		K × 6PCS
---	----------	---	----------	---	----------

# STEP 25

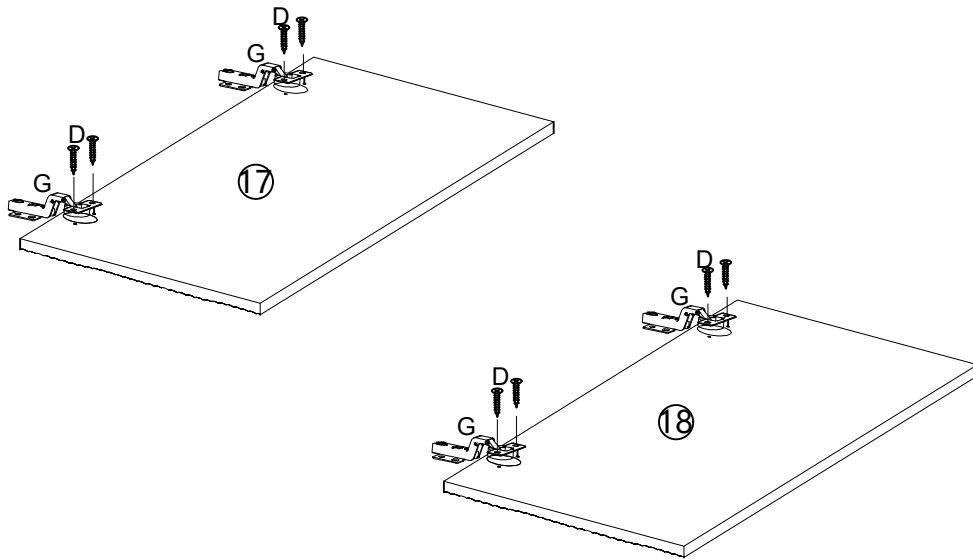




 H × 8PCS

# STEP 26



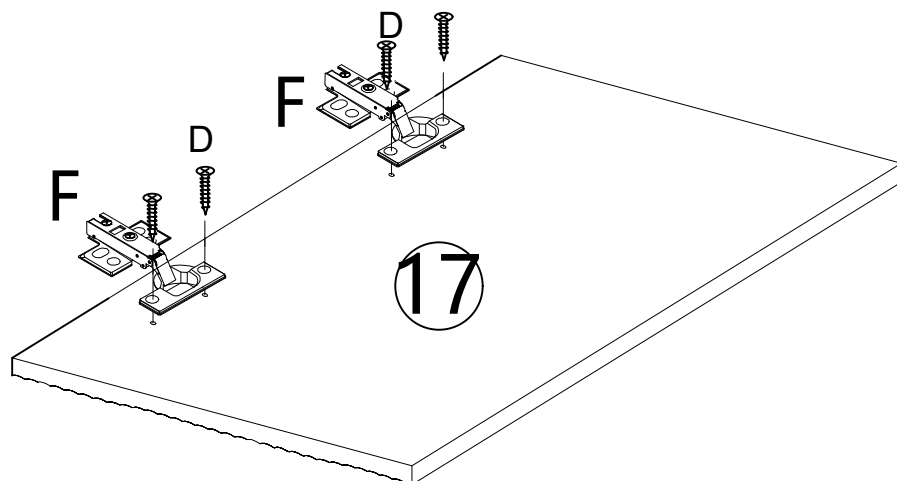
# STEP 27





	D × 8PCS		G × 4PCS
---	----------	---	----------

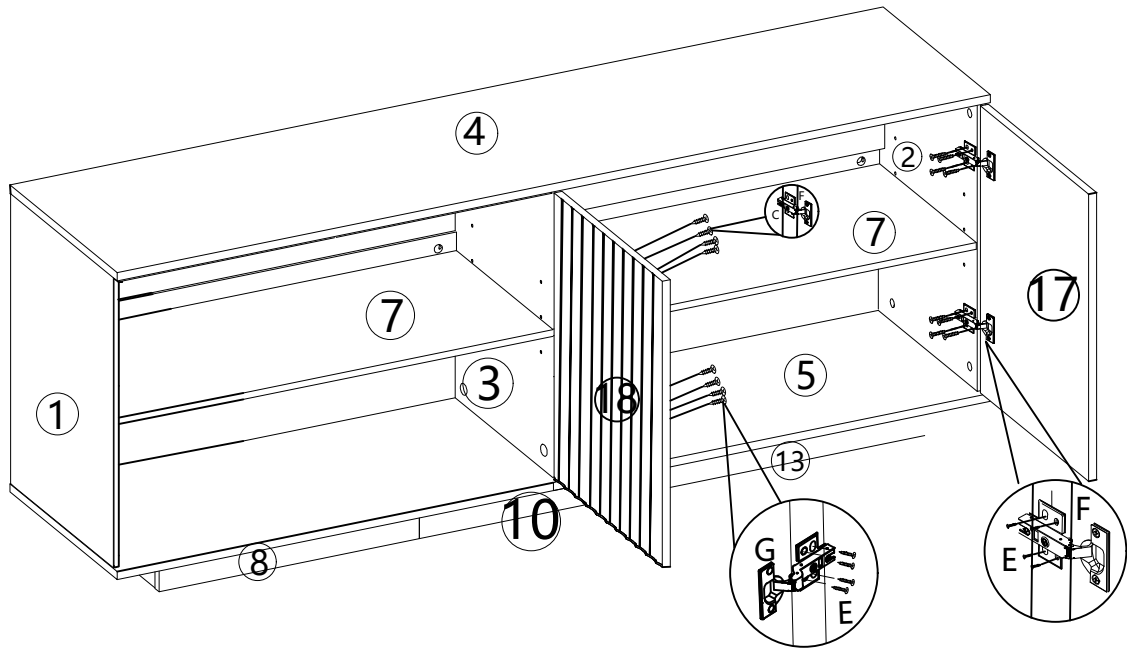
# STEP 28

# X2



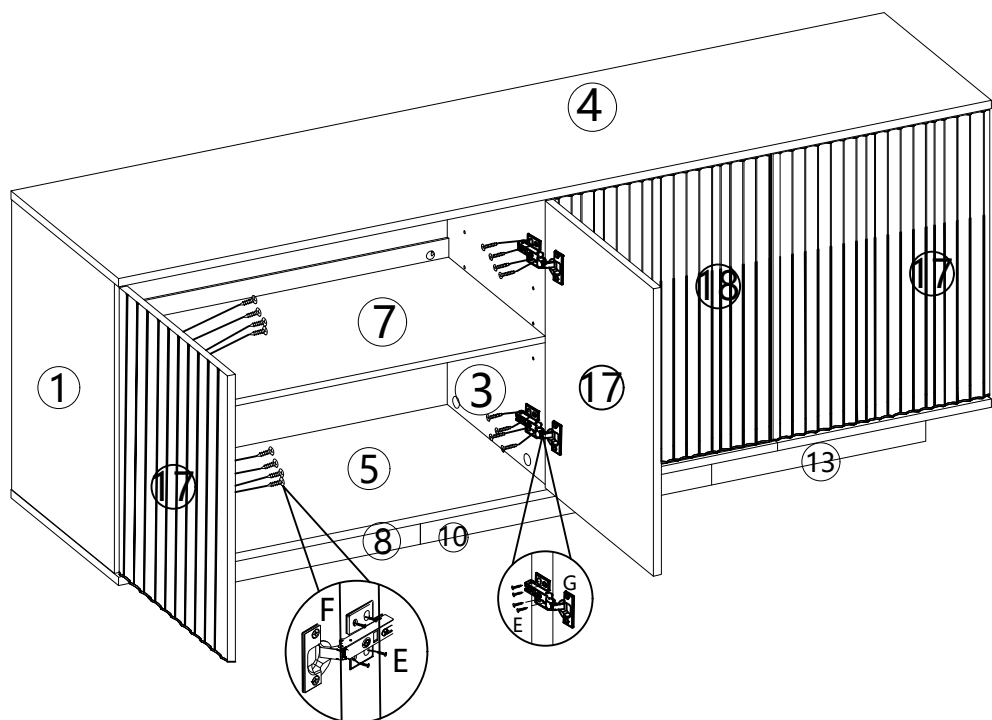
	D × 8PCS		F × 4PCS
---	----------	---	----------

# STEP 29



E × 16PCS

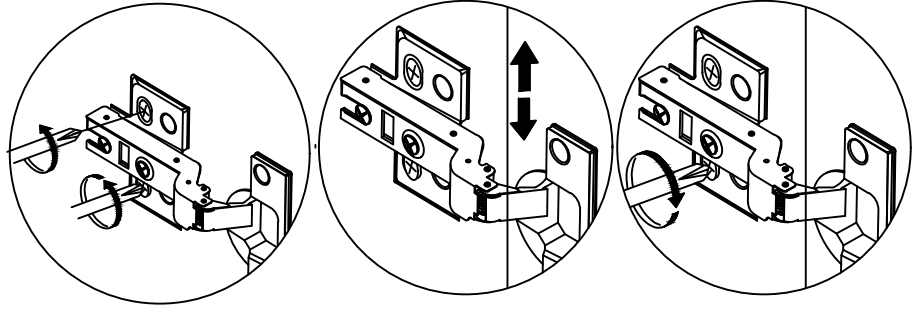
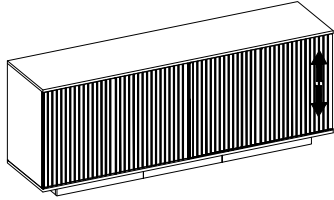
# STEP 30



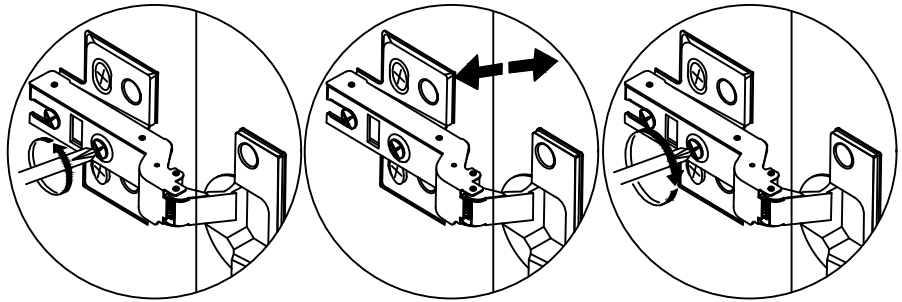
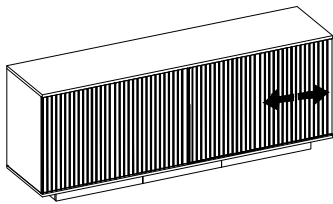
E × 16PCS

# STEP 31

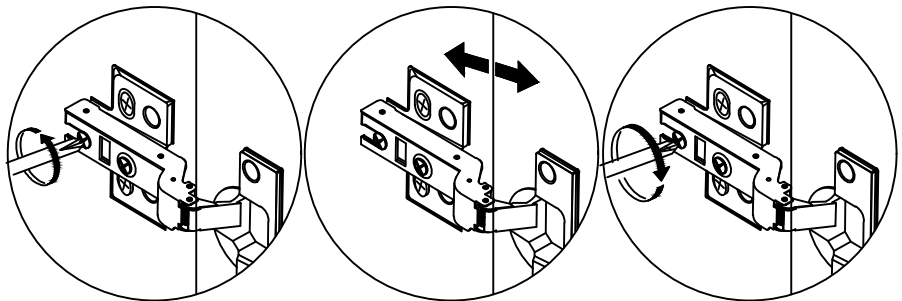
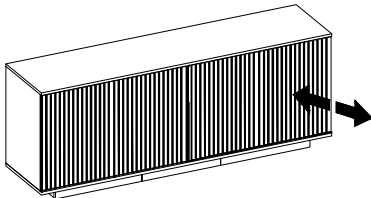
Cabinet door up and down fine adjustment



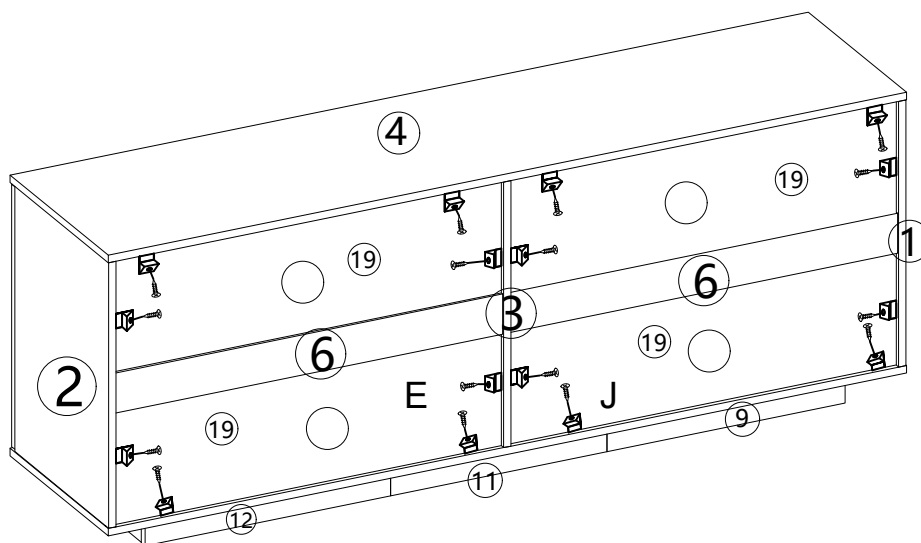
Cabinet door left and right fine adjustment



Fine-tune the gap after the cabinet door is closed

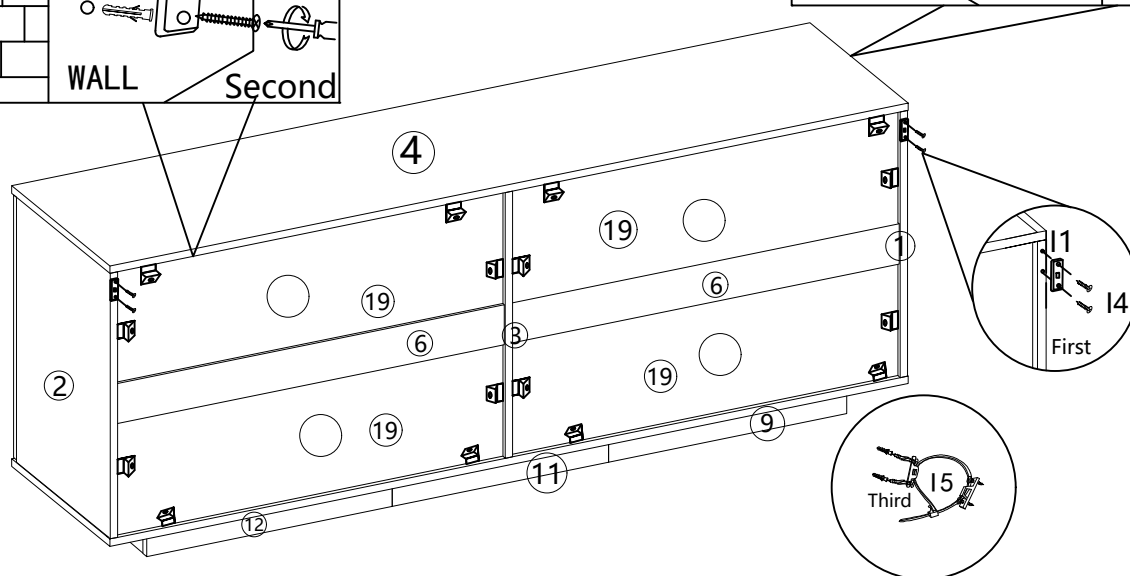
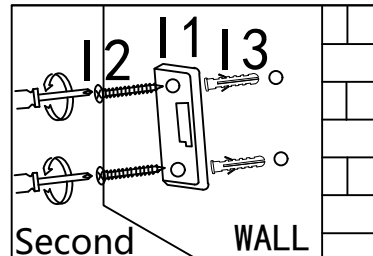
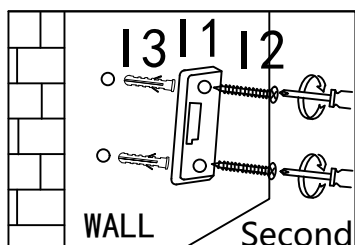


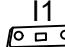



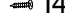
# STEP 32



	E × 16PCS		J × 16PCS
---	-----------	---	-----------

# STEP 33



	I1 × 4PCS		I2 × 4PCS
	I3 × 4PCS		I4 × 4PCS
	I5 × 2PCS	