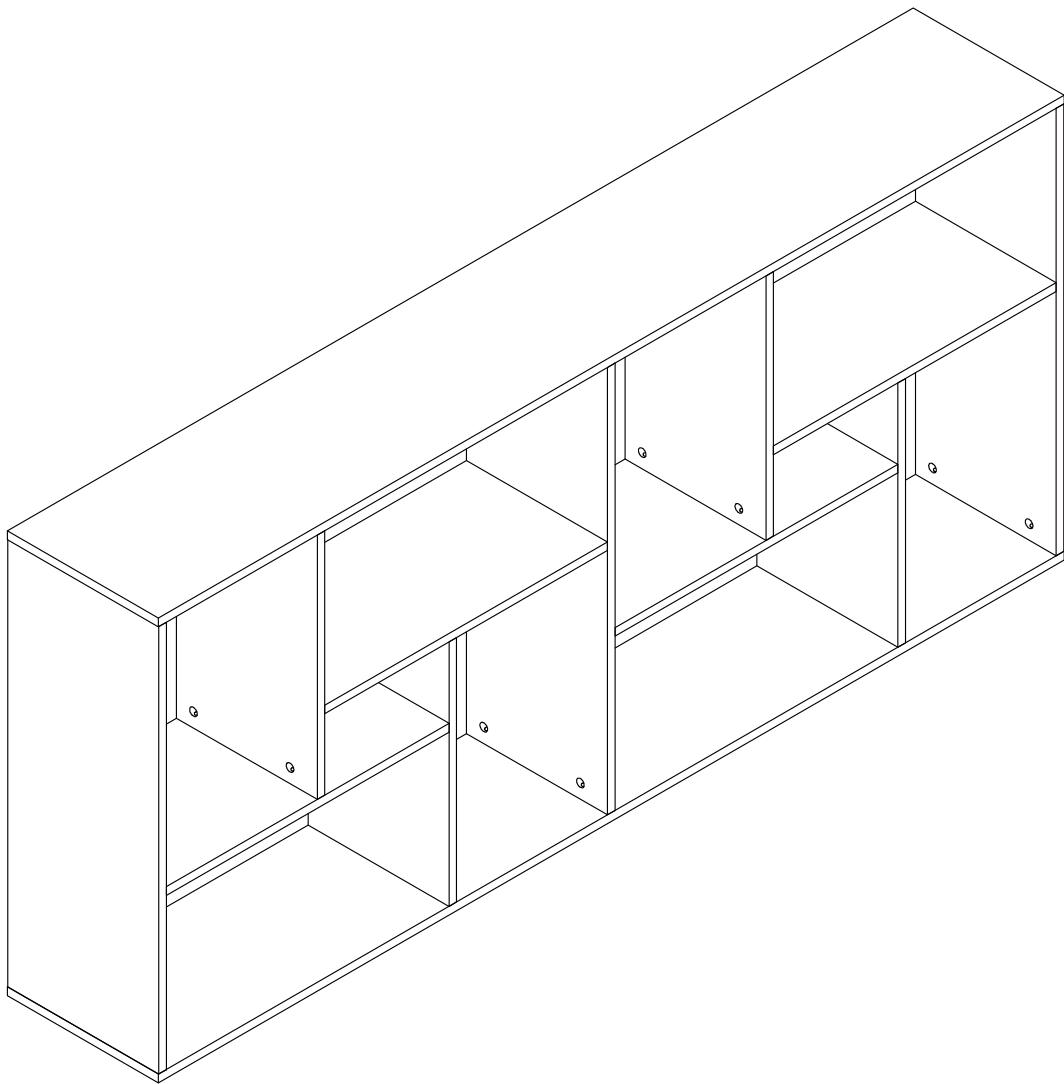


Assembly Instructions

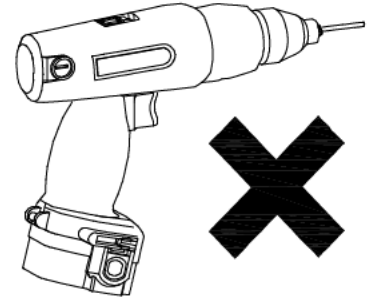
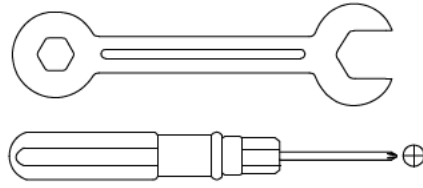
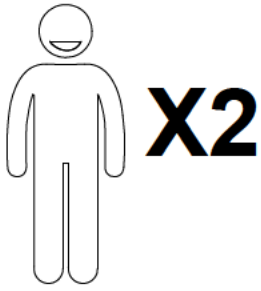


Sofa Table

Your satisfaction is our top priority. If you encounter any issues with this product, such as missing or damaged parts, we're here to help. Please retain the original packaging and take photos of the packaging and the product, then contact us as soon as possible.

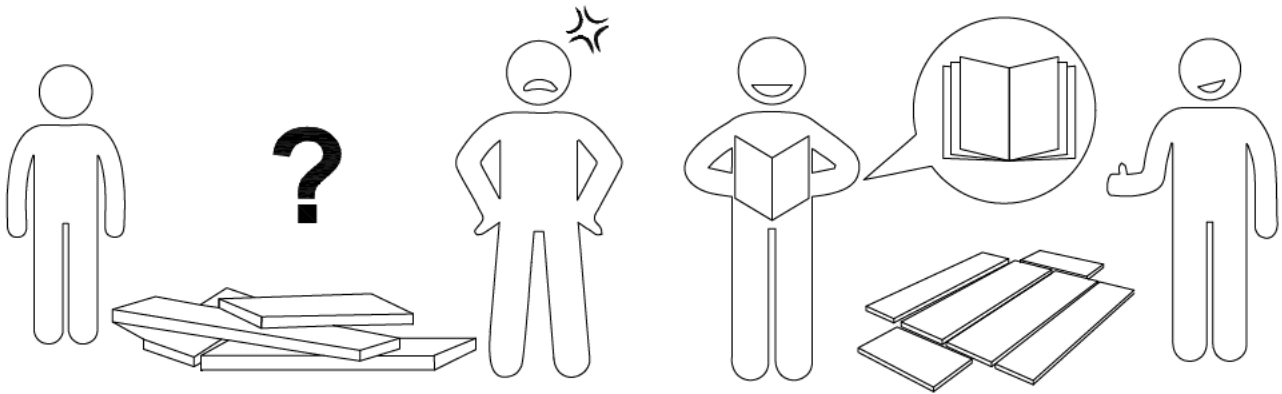
Warm Tips

1. Carefully read these instructions and keep them for future reference.
2. Check the parts list and confirm everything's there before starting assembly.
3. When assembling, put all parts on a soft, smooth surface like a carpet to avoid scratches.
4. Don't fully tighten screws until all parts are confirmed in place to avoid misalignment.



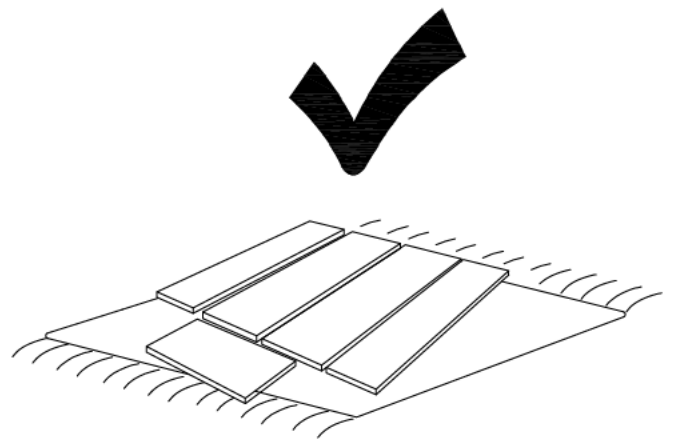
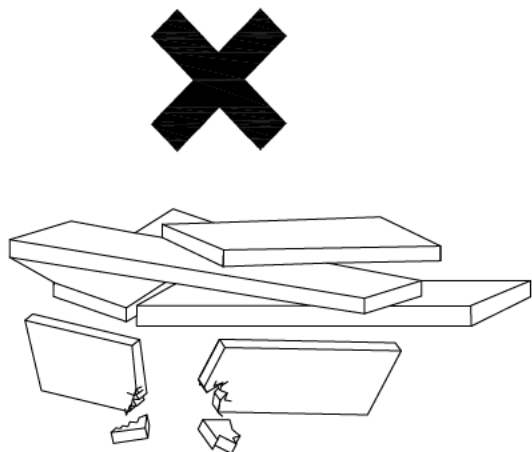
We recommend using hand tools for assembly.

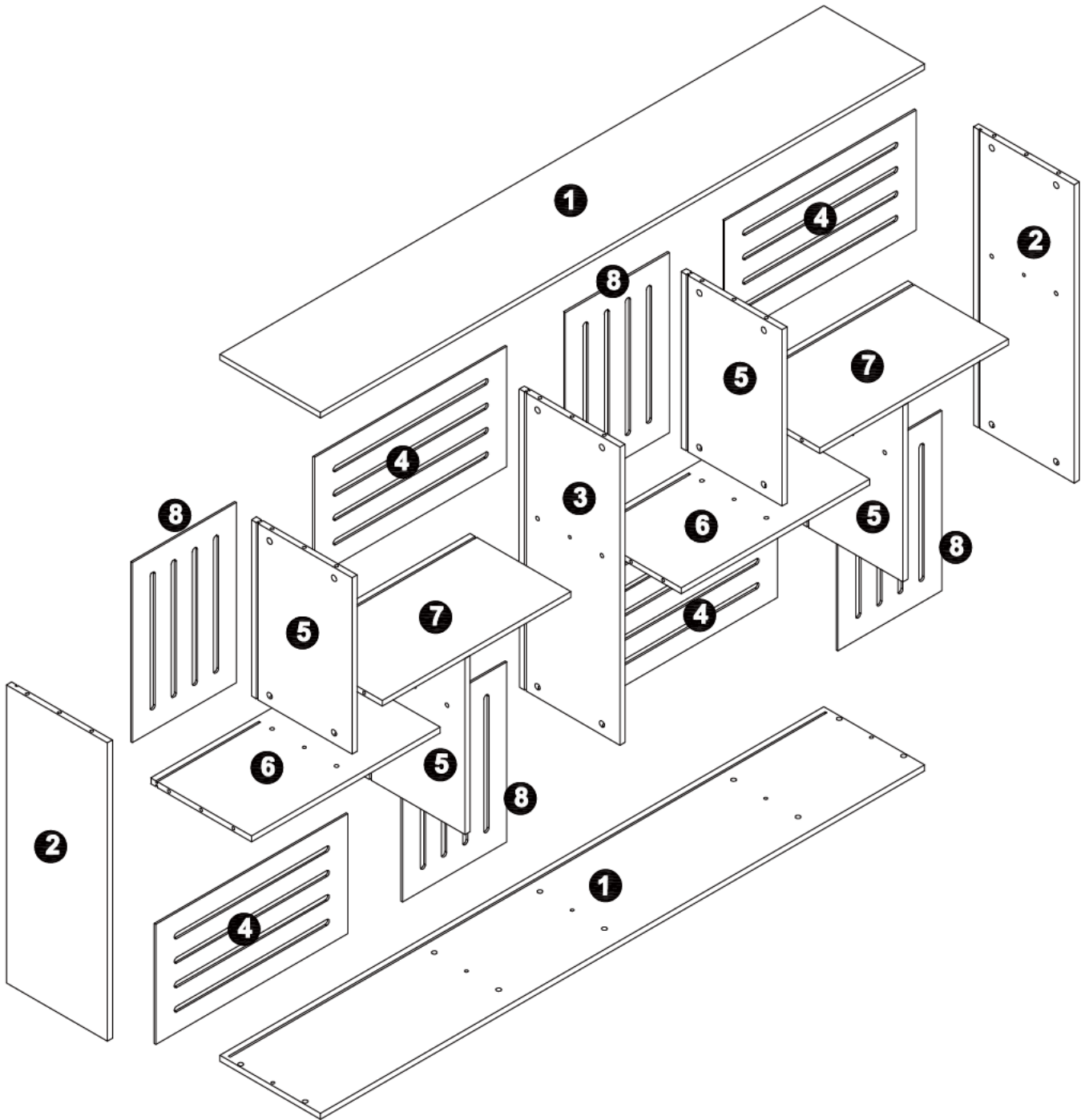
If an electric screwdriver is used, reduce power and torque to avoid damage to the product.



AVOID SCRATCHES

In order to avoid scratching, this furniture should be assembled on a soft surface, such as a rug.

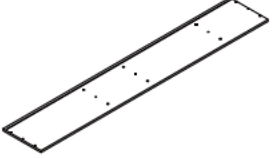
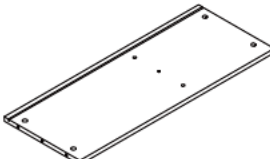
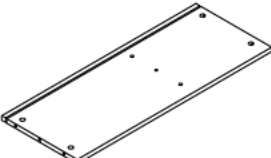
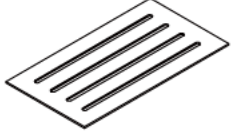
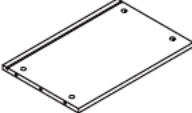
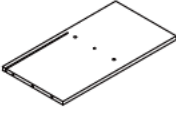
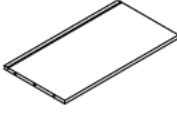
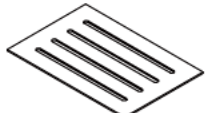






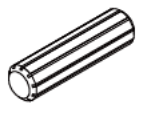
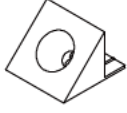



⚠ Caution



Make sure all parts are included. Most board parts are labeled or stamped on the raw edge. Contact us for a free replacement if you encounter any damaged or missing parts.

Parts List

<p>1</p>  <p>2 pcs</p>	<p>2</p>  <p>2 pcs</p>	<p>3</p>  <p>1 pc</p>	<p>4</p>  <p>4 pcs</p>	<p>5</p>  <p>4 pcs</p>
<p>6</p>  <p>2 pcs</p>	<p>7</p>  <p>2 pcs</p>	<p>8</p>  <p>4 pcs</p>		

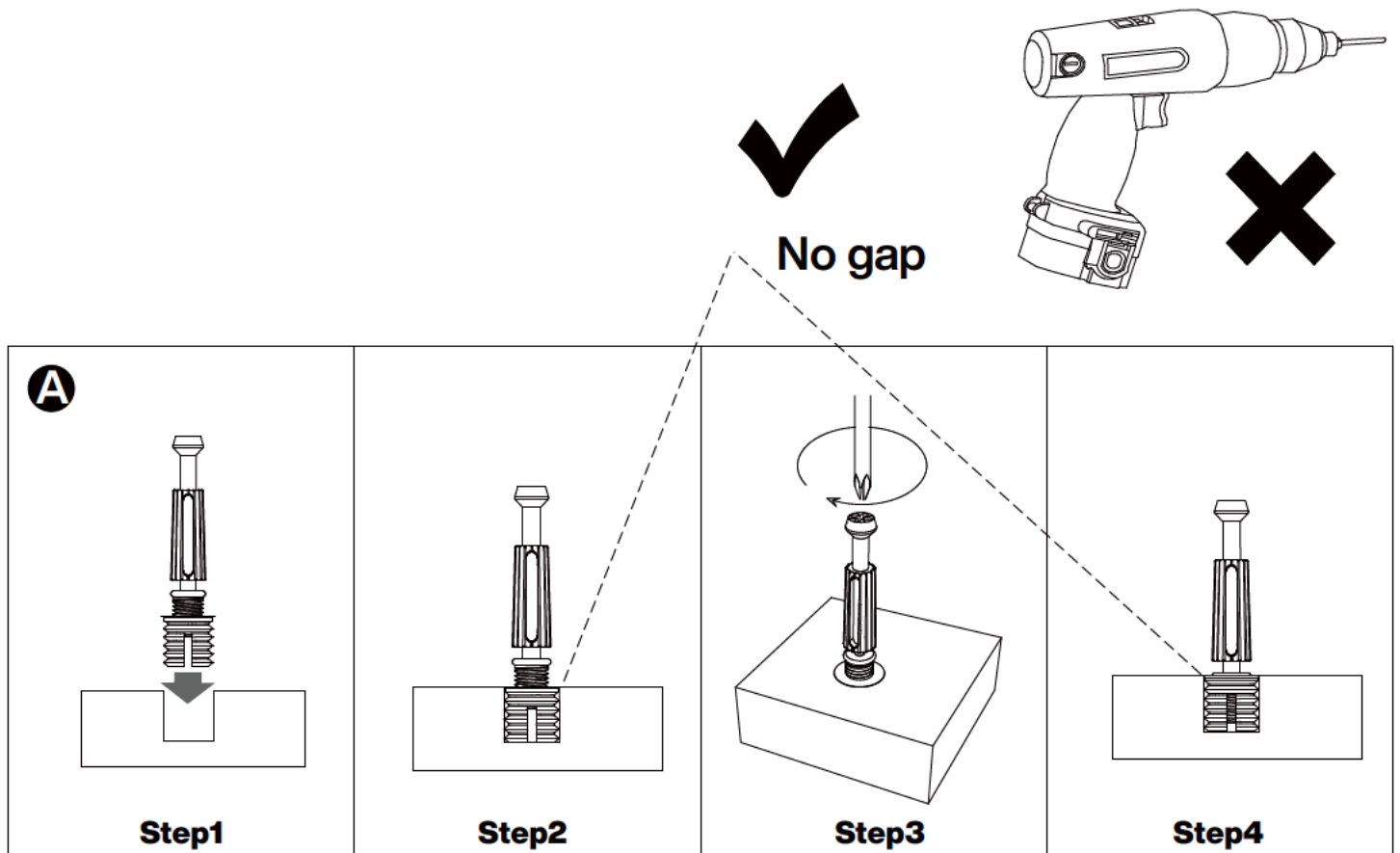
Hardware List

A	B	C	D	E	F	G
 <p>M6x35mm</p>	 <p>Ø12x10mm</p>	 <p>Ø8x30mm</p>		 <p>Ø3.5x14mm</p>		
44+1 pcs	44+1 pcs	22+1 pcs	16+1 pcs	16+1 pcs	1 pc	6 pcs

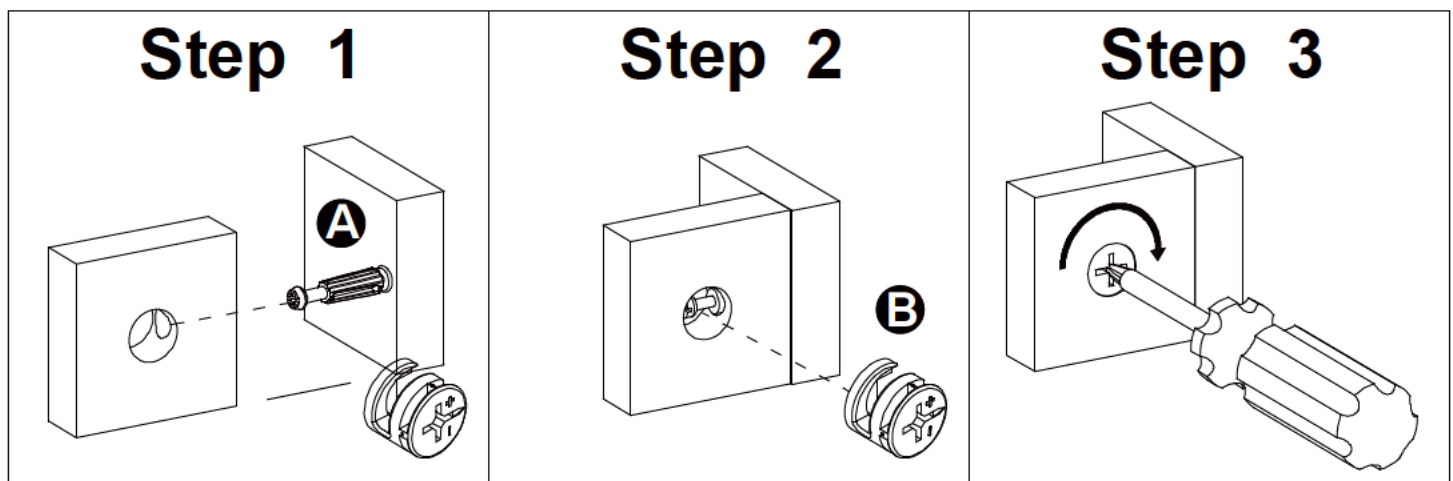
H	I					
 <p>Ø18 Hole paste</p>	 <p>Screwdriver</p>					
28 pcs	1 pc					

Installation of Cams and Pins



Read each step carefully before starting. Each step of instruction should be performed in the correct order. If these steps are not followed in sequence, assembly difficulties may occur.

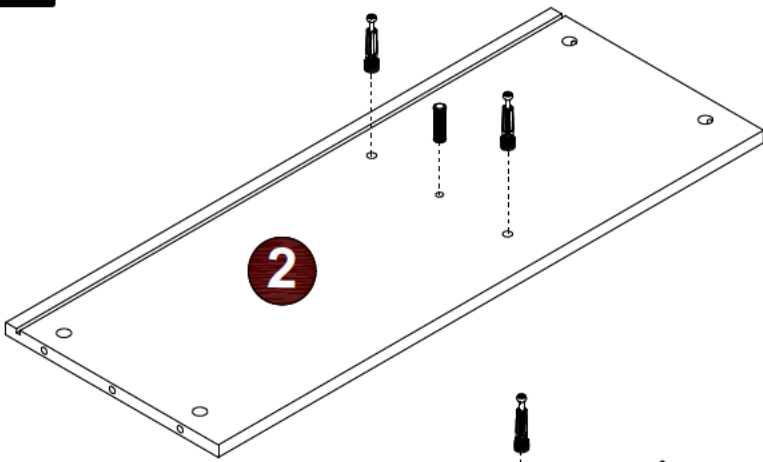


Screw the pin into the hole. Set the cams correctly by aligning the head of the cams with the lock pins. Lock the cam by turning the cam head with a screwdriver until it is tightened. Please do not use an electric screwdriver to assemble the unit.

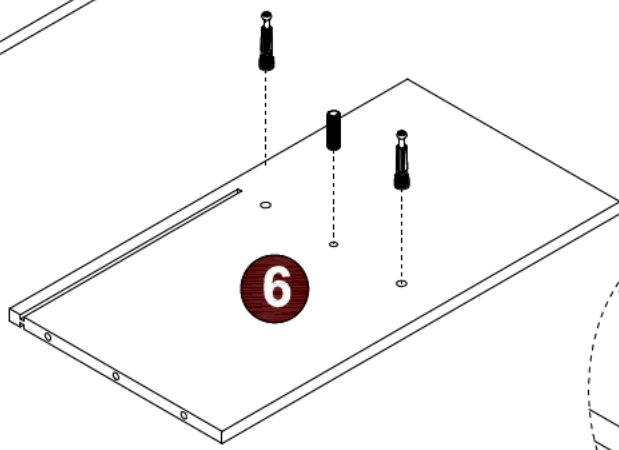


1

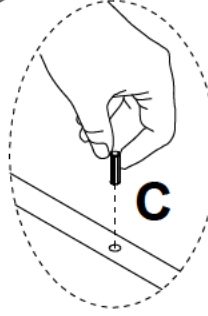
C	A
	
Ø8x30mm 4 pcs	M6x35mm 8 pcs



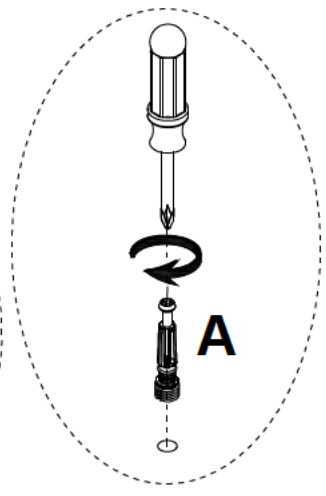
2



6




C

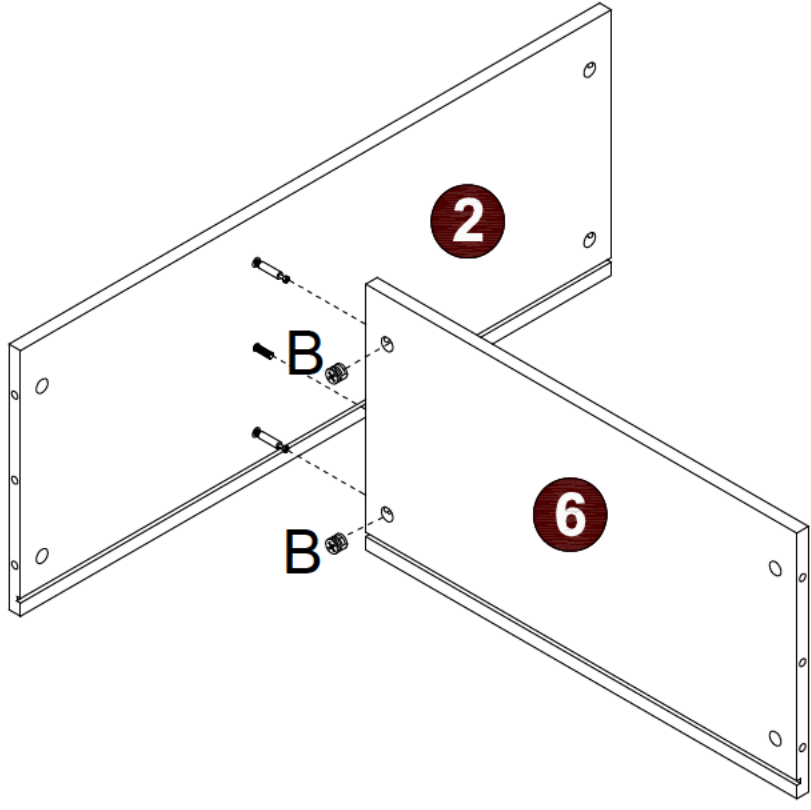
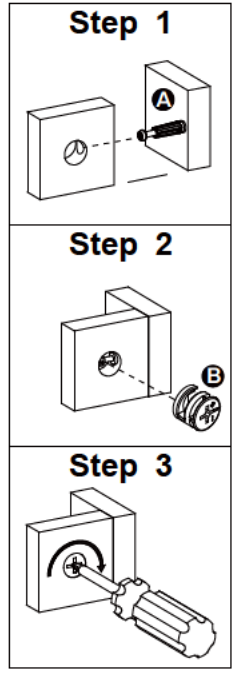


A

X2

2

B

Ø12x10mm 2 pcs





2

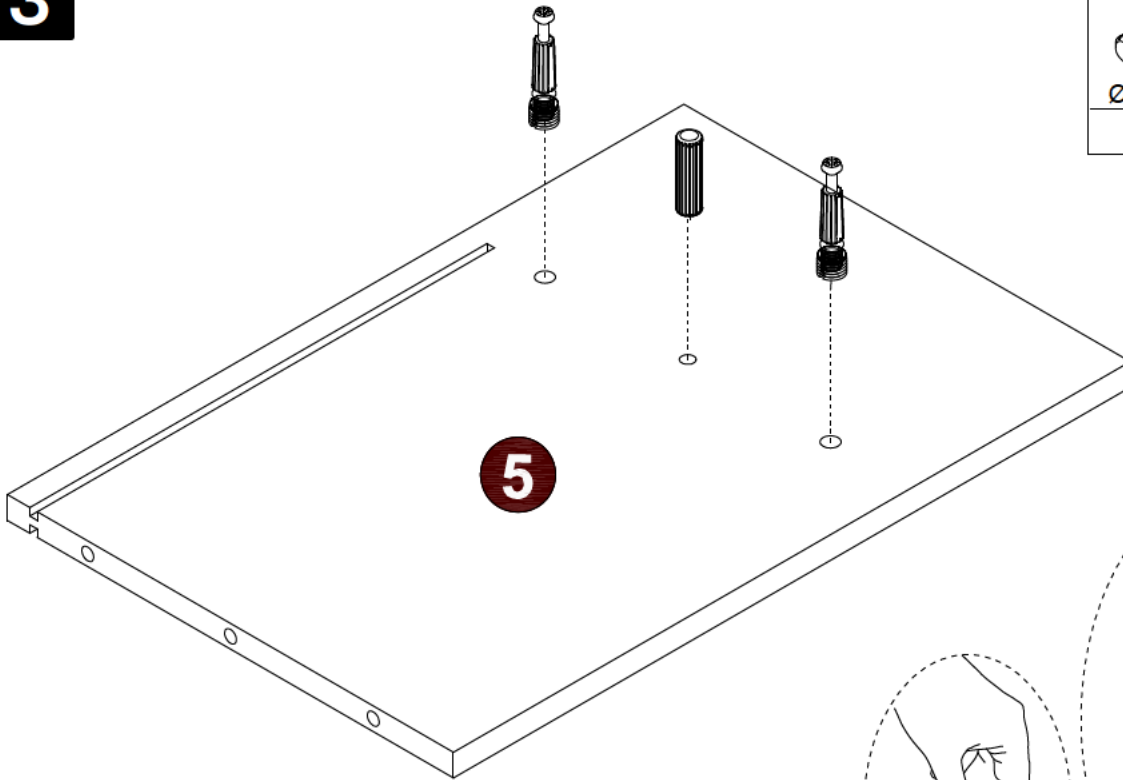
6

B

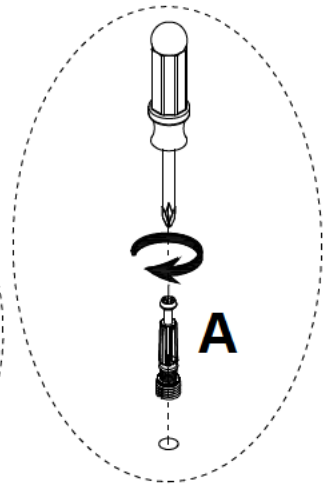
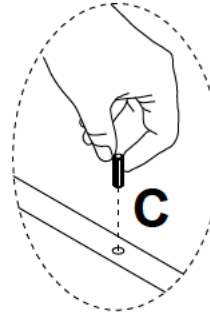
B

3


C	A
	
Ø8x30mm	M6x35mm
4 pcs	8 pcs

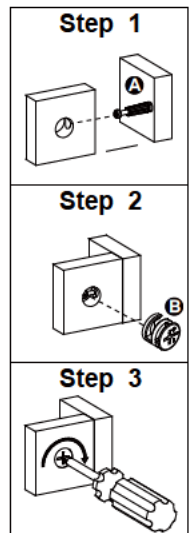
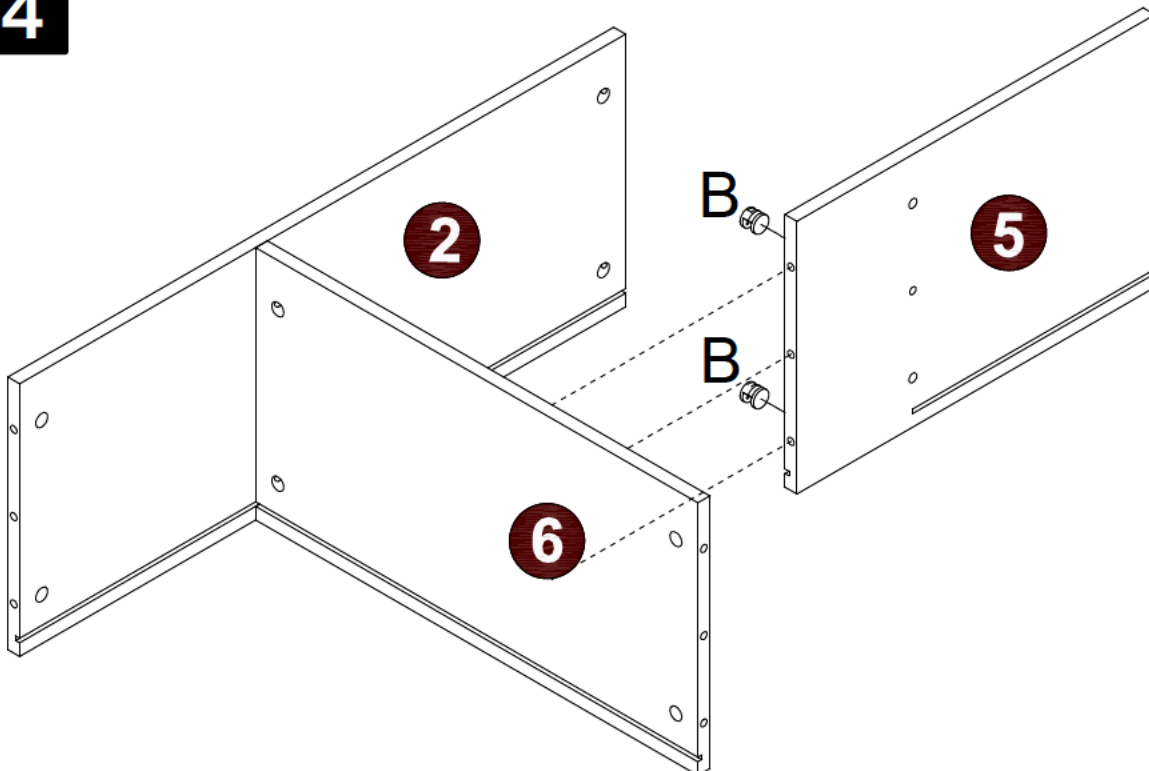


X4





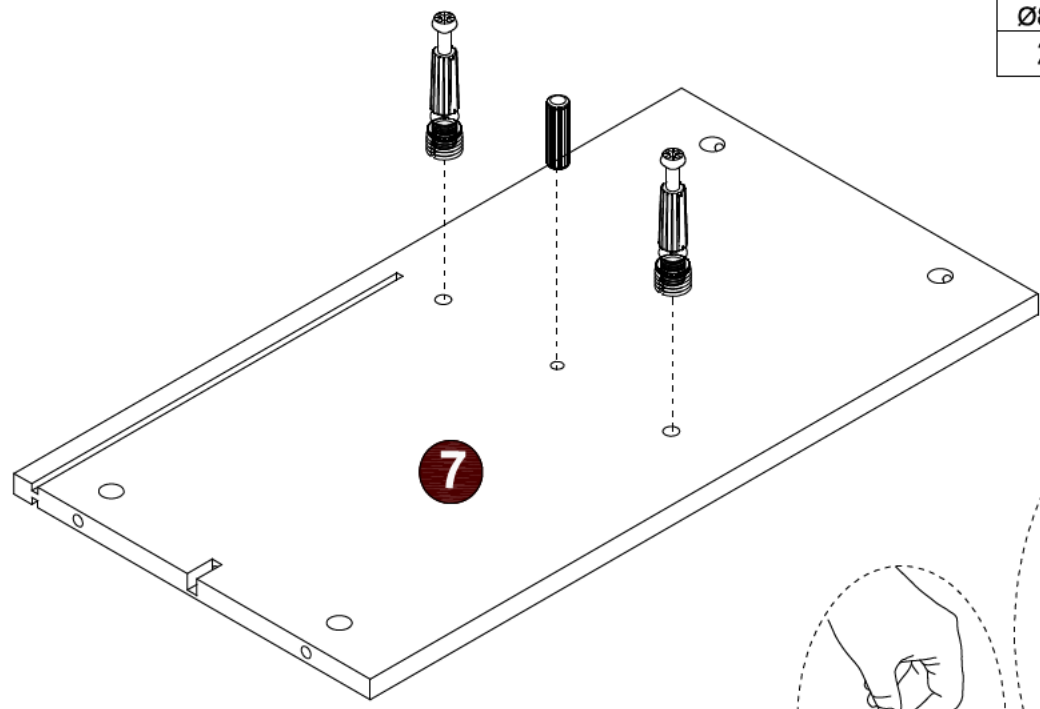
4

B

Ø12x10mm
2 pcs

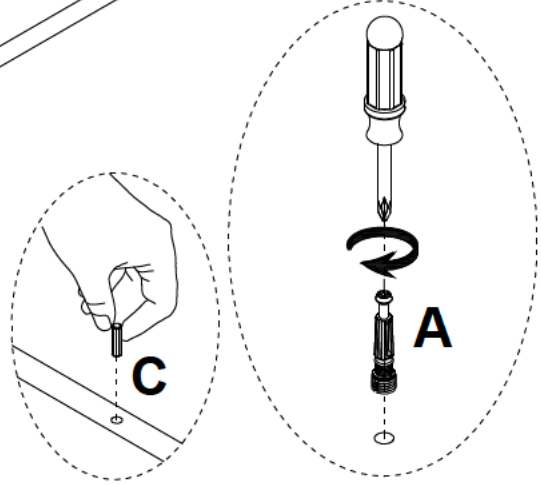


5


C	A
	
Ø8x30mm	M6x35mm
2 pcs	4 pcs

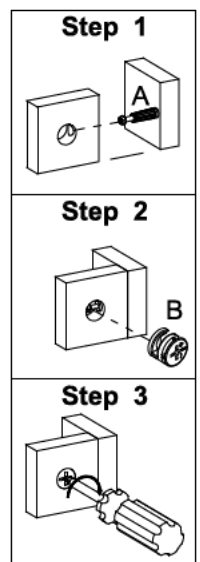
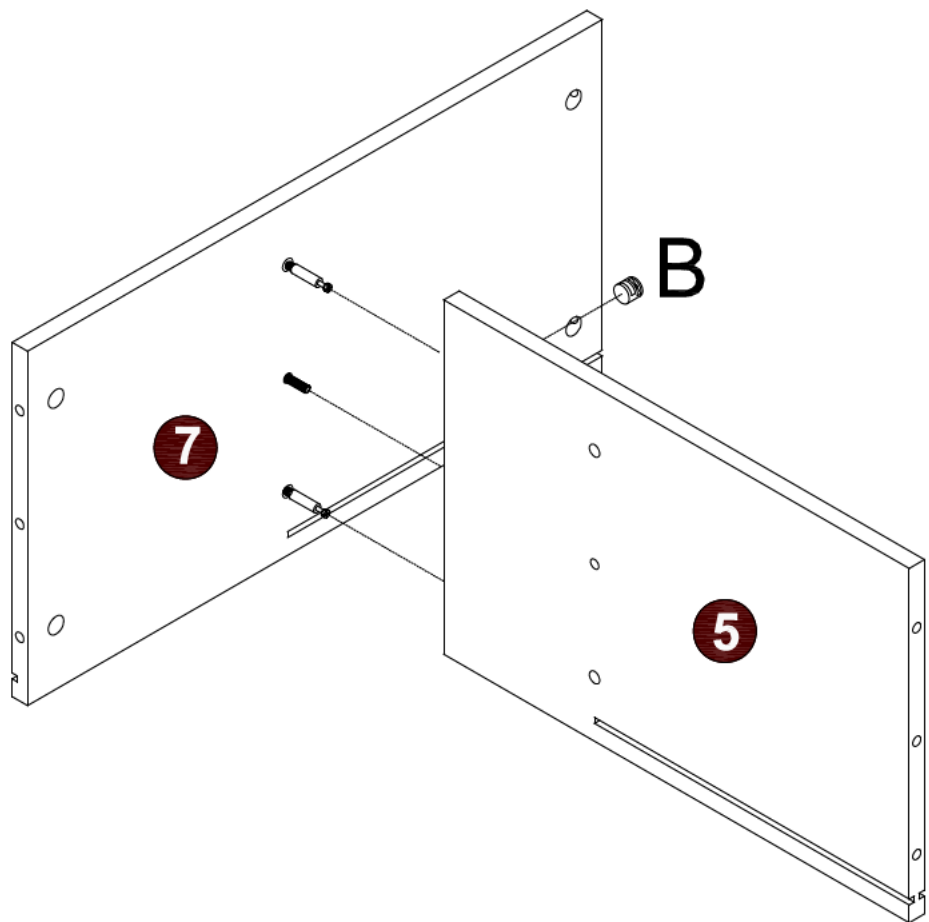


X2

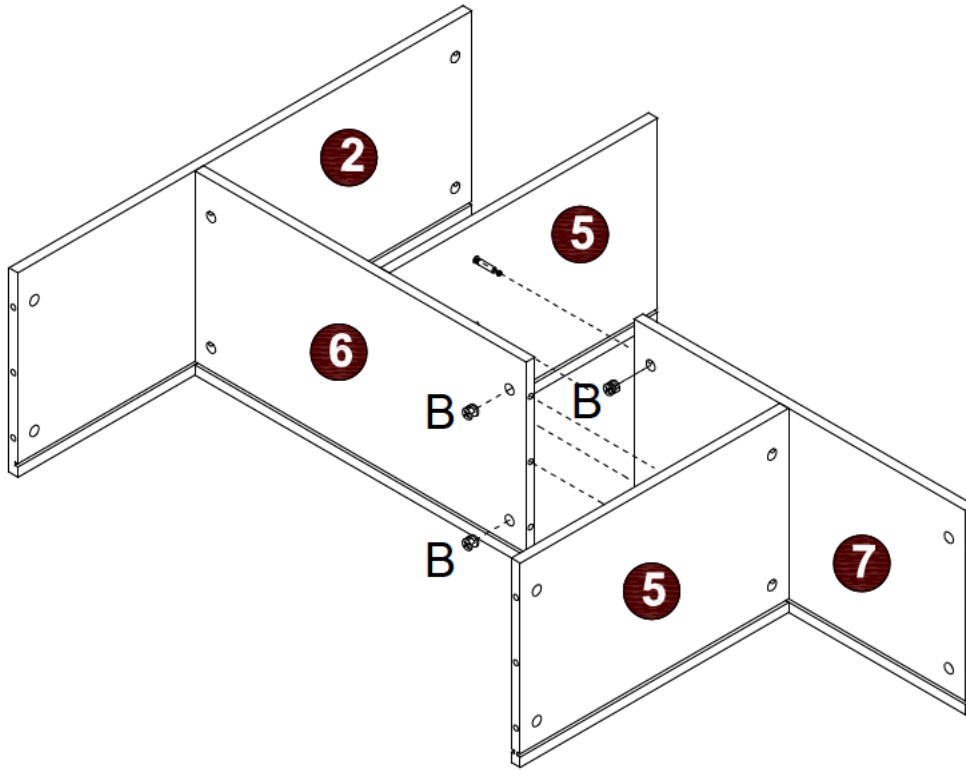



6

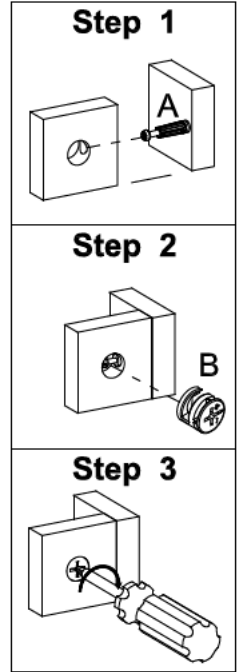
B

Ø12x10mm
2 pcs



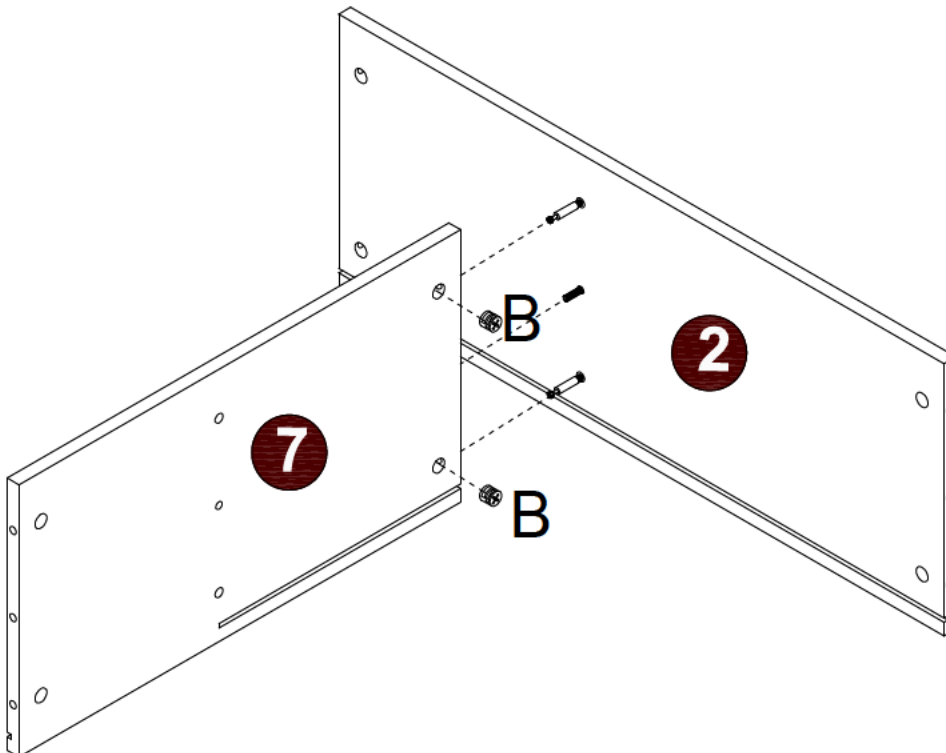
7




B

Ø12x10mm
4 pcs

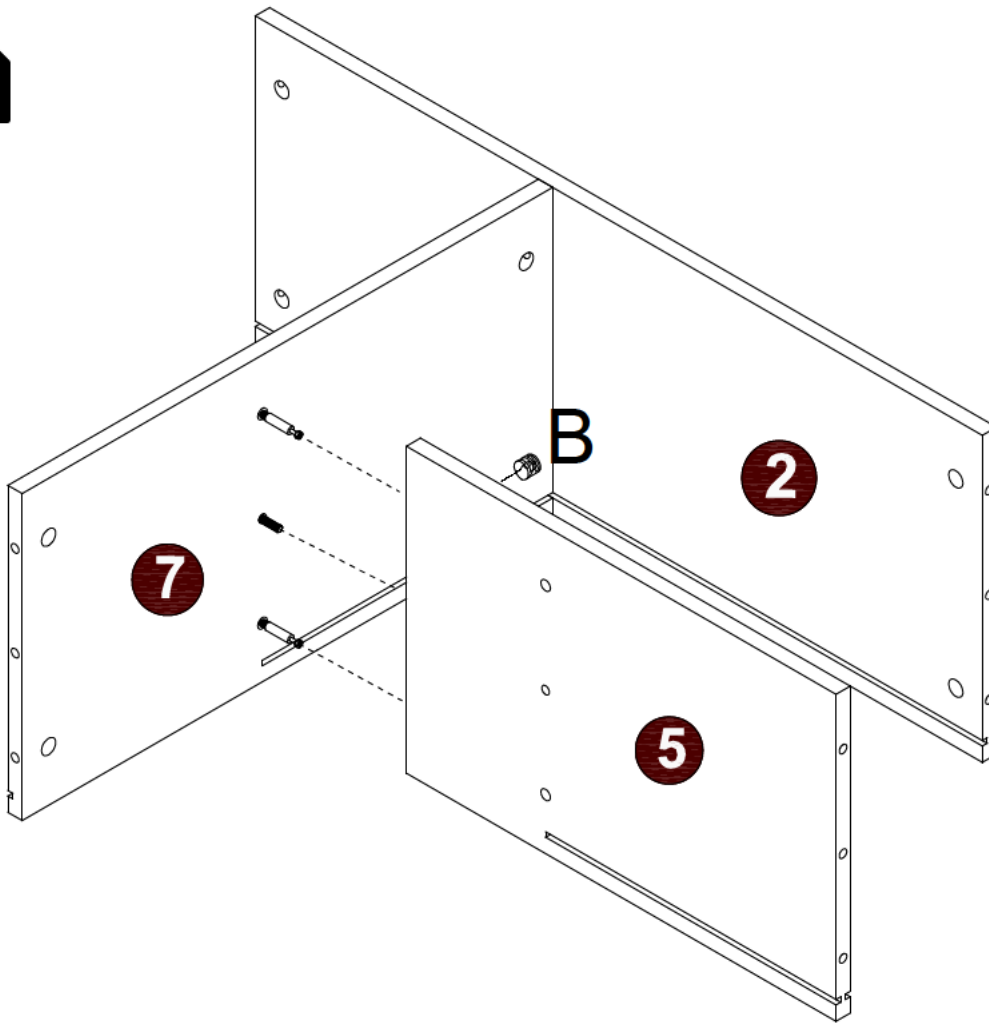



8



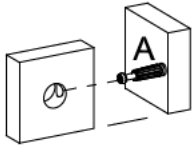
B

Ø12x10mm
2 pcs

9

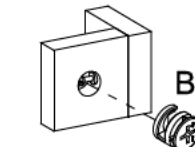


B

Ø12x10mm
2 pcs

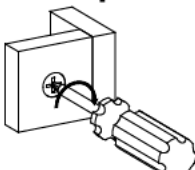
Step 1



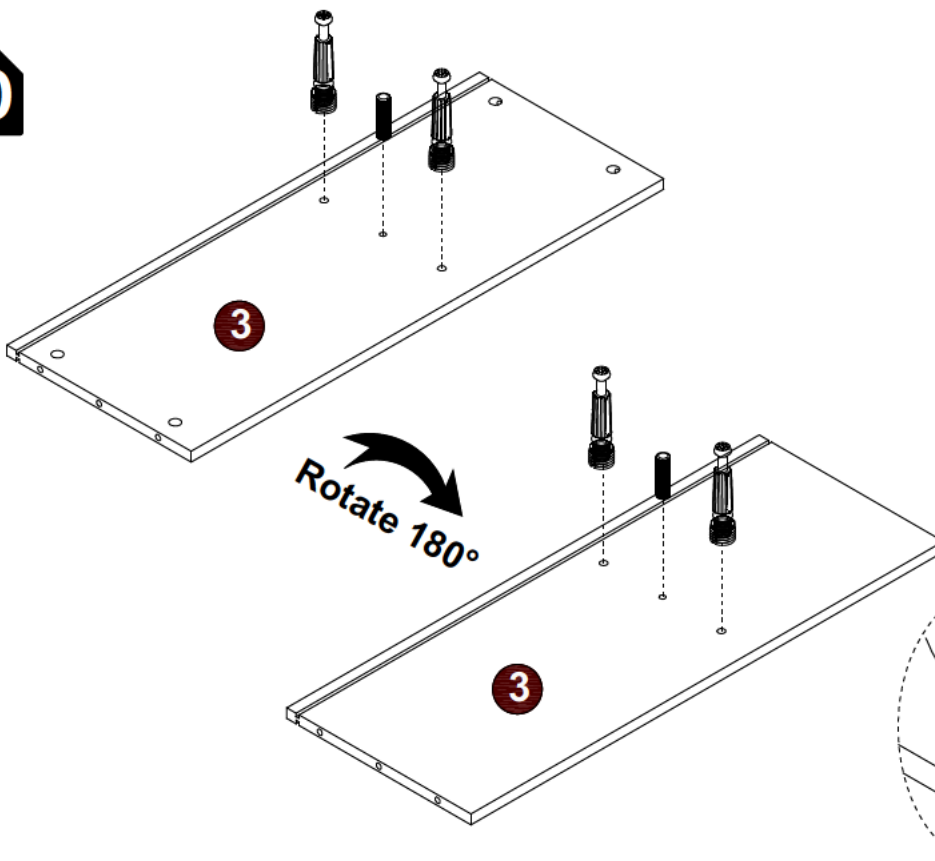
Step 2





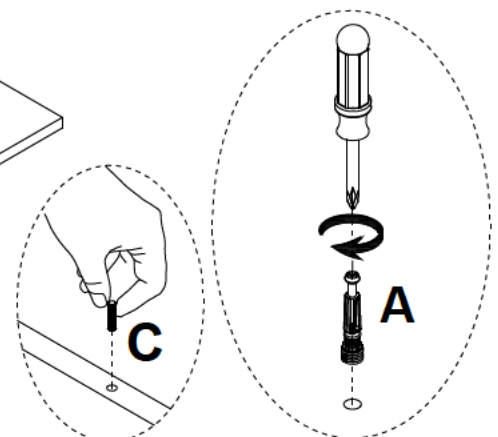
Step 3



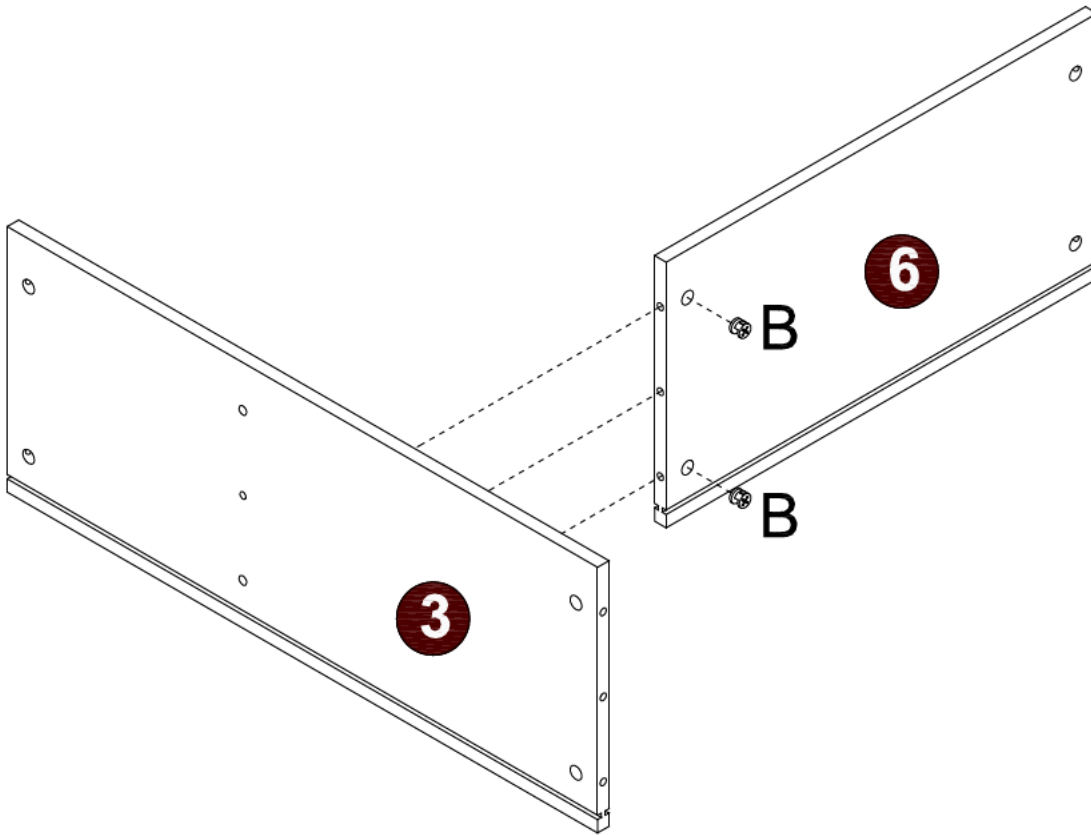
10




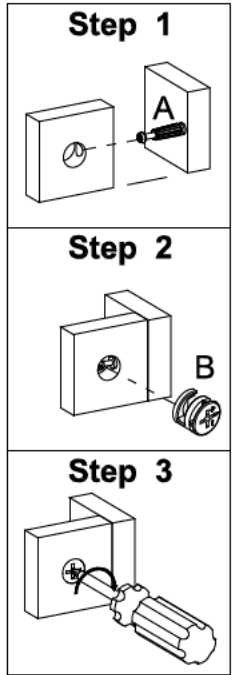
C	A
	
Ø8x30mm	M6x35mm
2 pcs	4 pcs



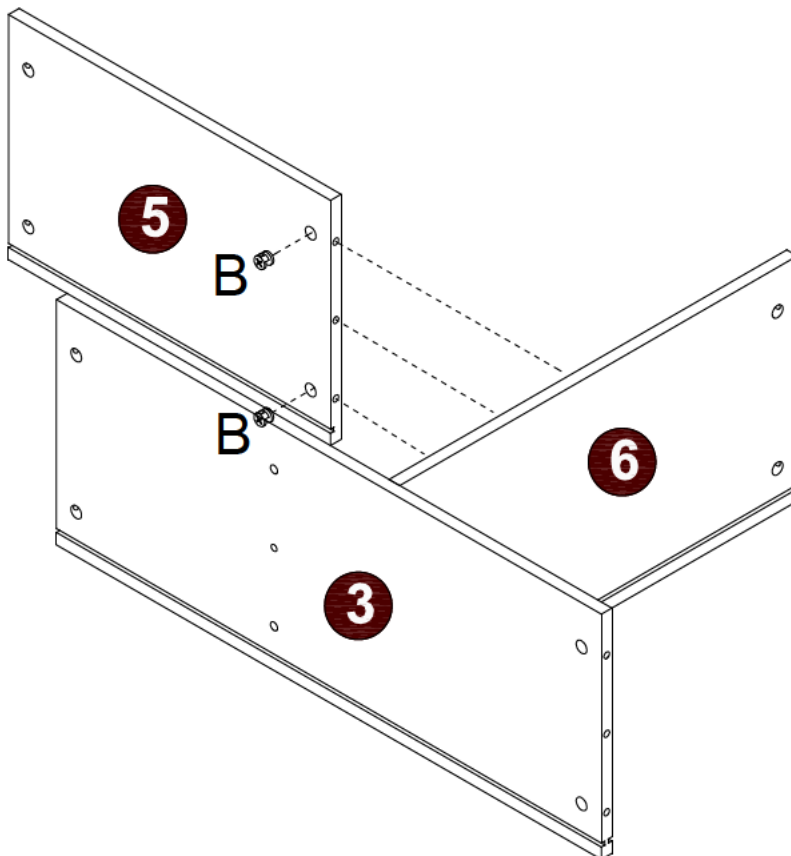
11




B

Ø12x10mm
2 pcs

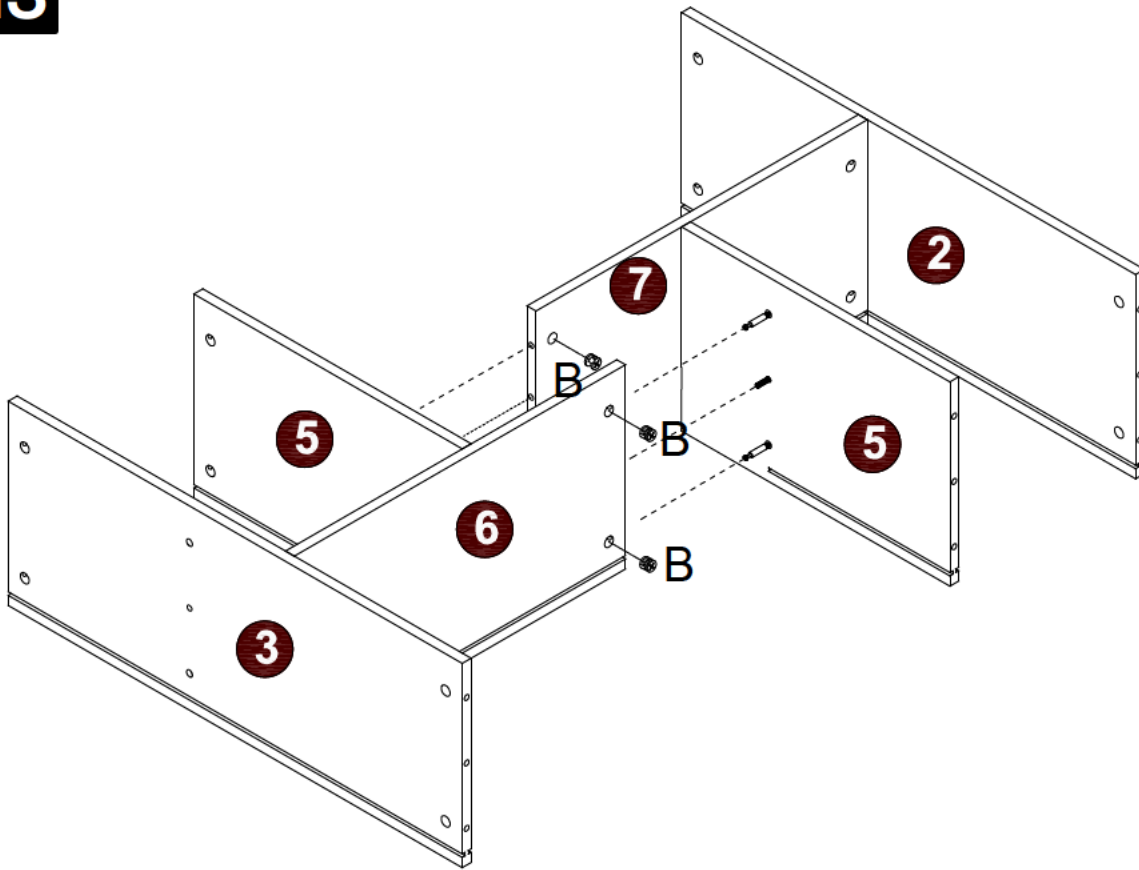



12



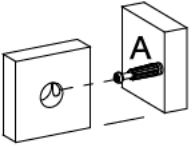
B

Ø12x10mm
2 pcs

13

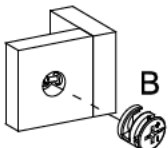


B

Ø12x10mm
4 pcs

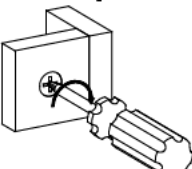
Step 1



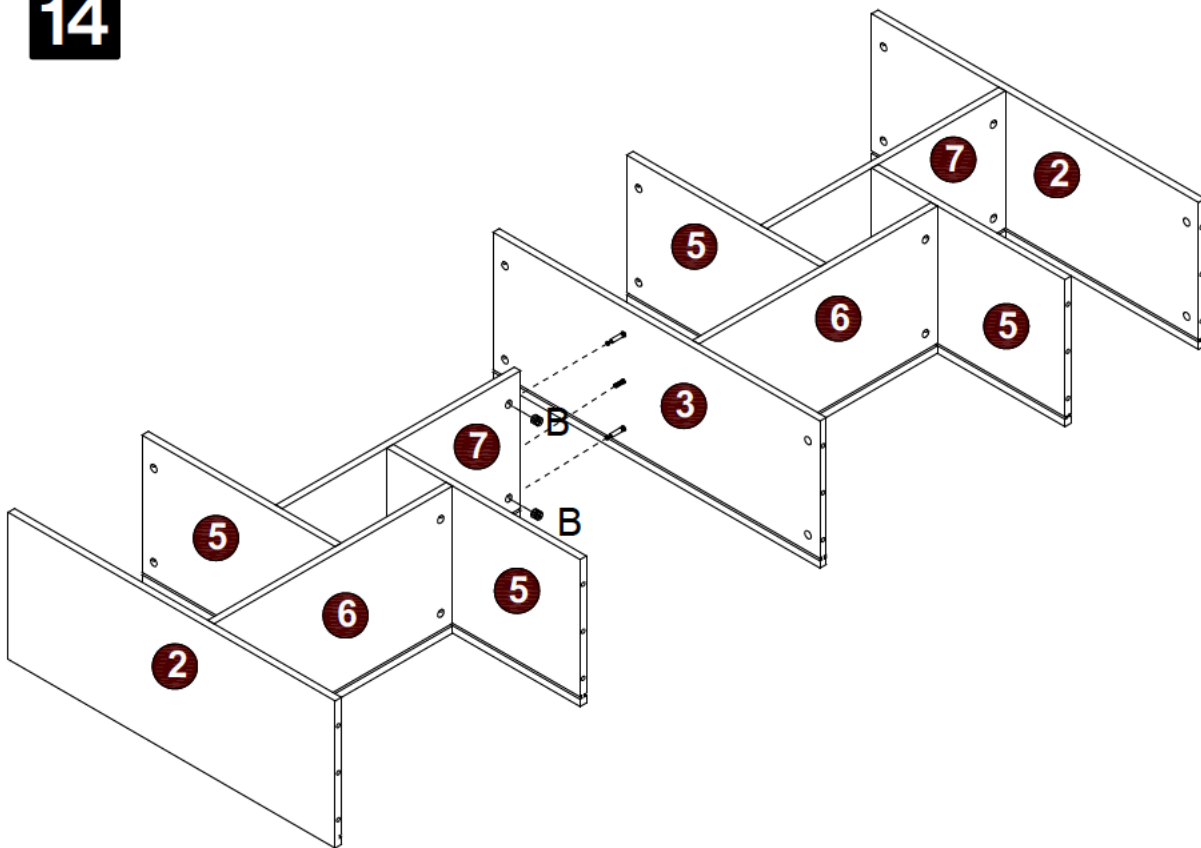
Step 2




Step 3

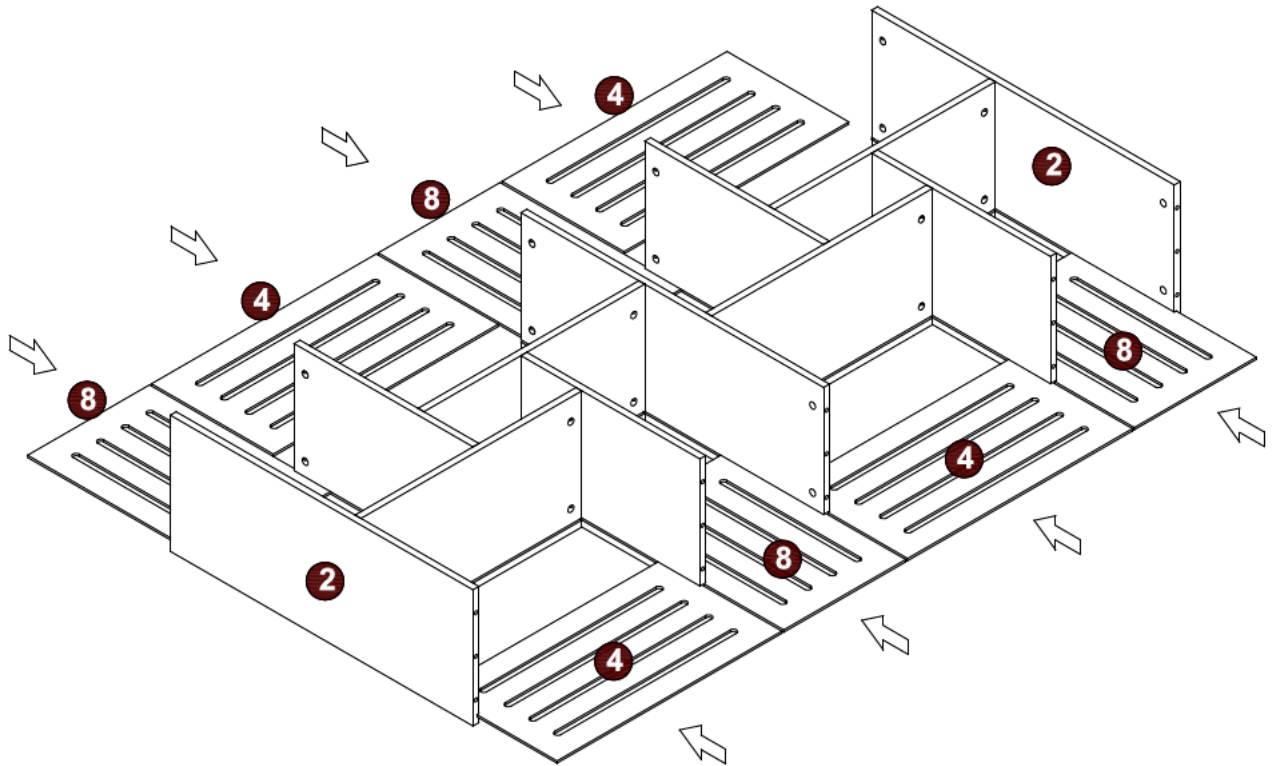


14

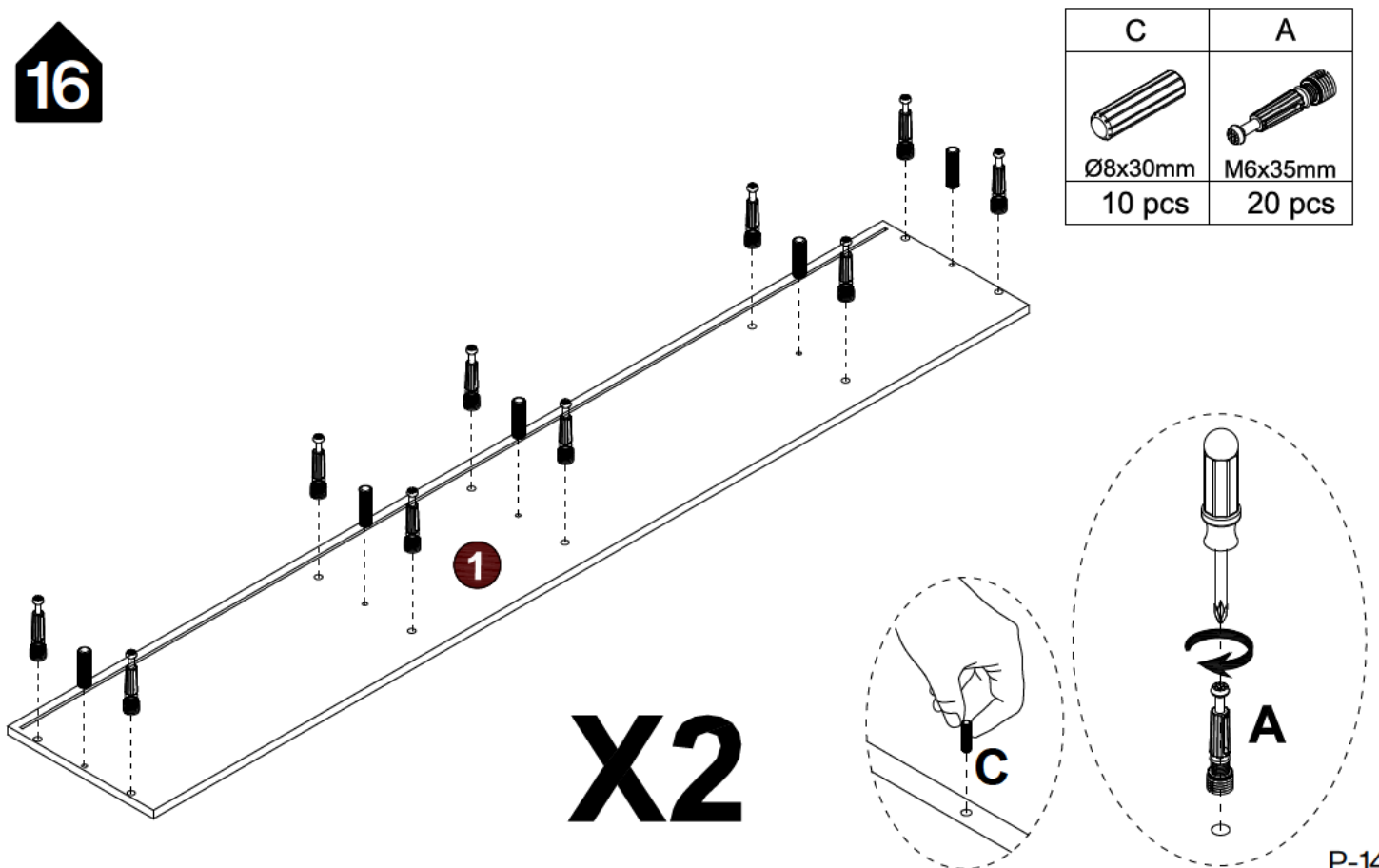


B

Ø12x10mm
2 pcs

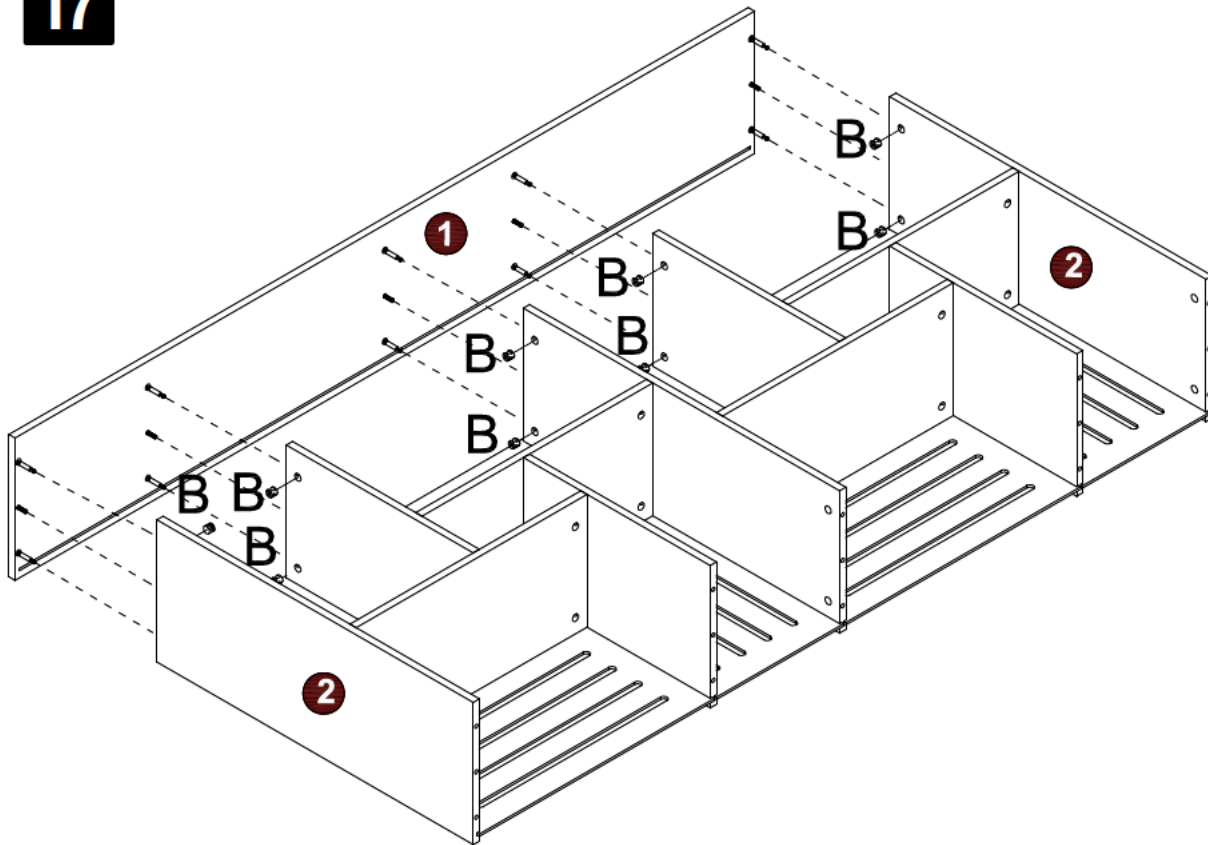
15




16

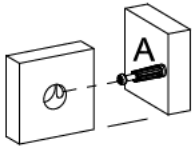


17

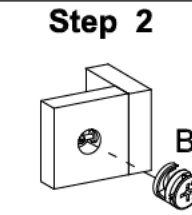


B

Ø12x10mm
10 pcs

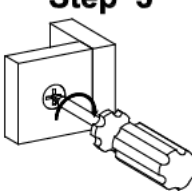
Step 1



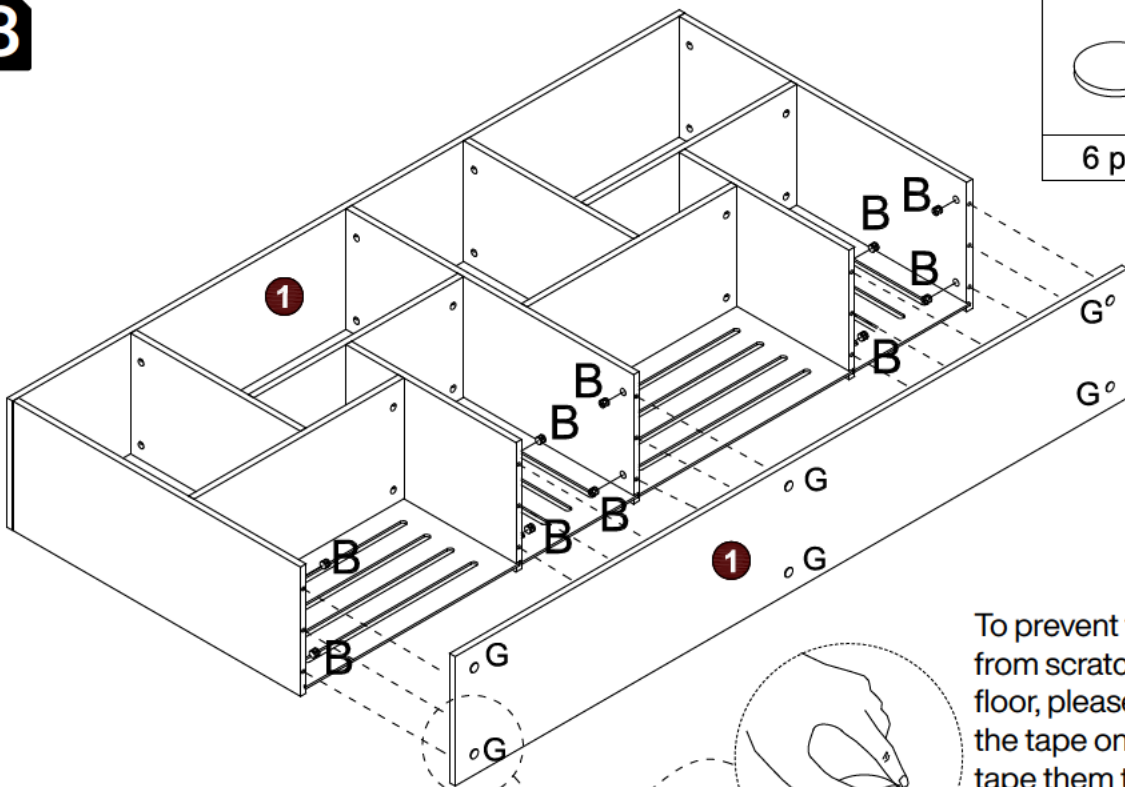
Step 2





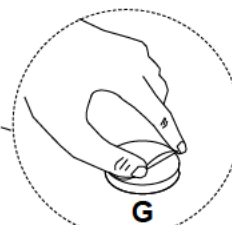
Step 3



18

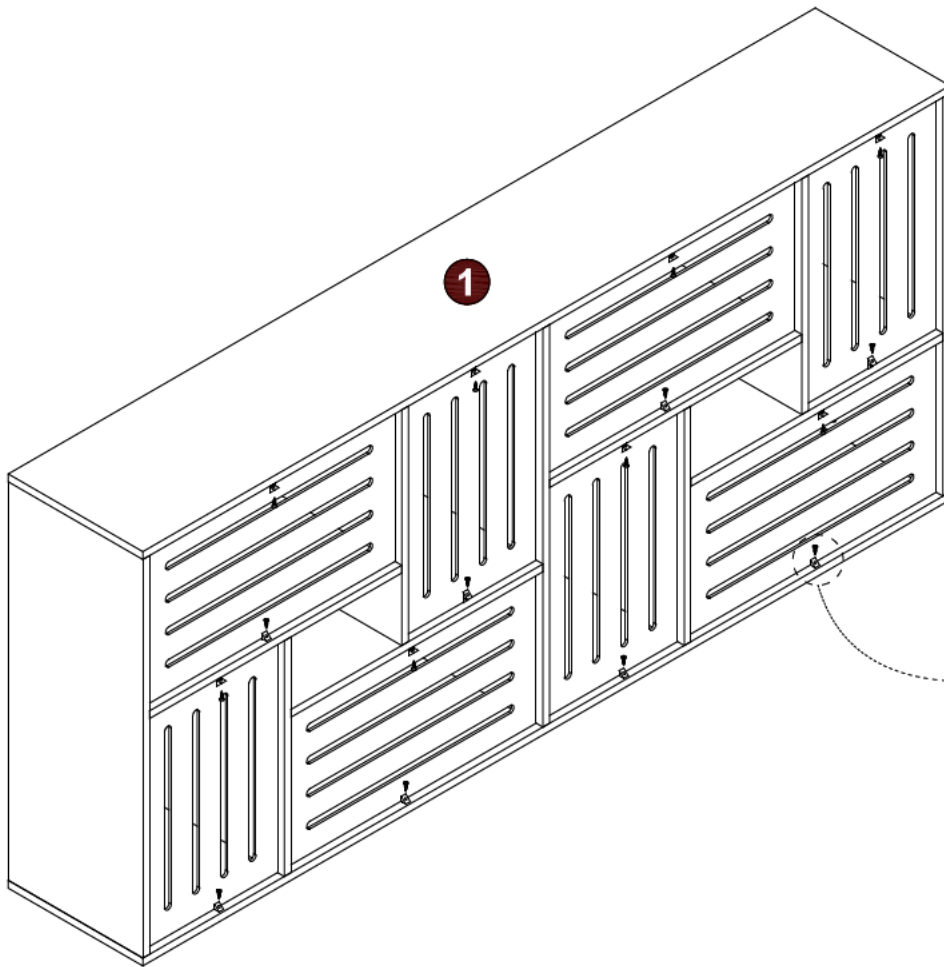




G	B
	
6 pcs	Ø12x10mm
	10 pcs

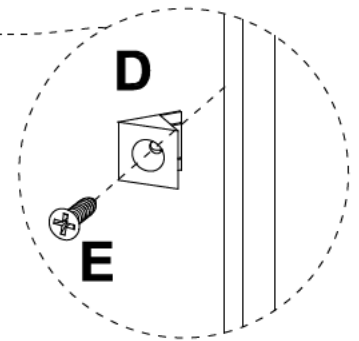


To prevent the table from scratching the floor, please peel off the tape on the #M and tape them to the corners of the table before use.

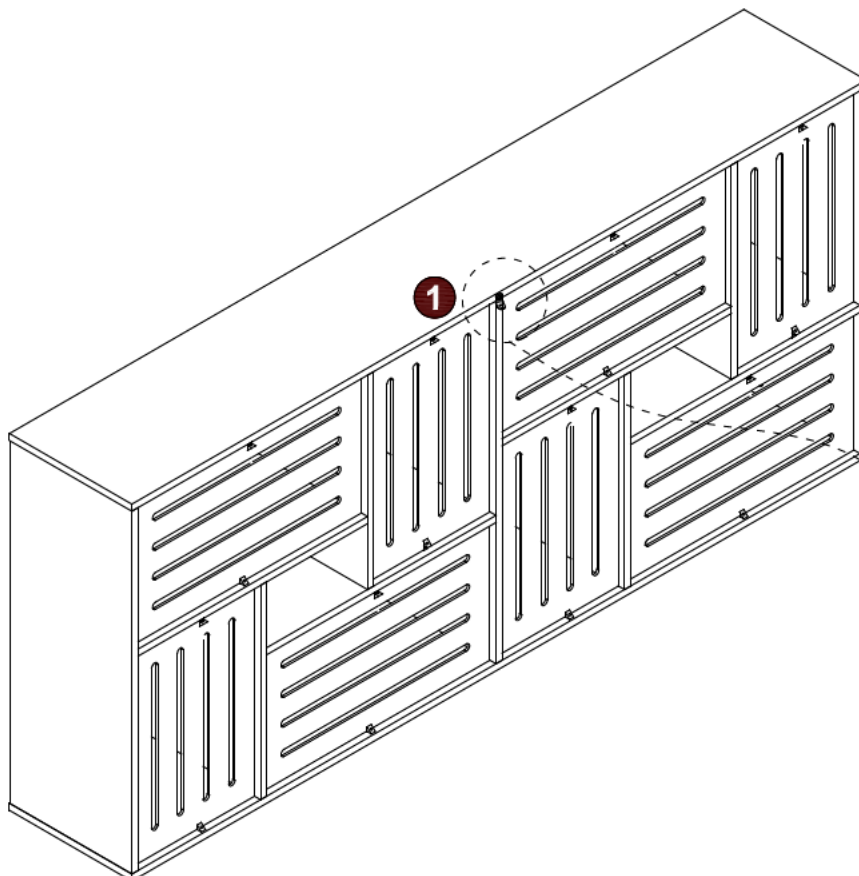
19




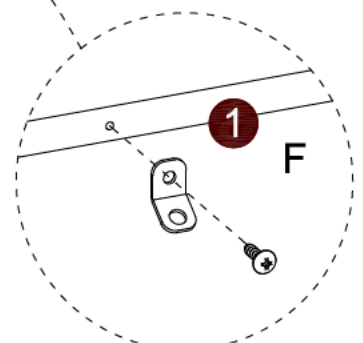
E	D
	
Ø3.5X14MM	
16 pcs	16 pcs



20



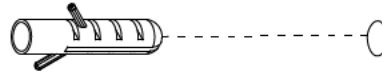
F

1 pc



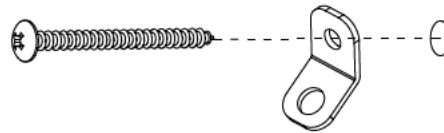
21

Wall

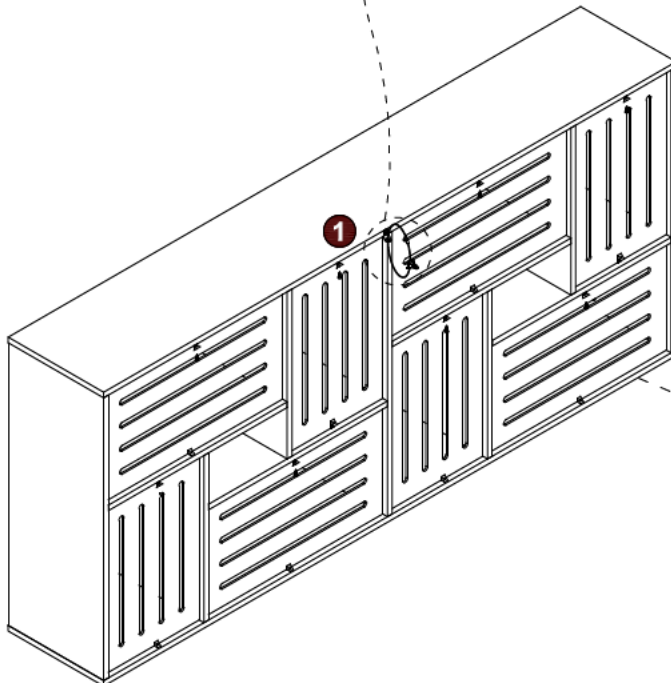
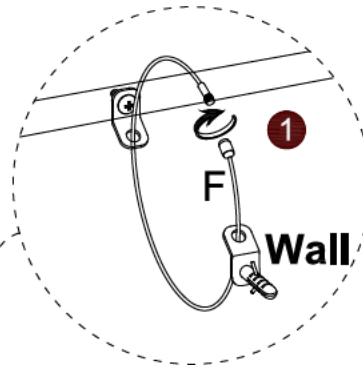
Step1



Step2



Step3



Thank you for your support!

