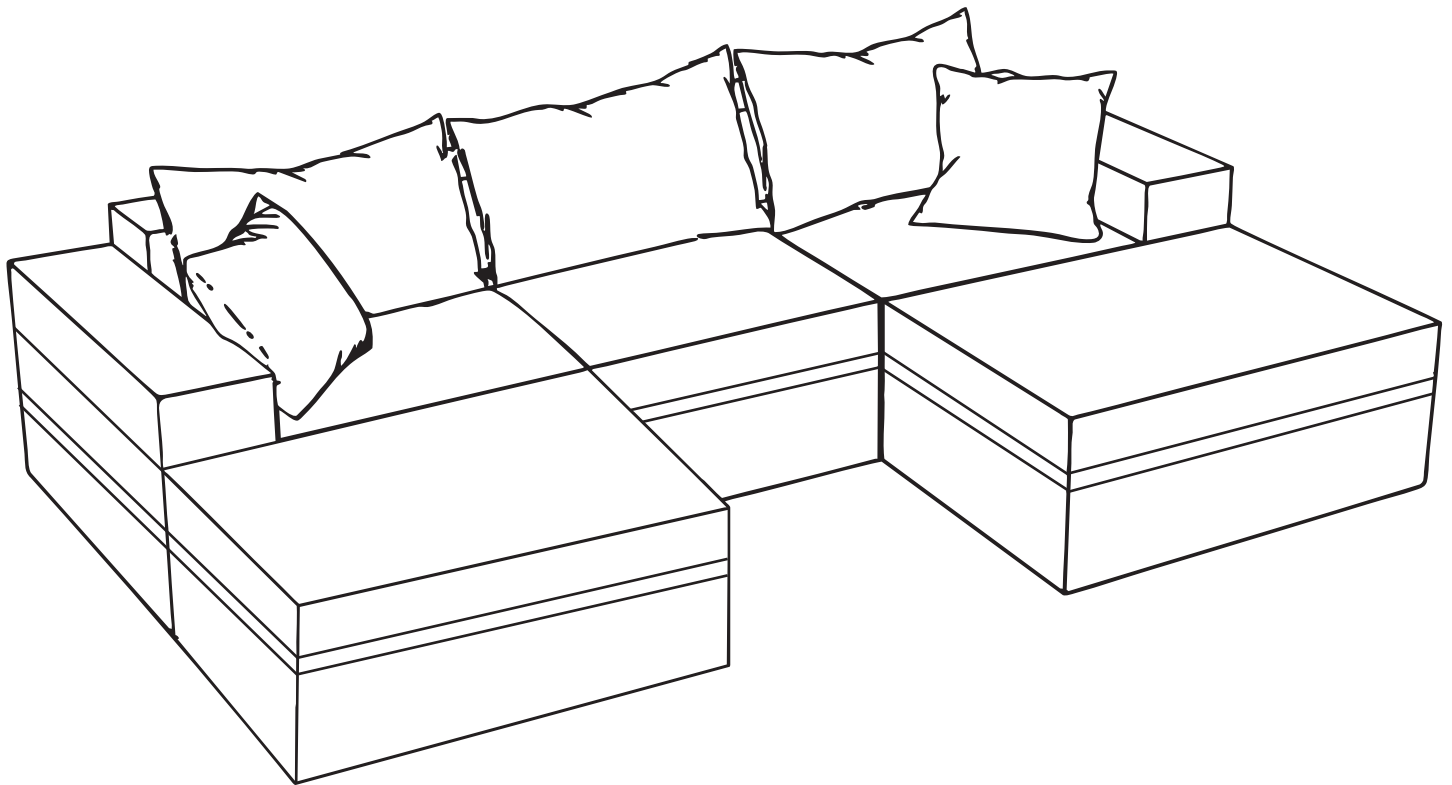


# Storage Sofa

Designed for Comfort. Engineered for Modern Living.

## USER GUIDE



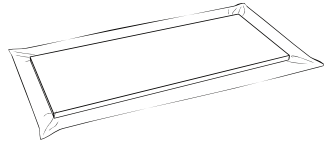
## Need a hand?

If you have any questions, missing parts, or just need some assembly advice, reach out!

# The Golden Rule of Unboxing

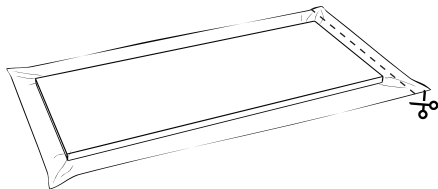
Your sofa is vacuum-packed and compressed for shipping. Allow **2–5 days** for the sofa to fully expand. The back support becomes much sturdier after expanding.

## Part 1: Top Soft Couch Layer



### Step 1 – Unpack

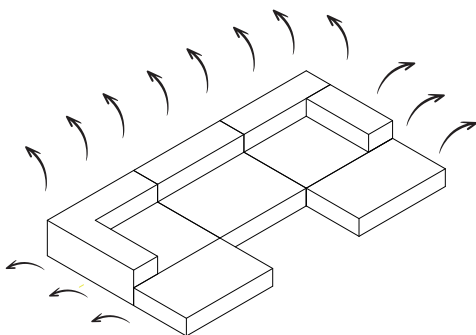
*Remove the plastic wrap and lay the cushion flat on the floor.*



### Step 2 – Open Carefully

*Cut the outer plastic with scissors.*

**!!** Take care not to cut the fabric!

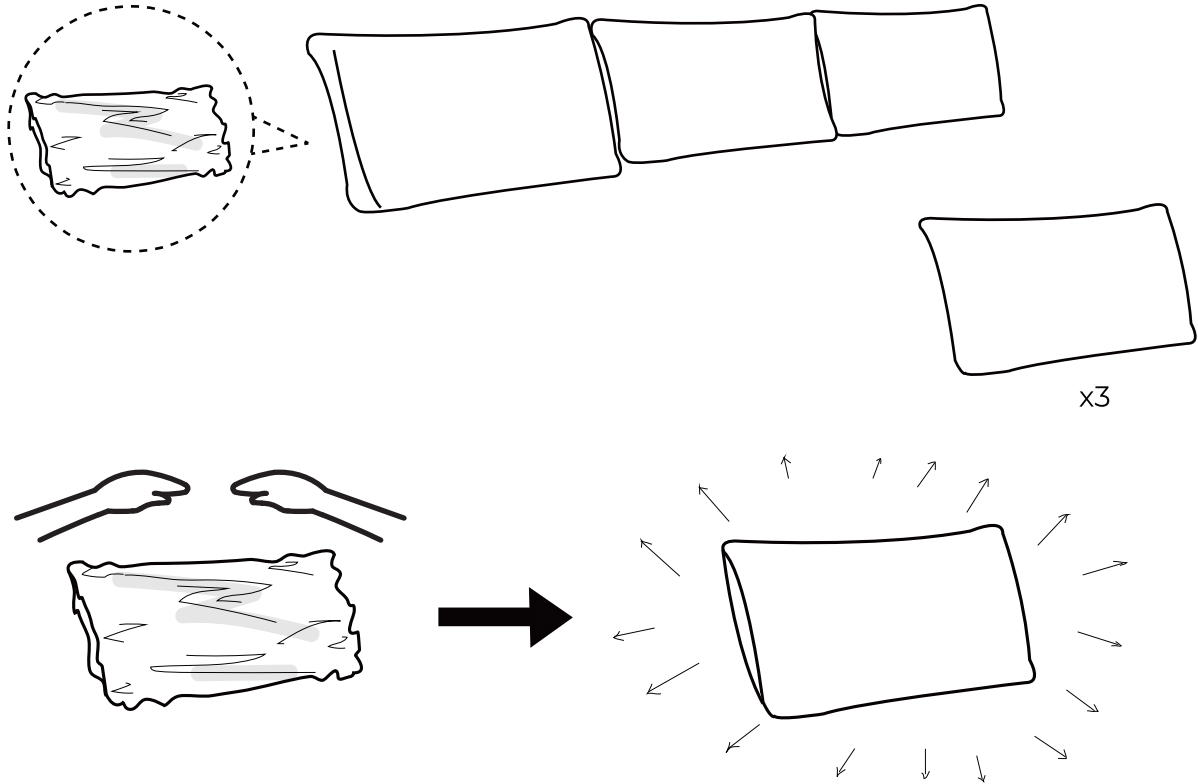


### Step 3 – Let It Expand

Allow **2-5 days** for the sofa to fully expand. Do not use immediately after unboxing.

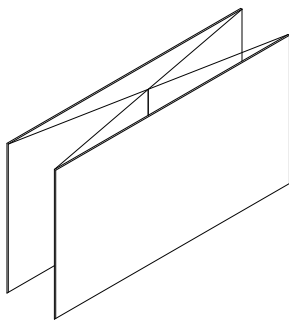
**!!** *The back support will be more sturdy after 2-5 days expanding.*

## Cushion & Pillow Care



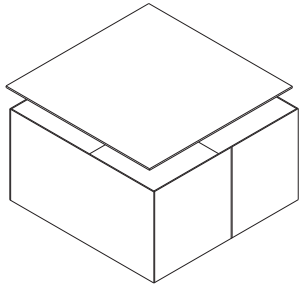
- *Your pillows are compressed during shipping. Pat to restore their shape and fluffiness, and allow time to fully expand.*

## Part 2: The Storage Base



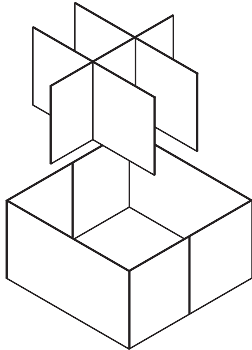
### Step 1 – Open the Outer Box

*Stretch open the outer box shell and stand it upright into a rectangular shape.*



## Step 2 – Insert the Bottom Layer

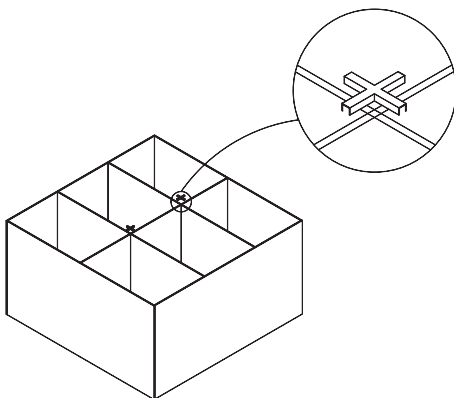
*Place the bottom panel inside the outer shell. Make sure it sits flat.*



## Step 3 – Insert the Dividers (Crucial Step!)

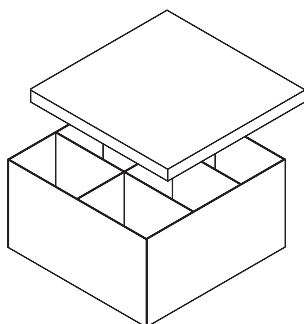
*Place the divider panels into the box as shown.*

**!!** *These must stay in place during use.*



## Step 4 – Lock It In

*Secure the **buckles** on each divider to lock them in position. These must stay in place during use.*



## Step 5 – Place the Lid

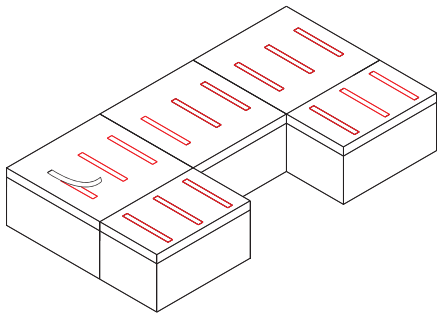
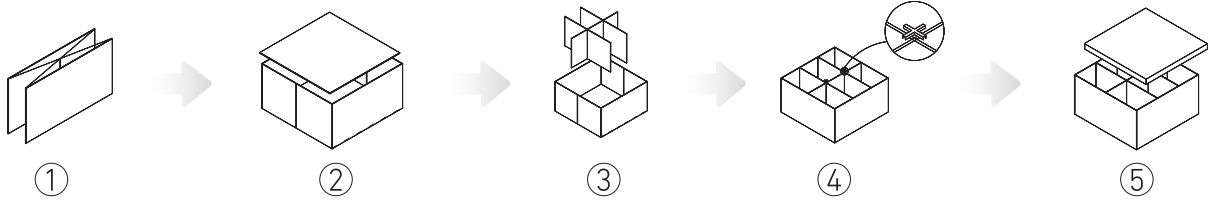
*Align the lid with all edges and press down firmly.*

**!!** *All lids must be secure before use.*

## Part 3: Bringing It All Together

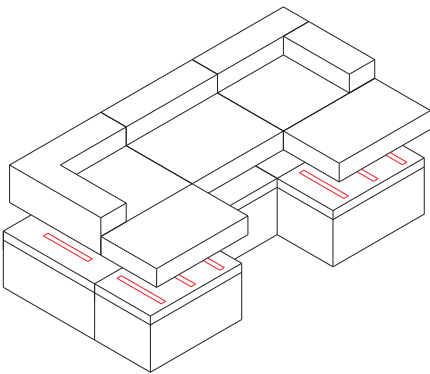
### Step 6 – Build the Ottoman

*Repeat Steps 1–5 for the rectangular ottoman box.*



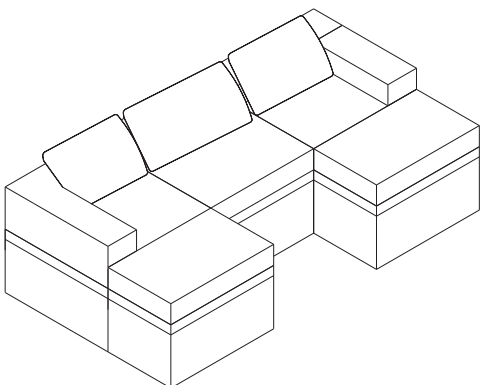
### Step 7 – Arrange Your Layout

**!!** *Peel off the protective strips to expose the Hook & Loop fasteners.*



### Step 8 – Connect the Two Layers

*Press the layers together firmly.*



### Step 9 – The Finishing Touches

*Place the cushions on top and add back pillows — you're done!*

## Quick Safety Check

Before you kick back and relax, make sure:

- !! All divider panels are inserted correctly inside each box.
- !! All buckles are securely in place.
- !! All lids are aligned and pressed down completely.
- !! The sofa has had time to expand (allow 2–5 days for complete expansion).
- !! The Hook & Loop strips are firmly holding together the two layers.

## Care & Maintenance

Proper care helps keep your sofa comfortable and looking its best!

- **Strength:** Each seat supports up to 400 lbs.
- **Keep It Indoors:** This sofa is for indoor use only.
- **Keep It Cool:** Keep away from heat, sunlight, and vents. No hot items on the surface.
- **No Jumping:** Children should not climb or jump on the sofa.
- **Everyday Cleaning:** Use a lint-free cloth or lint roller to remove dust and hair.
- **Spills & Stains:** Damp cloth with mild soap. Blot gently—don't rub. Air dry before use.

## Need Help?

We're happy to help with any questions about your new storage sofa.