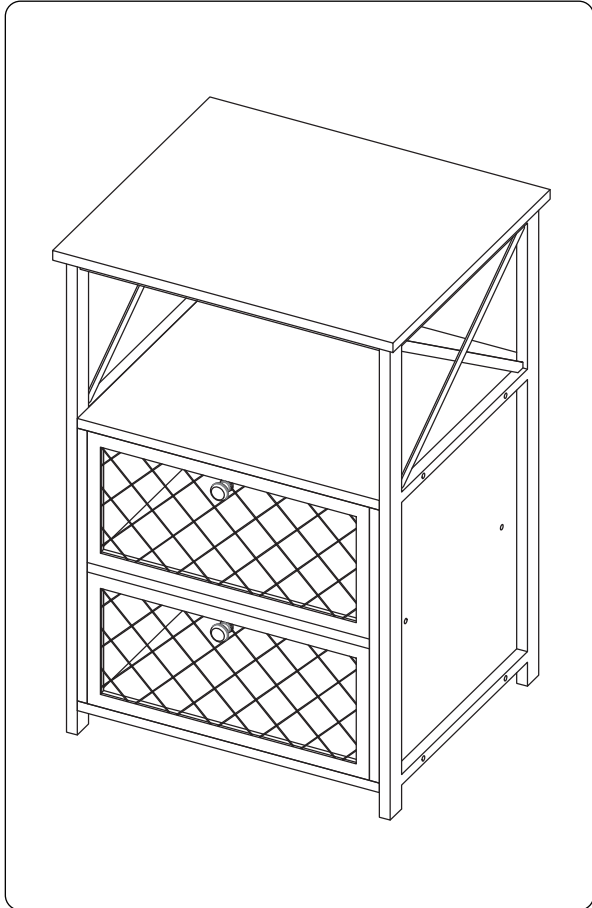


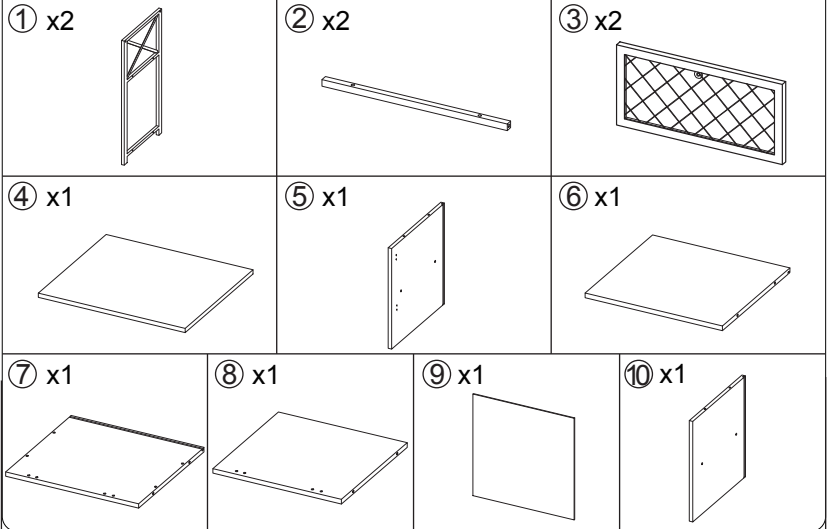
# Assembly Instructions

## Tips!

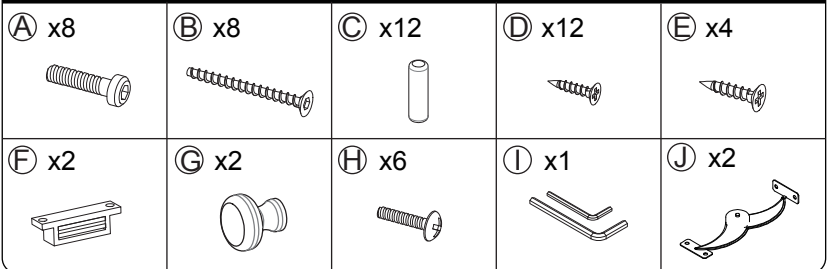
Check all the components & screws before assembly.



### Componets






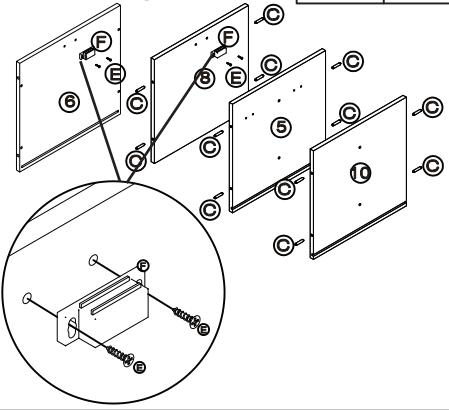
### Screws & tools



**1**

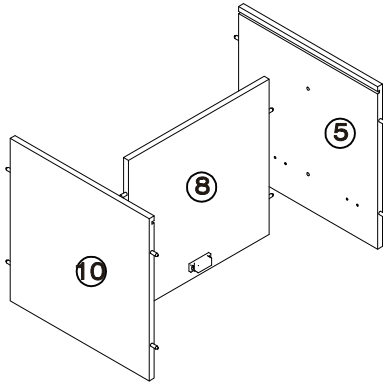
Assembly ⑧、⑤ & ⑩  
Assembly ①

	Cx12
	Ex4
	Fx2



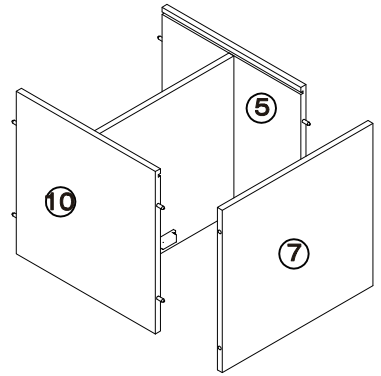
**2**

Connect ⑧、⑤ & ⑩



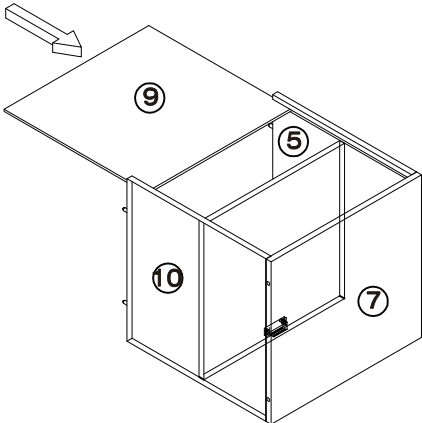
**3**

Connect ⑤、⑩ & ⑦



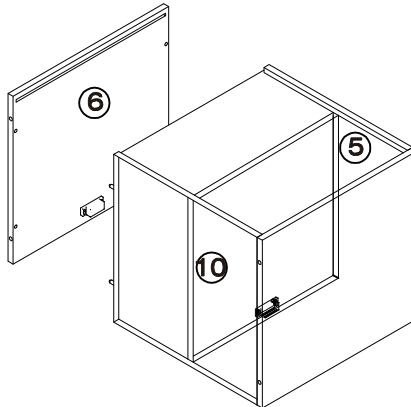
**4**

Assembly ⑨ & ⑦



**5**

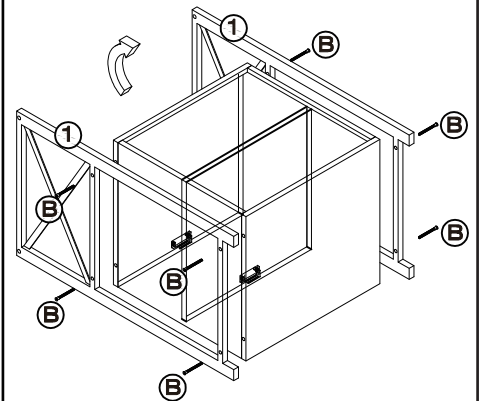
Connect ⑥、⑤ & ⑩



**6**

Connect ①、⑥ & ⑦

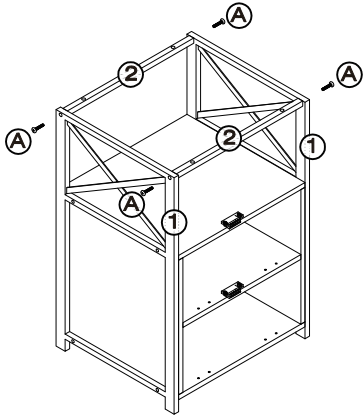
	Bx8
---	-----



**7**

Connect ② & ①

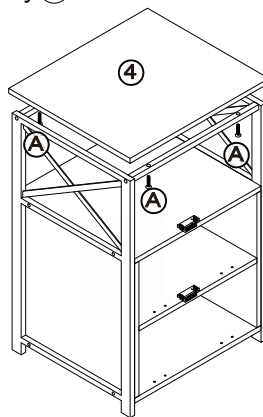
	Ax4
---	-----



**8**



Assembly ④

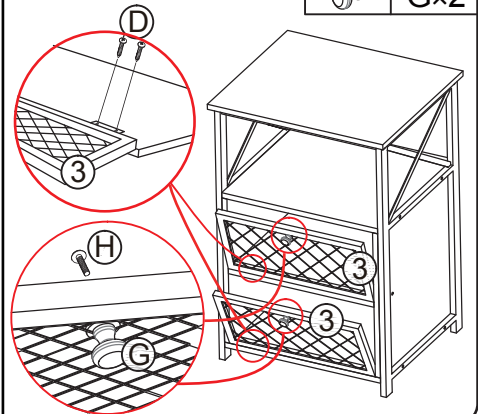
	Ax4
---	-----



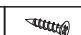


**9**

Assembly ③ & ③

	Dx8
	Hx2
	Gx2



**10** Assembly ③ & ①

	Dx4
	Jx2
	Hx4

