

## Warranty

Our office chair come with a 1- year warranty from the date of purchase.  
In any circumstance that the product arrives damaged or missing parts.  
We are more than happy to provide you with replacement part.

## Warm Tips

Please read the instructions carefully before assembly and  
make sure you have the parts & hardware as identified on the list.

It is highly recommended to assemble the chair on a  
soft clean surface to avoid scratches.

## Mesh Office Chair



## Parts List

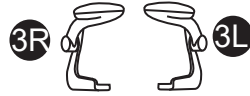
1 Backrest



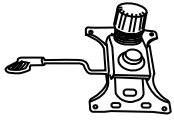
2 Seat Cushion



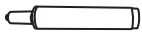
3 Armrest



4 Mechanism



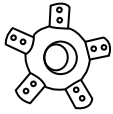
5 Gaslift



6 Castors



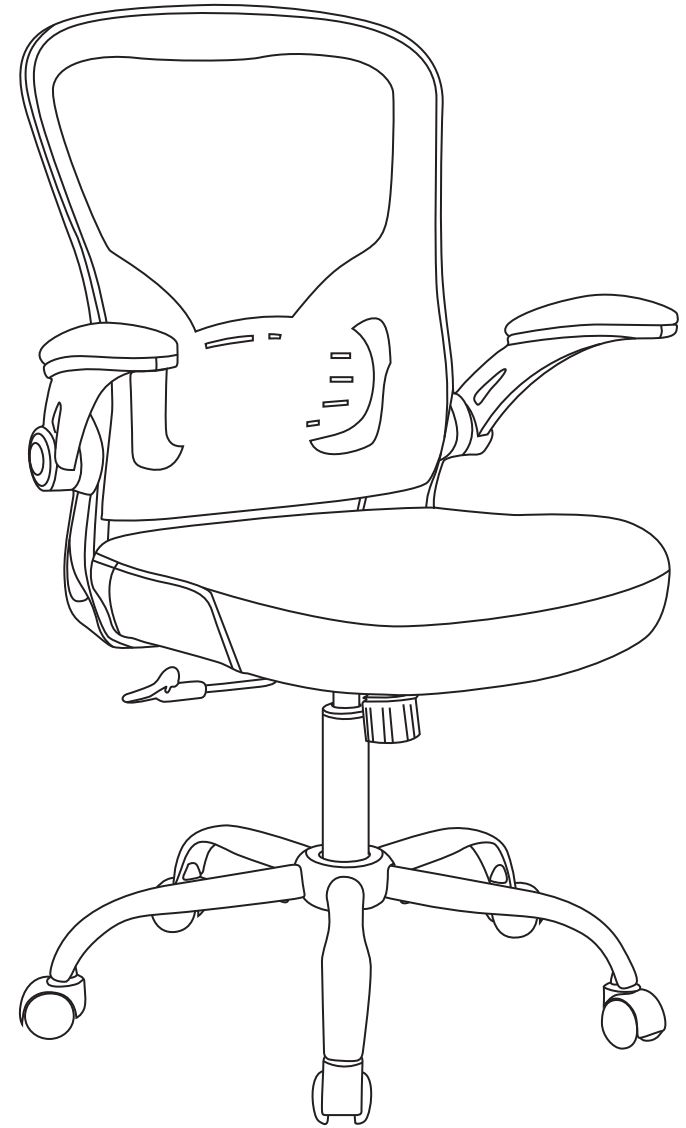
7 Base








8 Base Legs



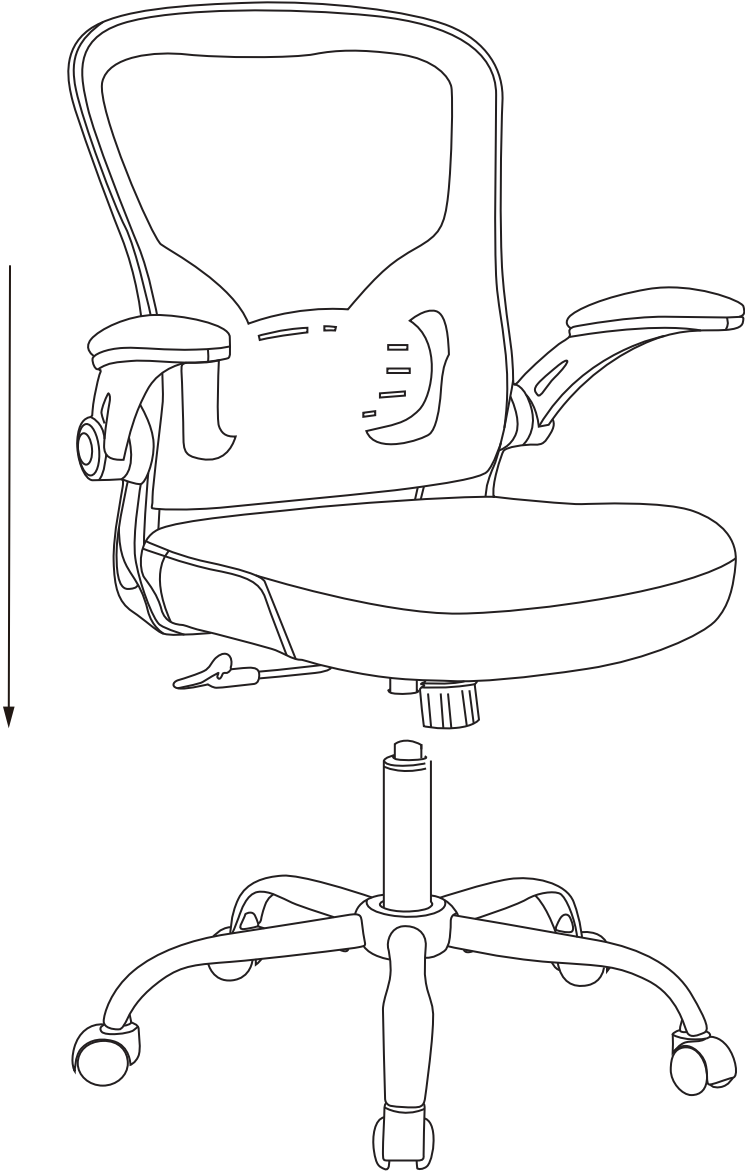
Step 9:



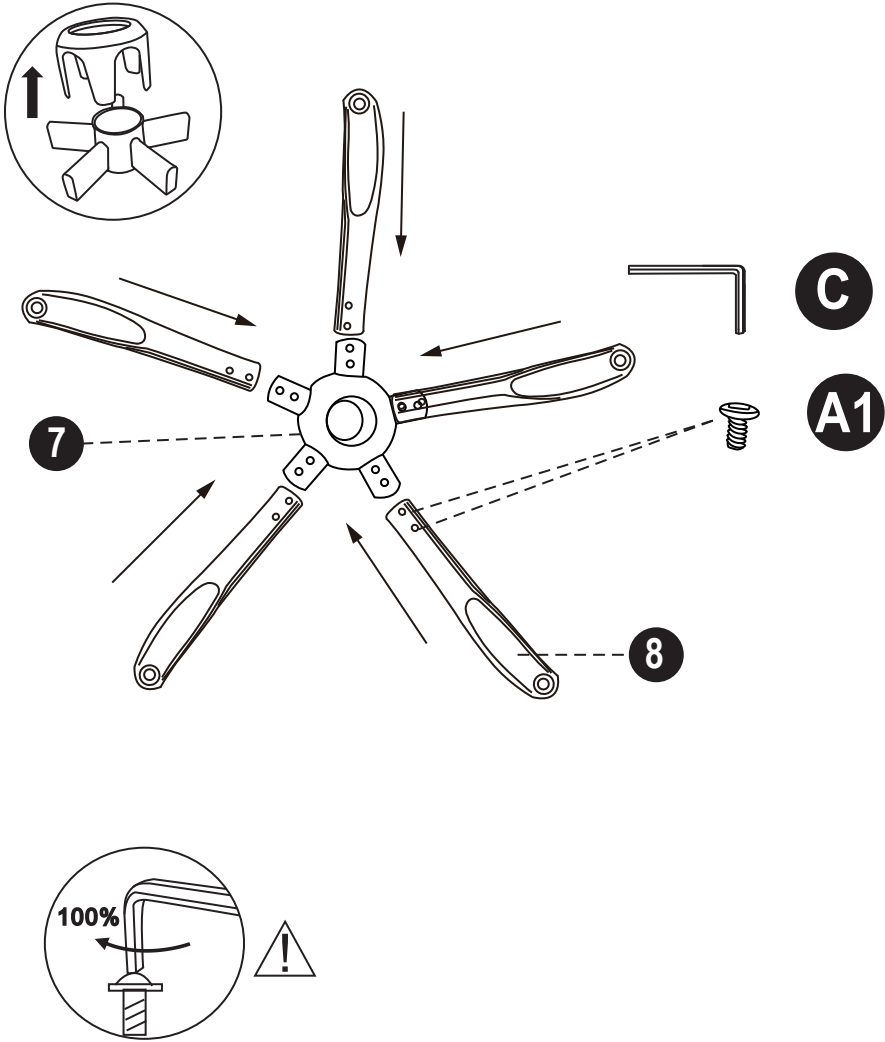
## Hardware Kit

A1	Small Bolts(12mm)		10
A2	Big Bolts(30mm)		8
A3	Big Bolts(20mm)		4
B	Plastic Caps		4
C	Allen Key		1

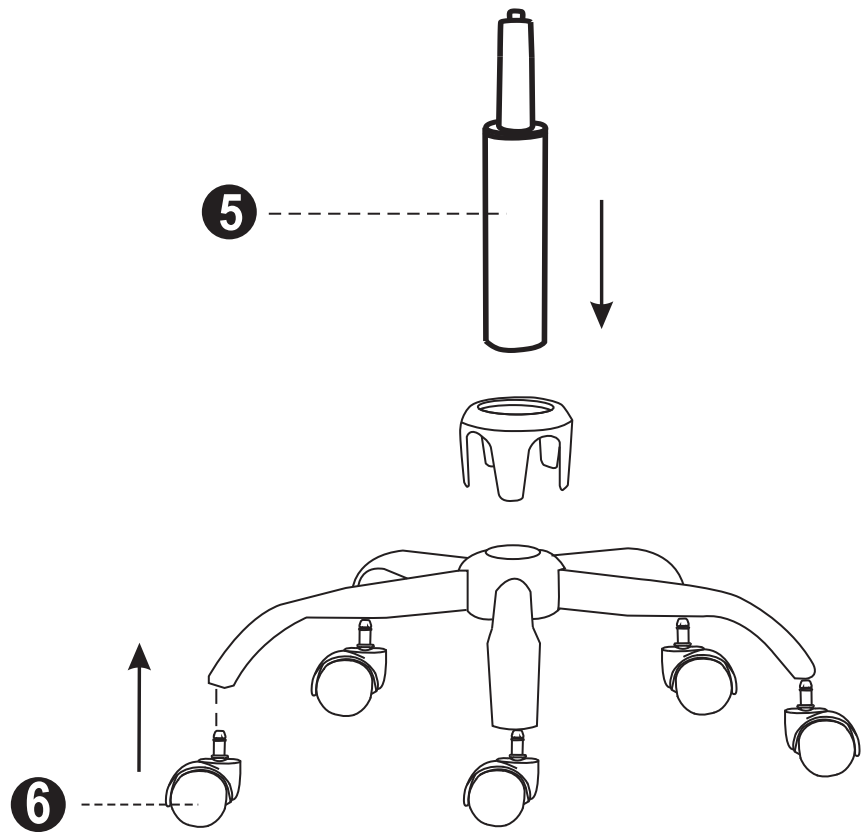
Step 8:



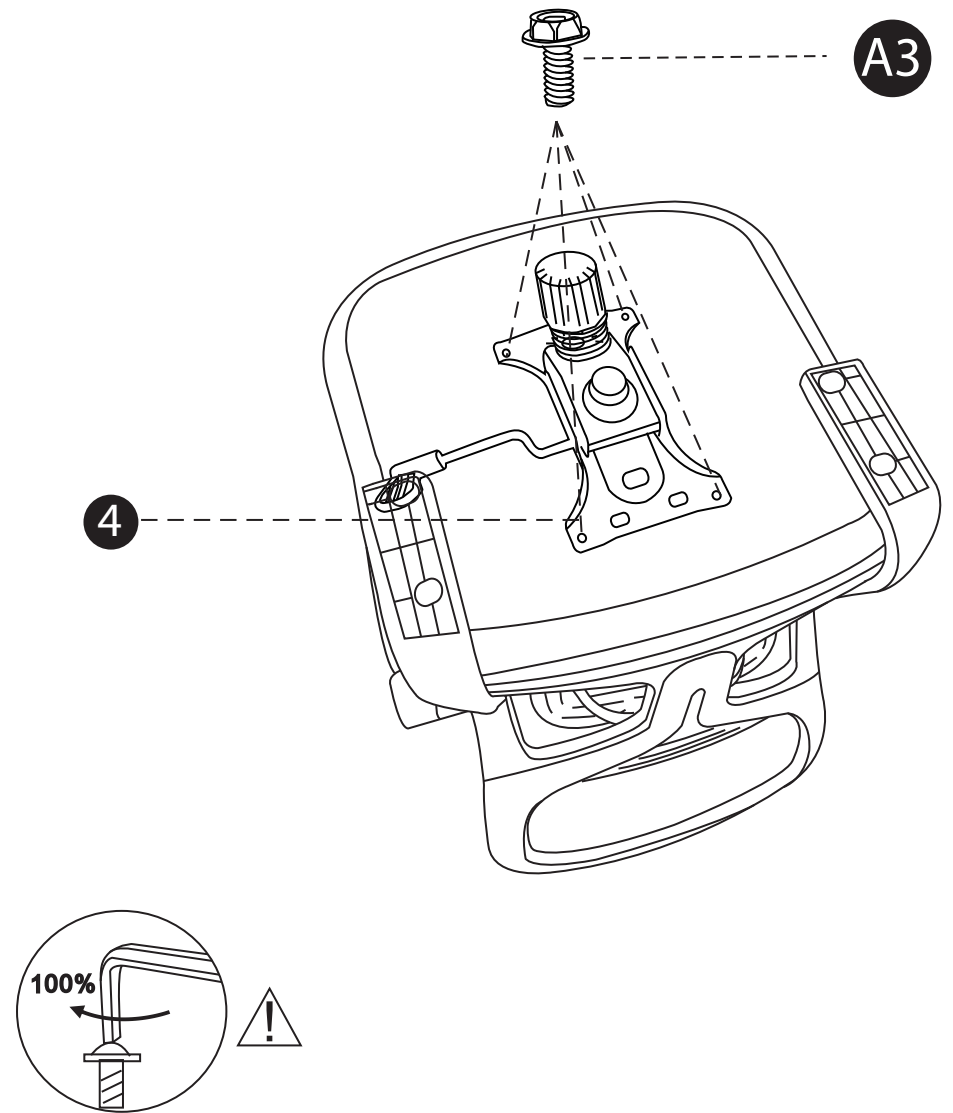
Step 1:



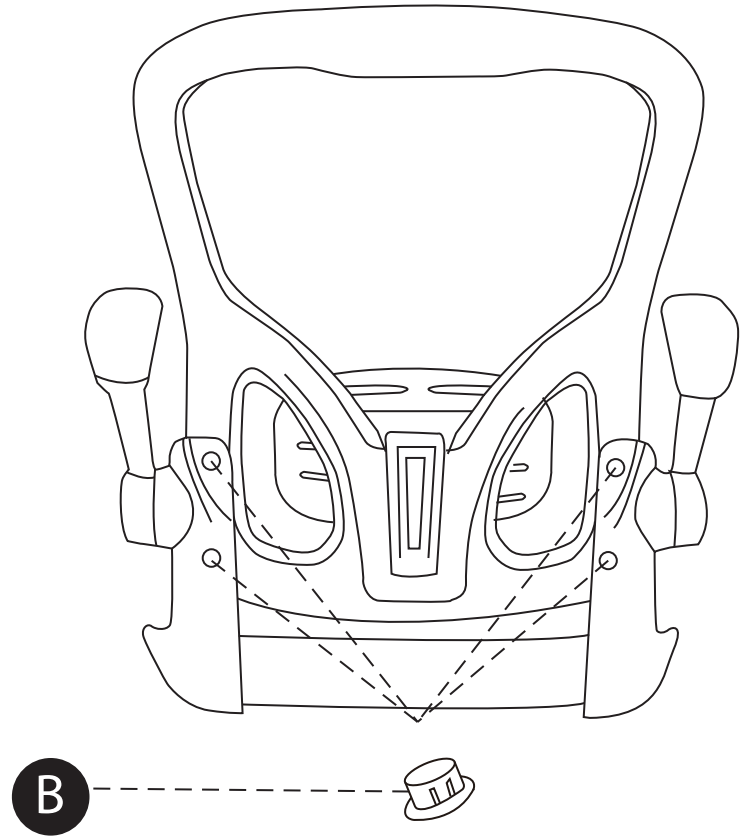
Step 2:



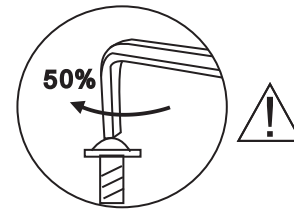
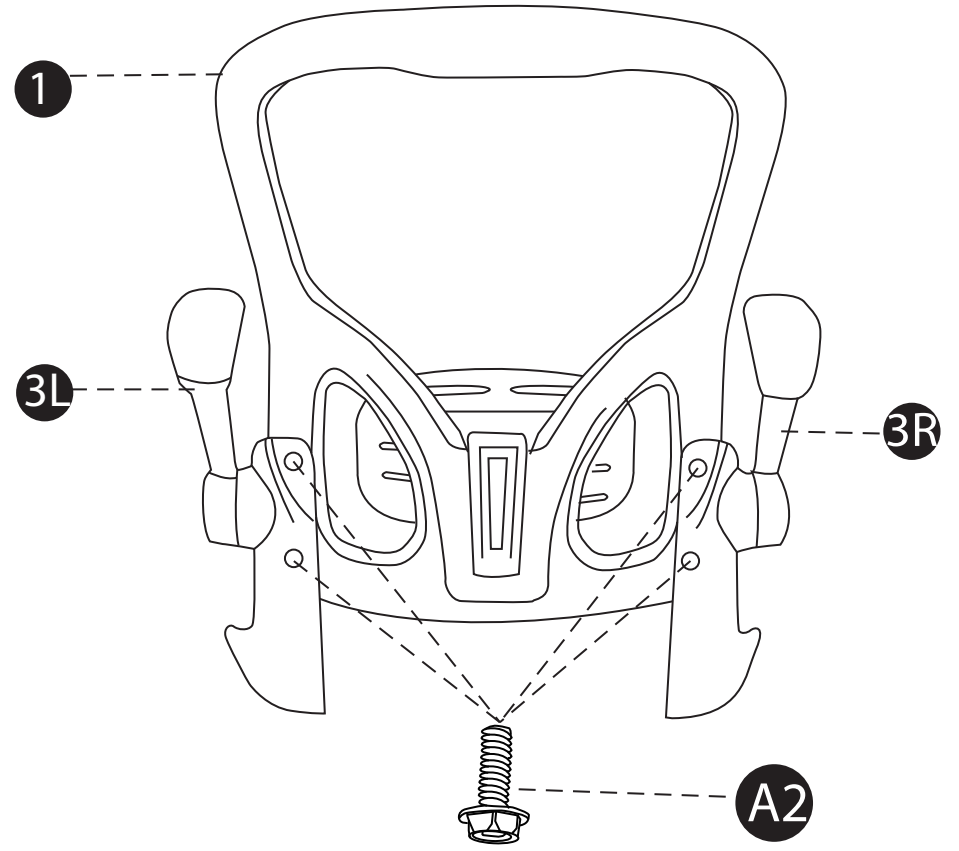
Step 7:



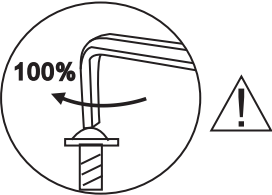
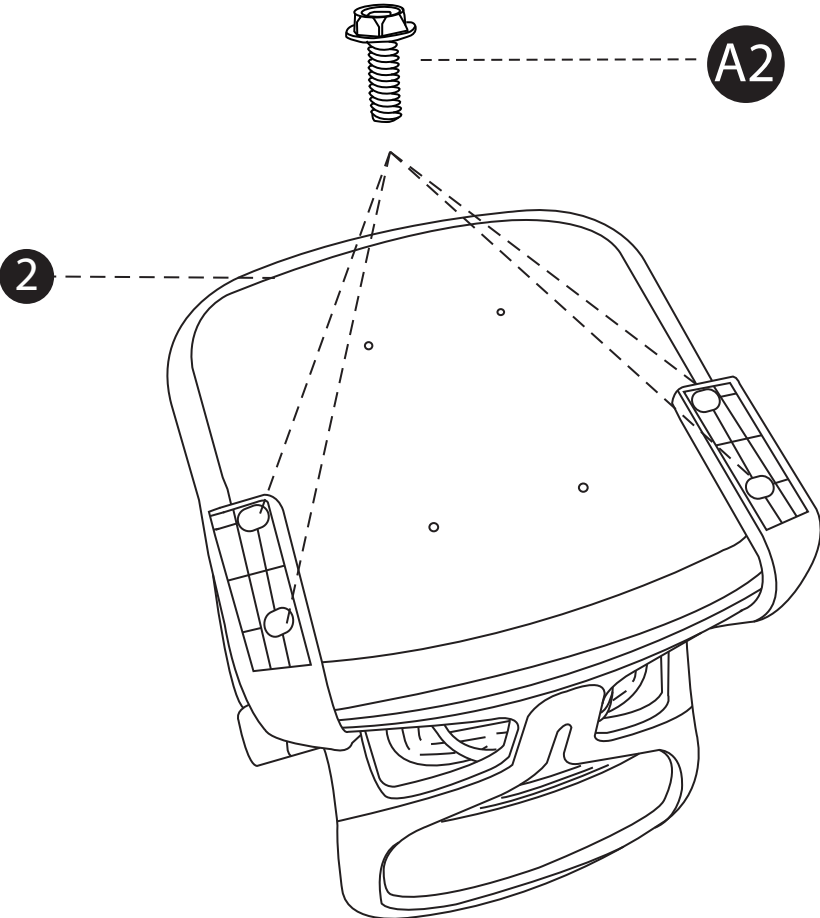
Step 6:



Step 3:



Step 4:



Step 5: Then Tighten All the Screw by 100%.

