



Ceiling Fan
Installation Instruction



SAFETY INFORMATION

Please read all safety information and instructions before installing the ceiling fan and save this manual for future reference.

SAFETY INFORMATION	01
PRE-INSTALLATION	02
PARTS LIST	03
INSTALLATION INSTRUCTION	04
HOW TO USE THE MOBILE APP	10
TROUBLE SHOOTING	11



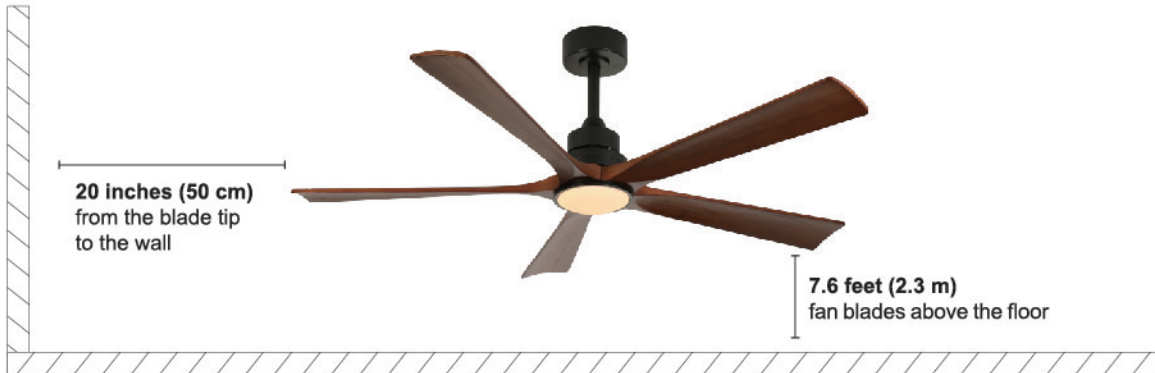
SAFETY INFORMATION



WARNING

- Before connecting the power supply, make sure that the power supply used matches the specifications of the ceiling fan.
- All wiring must comply with national and local electrical codes ANSI/NFPA70. If you are not familiar with wiring, please use a qualified electrician.
- To reduce the risk of fire or electric shock, turn off the power to the fuse box or circuit breaker before installing the fan.
- To reduce the risk of personal injury, attach the fan directly to the building's support structure and ensure that it can accept at least 35 pounds (15.9 kg).
- Make sure that the installation location allows the fan blades to rotate without obstacles.

Installation Location



WARNING

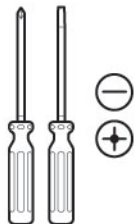
- Do not operate this fan with a variable (Rheostat) wall controller or dimmer switch.
- Doing so could result in damage to the ceiling fan's remote control unit.

PRE-INSTALLATION

Tools Required (Not Included)



Power Drill



Screwdriver



Step Ladder



Wire Stripper



Electrical Tape



PARTS LIST



Mounting Bracket X 1



Canopy X 1



LED & Light Kit Pan X 1



Motor X 1



Coupling Cover X 1



Canopy Cover X 1



Light Cover X 1



Downrod x 2



Fan Blade X5



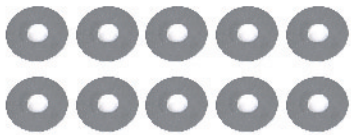
Remote Control X 1



Remote Control Bracket X 1



Receiver X 1



Blades protective gasket X 10



Blade screw X 10



Remote control
bracket screw X 2



Self-tapping Screw X 4



Wiring cap X 3



Expansion Bolt X 2

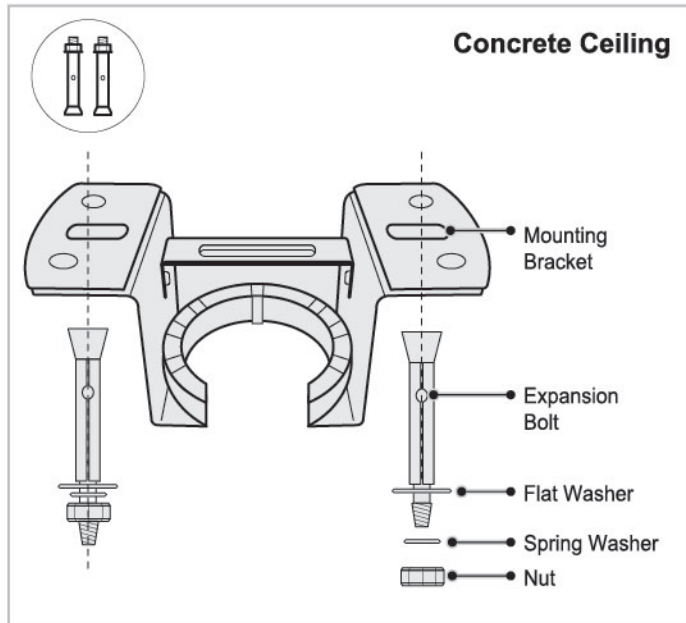


Balance sticker X 2

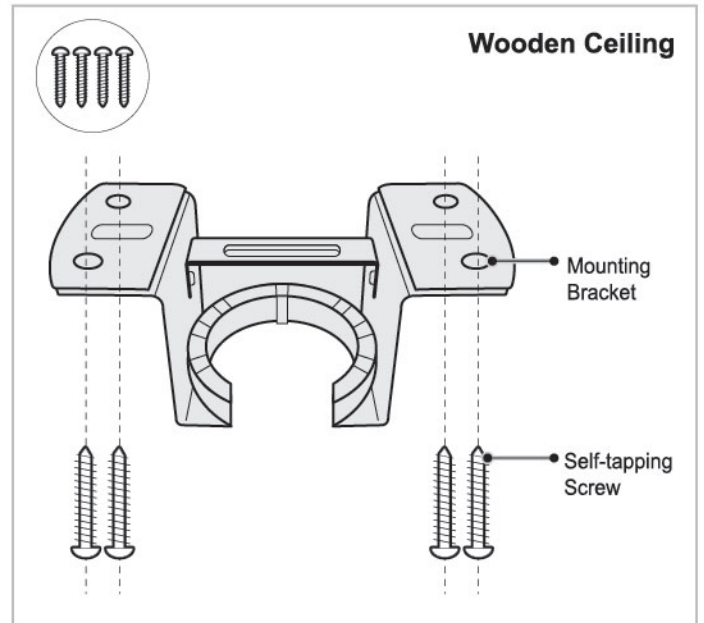


INSTALLATION INSTRUCTION

Step 1: Mounting Bracket Installation



1. Drill holes with electric drill ($\varnothing 8$ mm).
2. Use expansion screws to fix the mounting bracket to the ceiling.



Fasten the mounting bracket to the ceiling with self-tapping screws.

Step 2: Fan Blade Installation



- 1 Put the fan blade under the triangular cover and fix the fan blade to the motor with screws and gaskets.

Note:

- The fan blade needs to be aligned with the "center" position of the screw hole group.
- Do not lock the screws when installing the blades and then tighten all the screws after all the fan blades are installed.



- 2 Loosen the screws of the upper triangular cover of the motor with drill.



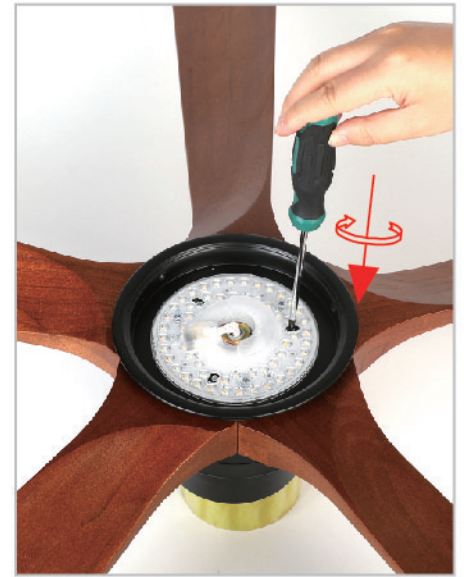
Step 3: Installation of LED Board



- 3 Thread the motor line through the LED board, then align the LED board with the triangular cover on the motor and put it on.



- 4 Connect the motor line and the lamp panel line.

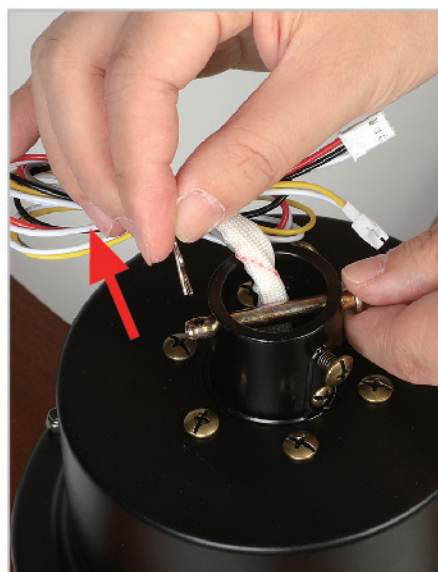


- 5 Install the screws on the triangular cover into the corresponding holes.

Step 4: Downrod Installation



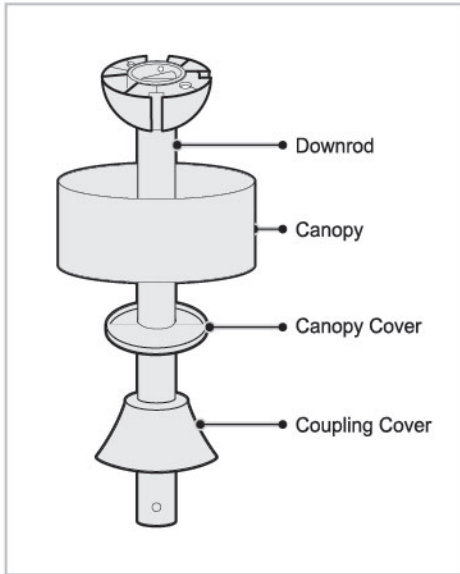
- 1 Select a suitable downrod. (2 lengths are available 7.8"/13.8") other size downrod please contact customer service.



- 2 Take out clevis pin on the motor.



- 3 Loosen the screws on the motor, and do not take them out completely.



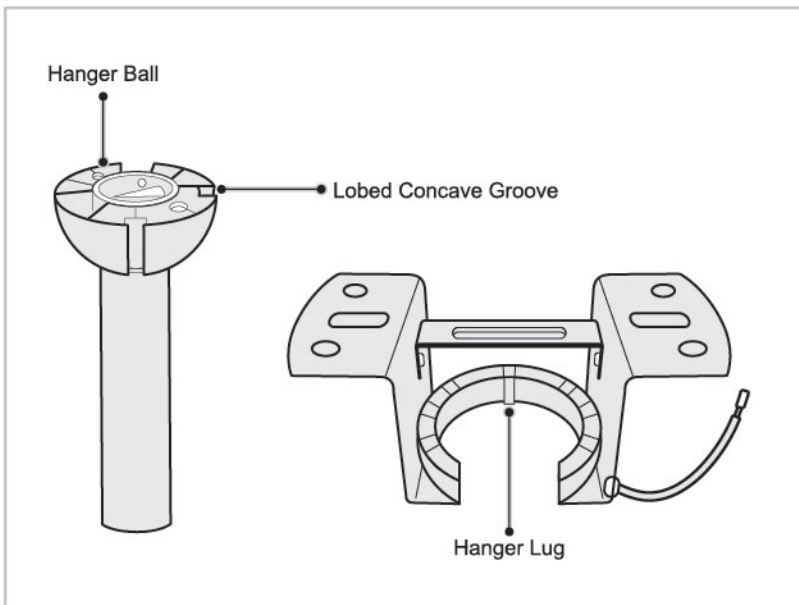
4 Assemble the canopy, canopy cover and coupling cover to the downrod in turn.



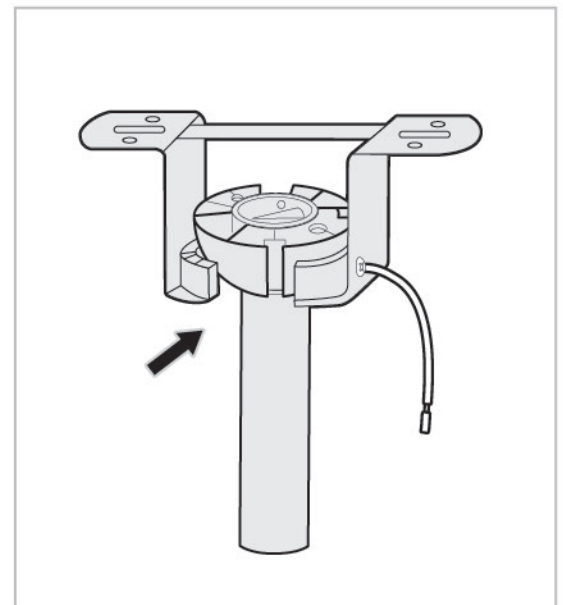
5 Thread the motor wire through the lower pull rod, lock the fixing screw with the clevis pin, and tighten the motor screw.



Step 5: Installation of the Assembled Fan



1 Lift the assembled fan onto the mounting bracket.

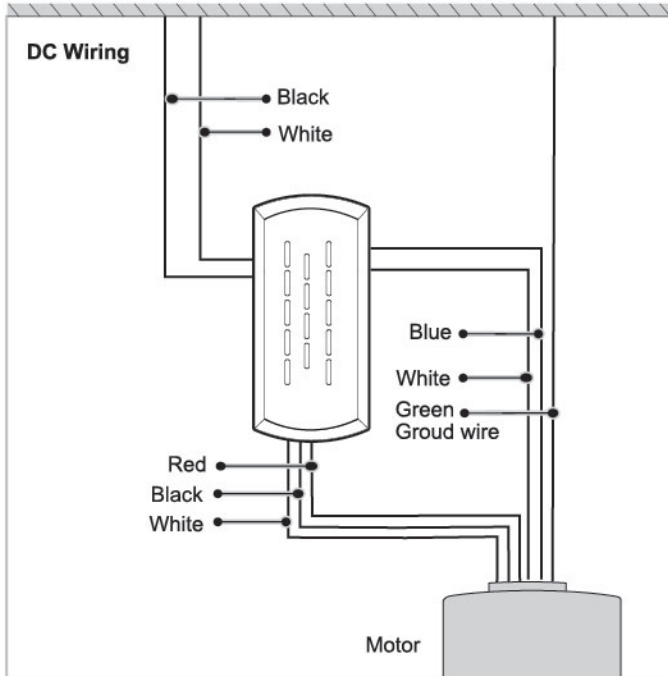


2 Ensure the concave groove of the hanger ball is positioned on the hanger lug of the mounting bracket.



Step 6: Wiring Instruction

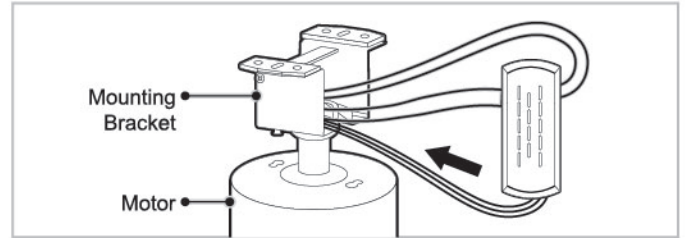
⚠️ Shut off the power to the fuse box or circuit breaker before wiring.



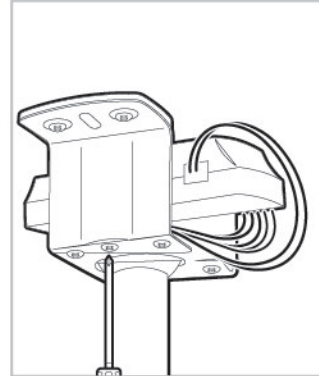
1 The receiver is connected to the motor power cord and the ceiling power cord respectively.

Note:

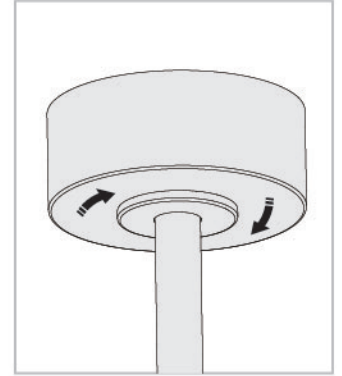
Connect wires color to color, plug to plug.



2 Put the receiver into the mounting bracket.



3 Cover the receiver and power cord and tighten the screws.



4 Decorative cover on, rotate, tighten .

Step 7: Install the Lampshade



1 Put the light cover to the LED board.



2 Spin forward to tighten the light cover.



Step 8: Change Downrod(OPT)

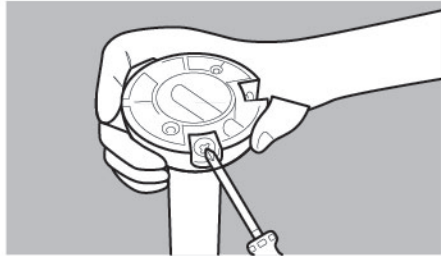
How to choose different lengths of downrod

1. The ceiling of the house is 100 inches from the ground, suitable for installing a 7.8inch downrod.
2. The ceiling distance of the house is 110 inches, which is suitable for installing a 13.8 inch downrod.
3. The ceiling of the house is 120 inches from the ground, which is suitable for installing a 14-inch downrod.
4. If the space requires a longer boom, you will need to use a longer extension wire, the wire thickness should be selected close to the motor wire thickness, too thick or too thin (changing the resistance required by the receiver), the motor may not work.

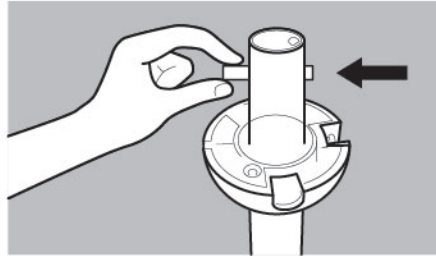
NOTICE

If the house suitable for installing a 1.5m(590 inches), it should a new controller, Please contact us for customization

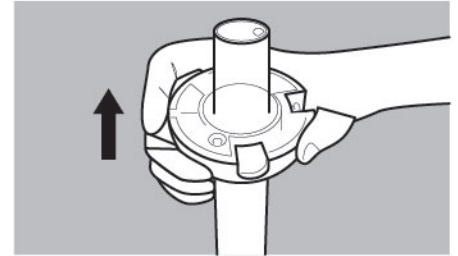
If you need to change different length downrod, please follow these steps:



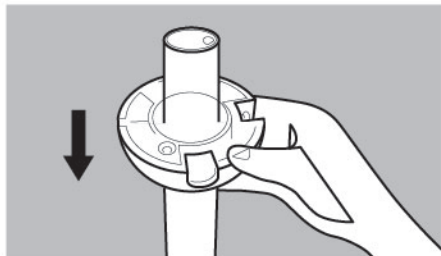
1 Loosen the screws on the hanging ball.



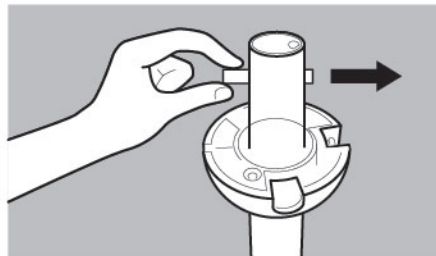
2 Remove the metal bar.



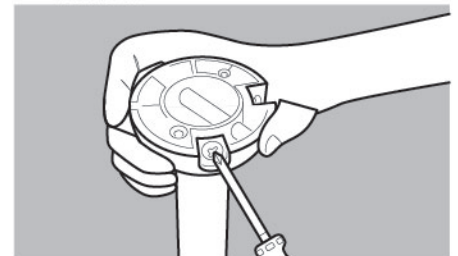
3 Take off the hanging ball from the original downrod.



4 Install the hanging ball to an appropriate downrod.



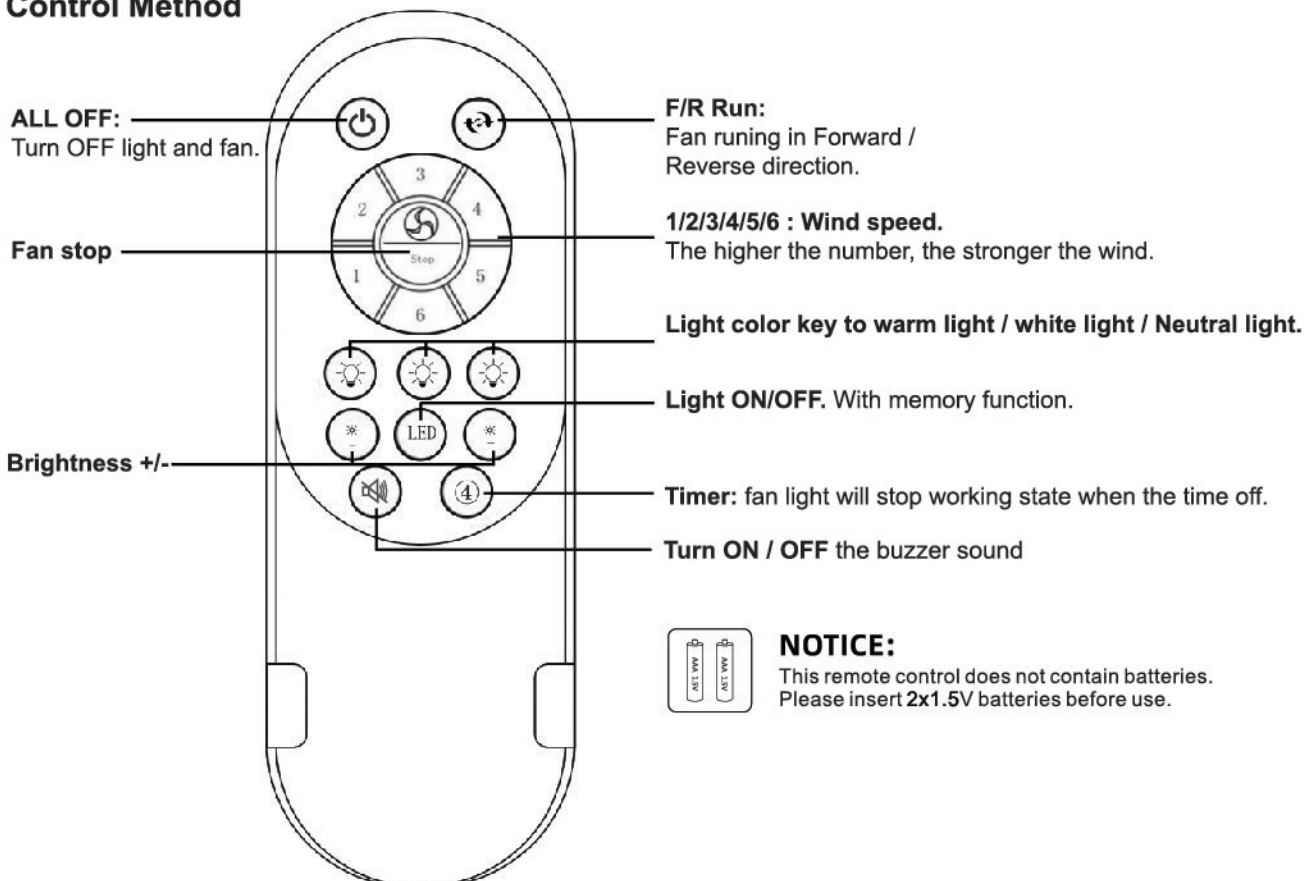
5 Insert the metal bar .



6 Tighten the screws.

OPERATION INSTRUCTION

Control Method





Reversible Function



Summer (Forward):
A downward airflow
creates a cooling
effect.



Winter (Reverse):
An upward airflow
increases the indoor
temperature.

PS: If you want to change the fan's rotation direction, please press the button while the fan is running.

Timing Control

4H: The fan will automatically shut off after 4 hours.

Close the Timing Control: Press the button "FAN ON/OFF"

Memory function of LED light color temperature.

Our LED Light comes with a color temperature memory function. If the light is turned off for less than 7 seconds and then turned on again, it will switch to the next color temperature. If the light is turned off for more than 7 seconds and then turned on again, it will remember the color temperature from before it was turned off.

Note: The LED light may not correspond with the image. Please refer to the actual product.



If remote control no function, please match code as below:

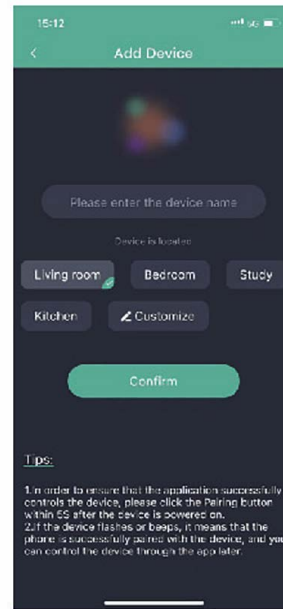
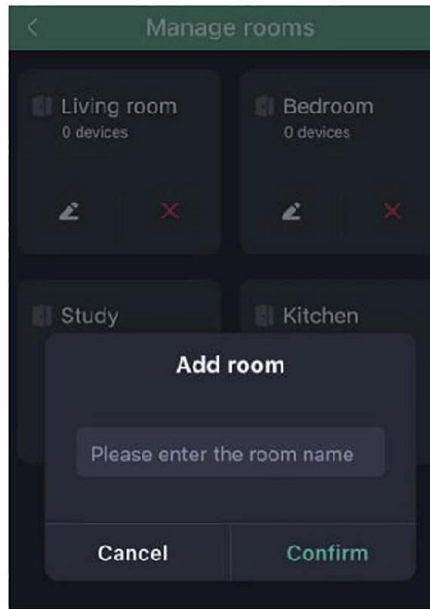
After the lamp is powered on, long press  within 5 seconds. If the lamp flash, it indicates successful code matching. If not, please try this step again.



How TO Use the Mobile APP

1. Download the APP (Andriod could download from GOOGLE PLAY STORE)

2. Add a new fan to the area as you want. Set the name of the light and choose the area.



3-1. Keep phone bluetooth ON.

3-2. Turn OFF the wall switch, turn ON the wall switch, within 5 seconds, click the icon on the APP page.
if light flash means APP code matched. If not, please try again step 1 and 2.



Turn OFF



Turn ON





TROUBLESHOOTING

Warning: For your own safety turn off power at fuse box or circuit breaker before trouble shooting your fan.

TROUBLE	Probable Cause	Suggested Remedy
FAN AND LIGHT DO NOT WORK BUT WIRES CONNECTED WELL	The AC power from wall controller or dimmer switch.	Do not operate this fan with a variable (Rheostat)wall controller or dimmer switch. Choose the switch as this introduction showed.
FAN WILL NOT START	<ol style="list-style-type: none"> 1.Fuse or circuit breaker blown. 2.Loose power line connections to the fan, or loose switch wire connections in the switch housing. 3.Reversing switch in neutral position. 4. Dead battery in remote control. 	<ol style="list-style-type: none"> 1.Check main and branch circuit fuses or circuit breakers. 2.Check line wire connections to fan and switch wire connections in the switch housings. CAUTION: Make sure main power is turned off ! 3.Make sure reversing switch position is all the way to one side. 4.Replace with new battery.
FAN SOUNDS NOISY	<ol style="list-style-type: none"> 1.Loose screws in motor housing. 2.Wire connectors inside housing rattling. 3.Motor noise caused by solid state variable speed control. 	<ol style="list-style-type: none"> 1.Check to make sure all screws in motor housing are snug (do not overtighten). 2. Check to make sure wire connectors in switch housing are not rattling agai nst each other or against the interior wall of the switch housing. CAUTION: Make sure main power is turned off ! 3.Some fan motors are sensitive to signals from solid-state variable speed controls. Solid-state controls are not recommended, choose an alternative controlmethod.
FAN WOBBLES EXCESSIVELY	<ol style="list-style-type: none"> 1.Setscrew in downrod support is loose. 2.Setscrew in downrod/hanger ball assembly is loose. 3.The groove hanger ball not lined up with the tab. 4.Hanger bracket and/or ceiling outlet box is not securely fastened. 	<ol style="list-style-type: none"> 1.Tighten both setscrews securely in downrod support. 2.Tighten the setscrew in the downrod/hanger ball assembly. 3.Re-hanging the hanger ball secure the tab into the groove. 4.Tighten the hanger bracket screws to the outlet box, and secure outlet box.