

# ASSEMBLY INSTRUCTION

## LEFT/RIGHT REVERSIBLE SLEEPER CORNER SOFA

### ASSEMBLY TIPS:

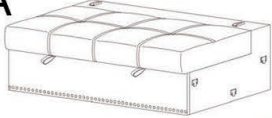
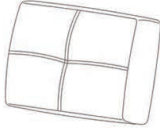
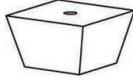






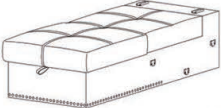
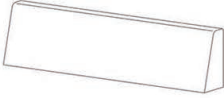

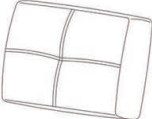


1. Take out hardware from box and sort by size.
2. Please check to see that all hardware and parts are present prior to start of assembly.
3. Please follow attached instruction in the same sequence as numbered to assure fast & easy assembly.



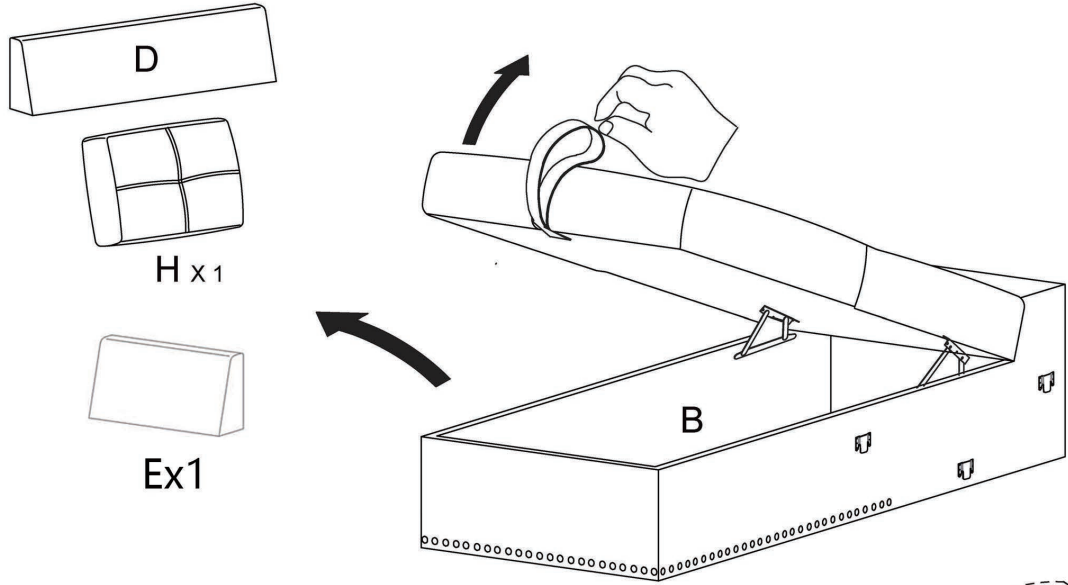
### warning!

1. Don't attempt to repair or modify parts that are broken or defective. Please contact the store immediately.
2. This product is for home use only and not intended for commercial establishment.

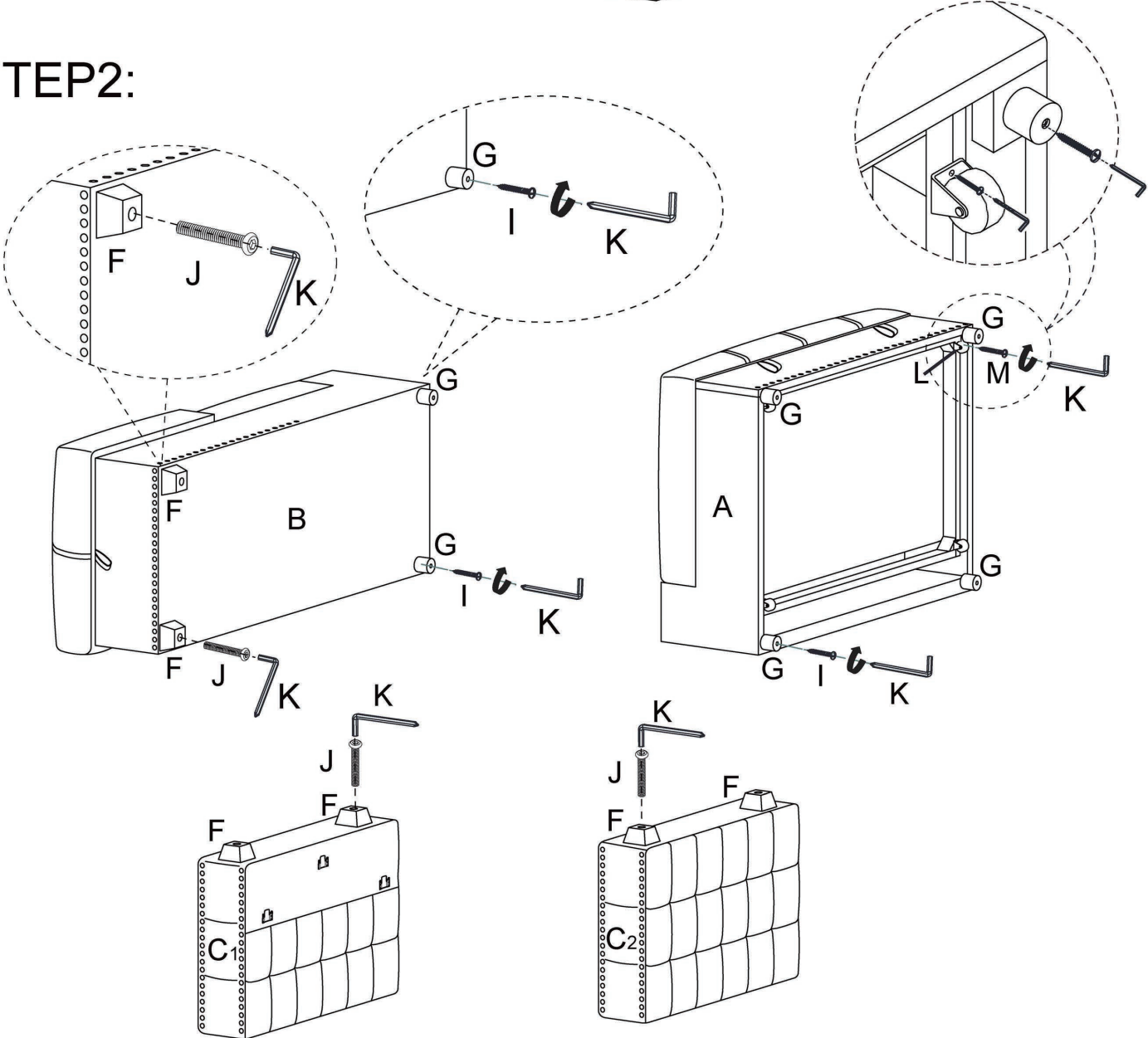
Sofa is packed in 3 cases

Carton	PARTS IDENTIFICATION		
SOFA	A  1pc SOFA FRAME	H  2pcs BACK CUSHION	F  6pcs LEGS
	G  6pcs LEGS	I  6pcs SCREWS	J  6pcs BOLTS
	K  1pc ALLEN KEY	L  2pcs CASTER	M  4pcs SCREW 20mm (FOR PULL OUT BED)
CHAISE	B  1pc CHAISE FRAME	D  1pc BACKREST (FOR SOFA)	E  1pc BACKREST (FOR CHAISE)
	H  1pc BACK CUSHION		
ARM	C   2pcs ARMREST		

# STEP1:

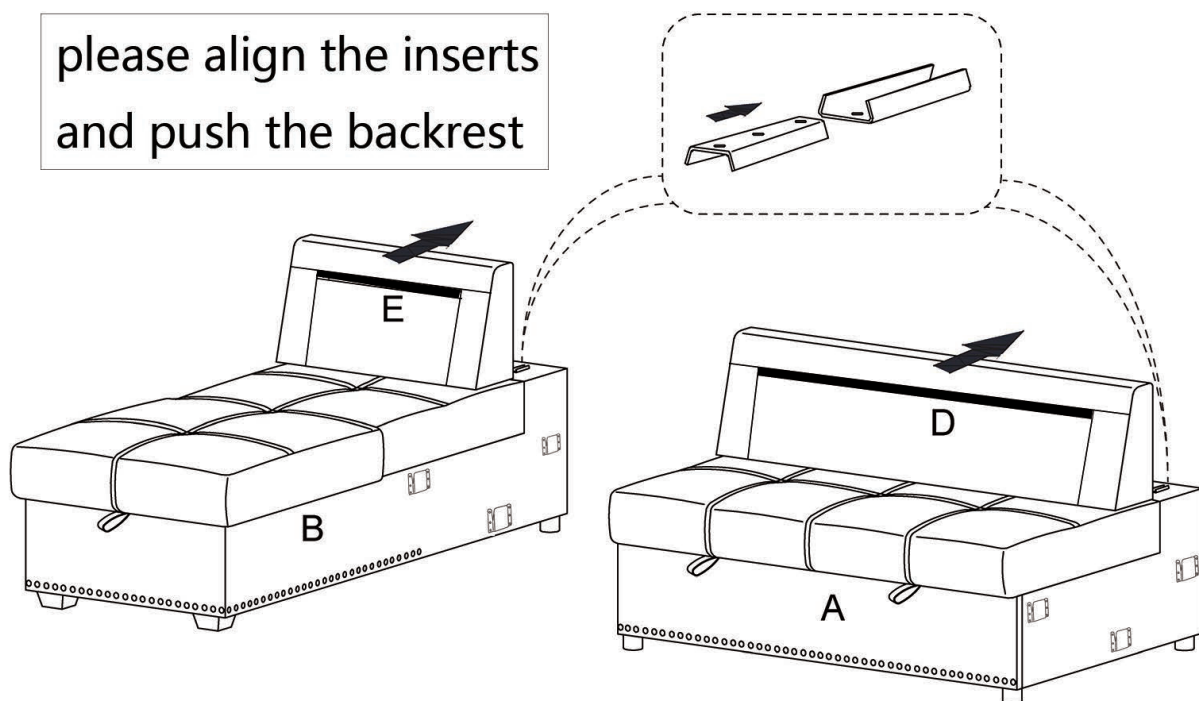


# STEP2:

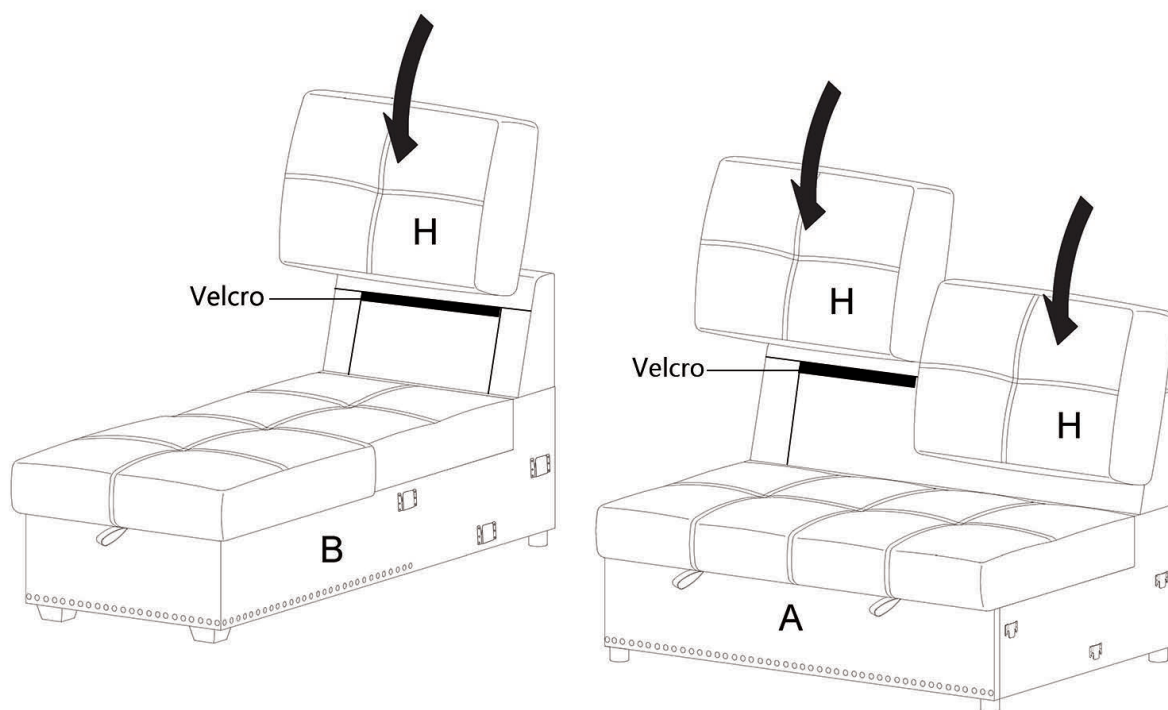


## STEP3:

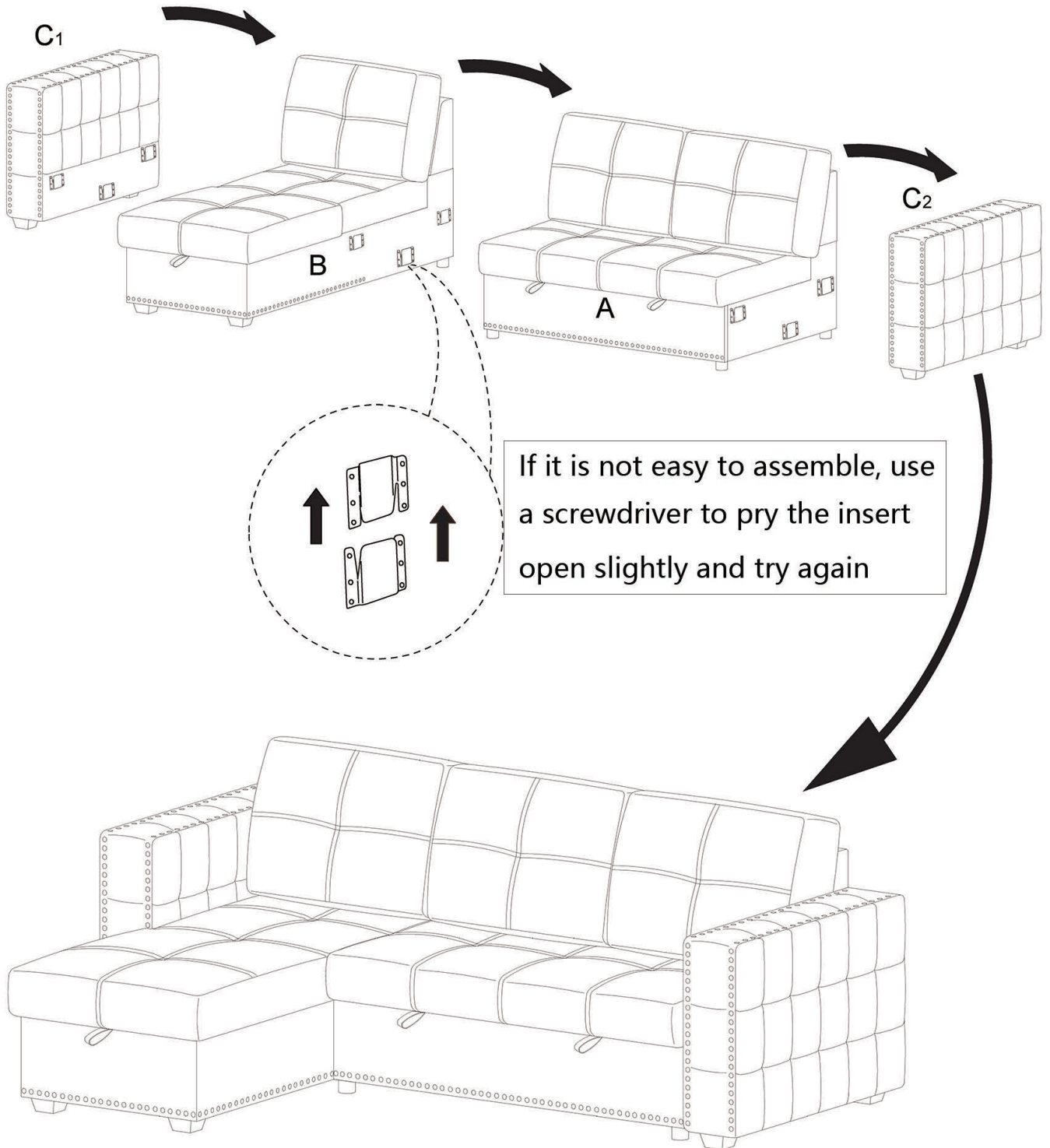
please align the inserts  
and push the backrest



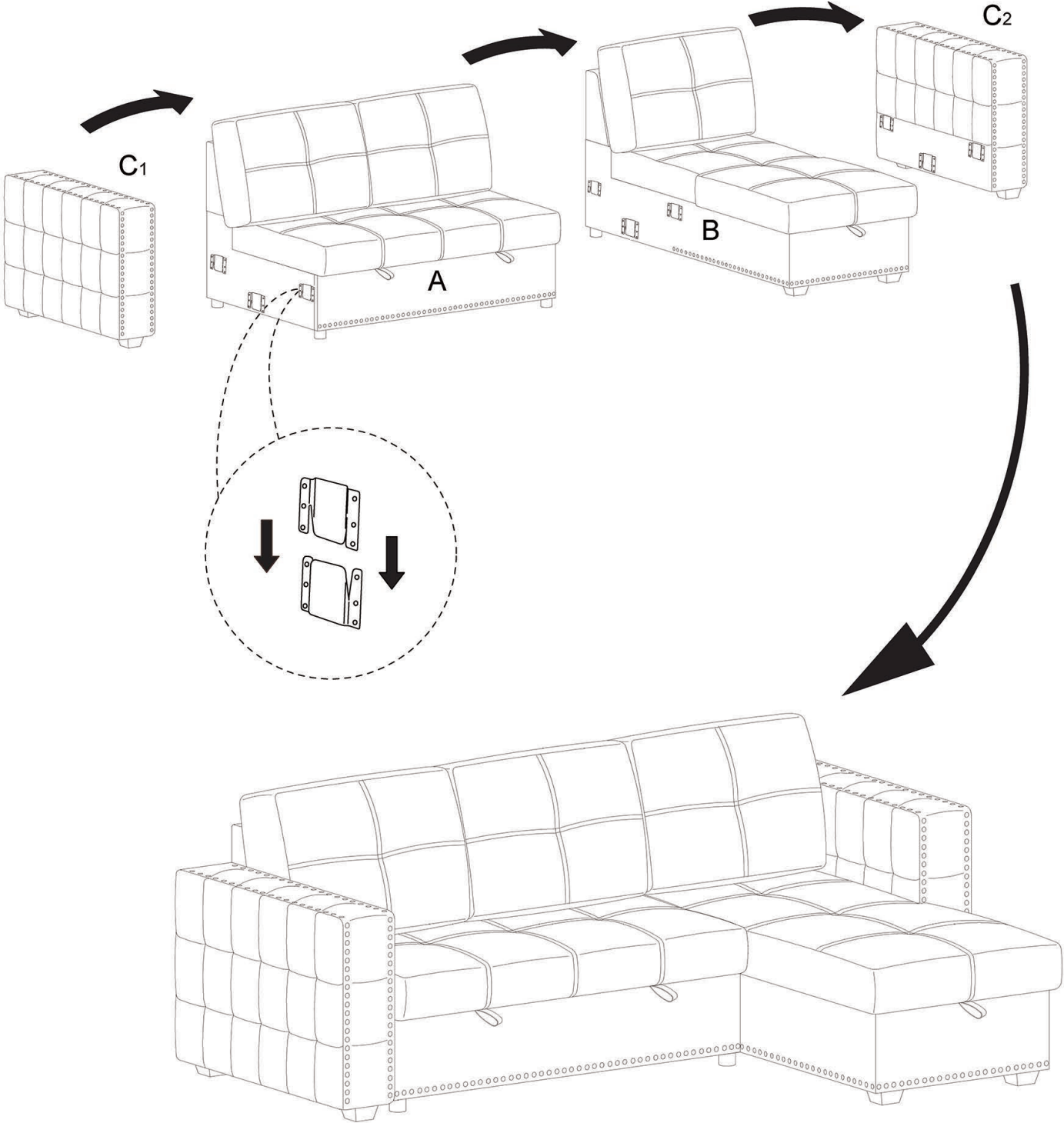
## STEP4:



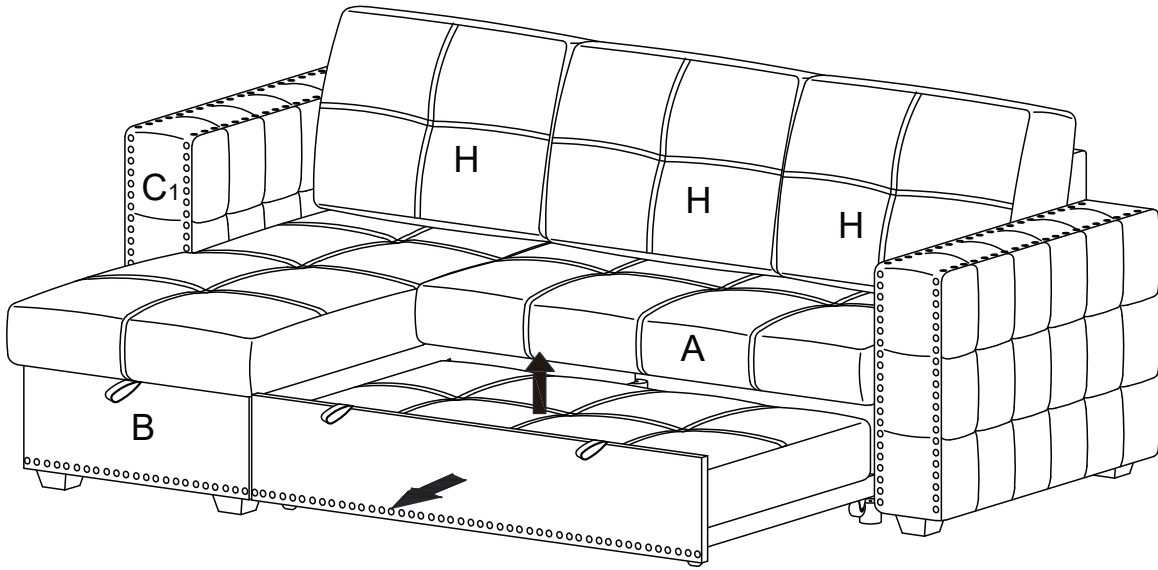
# RIGHT SOFA & LEFT CHAISE



# LEFT SOFA & RIGHT CHAISE



# STEP5:



# STEP6:

