

ASSEMBLY INSTRUCTION

ITEM NO.N715P406513

Please read these instructions fully before starting assembly:

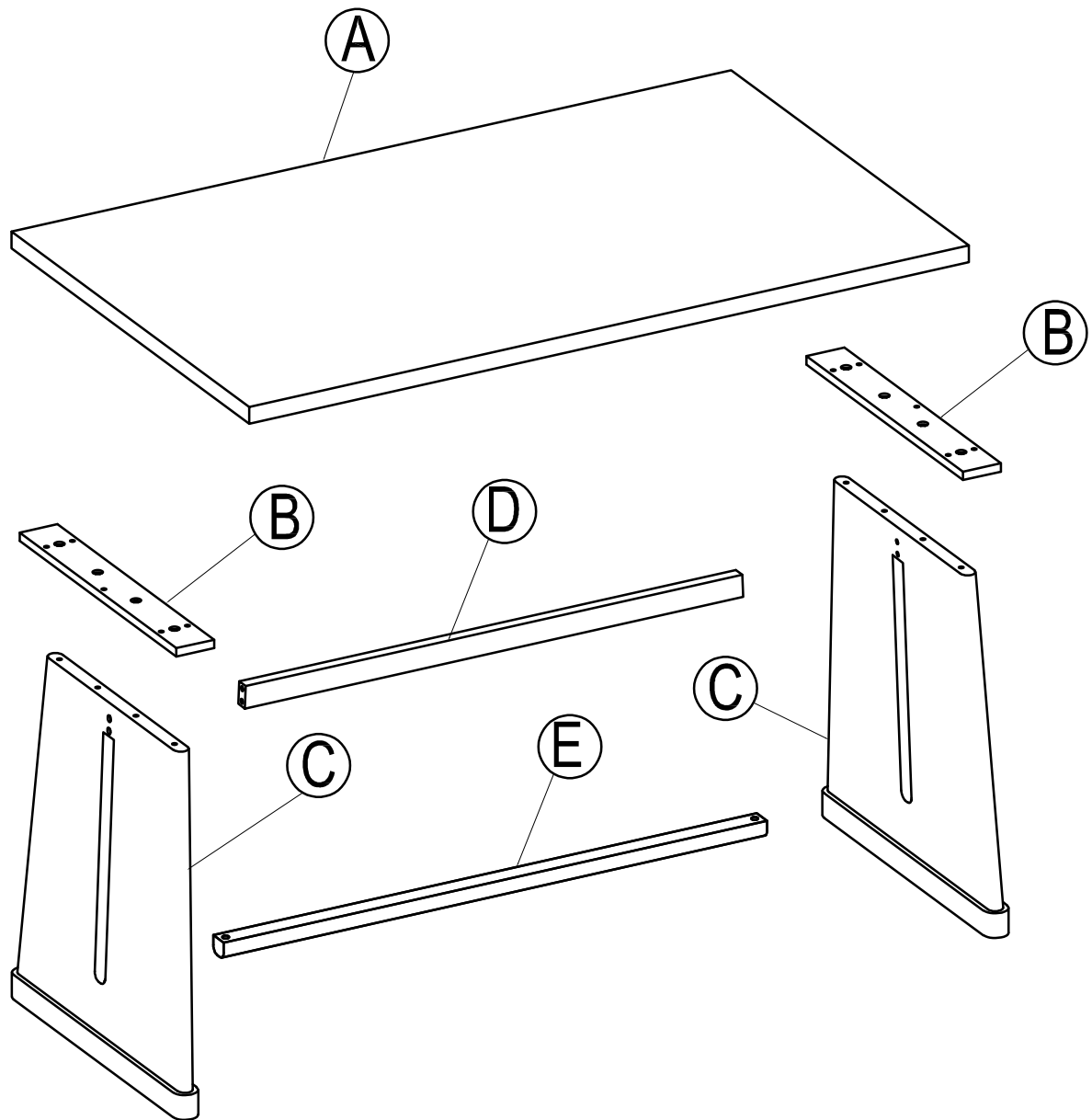
1. Place all wooden parts on a clean and smooth surface such as a rug or carpet to avoid scratching the parts.
2. Kindly follow the assembly instructions step by step.
3. Do not tighten all screws and bolts until the stool is fully assembled.
4. Unscrew the protective plastique supports from the metal insert of the table legs before assembly.
5. Parts of the assembly will be easier with 2 people.

Care and maintenance:

Only clean using a damp cloth and mild detergent, do not use bleach or abrasive cleaners.

ASSEMBLY INSTRUCTION

ITEM NO.N715P406513



ASSEMBLY INSTRUCTION

ITEM NO.N715P406513

Part List

(A)

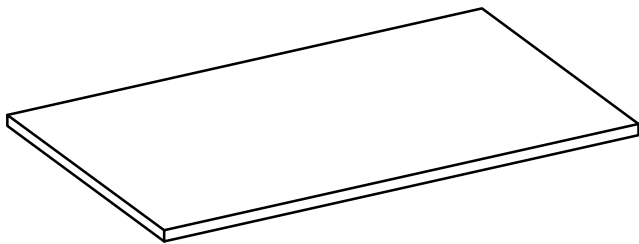
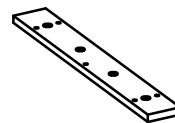


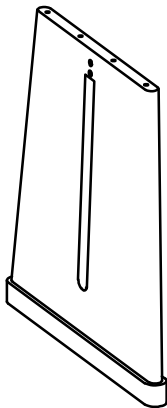
TABLE TOP (1 pc)

(B)



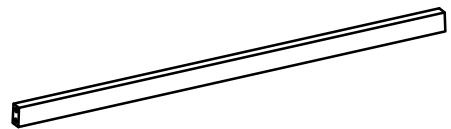
PANEL TOP LEG (2 pcs)

(C)



LEG (2 pcs)

(D)



TOP STRETCHER (1 pc)

(E)



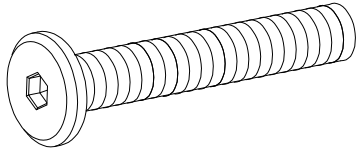
BOTTOM STRETCHER (1 pc)

ASSEMBLY INSTRUCTION

ITEM NO.N715P406513

Hardware List

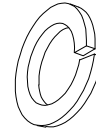
①



Ø 5/16" x 35 mm

BOLT (24 pcs)

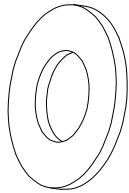
②



Ø5/16" x 13 mm

LOCK WASHER (24 pcs)

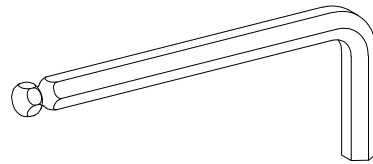
③



Ø5/16" x 19 x 2 mm

FLAT WASHER (18 pcs)

④



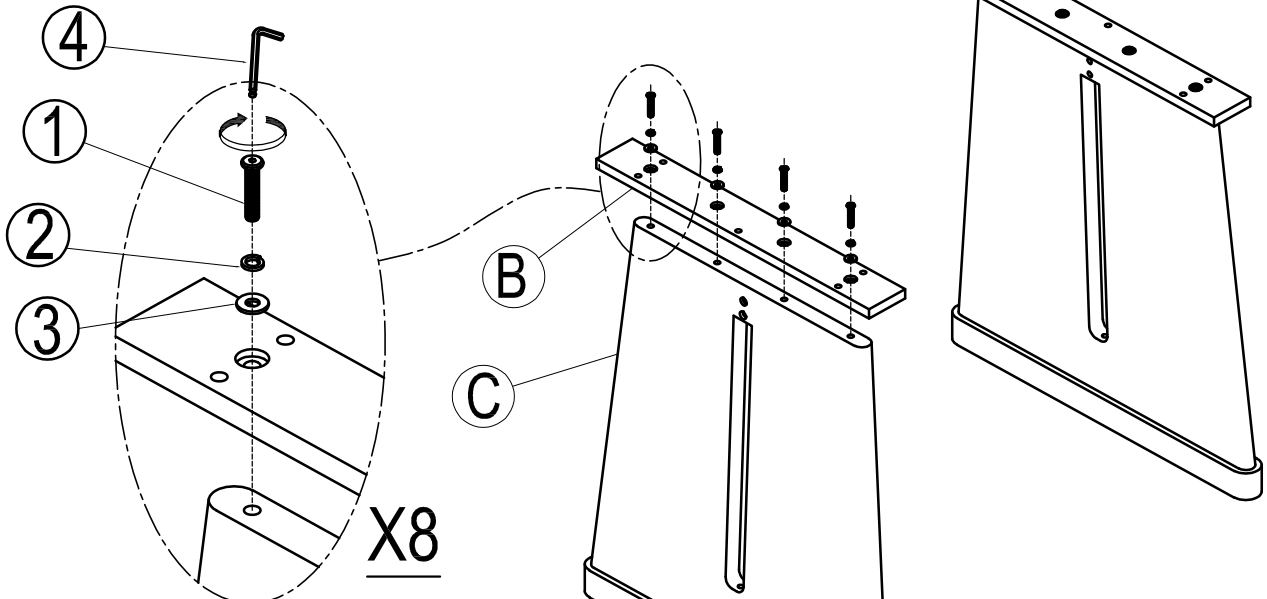
4 mm

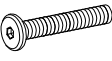



ALLEN KEY (1 pc)

ASSEMBLY INSTRUCTION

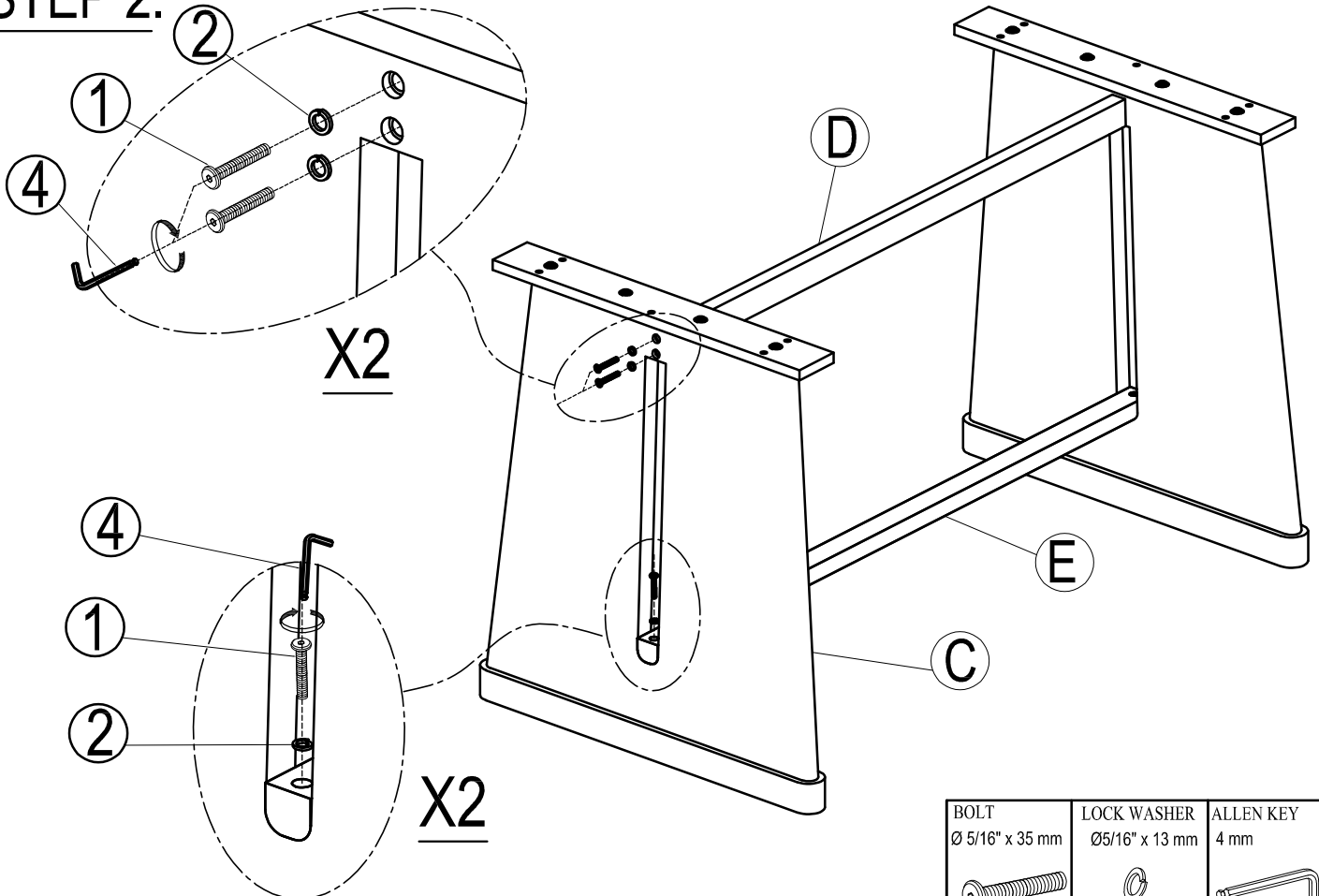
ITEM NO.N715P406513

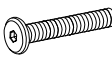


STEP 1:



BOLT Ø 5/16" x 35 mm	LOCK WASHER Ø5/16" x 13 mm	FLAT WASHER Ø5/16"x19x2 mm	ALLEN KEY 4 mm
			
① x 8	② x 8	③ x 8	④ x 1

STEP 2:

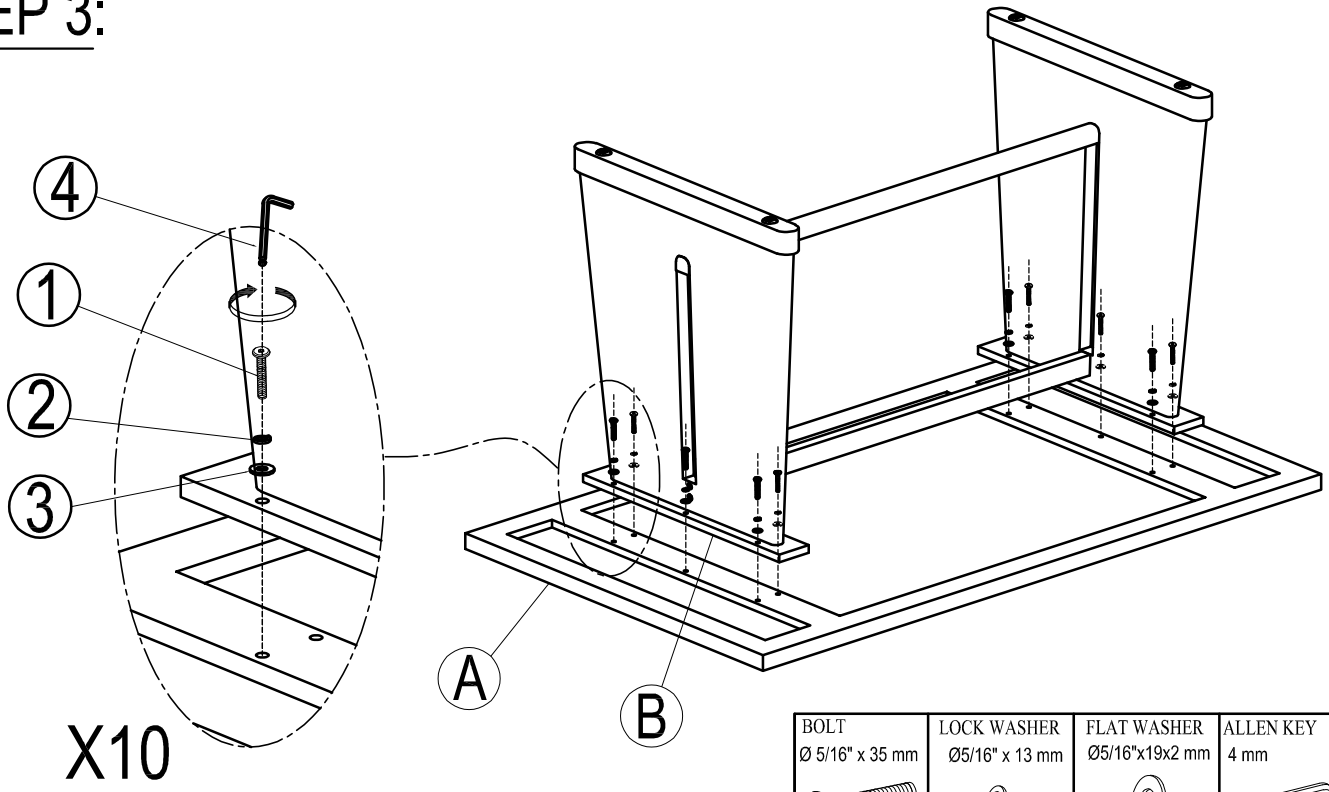


BOLT Ø 5/16" x 35 mm	LOCK WASHER Ø5/16" x 13 mm	ALLEN KEY 4 mm
		
① x 6	② x 6	④ x 1





ASSEMBLY INSTRUCTION

ITEM NO.N715P406513

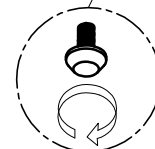
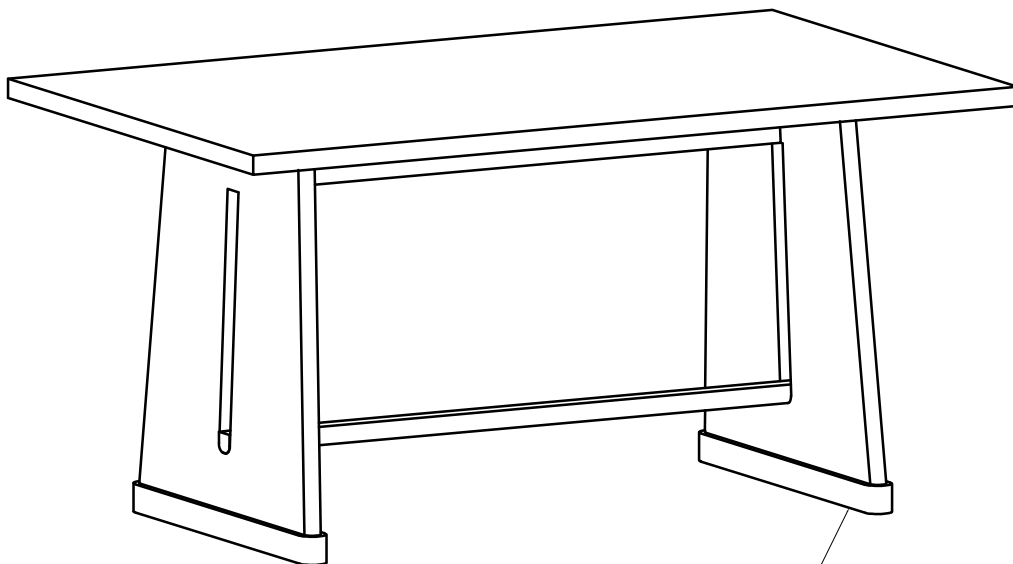
STEP 3:



X10

BOLT Ø 5/16" x 35 mm	LOCK WASHER Ø5/16" x 13 mm	FLAT WASHER Ø5/16"x19x2 mm	ALLEN KEY 4 mm
			
① x 10	② x 10	③ x 10	④ x 1

COMPLETE



Adjust Leveler = 4 pcs