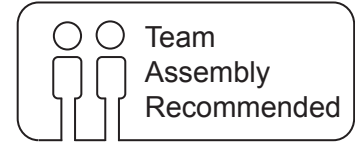
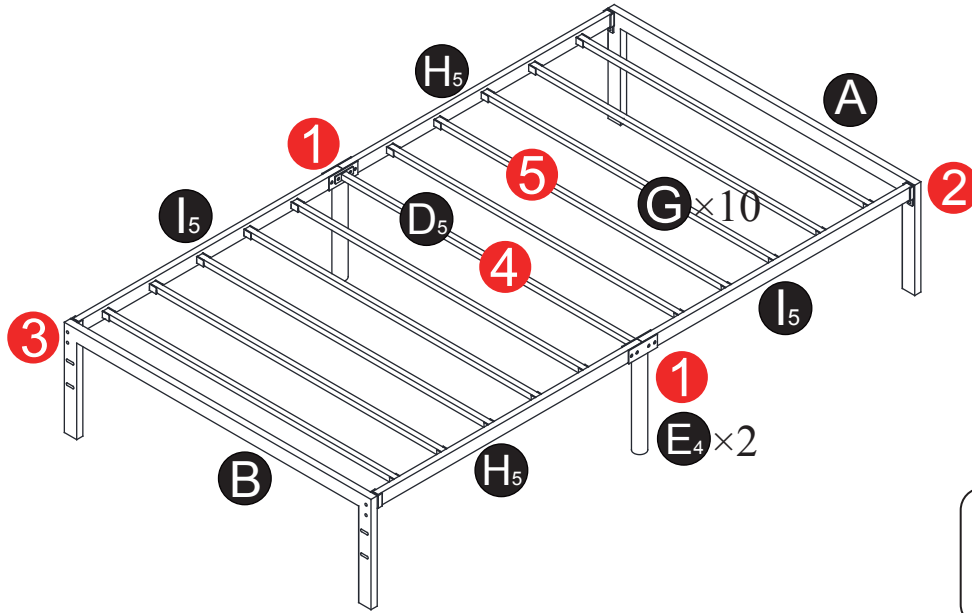


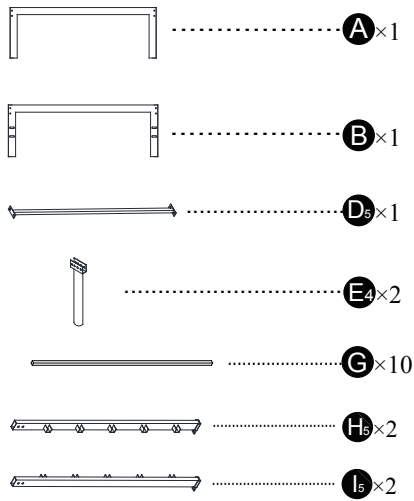
SKU:

Bed Frame Installation Manual

#Number System
Easy assembly by following 1,2,3...



Componets



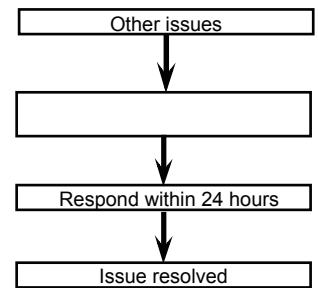
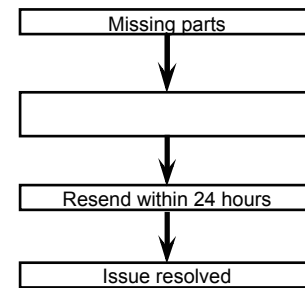
Screws & Tools

1		M8X40mm	x8
2		M8X35mm	x8
3		M6X15mm	x4
4			x8
5		M8	x12
6		M5	x1
7		M13/M10	x1

Return Policy

We believe you will absolutely love your Metal platform bed. But if for some reason you want to return the foundation, please contact us directly before you decide to return your product. Our customer service organization can answer most concerns and assist you with any questions you may have about your new foundation,

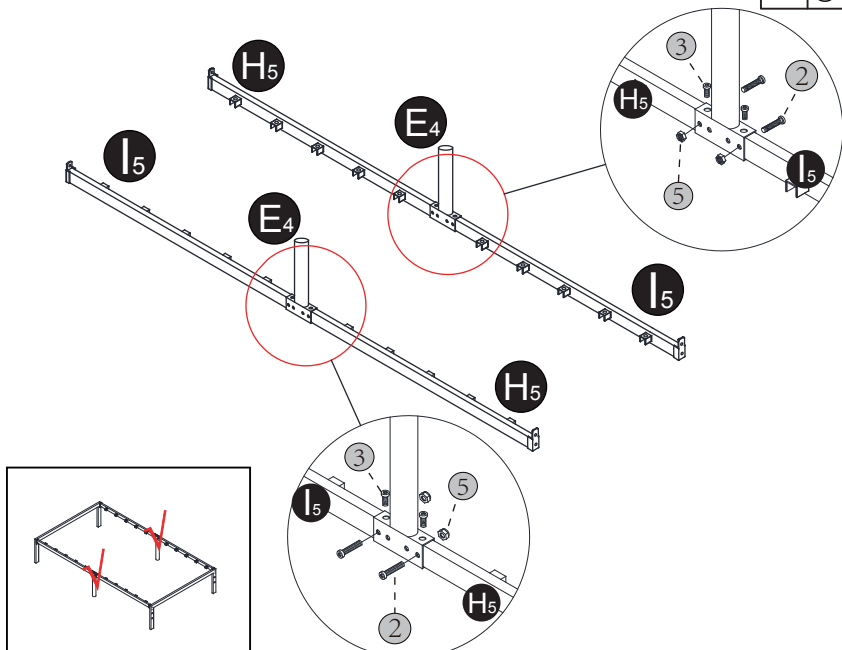
Trouble shooting:



We control manufacturing and distribution ourselves, ensure the quality.

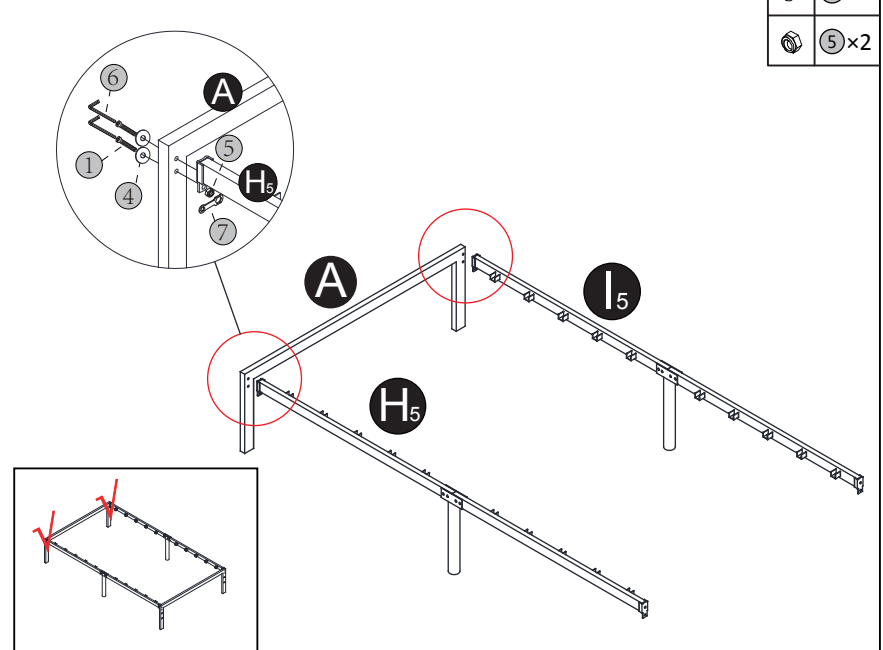
1 Connect E₄ to H₅ & I₅

	2 x 4		3 x 4
			5 x 4



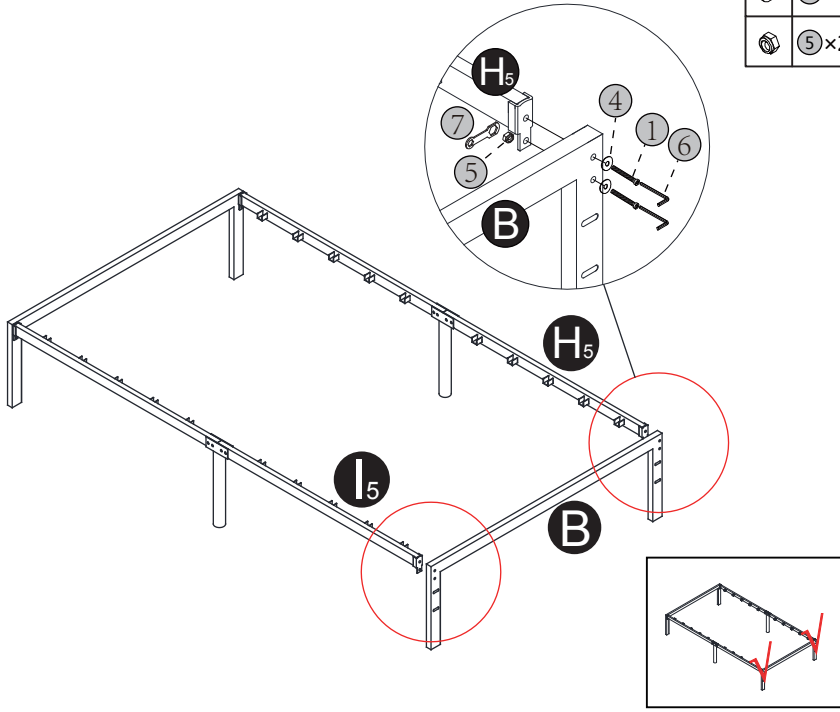
2 Connect A to H₅ & I₅

	1 x 4
	4 x 4
	5 x 2



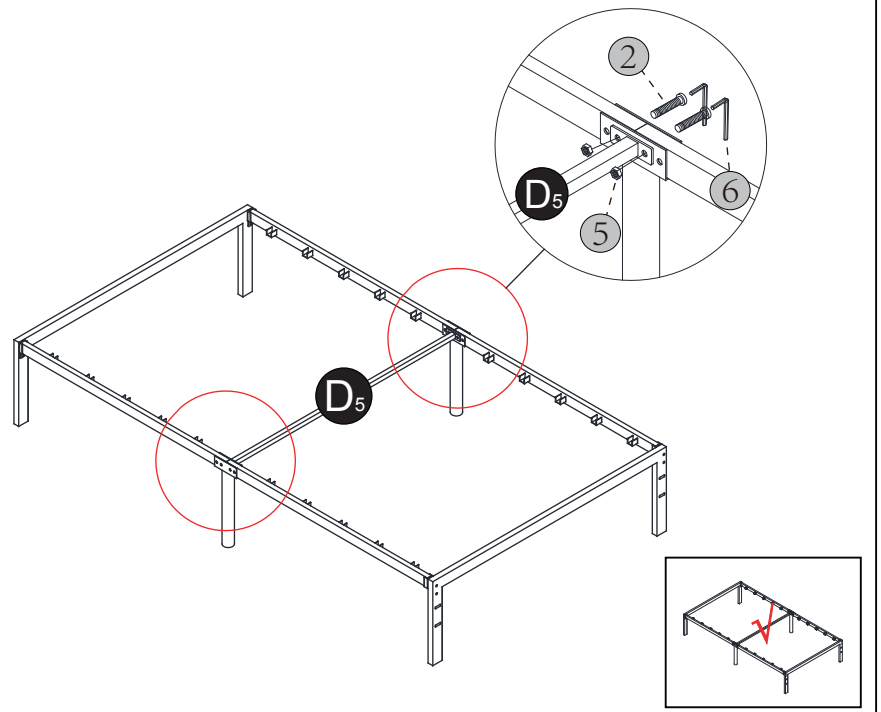
3 Connect **B** to **H₅** & **I₅**

- 1x4
- 4x4
- 5x2

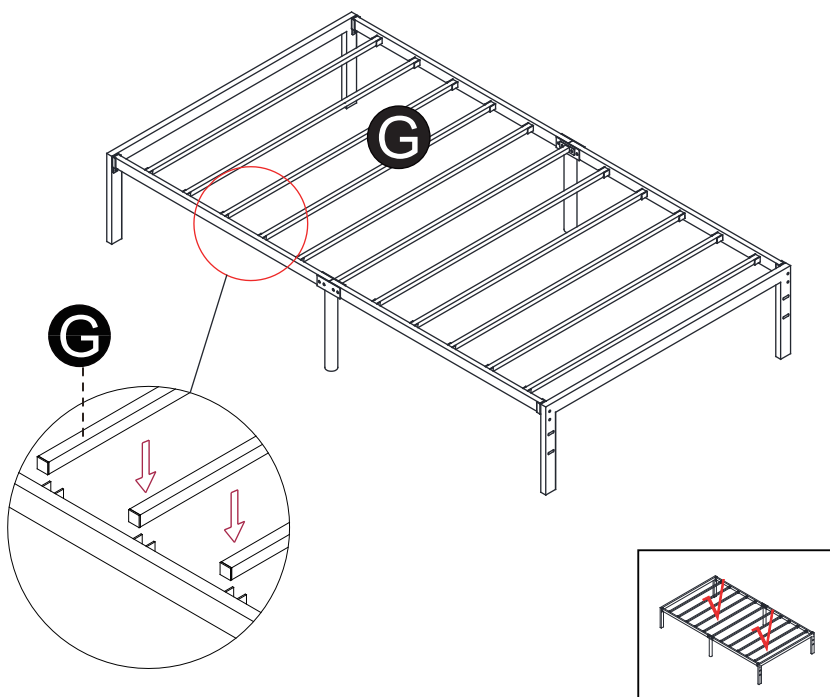


4 Connect **D₅** to **E₄**

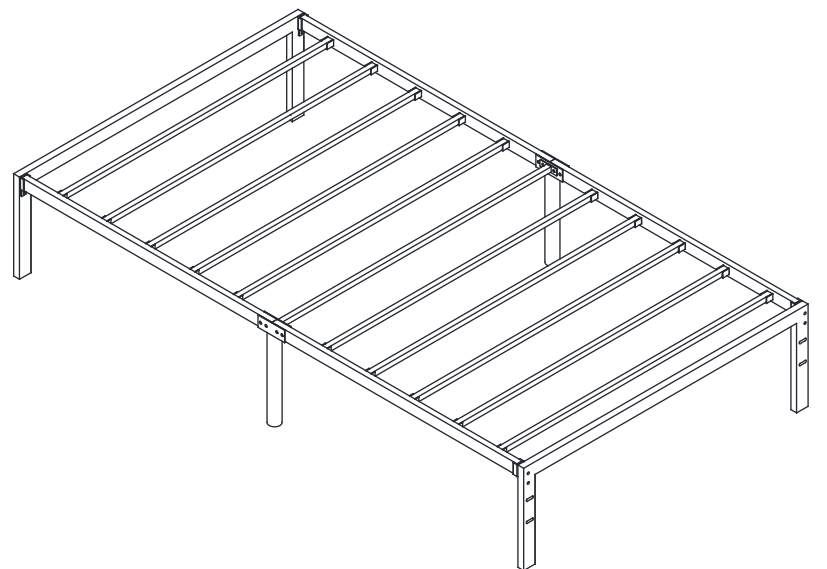
- 2x4
- 5x4



5 Assemble bed slats



6 Check and tighten all screws



CAUTIONS!

