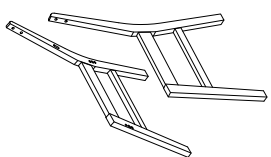



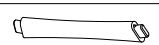
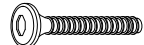
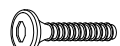



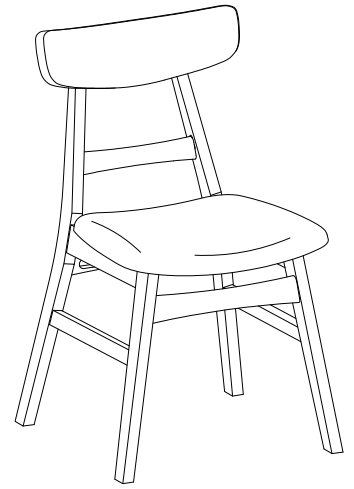


# ASSEMBLY INSTRUCTIONS

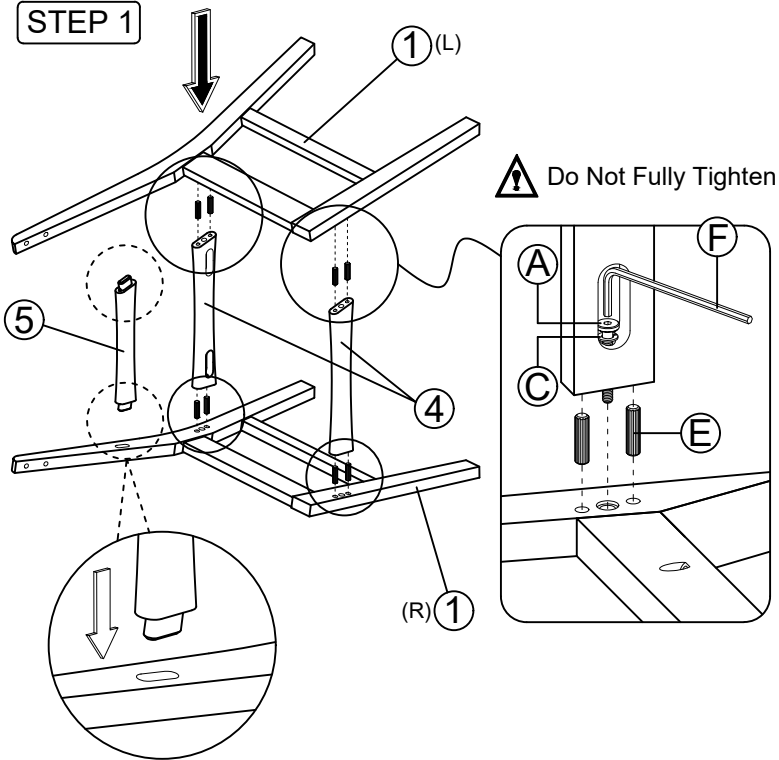
MODEL : LW2316

Item	Description	Qty
1	Leg (R&L) 	2 pcs
2	Cushion Seat 	1 pc
3	Back Rest 	1 pc
4	Front & Back Apron 	2 pcs
5	Back Rail 	1 pc

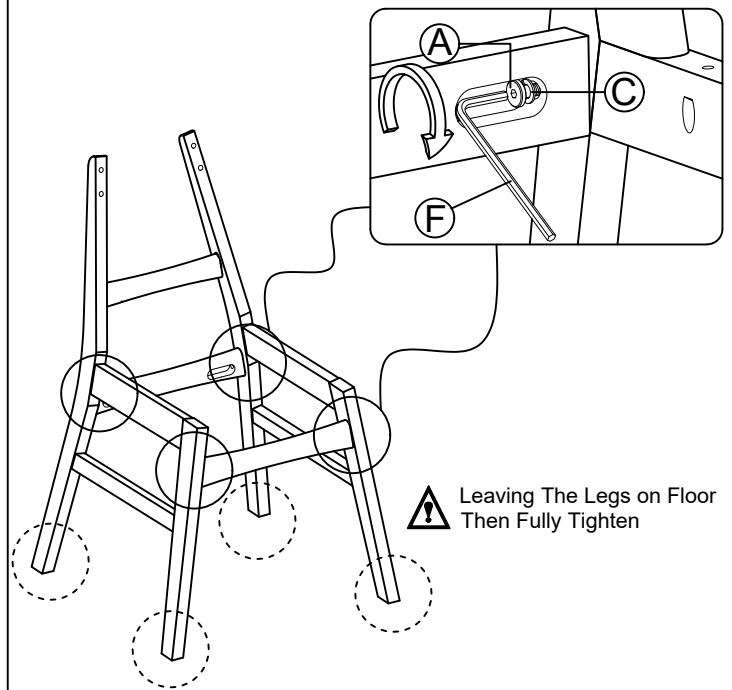
Item	Description	Qty
A	JCBC Screw M6 X 40mm 	4 Pcs
B	JCBC Screw M6 X 25mm 	4 Pcs
C	Spring Washer M6 	8 Pcs
D	Csk 4 X 32mm 	6 Pcs
E	Wood Dowel M8 X 30mm 	8 Pcs
F	Allen Key 	1 Pc



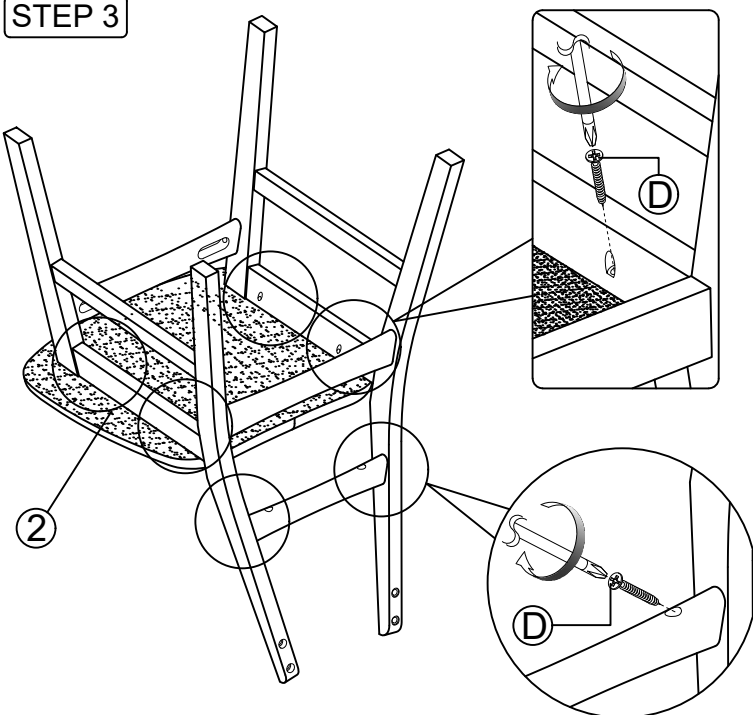
## STEP 1



## STEP 2



## STEP 3



## STEP 4

