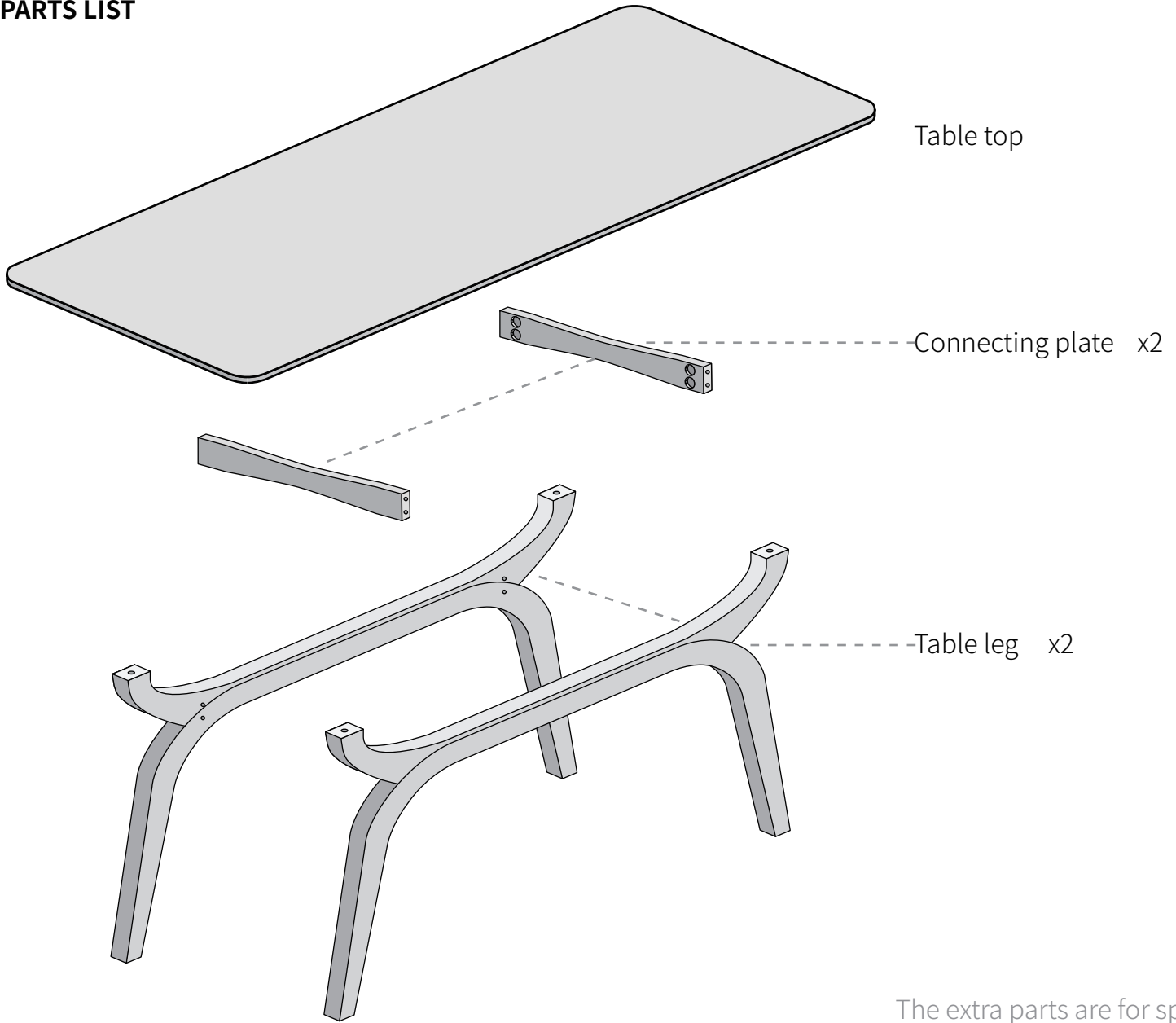
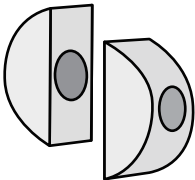


# INSTALLATION INSTRUCTIONS

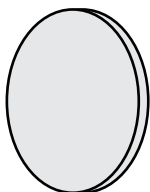
## PARTS LIST



Double head screw x8



Semicircular nut x8



Lid x8



Nut x8



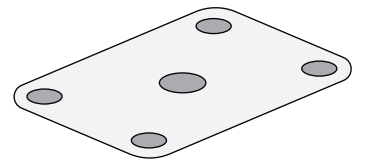
Gasket x8



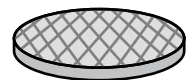
Screw x4



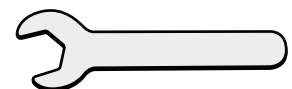
Tapping screw x16



Connecting piece x4



Non-slip rubber pad x4



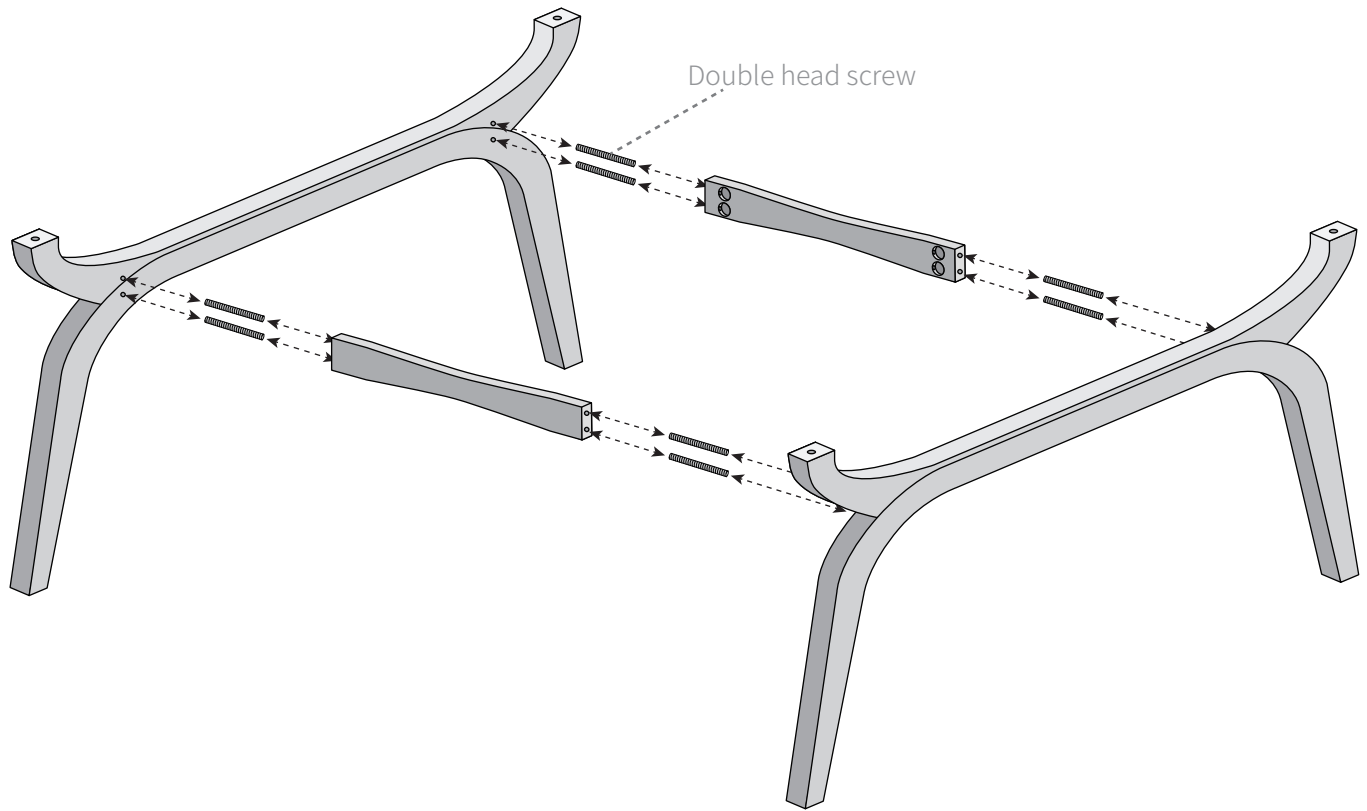
Wrench



Hex key

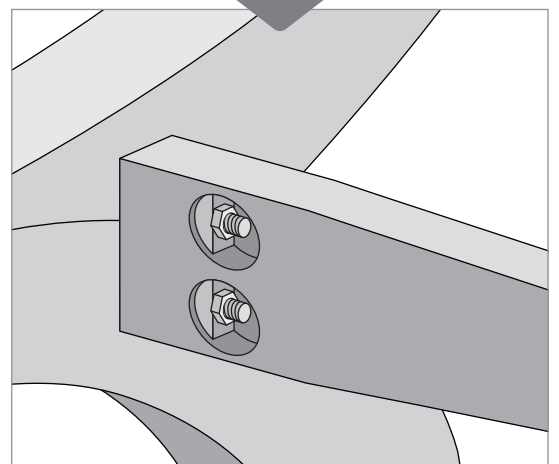
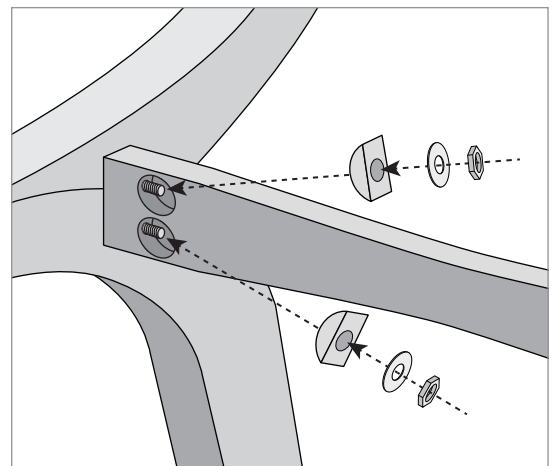
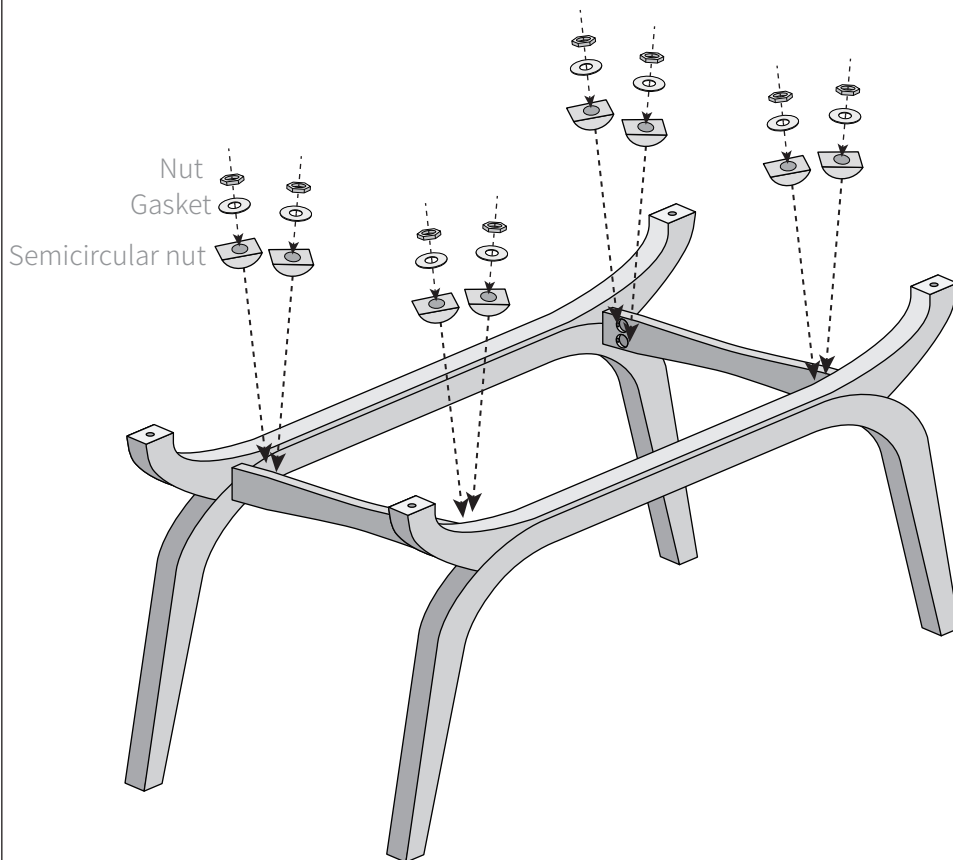
## STEP 1

Connect the Connecting plate and the Table leg with double-headed screws



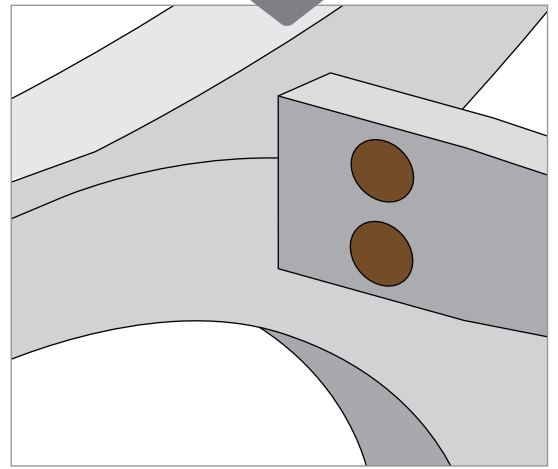
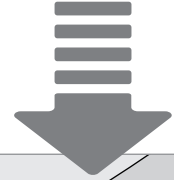
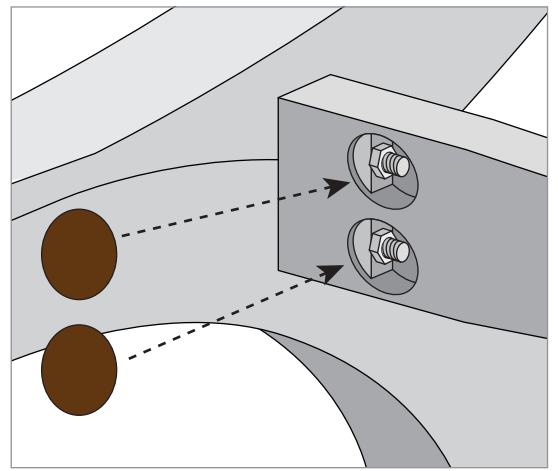
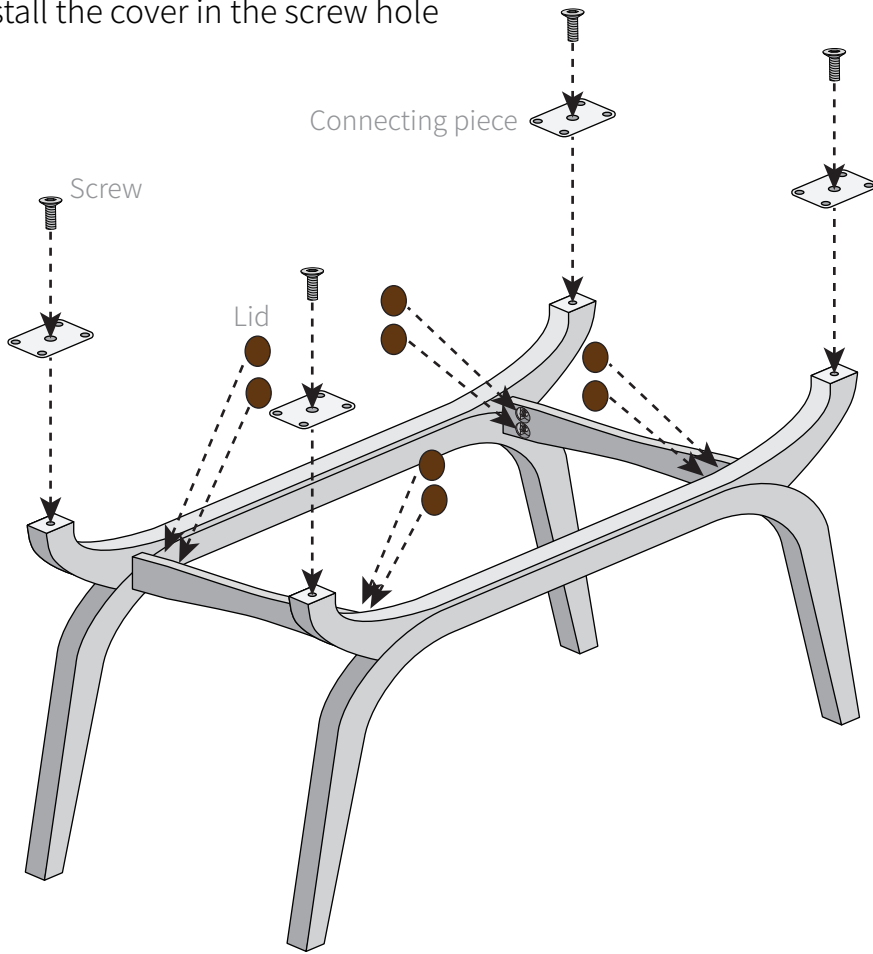
## STEP 2

Fix the double-ended screw with Semicircular nut, Gasket and Nut



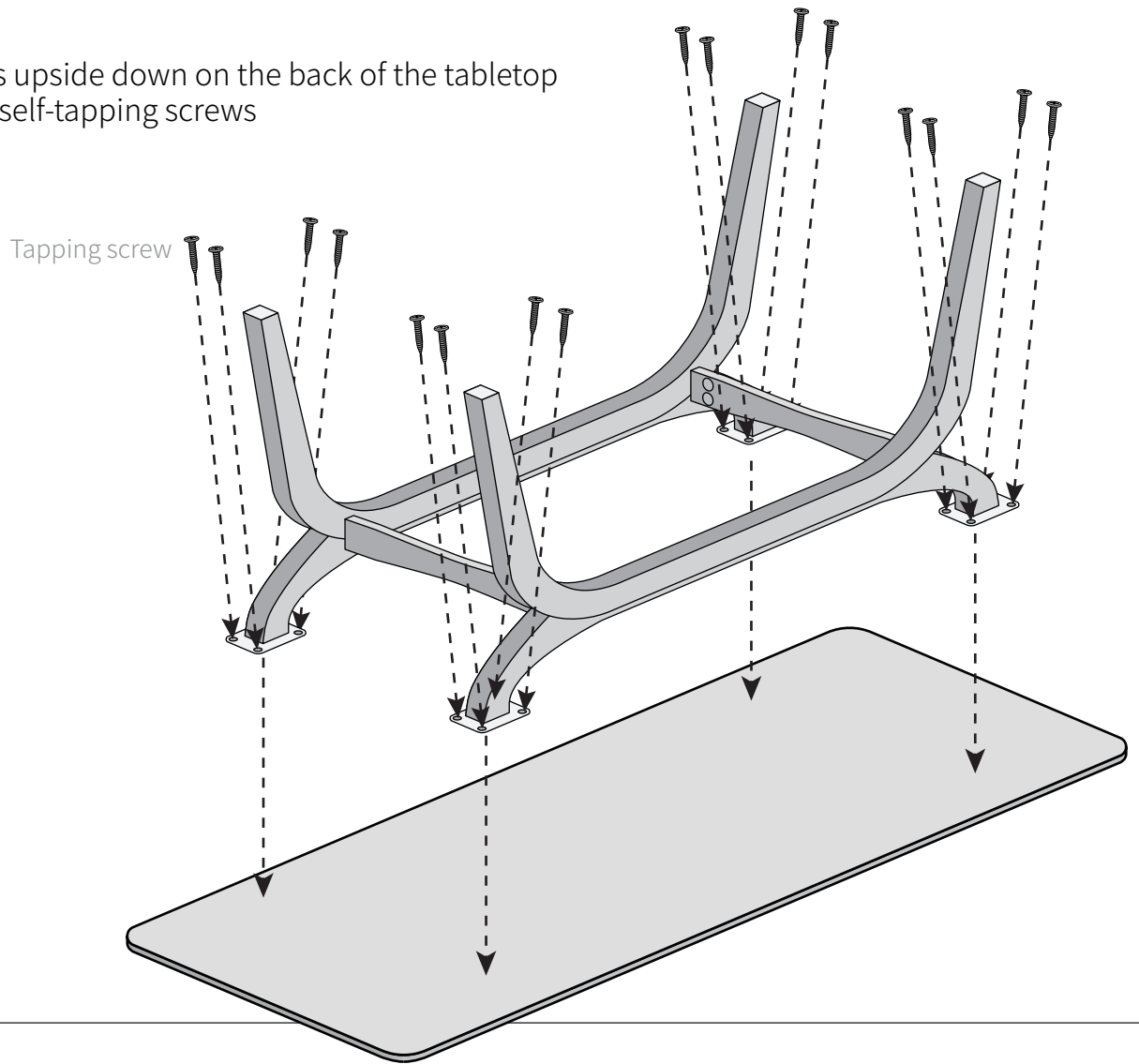
### STEP 3

Install the Connecting piece on the top of the table legs.  
Install the cover in the screw hole



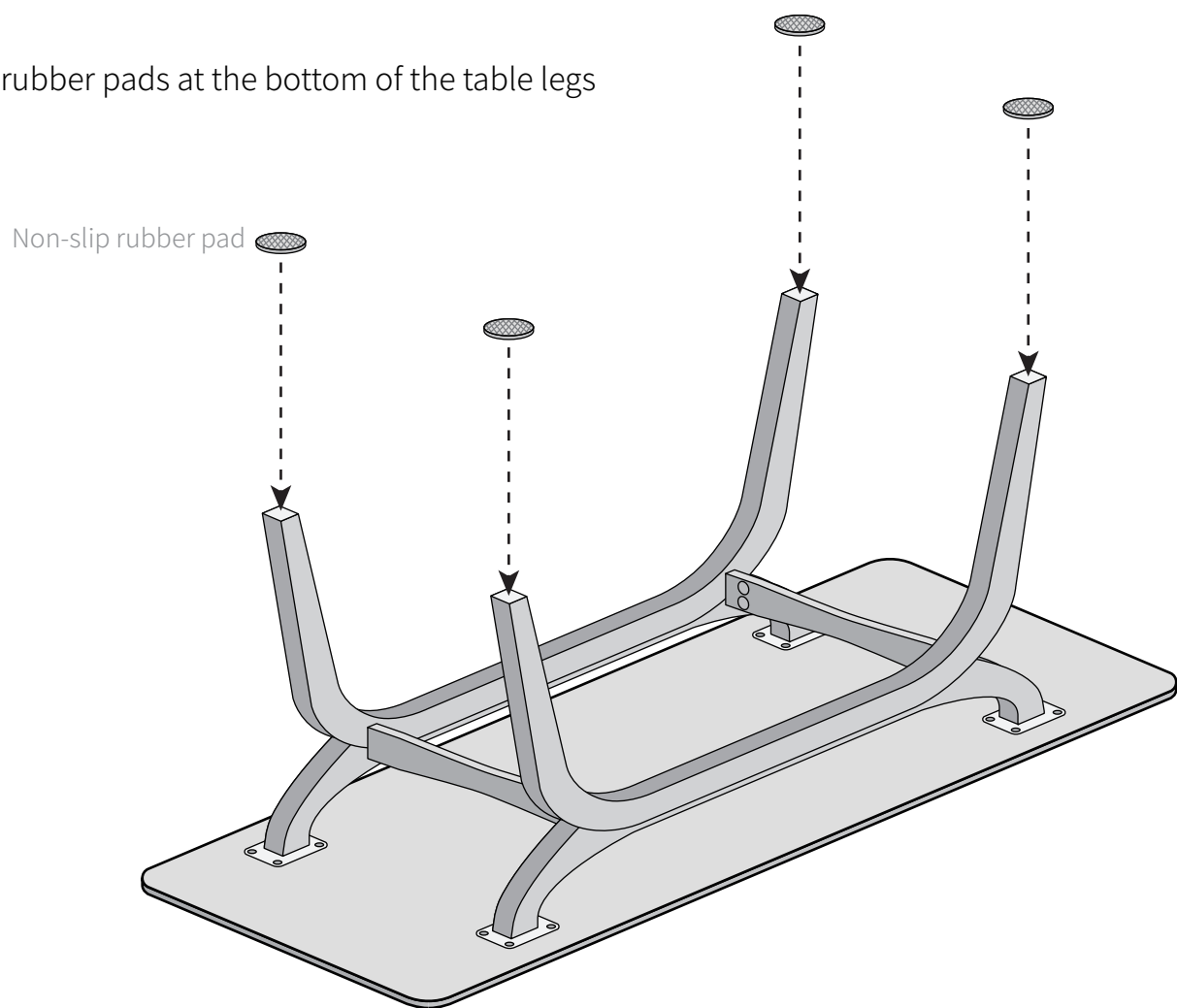
### STEP 4

Turn the table legs upside down on the back of the tabletop  
and fix them with self-tapping screws



## STEP 5

Install anti-slip rubber pads at the bottom of the table legs



## INSTALLATION COMPLETED

