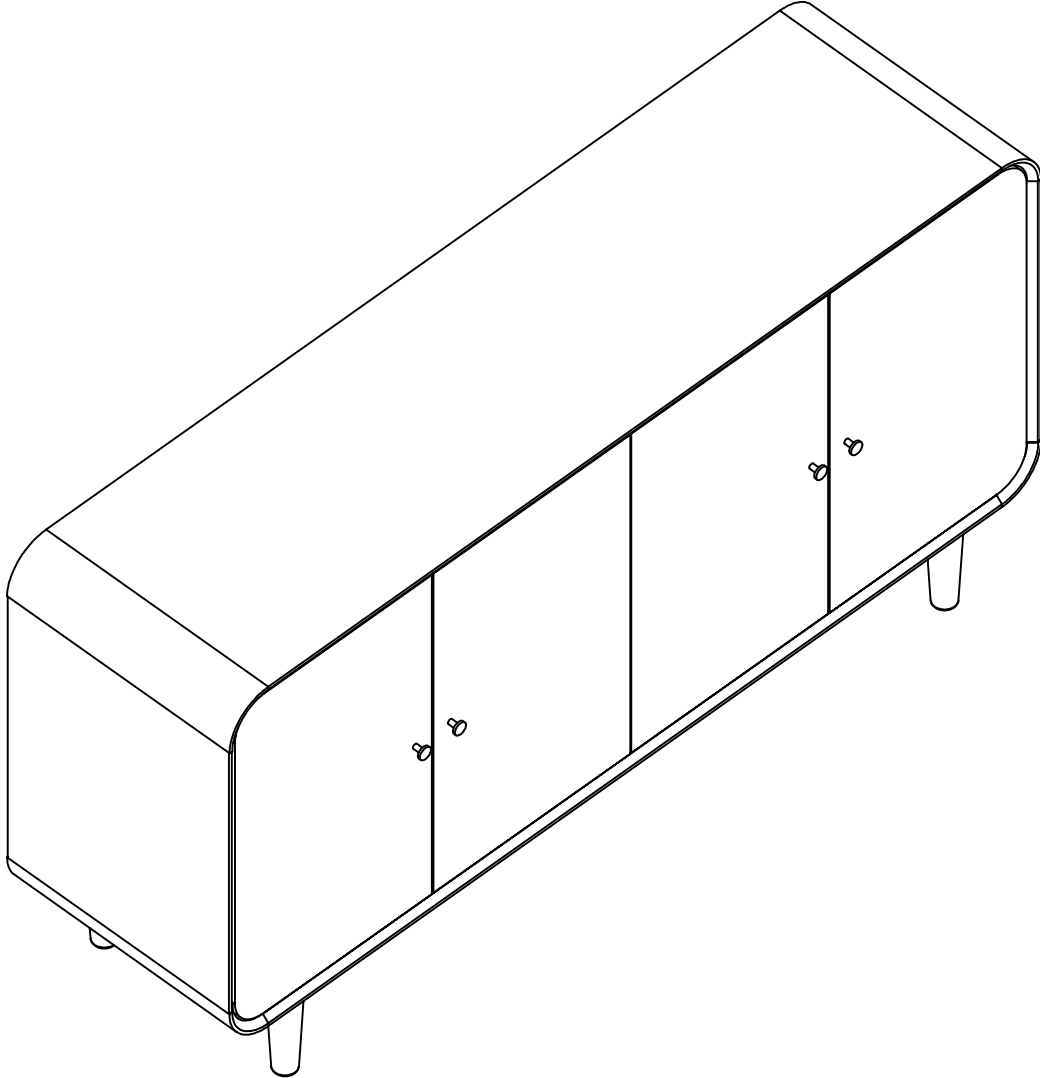


Owner Manual

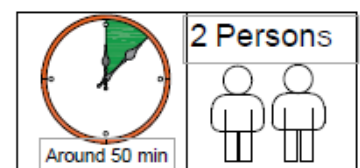


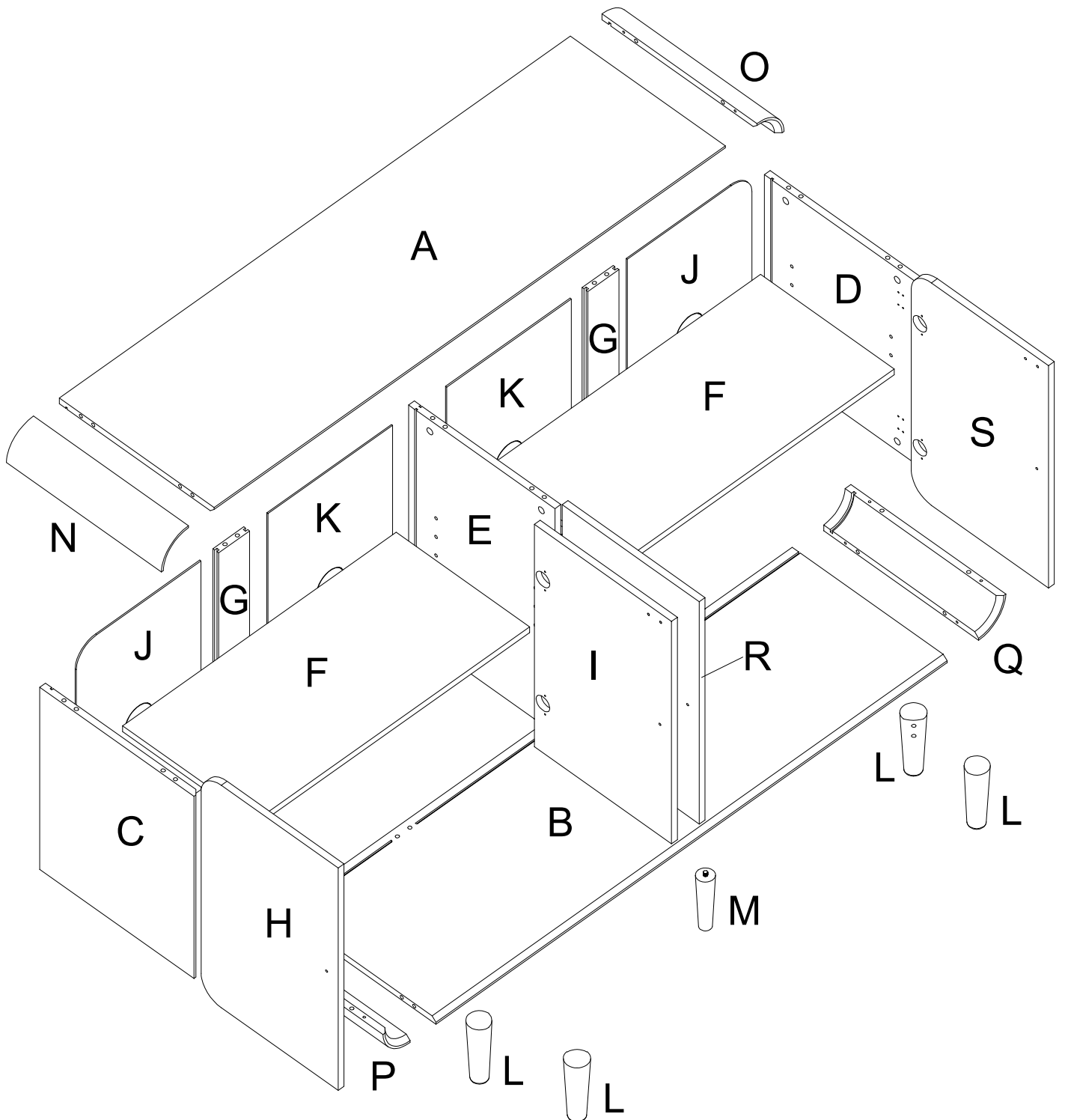
NOTE:

This brochure contains **IMPORTANT** safety info. Please read and keep for future reference.

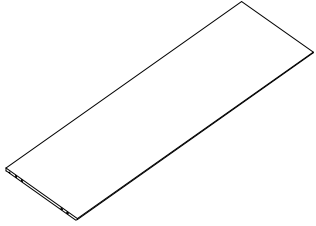
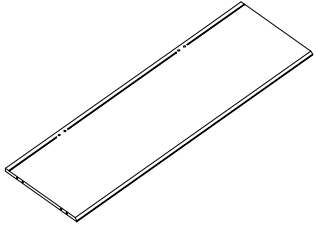
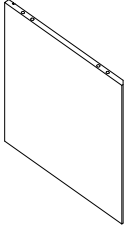
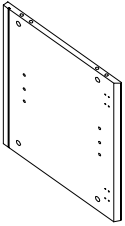
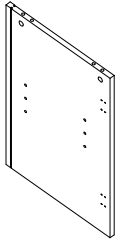
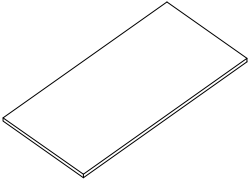

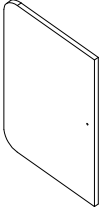
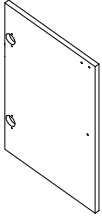
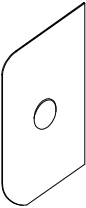
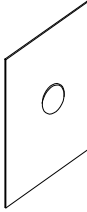


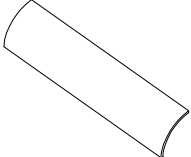
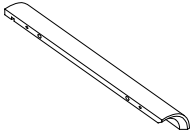
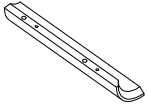
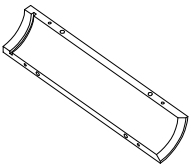
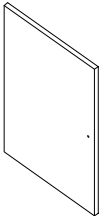
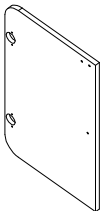
MAINTENANCE AND WARNING

- 1.Keep furniture away from heat sources.
- 2.Do not clean furniture with harsh cleaner or polishes.Do not use detergents,solvents,abrasives,spray packs or leather cleaner. Use non-color mild soap with warm water to clean spills(Mix 1:10 soap to water).
- 3.Do not place furniture under direct sunlight,material will possibly fade over time.
- 4.Do not use on site dry cleaning machine.Children should not climb or jump on the furniture.
- 5.Do not write on furniture that is not protectedby a padded barrier.
- 6.Not for commercial use,only for residential use.

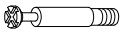



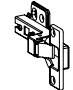
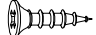
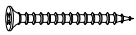



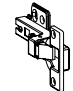









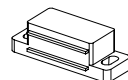
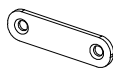




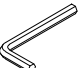
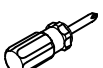
PARTS LIST

A	X1	B	X1	C	X1	D	X1
							
E	X1	F	X2	G	X2	H	X1
							
I	X1	J	X2	K	X2	L	X4
							
M	X1	N	X1	O	X1	P	X1
							
Q	X1	R	X1	S	X1		
							

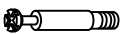
HARDWARE LIST


#1	x22		M6x35mm
#2	x22		Φ15mm
#3	x20		Φ8x30mm
#4	x6		M7x50mm
#5	x4		Large Curved
#6	x106		M3.5x14mm
#7	x4		M4x35mm
#8	x10		Φ20
#9	x22		14x14x9mm
#10	x8		Ø5mm
#11	x4		Small Curved
#12	x4		Pull handle
#13	x4		M4x18mm
#14	x8		M6x60mm
#15	x4		
#16	x5		M6x20mm
#17	x8		Ø16xØ8mm
#18	x4		
#19	x2		
#20	x4		Ø8x30mm
#21	x4		
#22	x4		

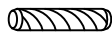
TOOL LIST


#23	x1		4#
#24	x1		


HARDWARE SPARE LIST

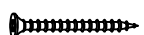
#1	x2
	
M6x35mm	


#2	x2
	
Φ15mm	

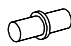
#3	x2
	
Φ8x30mm	


#4	x1
	
M7x50mm	


#6	x3
	
M3.5x14mm	


#7	x1
	
M4x35mm	

#9	x1
	
14x14x9mm	

#10	x1
	
Ø5mm	

#13	x1
	
M4x18mm	

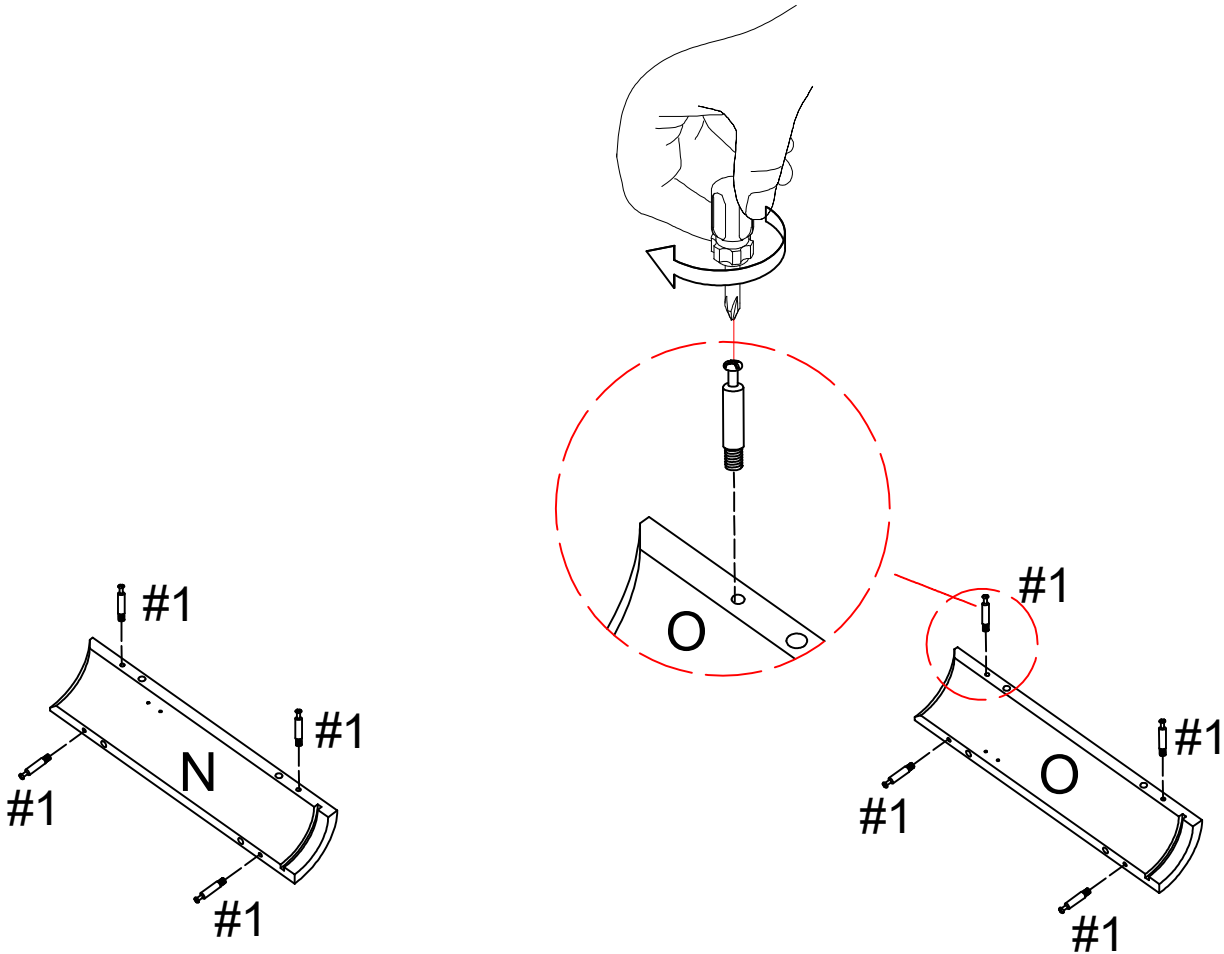
#14	x1
	
M6x60mm	

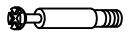
#17	x1
	
Ø16xØ8mm	

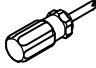
ASSEMBLY INSTRUCTIONS

STEP-1

picture shows. Use bolt #1 to attach panel N and O
tighten bolts with screwdriver #24.



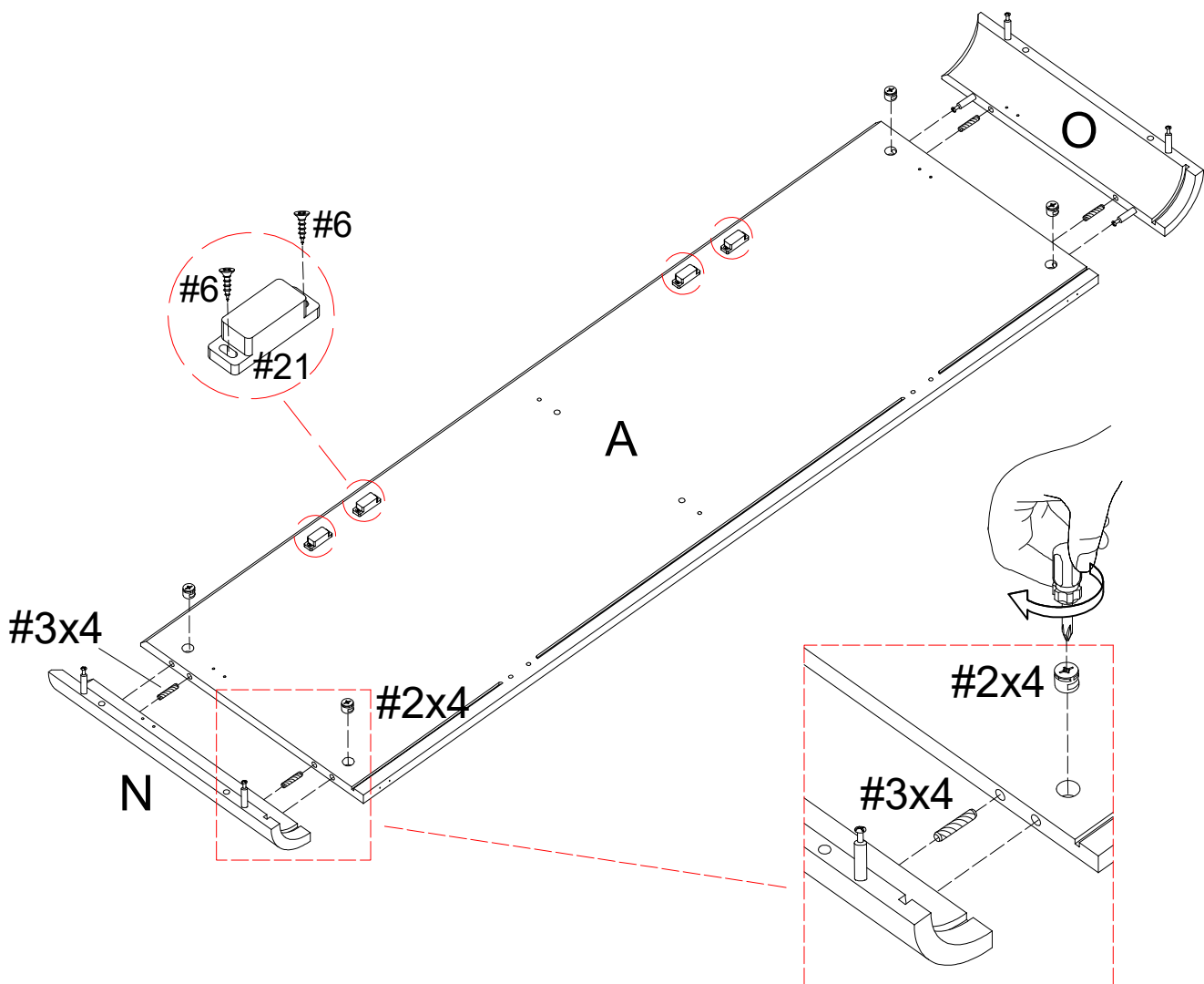
#1	x8
	
M6x35mm	

#24	x1
	

ASSEMBLY INSTRUCTIONS

STEP-2

1. Prepare for part A to connect part A and N & O with the wooden dowel #3 as picture show.
 2. Insert cam bolt #2 into the corresponding hole of the panel A and tighten the nuts #2 with a screwdriver #24.
- Pass screw #6 through #21 and secure it with screwdriver #24.

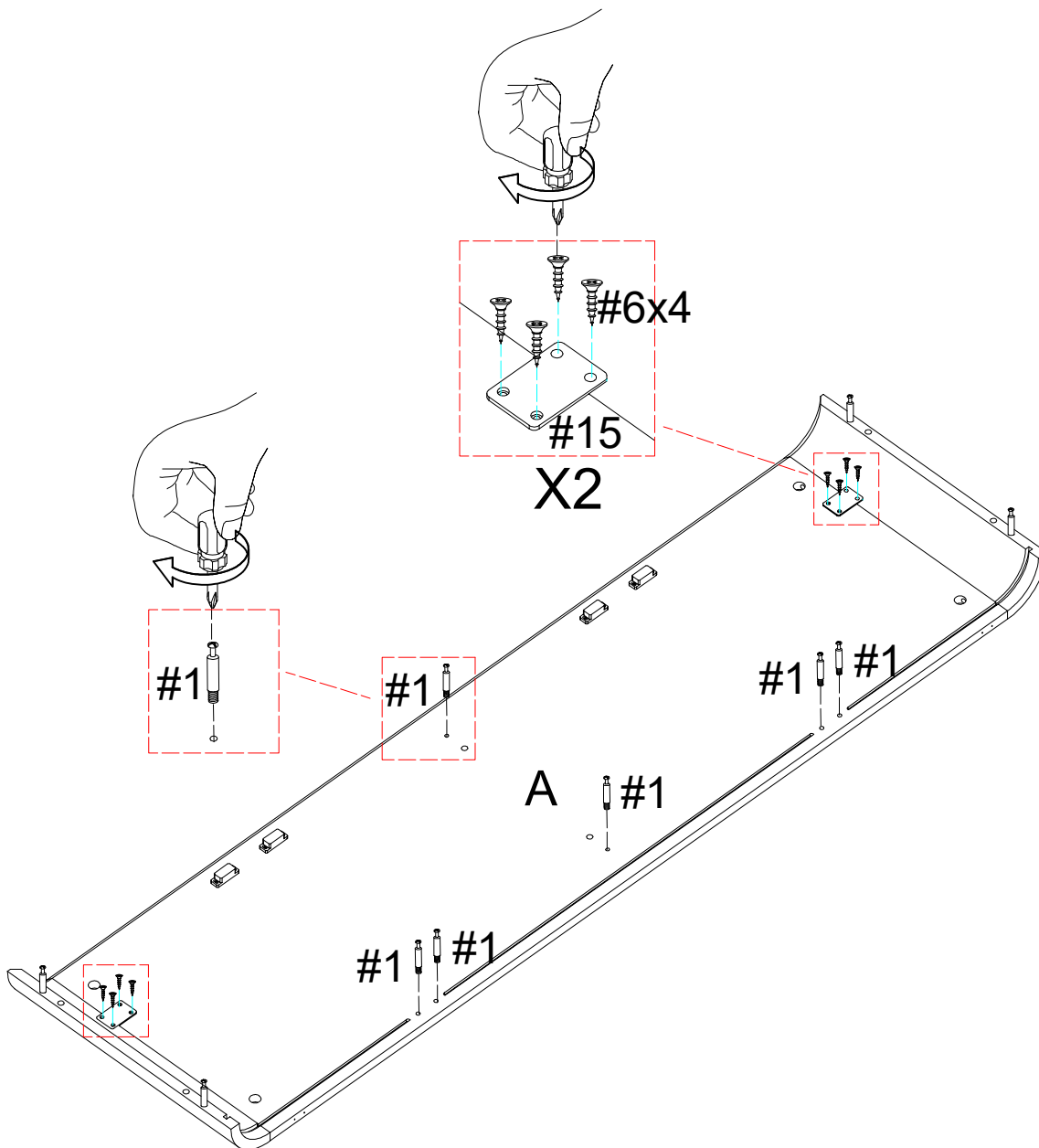


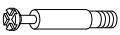
#2	X4	#3	X4	#6	X8	#21	X4	#24	X1
Φ15mm		Φ8x30mm		M3.5x14mm					

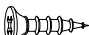
ASSEMBLY INSTRUCTIONS


STEP-3

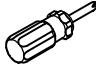
Use bolt #1 to attach the panel A by screwdriver #24. 2. Insert the bolt #6 to attach the part A and O & N with sheet iron #15 by the screwdriver #24 as the picture show.



#1	X6
	
M6x35mm	

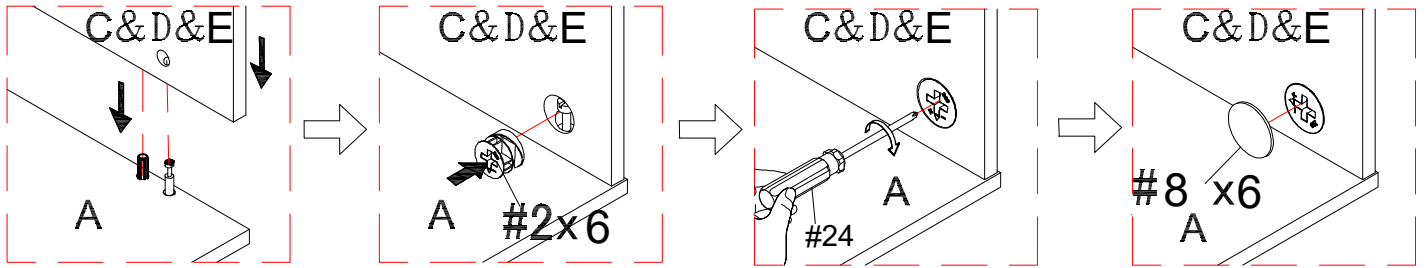
#6	X8
	
M3.5x14mm	

#15	X2
	

#24	X1
	

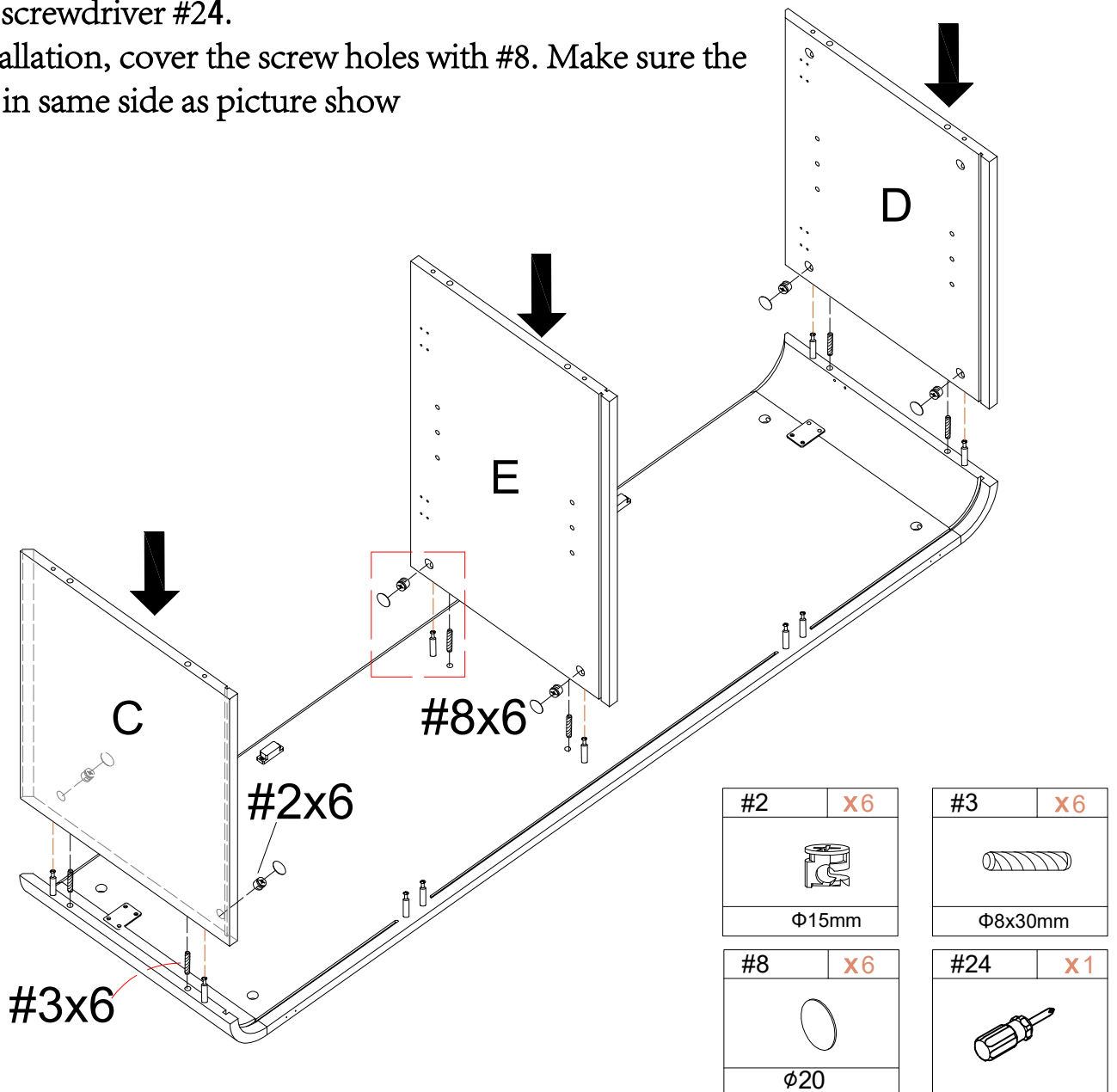
ASSEMBLY INSTRUCTIONS

STEP-4



1. Insert the wooden dowel #3 into part C&D&E to connect the preassembled unit in step 3. 2. Insert cam bolt #2 into the corresponding hole of side panel C&D&E and tighten the nuts #2 with a screwdriver #24.

After installation, cover the screw holes with #8. Make sure the groove is in same side as picture show

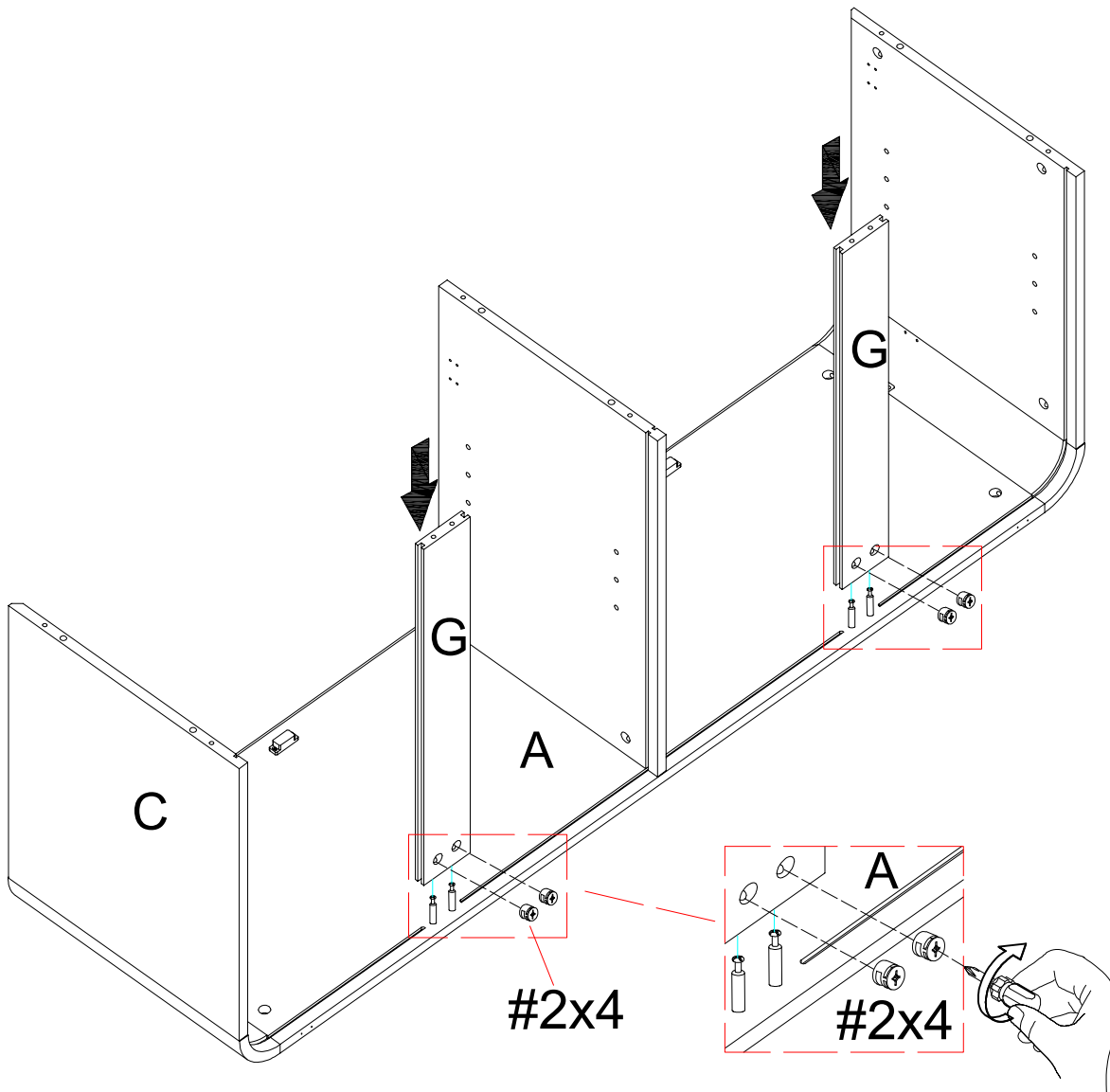



#2	X6	#3	X6
Φ15mm		Φ8x30mm	
#8	X6	#24	X1
Φ20			

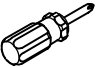
ASSEMBLY INSTRUCTIONS

STEP-5

Insert the plate #G into the panel A with the bolt #2 to immobilization by screwdriver #24



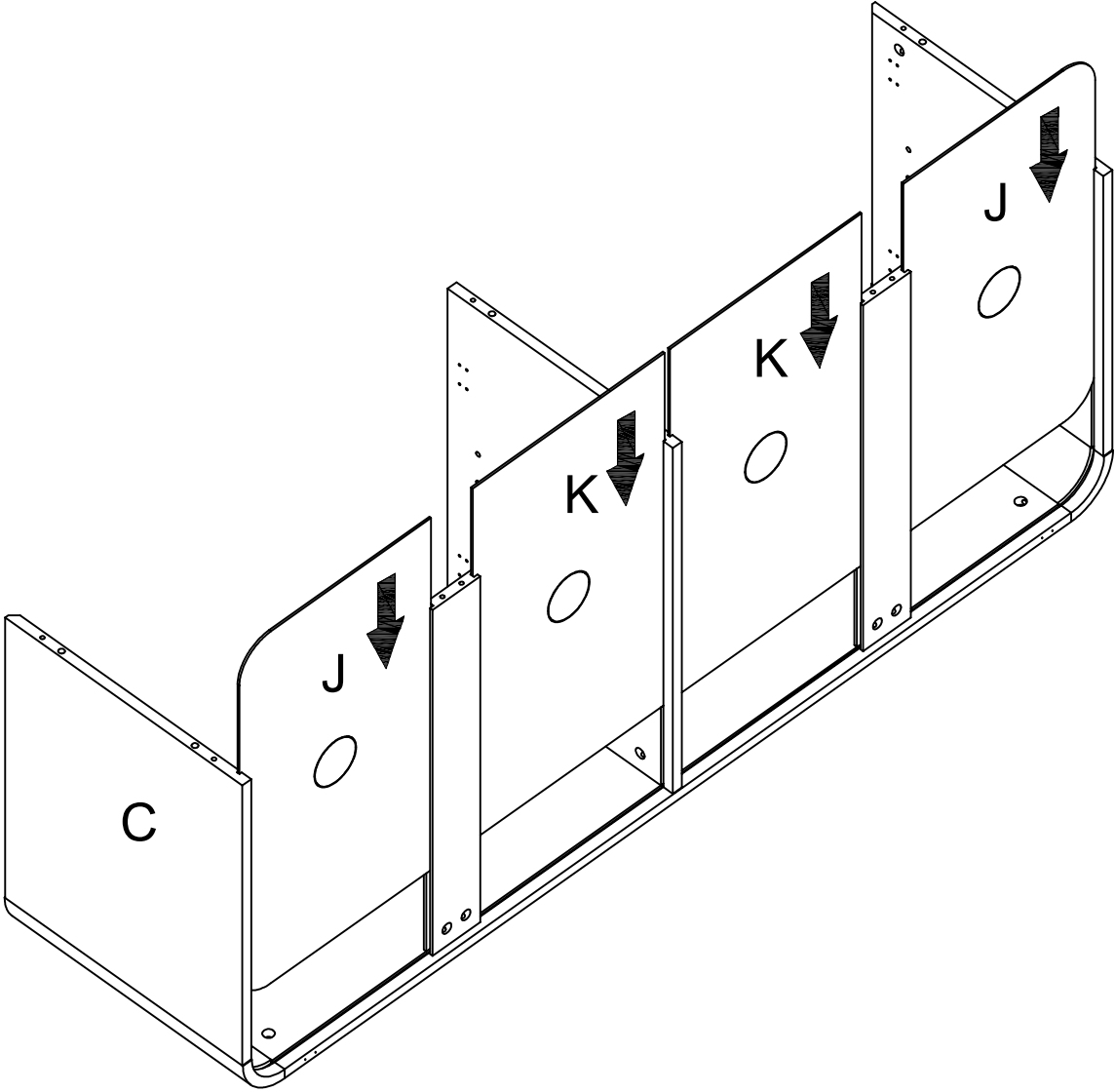
#2	X4
	
Φ15mm	

#24	X1
	

ASSEMBLY INSTRUCTIONS

STEP-6

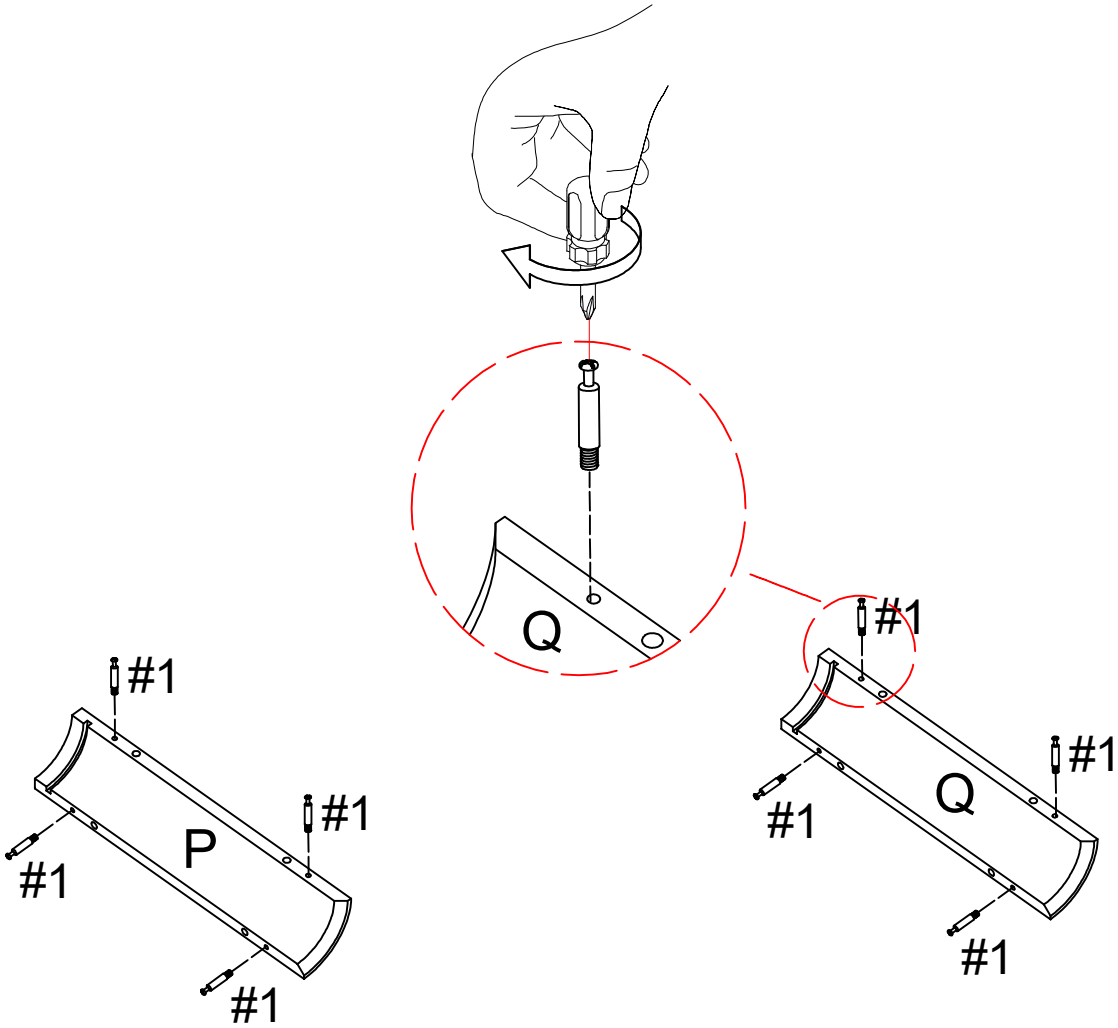
Slide in the part J & K into the groove in part C,D,E . make sure they are also in groove in part A.

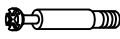
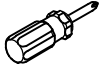


ASSEMBLY INSTRUCTIONS

STEP-7

Lock #1 to plates P and Q with screwdriver #24.

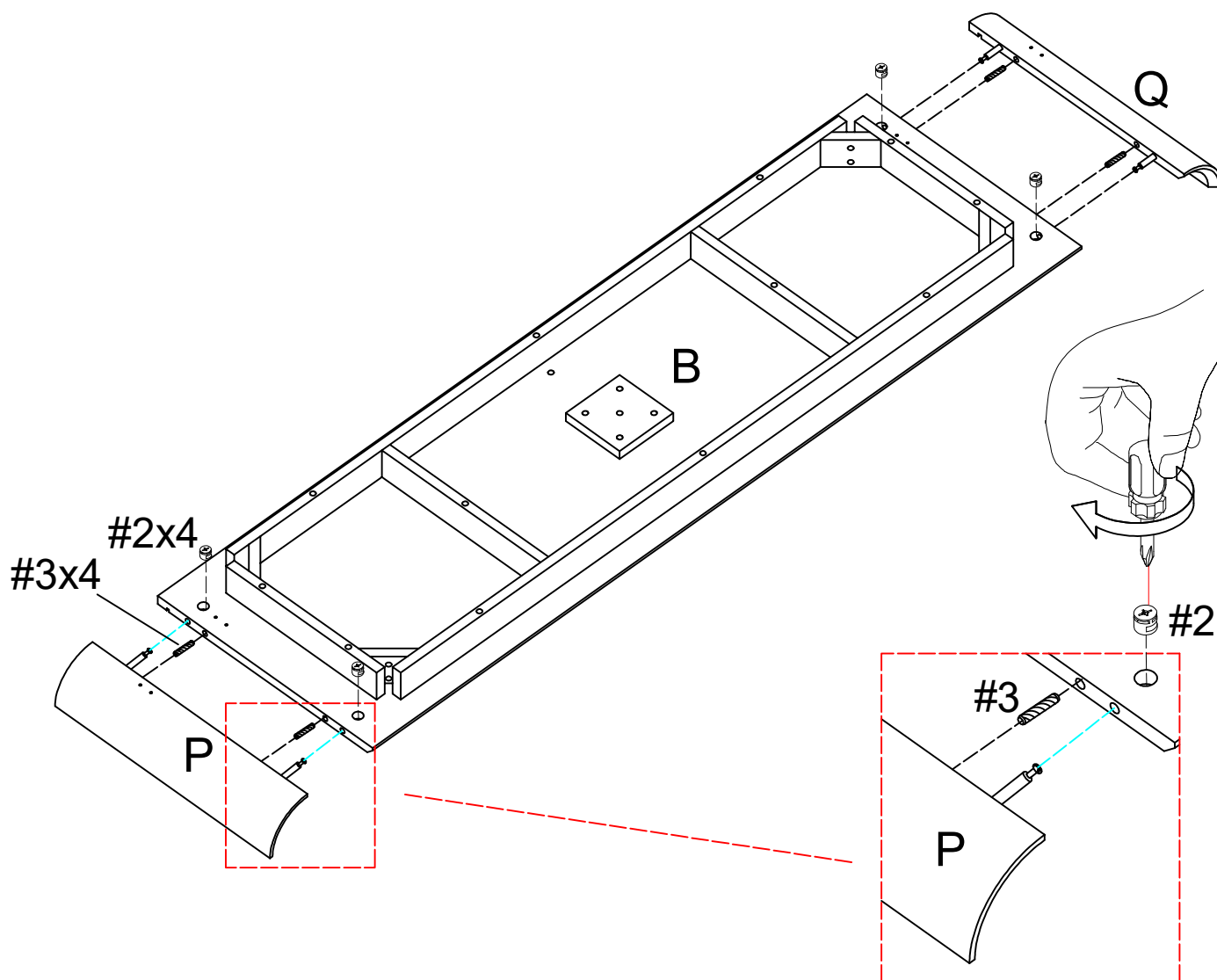





#1	X8	#24	X1
			
M6x35mm			

ASSEMBLY INSTRUCTIONS

STEP-8

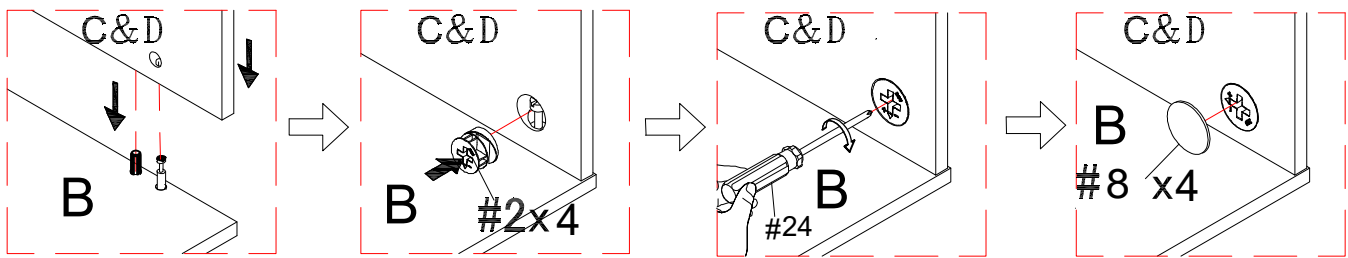
Attach the part P and Q to the part B with the wooden dowel #3 and attach the bolt #2 to the part B by screwdriver #24.



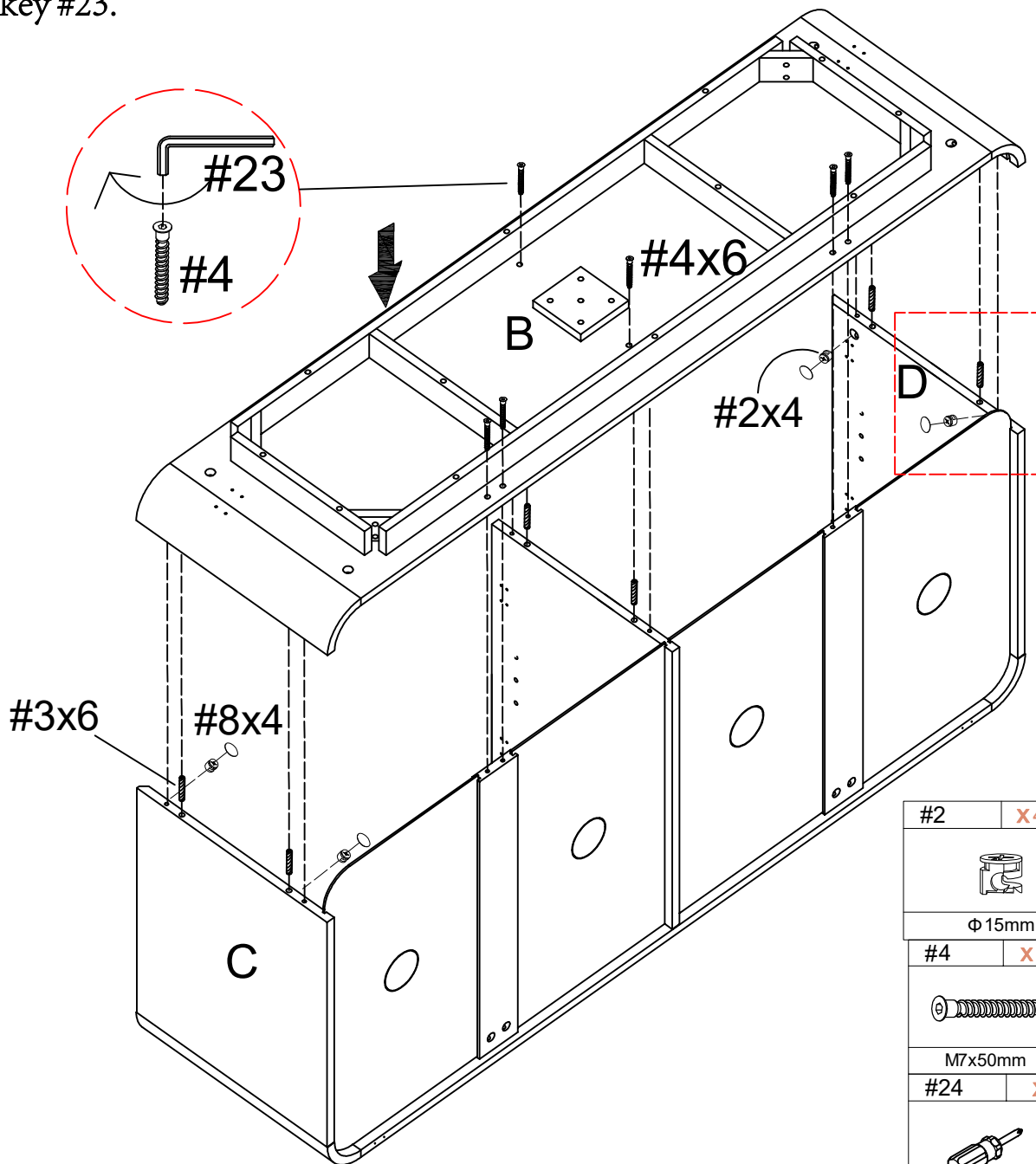
#2	x4	#3	x4	#24	x1
					
Φ15mm		Φ8x30mm			





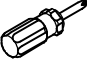
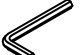
ASSEMBLY INSTRUCTIONS

STEP-9



Insert the wooden dowel #3 into the part C,D,E and connect the part B with the wooden dowel #3 and the bolt #4 by allen key #23.

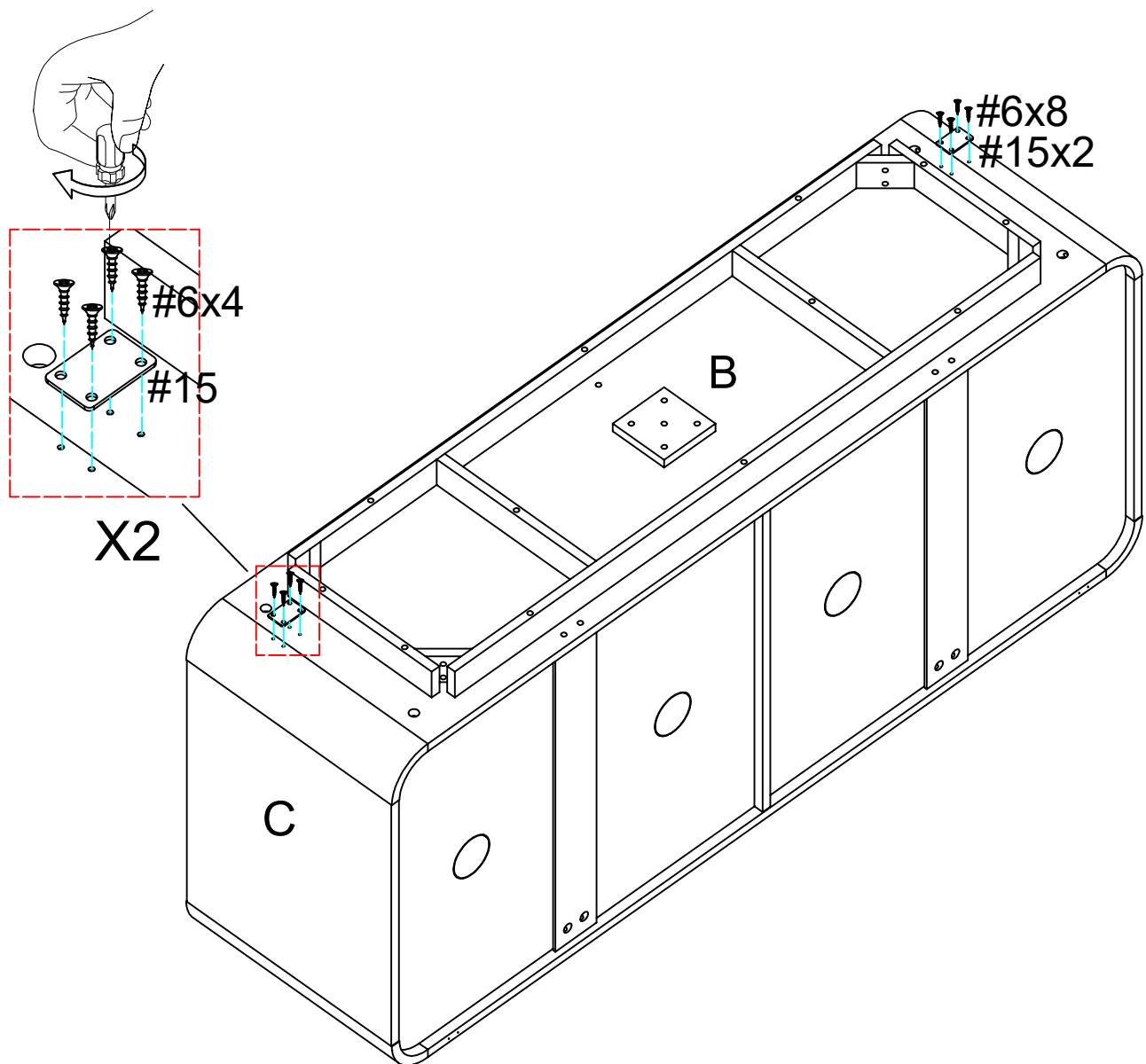



#2	x4	#3	x6
			
Φ 15mm		Φ 8x30mm	
#4	x6	#8	x4
			
M7x50mm		Φ 20	
#24	x1	#23	x1
			
		4#	


ASSEMBLY INSTRUCTIONS


STEP-10

Lock the bolt #6 through the part #15 on the part B



#6	X8
	
M3.5x14mm	

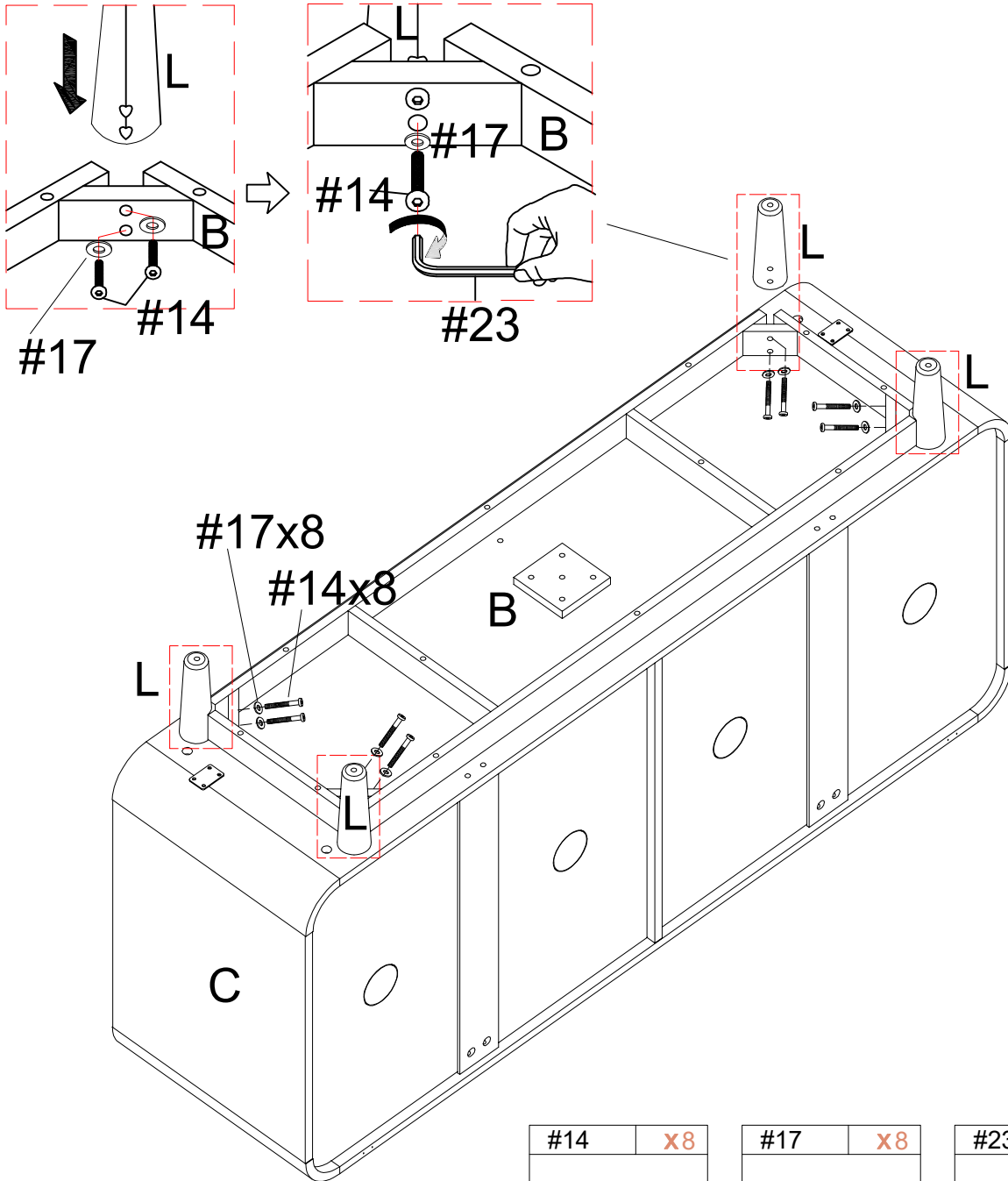
#15	X2
	


#24	X1
	


ASSEMBLY INSTRUCTIONS

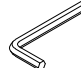
STEP-11

Use bolt #17 & 14 to attach leg(L) to part (B), make sure all holes aligned and tighten bolt #17 & 14 with allen key #23



#14	x8
	
M6x60mm	

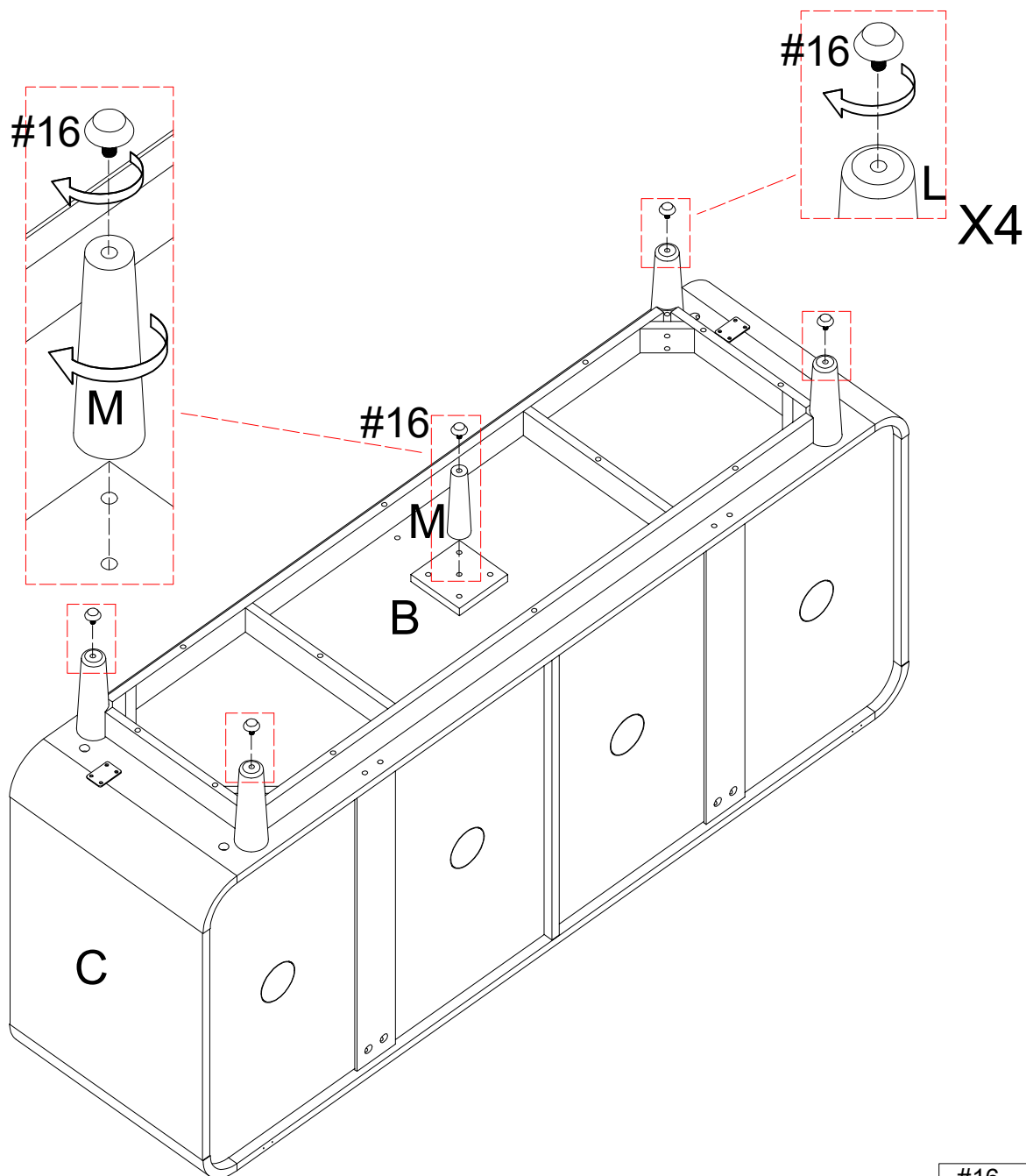
#17	x8
	
Ø16xØ8mm	


#23	x1
	
4#	

ASSEMBLY INSTRUCTIONS

STEP-12

Rotate pad #16 onto the leg #M and rotate leg #M into the part #B

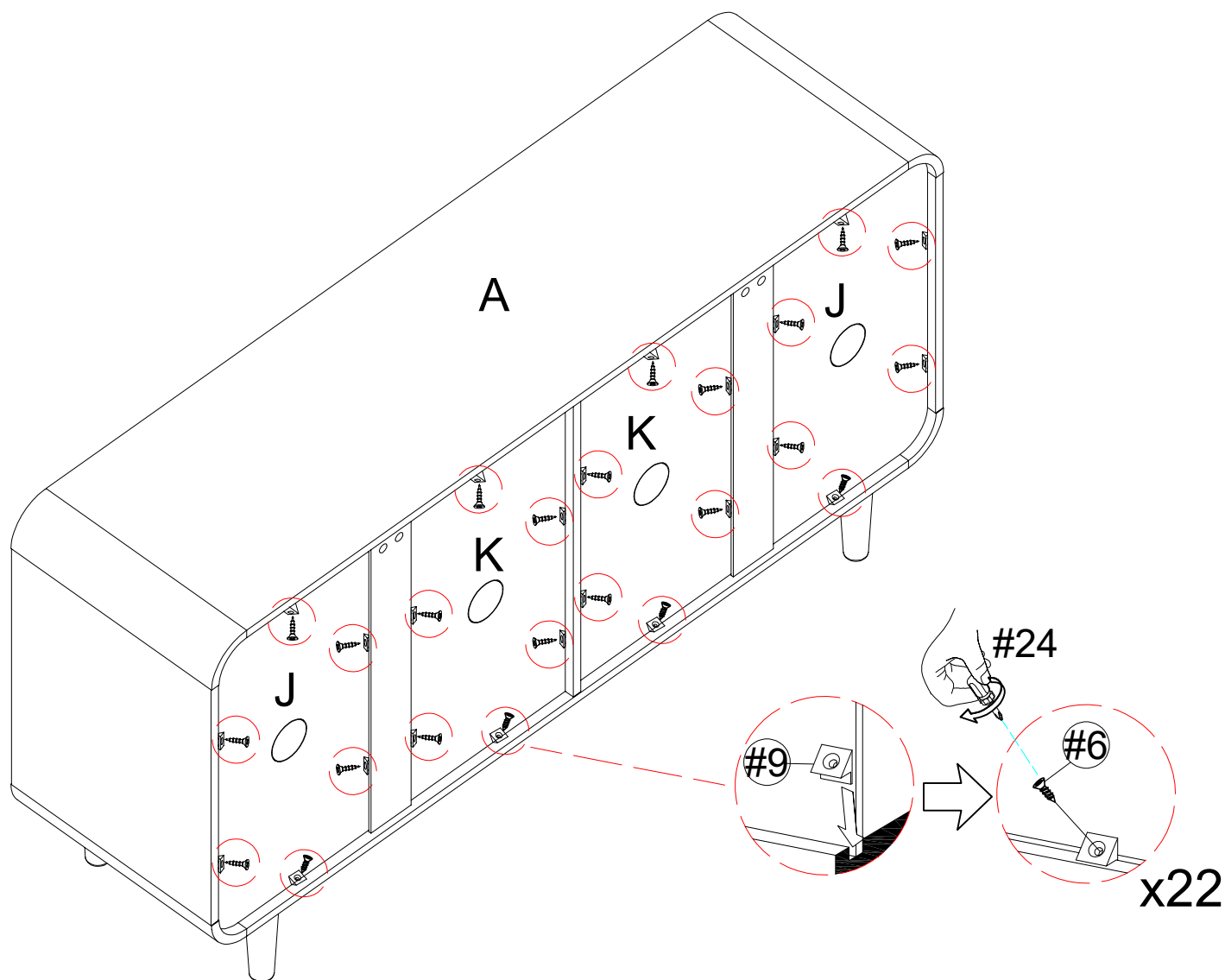




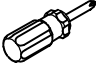
#16	X5
	
M6x20mm	

ASSEMBLY INSTRUCTIONS

STEP-13

Use screw #6 to attach part #9 to panel #A
#A tighten screw #6 with screwdriver #24.

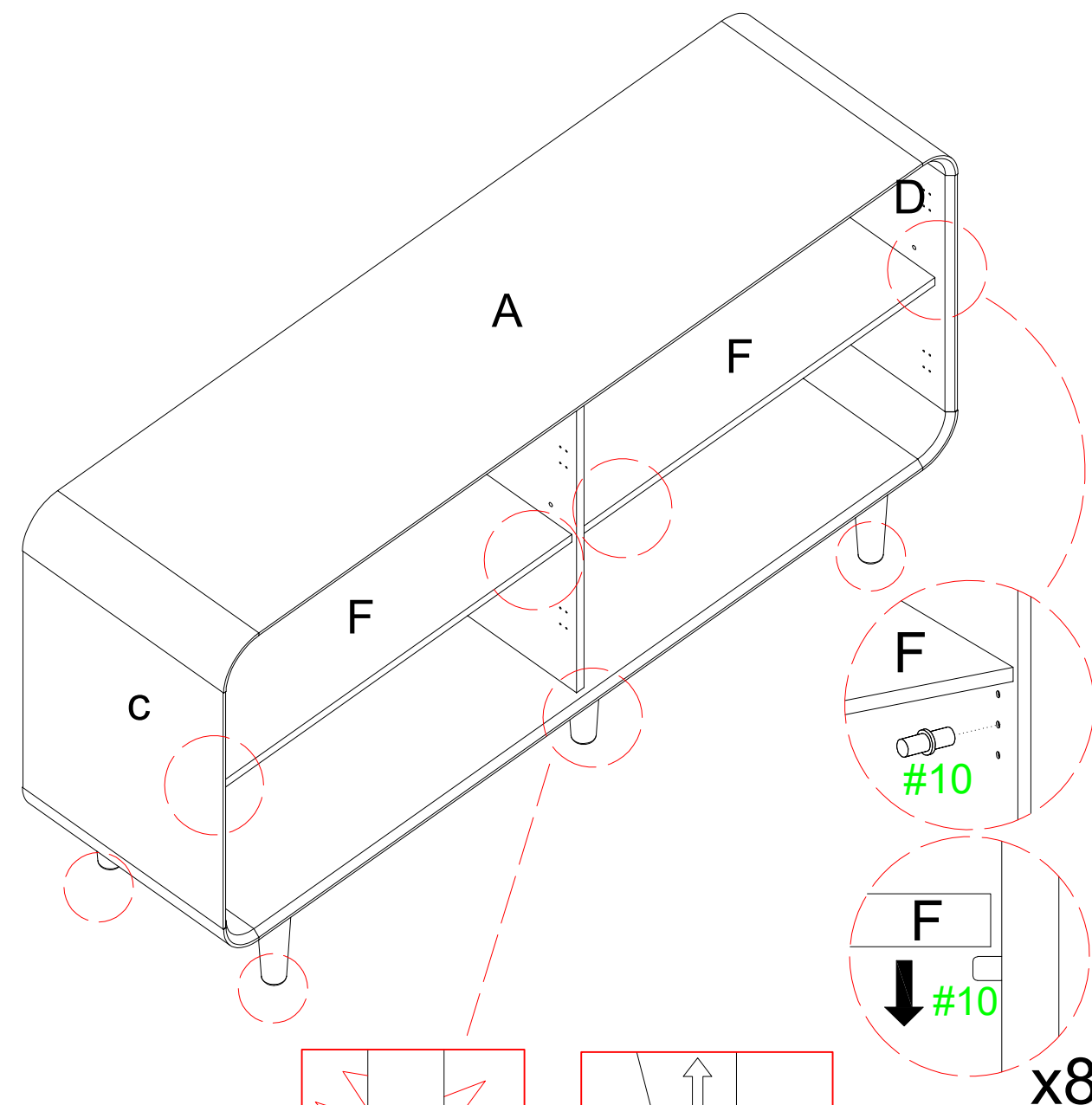


#6	X 22	#9	X 22	#24	X 1
					
M3.5x14mm		14x14x9mm			

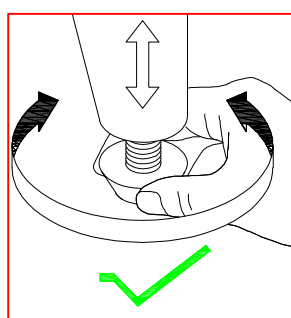
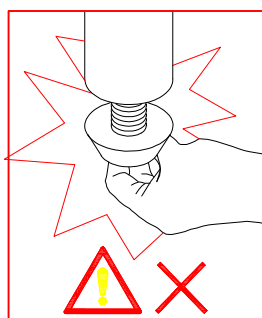
ASSEMBLY INSTRUCTIONS

STEP-14

Insert shelf pin #10 into pre-assemble unit at step 13 .attach adjustable shelf F to pin #10.



Attention
Before the next step adjust the feet of the locker to keep it level.



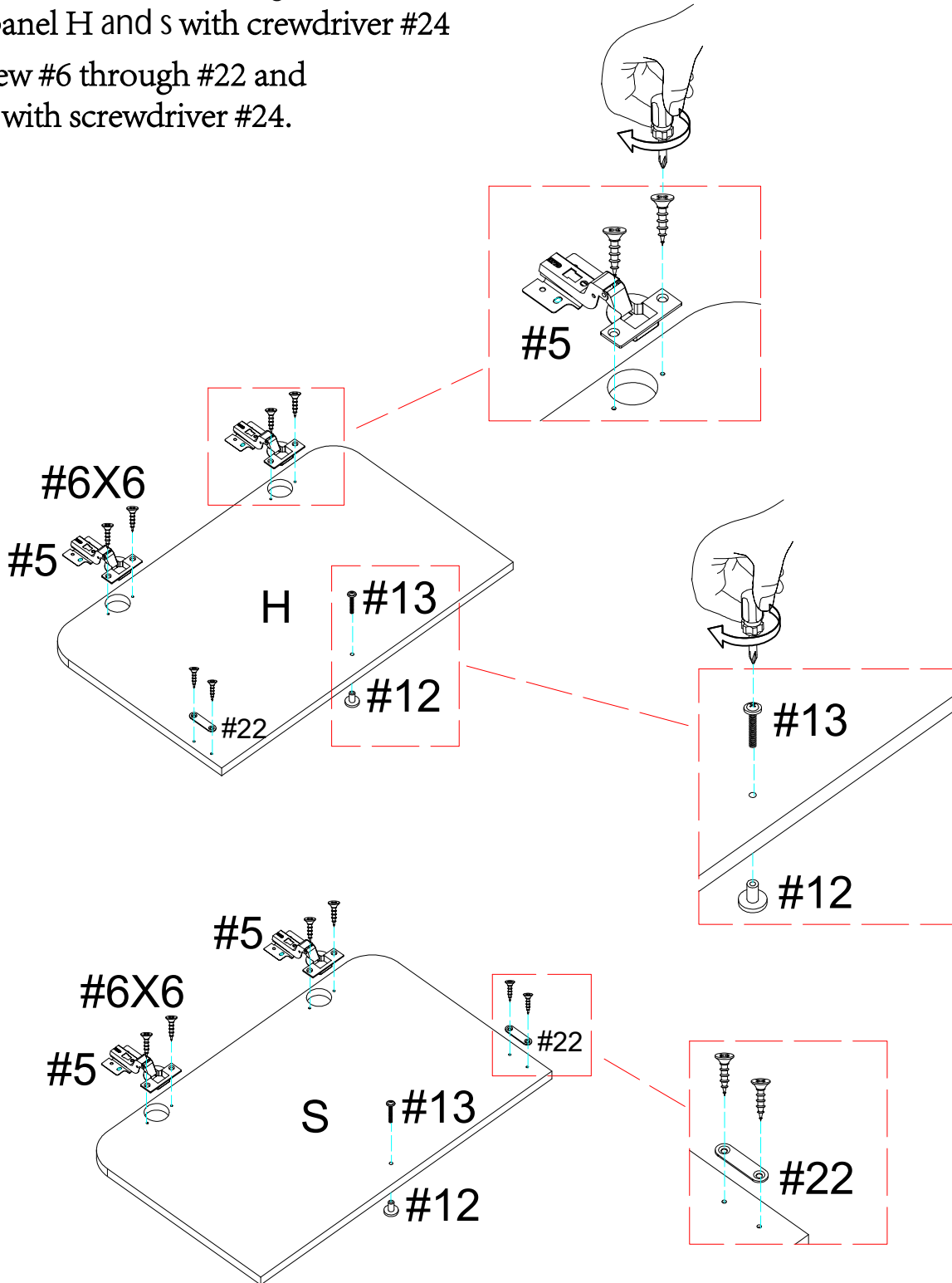
#10	x8
Ø5mm	

ASSEMBLY INSTRUCTIONS

STEP-15

1. Use screw #6 to attach the hinges #5 to door panel H and S with screwdriver #24 and align holes to connect #12 and #13 on panel H and S with screwdriver #24

Pass screw #6 through #22 and secure it with screwdriver #24.



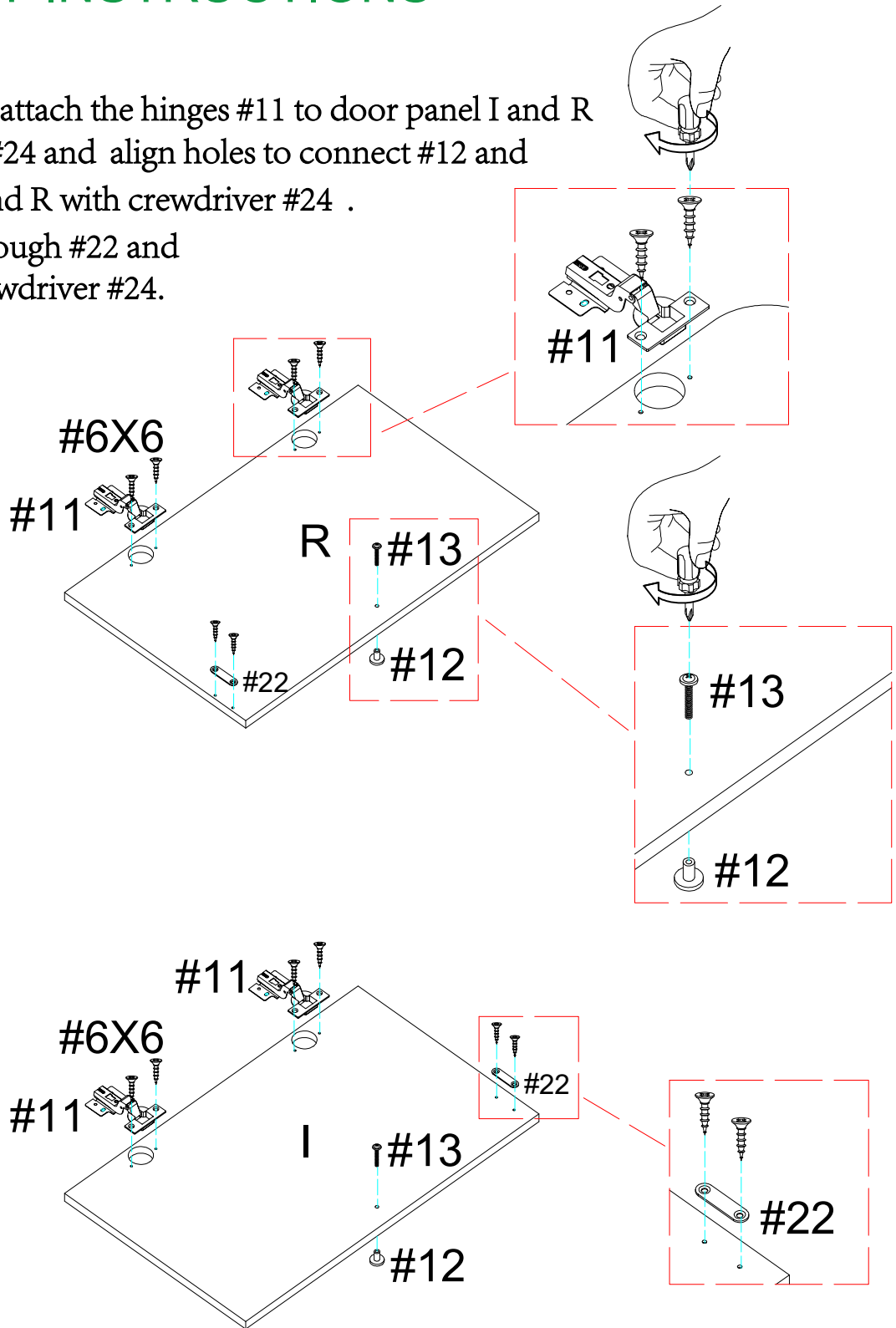
#5	x4	#6	x12	#12	x2	#13	x2	#22	x2	#24	x1
Large Curved		M3.5x14mm		Pull handle		M4x18mm					

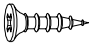
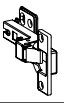


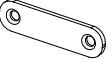
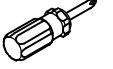
ASSEMBLY INSTRUCTIONS

STEP-16

1. Use screw #6 to attach the hinges #11 to door panel I and R with screwdriver #24 and align holes to connect #12 and #13 on panel I and R with crewdriver #24 .

Pass screw #6 through #22 and secure it with screwdriver #24.

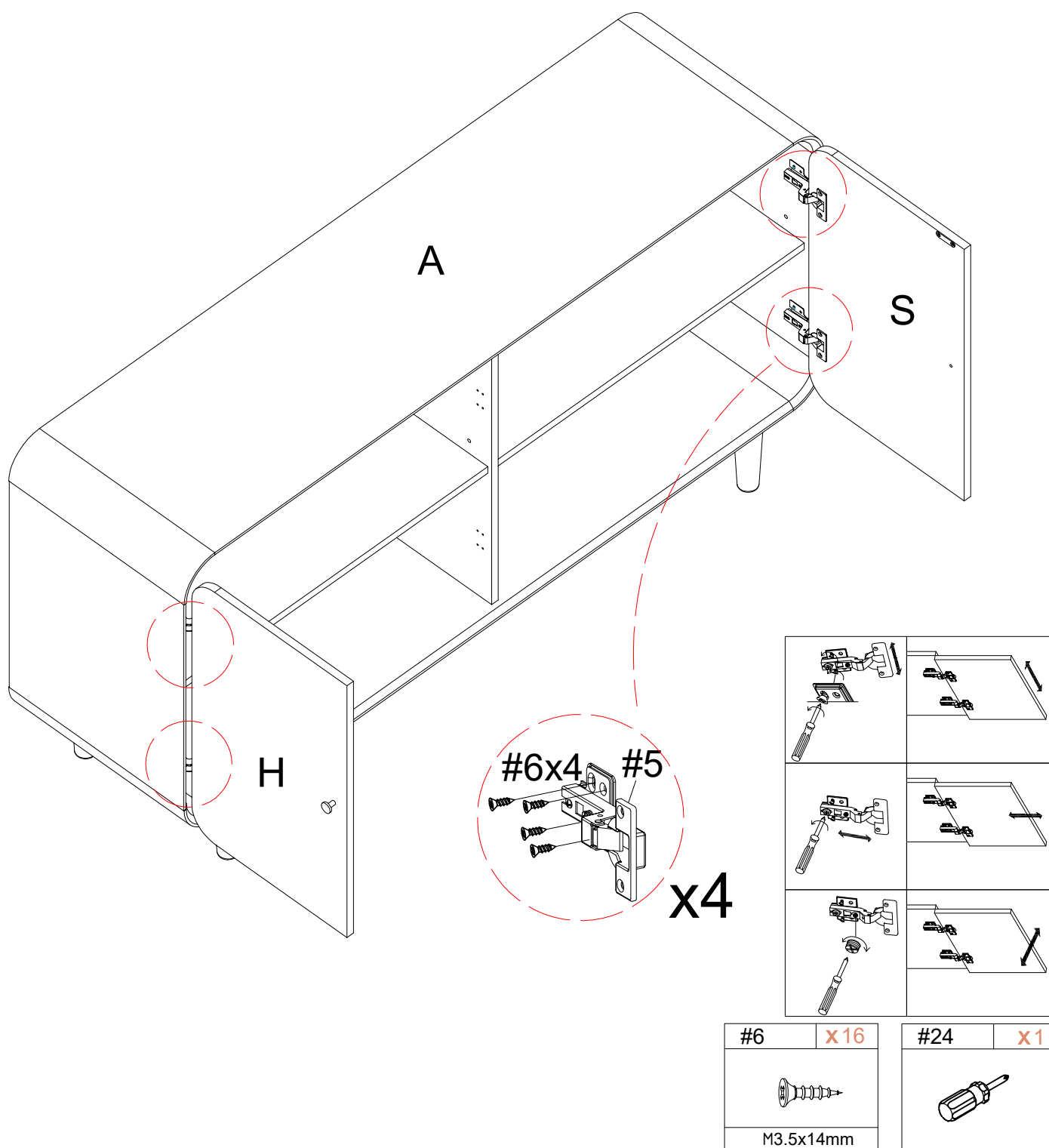


#6	X12	#11	X4	#12	X2	#13	X2	#22	X2	#24	X1
											
M3.5x14mm		Small Curved		Pull handle		M4x18mm					

ASSEMBLY INSTRUCTIONS

STEP-17

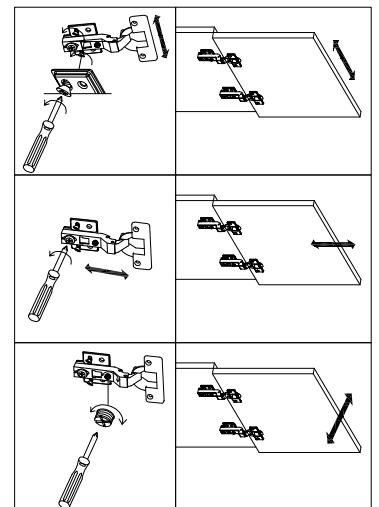
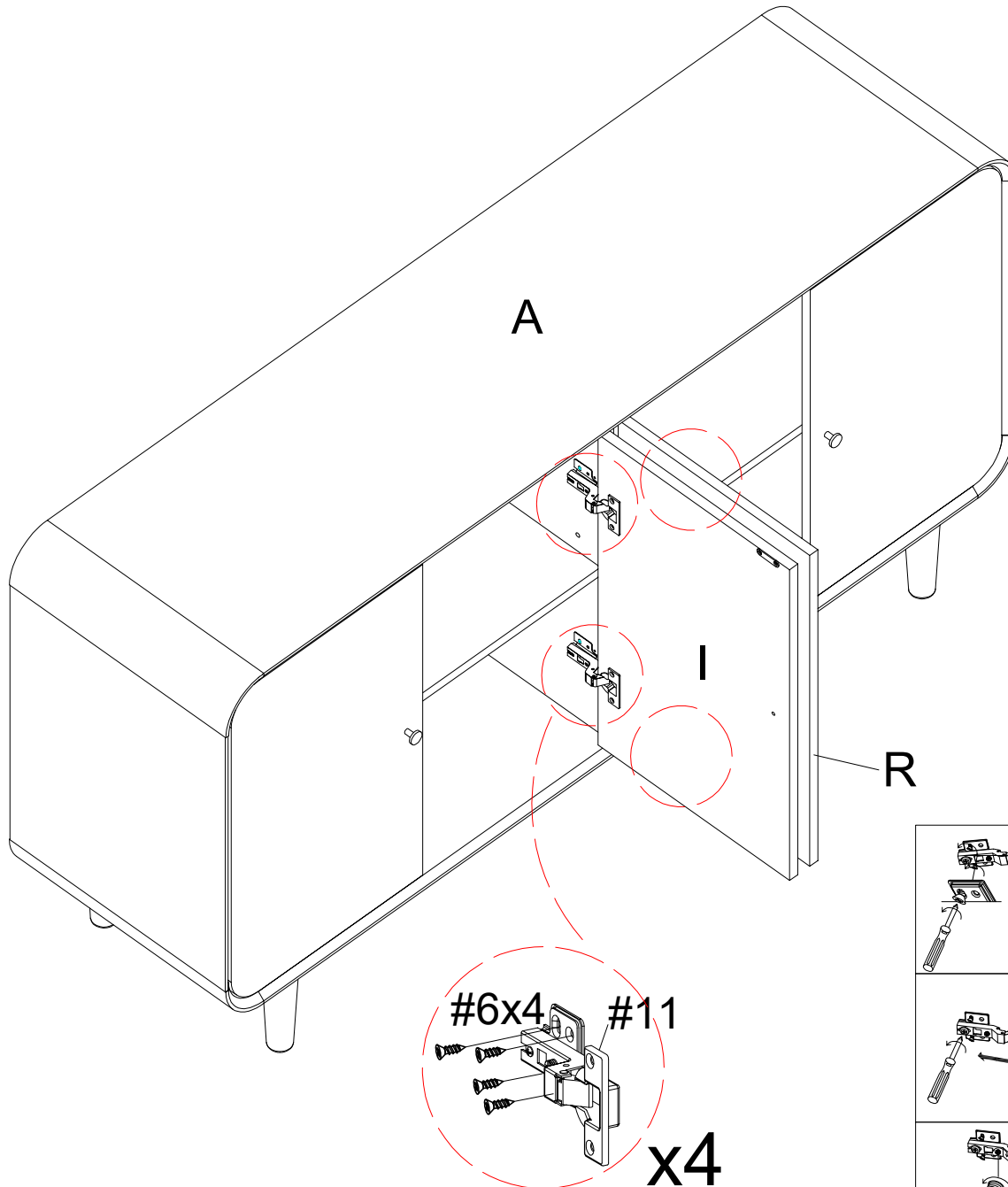
Use screw #6 to attach middle door (H and S) to pre-assemble unit at step 14, tighten screw #6 with screwdriver #24.

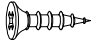


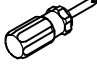
ASSEMBLY INSTRUCTIONS

STEP-18

Use screw #6 to attach middle door (I and R) to pre-assemble unit at step 17, tighten screw #6 with screwdriver #24.



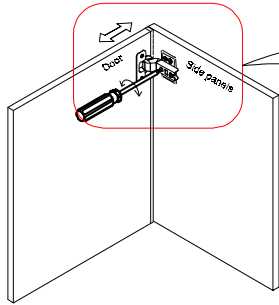
#6	x16
	
M3.5x14mm	

#24	x1
	

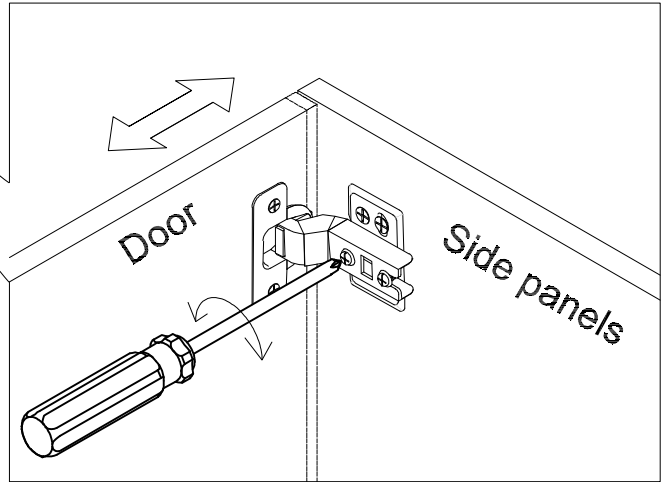
ASSEMBLY INSTRUCTIONS

STEP-19

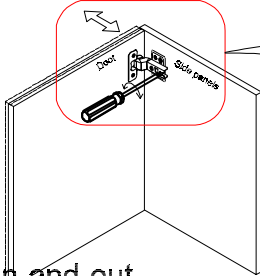
Concealed hinges are three-way adjustable



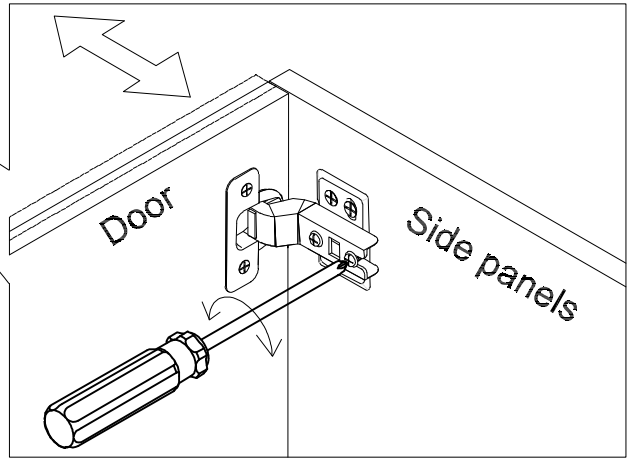
Horizontal
by screw adjustment!



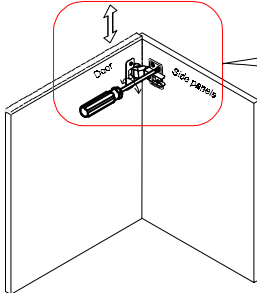
Concealed hinges are three-way adjustable



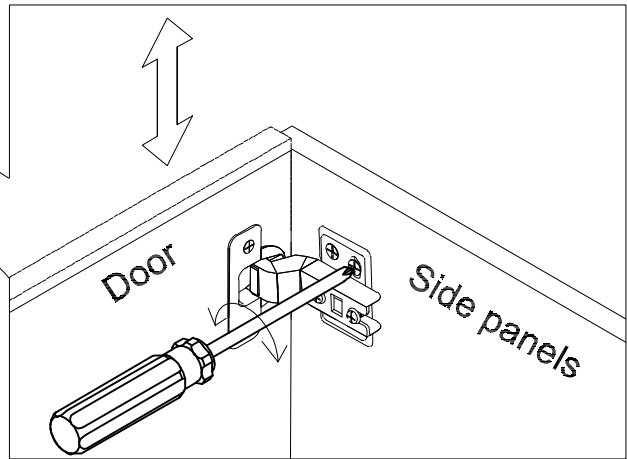
In-and-out
by loosening the hinge arm
mounting screw or via cam
adjustment!



Concealed hinges are three-way adjustable



Vertical via slots in
the mounting plate
or via cam adjustment!

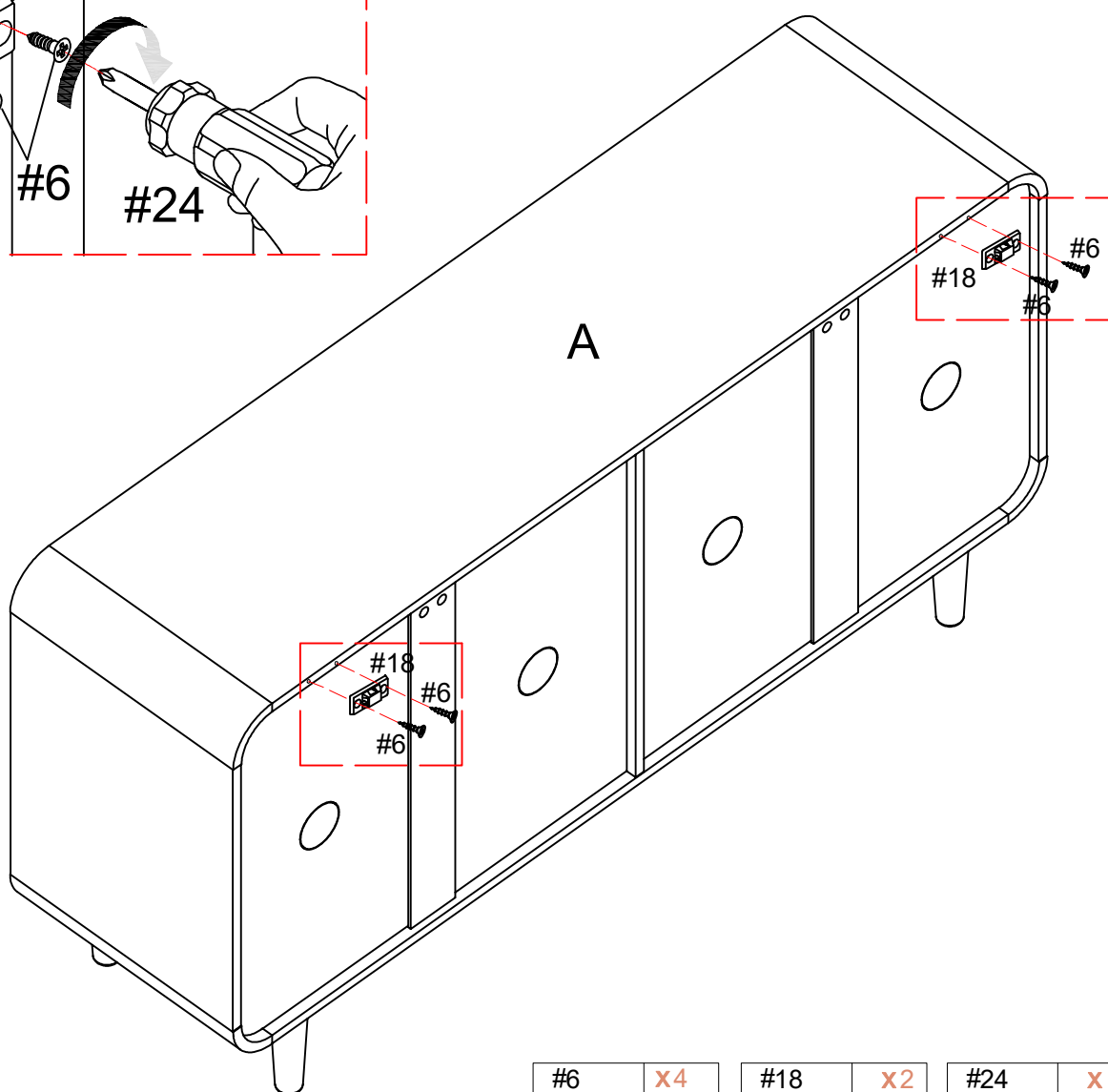
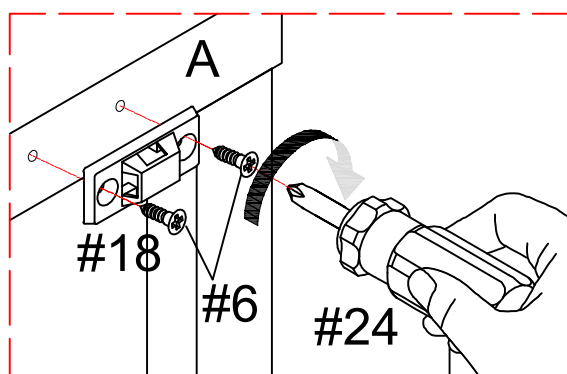


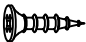


Hinge adjustment method

ASSEMBLY INSTRUCTIONS

STEP-20

Use screw #6 to attach part #18 to top panel (A), tighten screw #6 with screwdriver #24



#6	X4	#18	X2	#24	X1
					
M3.5x14mm					

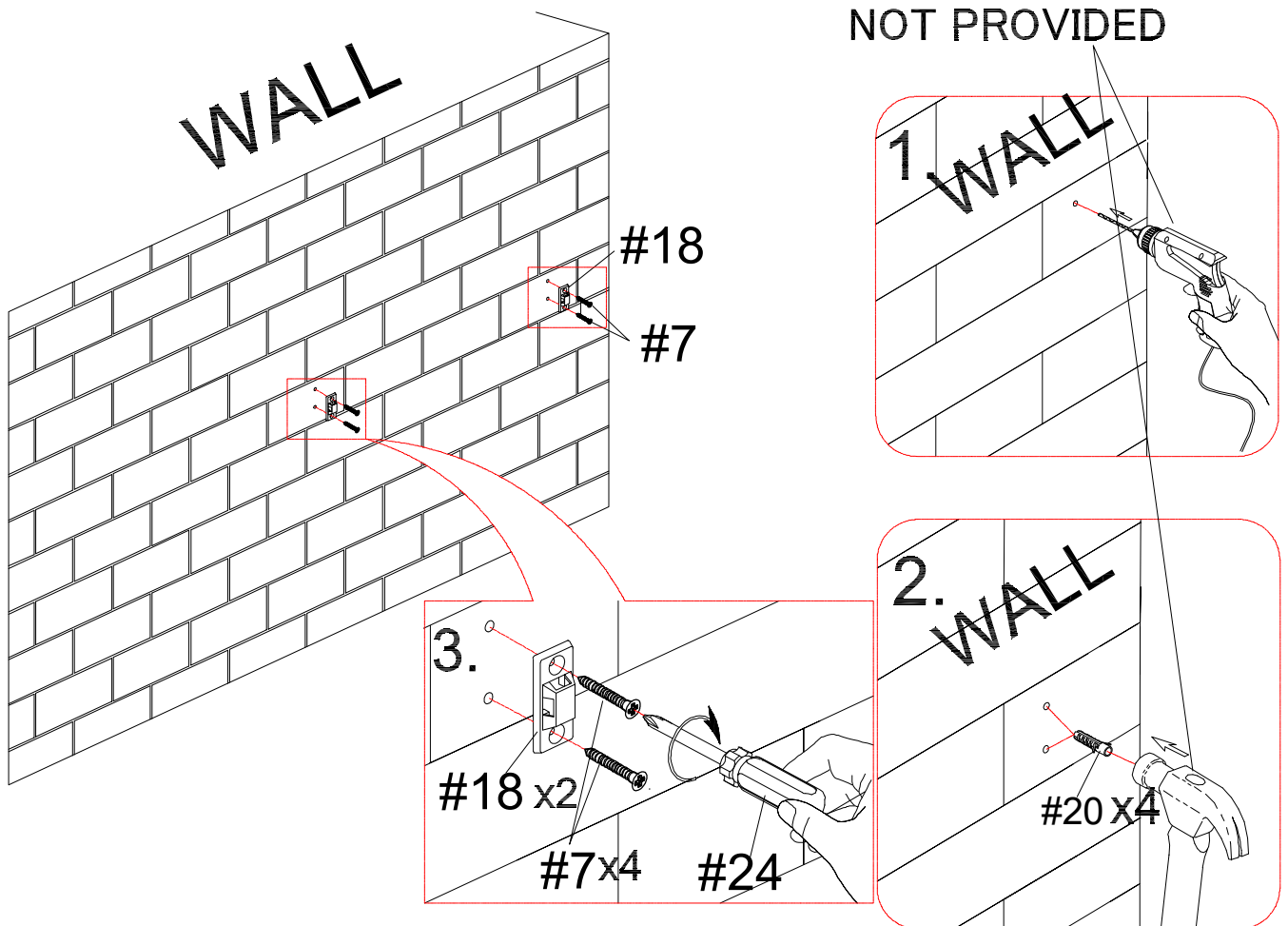
ASSEMBLY INSTRUCTIONS

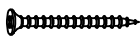
STEP-21


Install the anti-collapse device


Mark the position on the wall, that corresponds to the location of part #18 on the top panel (A); Drill and insert the expandable screw #20 by hammer.


Assemble the part #18 to the wall. Align the hole in the part #18 with the expandable screw #7, use screw #20 to attach it and tighten by screwdriver #24



#7	X4
	
M4x35mm	

#18	X2
	

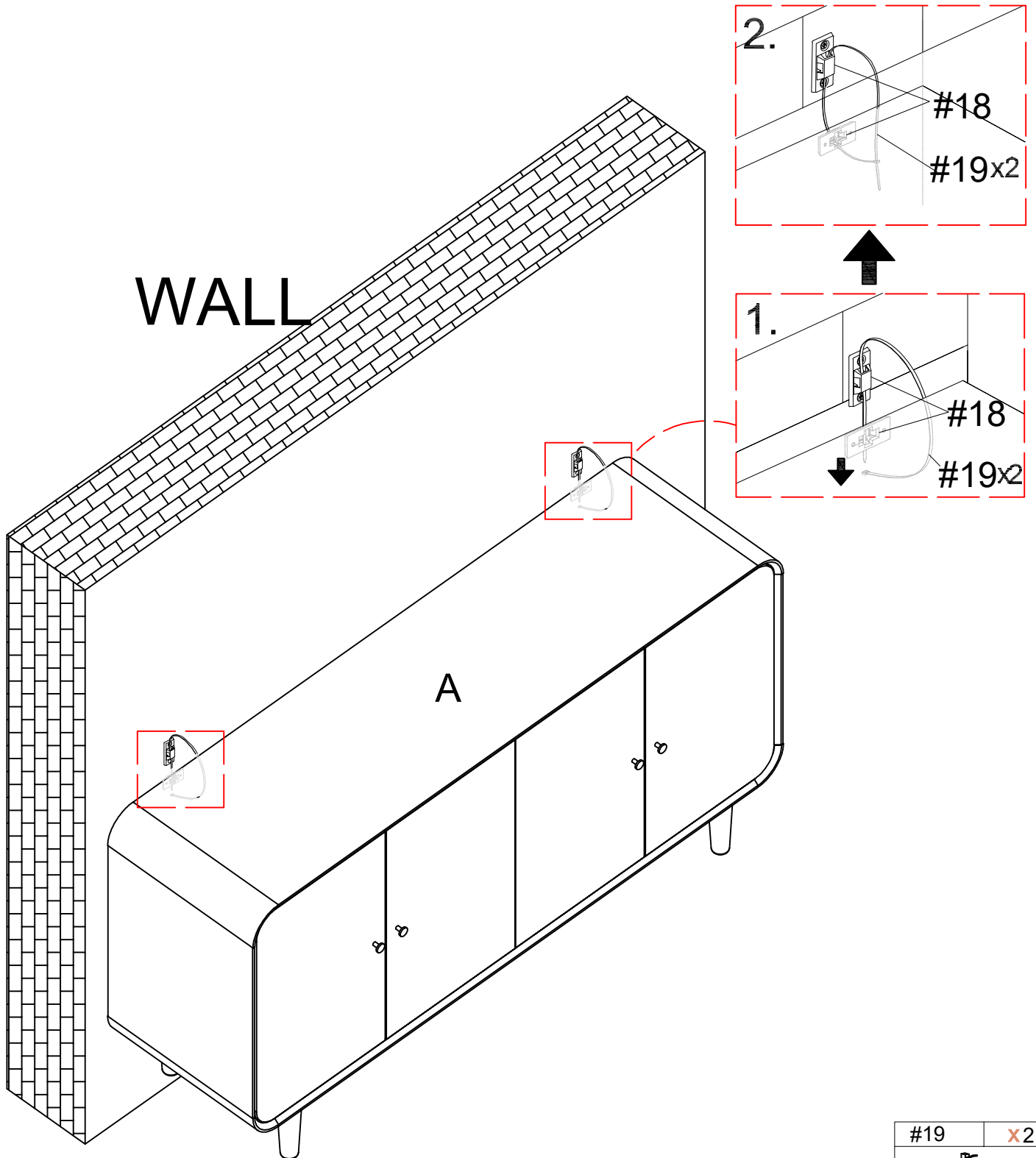
#20	X4
	

#24	X1
	

ASSEMBLY INSTRUCTIONS

STEP-22

Let the plastic belt #19 pass through the both part #18 and pull tightly



#19	x2

WARRANTY

1. We strive to offer high-quality products, and we also try our best to satisfy each and every customer that orders from us with product or service as needed.
2. We provide 30 days warranty starting from the time you receive the item. Each customer must provide a record of their order such as the order number, or item receipt for any items that are out of the warranty period you may also still receive.
3. Replacement parts by purchasing them with our company if they are available.