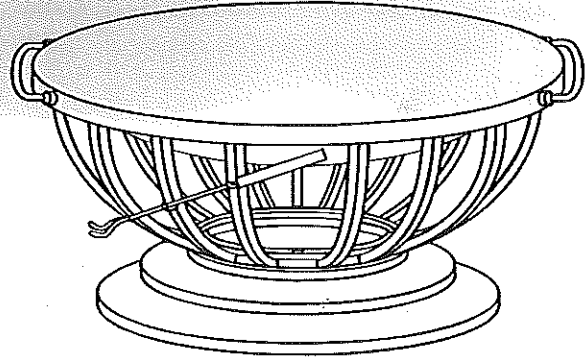
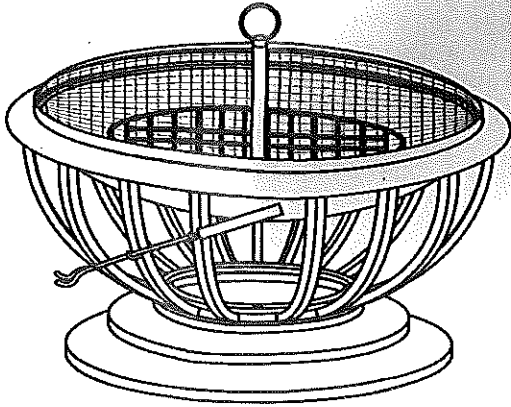


# OWNER'S MANUAL

Artisan Fire Pit

Item No. 545563



## **WARNING**

**FOR YOUR SAFETY**

For Outdoor Use Only



## **WARNING**

**FOR YOUR SAFETY**

1. Read the assembly, operation, and maintenance instructions carefully before installing this Fire Pit.
2. Incorrect assembly, operation, alteration, or maintenance may cause severe injury or property damage.
3. Failure to follow the safety instructions and warnings in this manual may result in uncontrolled fire or explosion causing damage to property, serious bodily injury or death.

## Table of Contents

Safety Instructions.....	Page 2
Parts and Hardware List.....	Page 3
Assembly Instructions.....	Page 4
Operating Instructions.....	Page 5
Care and Maintenance.....	Page 5



## **READ THIS INFORMATION BEFORE PROCEEDING**

Please read this manual carefully before setting up your Artisan Fire Pit. If you have any problems with your Artisan Fire Pit, please contact us first. For missing or damaged parts please call our toll free customer service line: 1-877-699-8900

# SAFETY INSTRUCTIONS



## IMPORTANT SAFETY WARNINGS

READ ALL SAFETY WARNINGS AND INSTRUCTIONS CAREFULLY  
BEFORE ASSEMBLING AND OPERATING YOUR FIRE PIT.

FAILURE TO FOLLOW THE SAFETY INSTRUCTIONS AND WARNINGS IN THIS MANUAL MAY RESULT IN AN UNCONTROLLED FIRE OR EXPLOSION LEADING TO DAMAGE TO PROPERTY, SERIOUS BODILY INJURY OR DEATH.

## SAVE THIS MANUAL FOR FUTURE REFERENCE.

(If you are assembling this unit for someone else, give this manual to him or her to for future reference)

### LOCATION WARNINGS

- FOR OUTDOOR USE ONLY
- DO NOT operate indoors or in enclosed areas or under a roof overhang.
- DO NOT use the Fire Pit for indoor heating as carbon monoxide fumes can accumulate and cause asphyxiation.
- DO NOT use the Fire Pit on wooden decks or other surfaces that could burn.
- DO NOT use Fire pit on or near automobiles, boats or other recreational vehicles.
- ALWAYS maintain a proper clearance of at least 10 feet between Fire Pit and combustible materials such as LP cylinders, trees, bushes, fences, decks, buildings, etc.
- THE Fire Pit is designed to be used only on a hard, level, noncombustible, stable surface such as concrete, stone or other solid ground which is capable of supporting the weight of the unit.  
An asphalt or blacktop surface is not a recommended location for this Fire Pit.
- THIS Fire Pit must be used in accordance with all applicable local, state and Federal regulations and guidelines.  
Please contact your local fire department for details about outdoor burning restrictions in your area.

### USE WARNINGS

- DO NOT use the Fire Pit unless completely assembled and all bolts are securely tightened.
- DO NOT allow children to use this Fire Pit.
- DO NOT use where children and pets can access Fire Pit.
- DO NOT leave Fire Pit unattended while in use or while hot.
- DO NOT attempt to move Fire Pit when in use or when it contains hot coals or ashes.
- DO NOT use Fire Pit near flammable liquids or where flammable vapors may be present.
- DO NOT wear flammable or loose clothing around Fire Pit when in use.
- DO NOT use in windy conditions.
- DO NOT sit on or lean against the edge of the Fire pit.
- DO NOT use the Fire Pit unless the spark guard is securely in place.
- DO NOT use the Fire Pit for burning with Tray Top in place.
- DO NOT attempt to extinguish fire, coals or ashes with the Tray Top in place.
- DO NOT extinguish using a garden hose or other water source.
- EXTINGUISH using sand or allow coal and ash to burn out under adult supervision.
- NEVER leave hot coals or ashes unattended in the Fire Pit.
- ALL surfaces of the Fire Pit remain hot when in use.
- AVOID BURNS, ALWAYS use heat resistant oven mitts or gloves when handling fork or spark guard.
- KEEP a fire extinguisher on hand. Contact your Fire Department for recommend size and type.
- NOT intended for commercial use.
- ADULT supervision is required when Fire Pit is in use or when still hot.

### FUEL WARNINGS

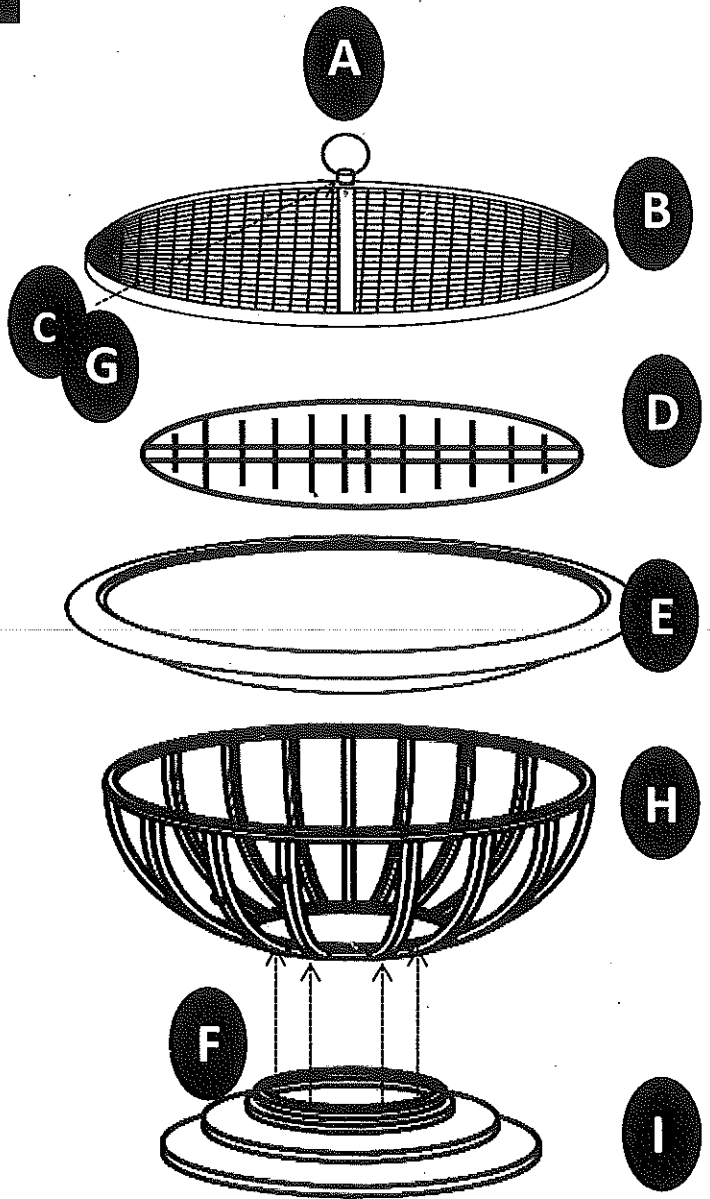
- DO NOT use gasoline, kerosene, alcohol or similar fuels for lighting or re-lighting wood or charcoal.  
The use of these or similar fuels may cause an explosion resulting in severe bodily injury.
- DO NOT add charcoal lighting fluid, gasoline, kerosene, alcohol or similar fuels to burning coals as this may result in an explosion resulting in severe bodily injury.
- DO NOT store gasoline, LP cylinders or other flammable liquids near Fire Pit.
- DO NOT use ANY material other than wood, charcoal, or manufactured logs as your fuel source.
- DO NOT use wood logs over 18 inches in length.
- DRIED and seasoned hardwood is recommend for hotter burning and less smoke.
- AVOID wood species that tend to emit sparks such as cedar and pine.

USE CAUTION AND COMMON SENSE WHEN OPERATING YOUR OUTDOOR FIRE PIT.

# PARTS AND HARDWARE LIST

Thank you for purchasing the Artisan Fire Pit with Copper Tray Top. This page lists all the contents included in the box. Please take time to identify the hardware as well as the individual components of this product. As you unpack and prepare for assembly, place the contents on a hard level surface that does not have cracks or opening. Note: 2 people are required to safely assemble this product.

PART	PICTURE	QTY	DESCRIPTION
A		1	Handle
B		1	Spark Guard
C		1	Washer
D		1	Fire Grate
E		1	Copper Bowl
F		4	Bolts (7/16")
G		1	Bolt (5/8")
H		1	Frame
I		1	Base
J		1	Tray Top
K		1	Hex Key
L		1	Fork

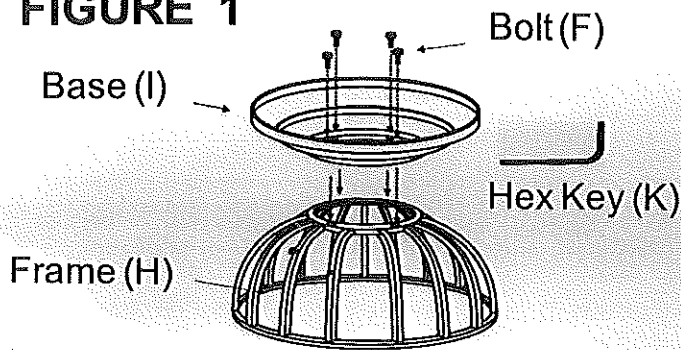


**READ ALL SAFETY WARNINGS & ASSEMBLY INSTRUCTIONS CAREFULLY BEFORE ASSEMBLING OR OPERATING YOUR FIRE PIT.**

# ASSEMBLY INSTRUCTIONS

## ASSEMBLY OF STAND

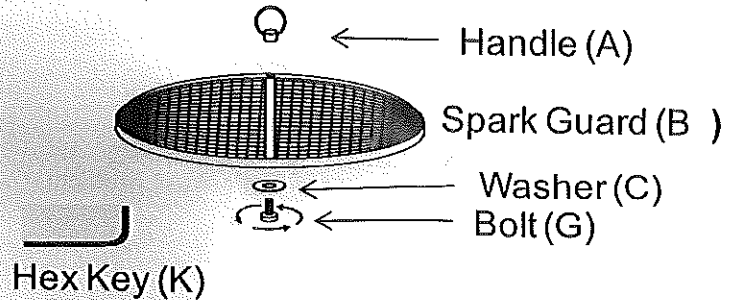
FIGURE 1



Position Frame (H) upside down as shown. With the assistance of another adult, place Base (I) on Frame (H) and align bolt holes on Base (I) with those on the Frame (H) and securing with Bolts (F) using Hex Key (K). Once all the bolts are in place, tighten all bolts securely.

## ASSEMBLY OF SPARK GUARD

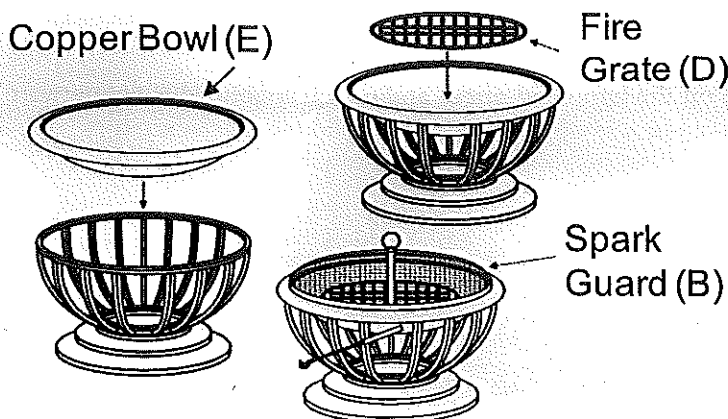
FIGURE 2



Attach Handle (A) to the Spark Guard (B) by inserting Handle (A) through the Spark Guard (B) and securing with Washer (C) and Bolt (G) using Hex Key (K). Tighten bolt securely.

## ASSEMBLY OF COPPER BOWL

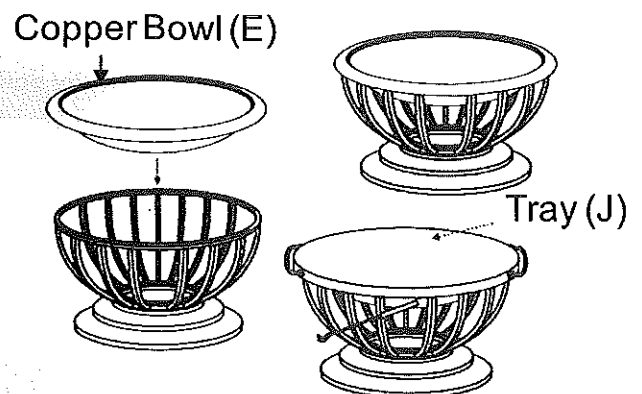
FIGURE 3



Carefully turn the assembled stand to the upright position and place the Bowl (E) on the stand. Place Fire Grate (D) in Bowl (E). Carefully place Spark Guard (B) onto outer edge of Bowl (E) as shown.

## ASSEMBLY OF TRAY TOP

FIGURE 4



Carefully turn the assembled stand to the upright position and place the Bowl (E) on the stand. Carefully place Tray Top (J) over Bowl (E) as shown.

# OPERATING INSTRUCTIONS

1. Insert the fire log grate into your empty fire bowl.
2. Prepare 3-4 sheets of newspaper, kindling or other natural fire starter and put it on top of the fire log grate.
3. Pile finely split dry firewood on top of the selected fire starter. Do not use large logs. Logs that are no larger than 18 inches in length are advised. The Fire Pit should not be loaded beyond 6 to 8 lbs.
4. Use a long match or wand-type lighter to light fire.
5. Using the fork and heat resistant gloves, place the spark guard on the fire bowl.

# CARE AND MAINTENANCE

*Please note that the surface coatings on the solid copper fire bowl and the solid copper tray are different. Please read Care Instructions carefully.*

## COPPER BOWL

Your solid copper fire bowl is shipped from the factory with a hand applied coating of coconut oil to arrest the patina process natural to copper. With use and exposure, this oil finish will wear off, and the copper will darken and patina. The patina is actually a natural protectant against corrosion; and will only add to the beauty of the copper bowl.

It is recommended that you clean the fire bowl after each use. Remove the ashes and debris after the fire has completely cooled down and extinguished. Periodically wipe the inside of the fire pit with a damp cloth to stop the buildup of soot and creosote.

If you want to polish the copper, we recommend that you use a good quality paste copper cleaner. Always follow the manufacturer's label instructions for the specific cleaner. Do not use salt and lemon, as it is possible for the abrasive nature of salt to scratch your copper.

## COPPER TRAY TOP

Your copper table top is shipped from the factory with a high quality baked on lacquer coating. Only dusting with a soft cloth and an occasional washing with lukewarm sudsy water are needed to keep lacquered items shiny. Do not polish the lacquered table top. Avoid placing/using sharp objects on the lacquered table top surface. It is recommended that the table top be stored away from the elements to maintain the lacquer finish.

### You may wish to remove the lacquer coating if:

You prefer the "old copper" look, and want your piece to develop a patina (the warm brown color seen in aged, unpolished copper).

The lacquer coating has become damaged from use.

Small specks of tarnish are appearing UNDER the lacquer coating that cannot be removed with copper polish.

Removing the lacquer will enable you to easily polish off the tarnished spots and/or will enable your copperware to develop a more even patina in much less time than if you leave the lacquer on. Once lacquer coating is removed, if shiny copper finish is desired, follow cleaning instructions for copper bowl (above).

### How to remove the lacquer coating:

If desired, the lacquer coating on tray top can be removed with lacquer thinner. Please follow manufacturer label instructions.

### How to replace the lacquer coating:

Purchase lacquer product made for metal/outdoor use. Please follow manufacturer label instructions.

## SPARK GUARD, BOWL STAND AND FORK:

Wipe or brush off the mesh screen after use. Wipe down bowl stand and fork with damp cloth as needed. As with any burning appliance, periodic maintenance is required to return painted surfaces to original appearance. If rust appears on the painted surfaces, use sandpaper or a steel brush to remove loose particles and re-coat with paint intended for high-temperature surfaces. Select paint suitable for outdoor grill maintenance and follow directions on the paint label.

Check spark guard often for wear and deterioration. If necessary, purchase replacement spark guard.