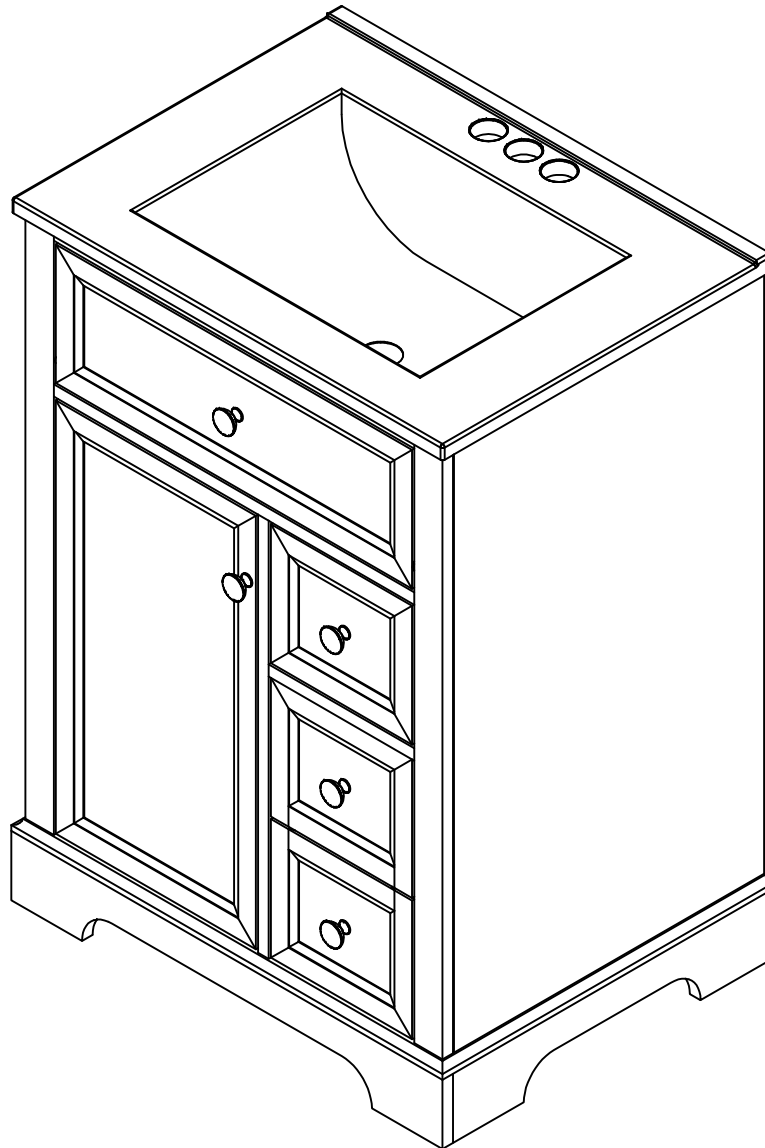

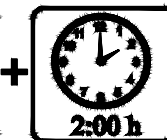
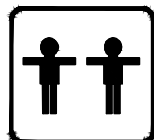


Installation & Assembly



Thank you for purchasing this quality product. Be sure to check all part material carefully for small parts which may have come loose inside carton during shipment. Separate, identify and count all parts and hardware. Compare with the parts list to be sure all parts are present, "DO NOT TIGHTEN SCREWS UNTIL COMPLETELY ASSEMBLED"


*Use of power tool to assemble this product will invalidate any claim and damage this product making unsafe!!!
*Please assemble on a clean soft surface to avoid damage.



Tools Required



(Not Included)

IMPORTANT
PLEASE READ INSTRUCTION BEFORE STARTING THE ASSEMBLY

Before Installation

Important - Please read these instructions fully before starting assembly

Thank you for purchasing this quality product. Be sure to check all packing materials carefully for small parts, which may have come loose inside the carton during shipment. Identify and count all items according to the PARTS LIST and/or HARDWARE LIST shown below. Check you have all the components and tools listed on the following pages.

. We recommend that you assemble this product with the assistance of another person; this will make the assembly easier, and will help eliminate damage to the product or injury to persons during assembly.

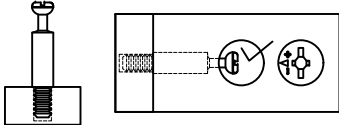
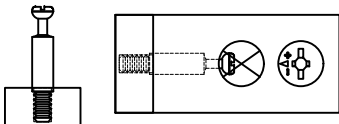
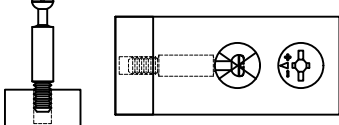
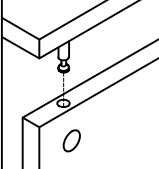
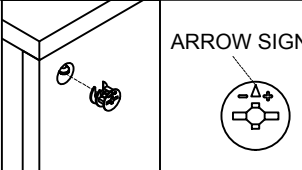
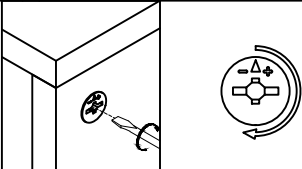
. Please do not over tighten screws or bolts until the assembly is completed.

. Keep children and animal away from the work area, small parts could choke if swallowed.

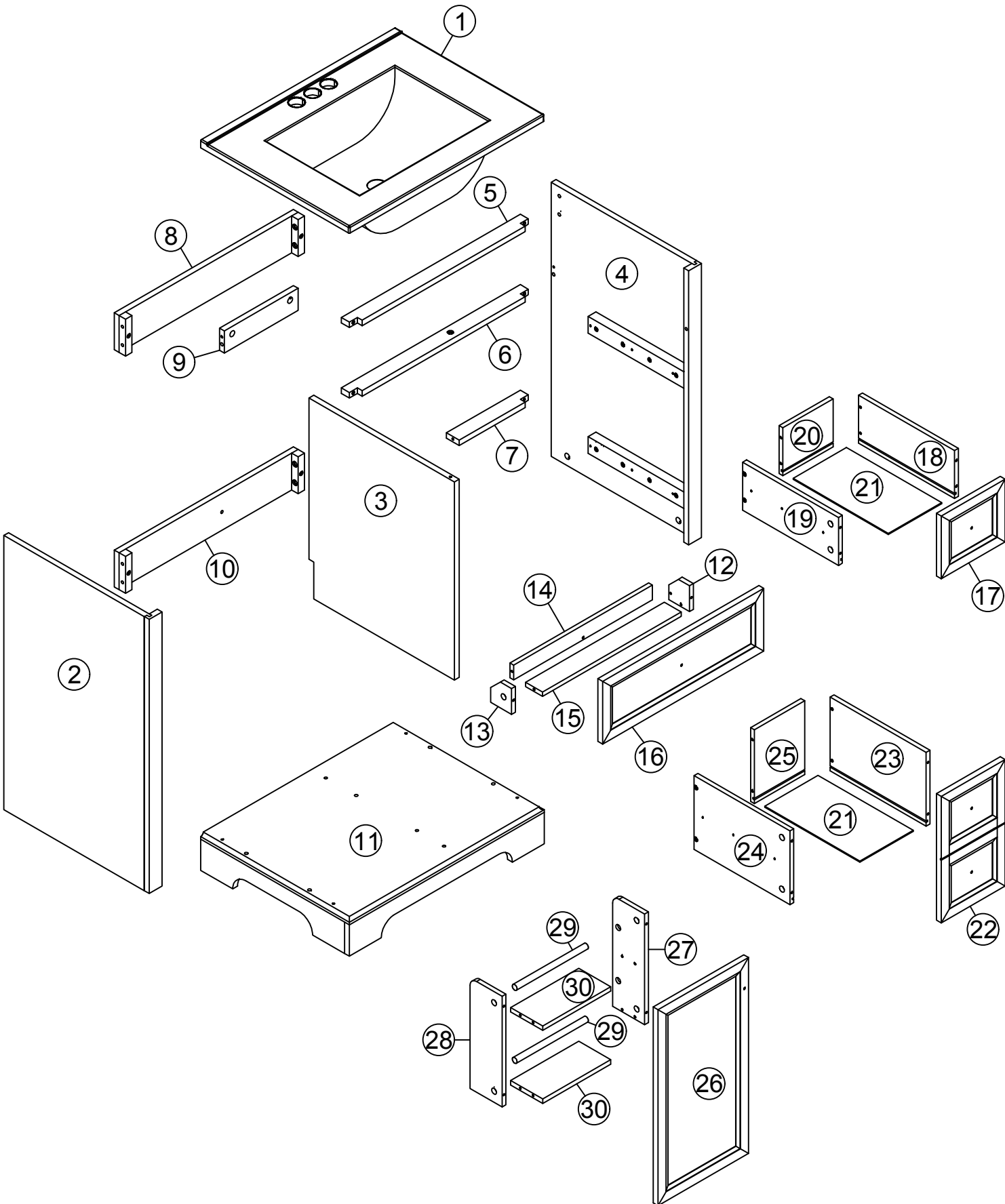
. Please put all parts on a non-abrasive floor before assembly, and follow the assembly steps to assemble your newly purchased product correctly and efficiently.

If you find that you have any trouble with assembly or missing or damaged parts please contact the seller.

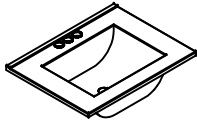
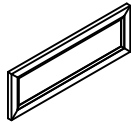

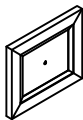
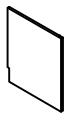
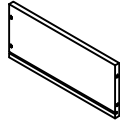
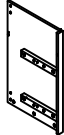
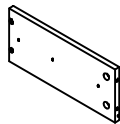

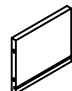
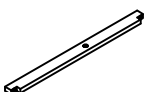
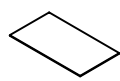

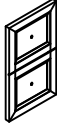
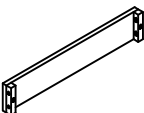
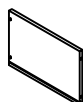

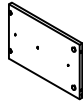
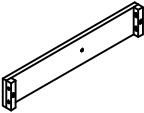
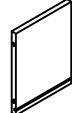
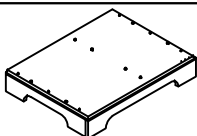





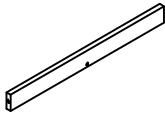
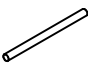
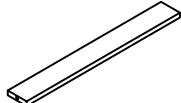
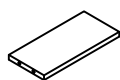
Cam Lock Assembly Instructions

	Insert Cam Bolt into hole as shown in diagram A.
	Make sure not to insert the Cam Bolt too deep as shown in figure B as this will cause the Cam Lock to be misaligned and unable to interlock properly.
	Also avoid inserting the Cam Bolt too close to the surface of the hole as shown in figure C, as this will cause the Cam Lock to be too loose, and not interlock properly.
	Connect the panels together.
	ARROW SIGN Insert the Cam Lock so the side opening fits over the head of the Cam Bolt.
	To tighten the Cam Lock, turn it clockwise on half a turn with a flat screwdriver. <i>*Do not use an automatic screwdriver as it may bend or break if too much power is imposed.</i>







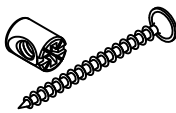





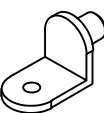


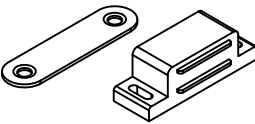


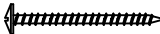
PRODUCT DETAILS



PARTS LIST

①	SINK (LAVABO)		1PC	⑩⑥	FLIP-OFF DRAWER FRONT		1PC
②	LEFT BOARD		1PC	⑩⑦	DRAWER FACE 1		1PC
③	CENTER BOARD		1PC	⑩⑧	RIGHT DRAWER SIDE 1		1PC
④	RIGHT BOARD		1PC	⑩⑨	LEFT DRAWER SIDE 1		1PC
⑤	FRONT HORIZONTAL BAR 1		1PC	⑩⑩	BACK DRAWER SIDE 1		1PC
⑥	FRONT HORIZONTAL BAR 2		1PC	⑩⑪	BOTTOM DRAWER		2PCS
⑦	FRONT HORIZONTAL BAR 3		1PC	⑩⑫	DRAWER FACE 2		1PC
⑧	BACK HORIZONTAL BAR 1		1PC	⑩⑬	RIGHT DRAWER SIDE 2		1PC
⑨	BACK HORIZONTAL BAR 2		1PC	⑩⑭	LEFT DRAWER SIDE 2		1PC
⑩	BACK HORIZONTAL BAR 3		1PC	⑩⑮	BACK DRAWER SIDE 2		1PC
⑪	BOTTOM FRAME		1PC	⑩⑯	DOOR FACE		1PC
⑫	RIGHT-TURN DRAWER SIDE		1PC	⑩⑰	RIGHT DOOR SIDE		1PC
⑬	LEFT-TURN DRAWER SIDE		1PC	⑩⑱	LEFT DOOR SIDE		1PC
⑭	BACK BOARD OF FLIP-UP DRAWER		1PC	⑩⑲	ROUND WOODEN DOOR		2PCS
⑮	FLIP-UP DRAWER BOTTOM		1PC	⑩⑳	SHELVES DOORS		2PCS

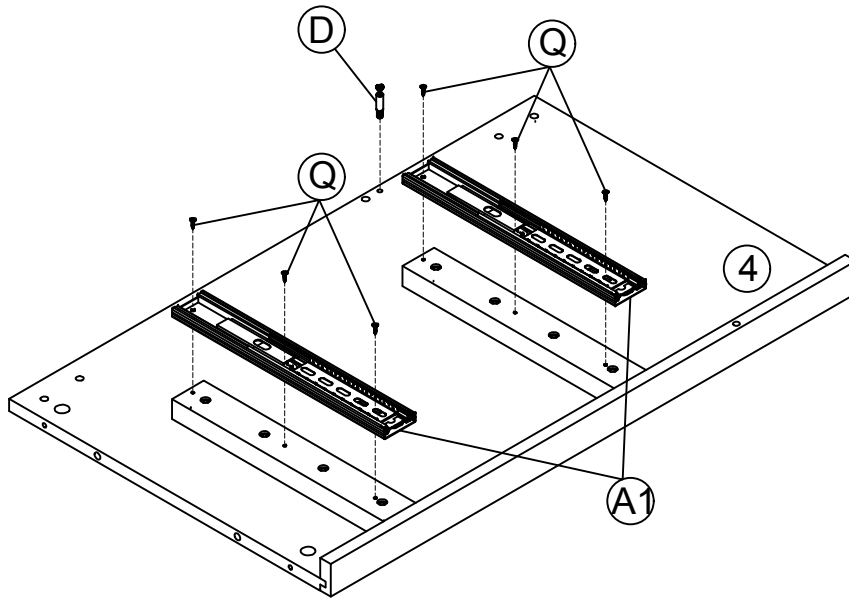
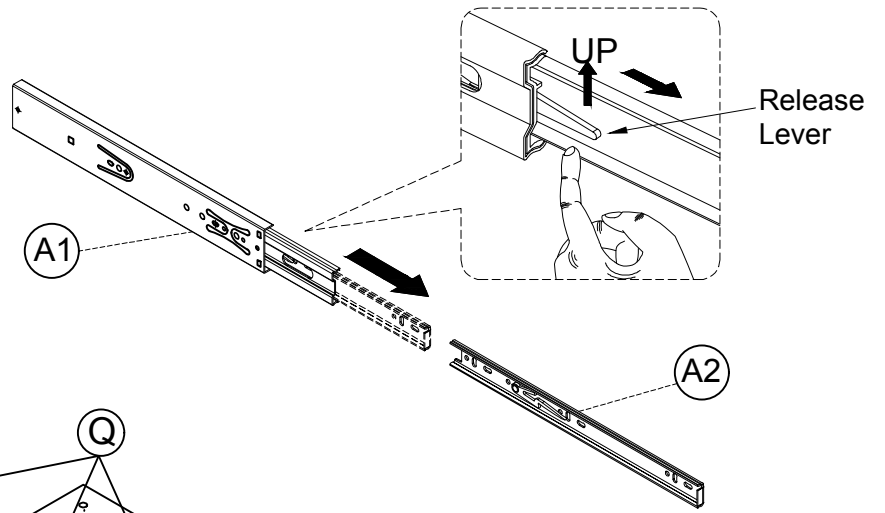
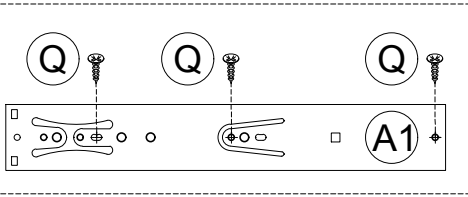
HARDWARE LIST



(A)	A1 : D300MM 	4SETS	(K)	M6*30MM 	14PCS
	A2 : D300MM 				
(B)	3.5*12MM 	16PCS	(L)	M4*20MM HANDLE 	5SETS
(C)	Ø 8 * 30MM 	12PCS	(M)	M4*50MM 	8SETS
(D)	Ø5*35MM 	30PCS	(N)	STAY ARM 	1PC
(E)	Ø 15*10MM 	30PCS	(O)	L4*58MM 	1PC
(F)	M6*50MM 	4SETS	(P)	L 15MM 	2PCS
(G)	HINGES 	2PCS	(Q)	3.5*10MM 	24PCS
(H)	L 45MM 	2SETS	(R)		2SETS
(J)	3.5*12MM 	10PCS			

ASSEMBLY TOOLS REQUIRED (NOT INCLUDED)



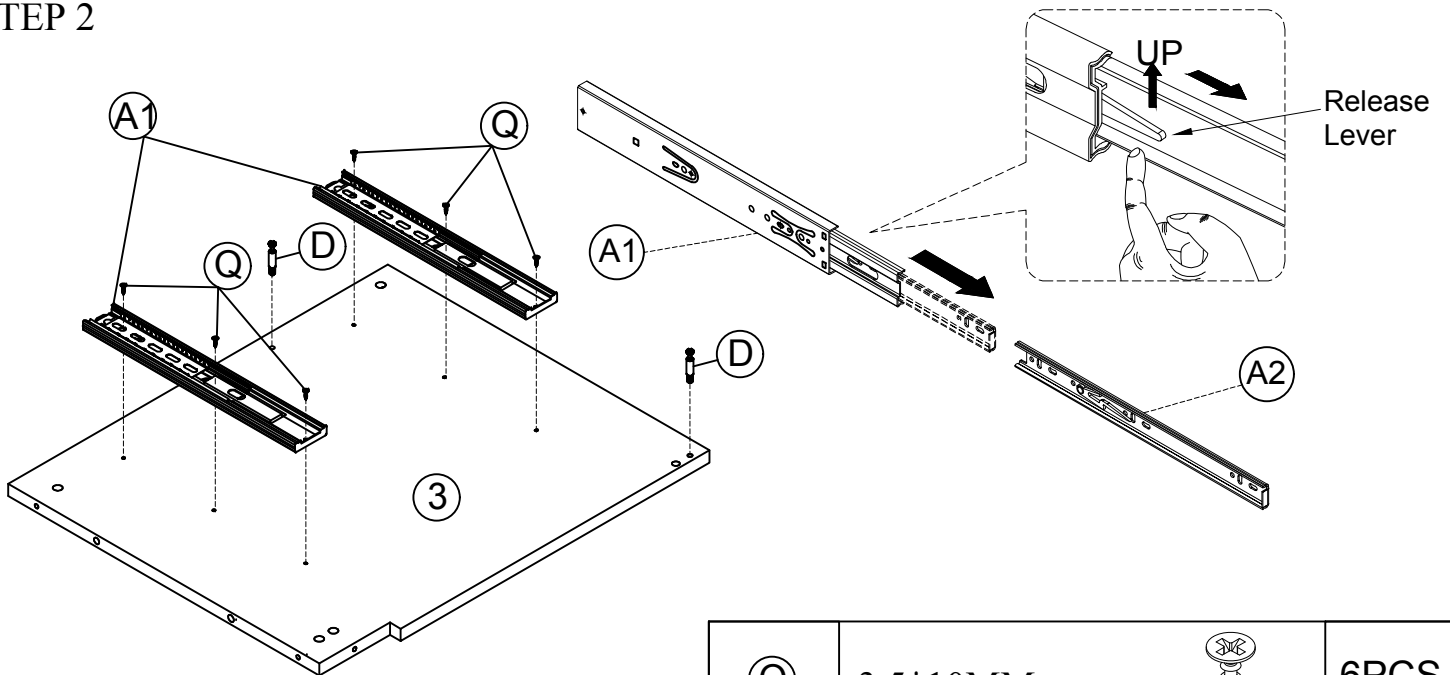
STEP 1

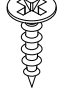



Q	3.5*10MM	 6PCS
D	Ø5*35MM	 1PC

A	A1 : D300MM	 2PCS
---	-------------	---

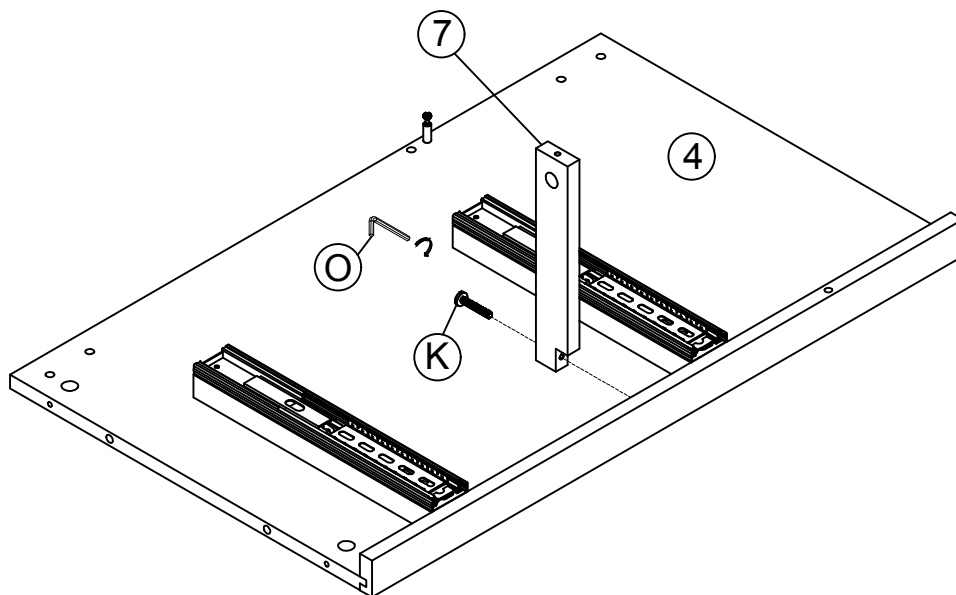
STEP 2





Q	3.5*10MM	 6PCS
D	Ø5*35MM	 2PCS

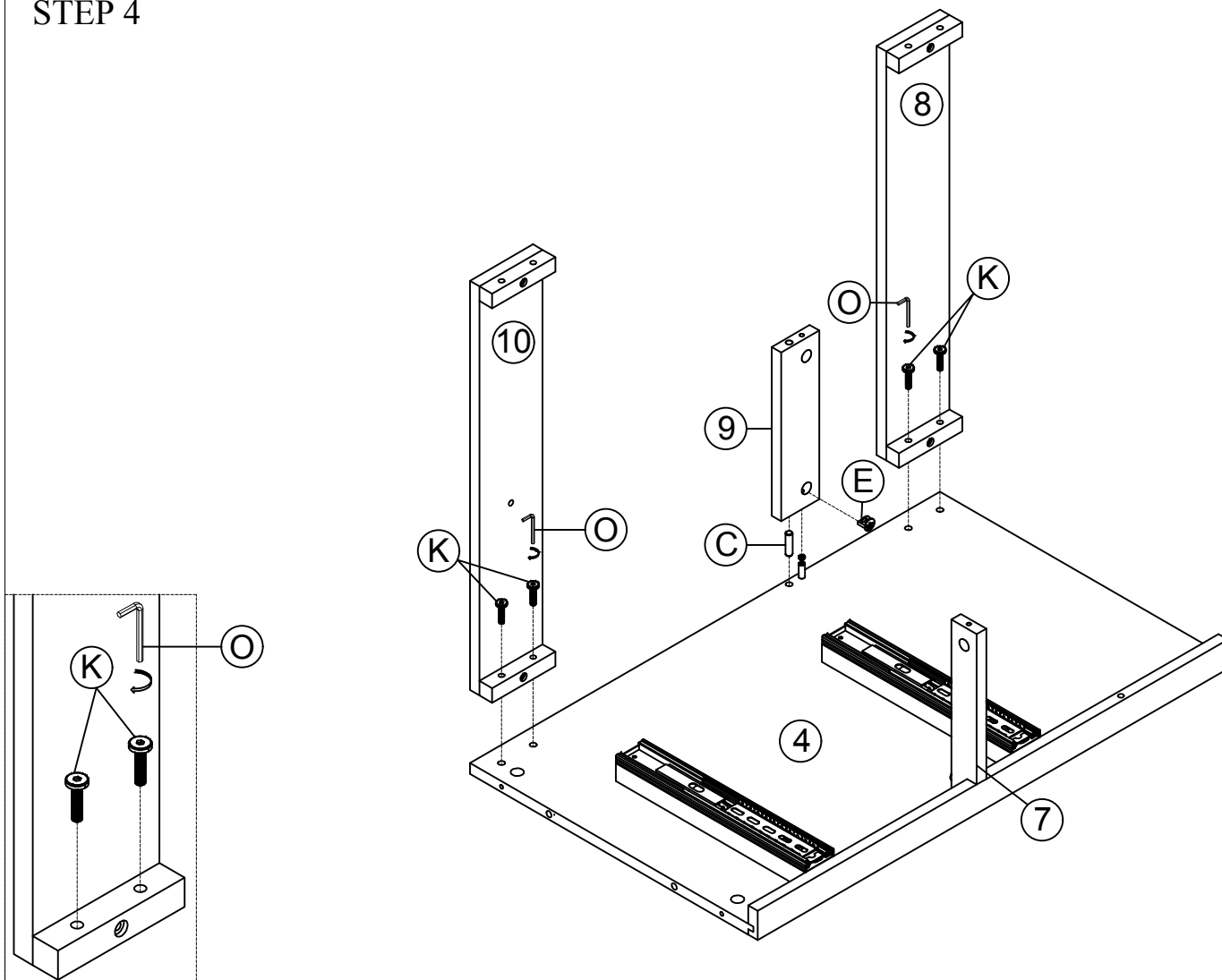
A	A1 : D300MM	 2PCS
---	-------------	---


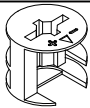


STEP 3



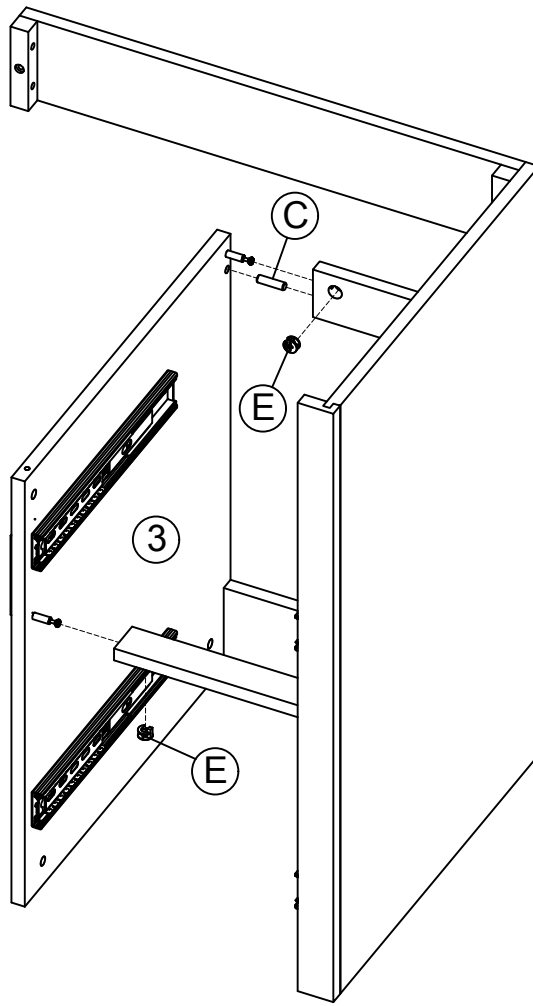
(K)	M6*30MM		1PC	(O)	L4*58MM		1PC
-----	---------	---	-----	-----	---------	---	-----



STEP 4



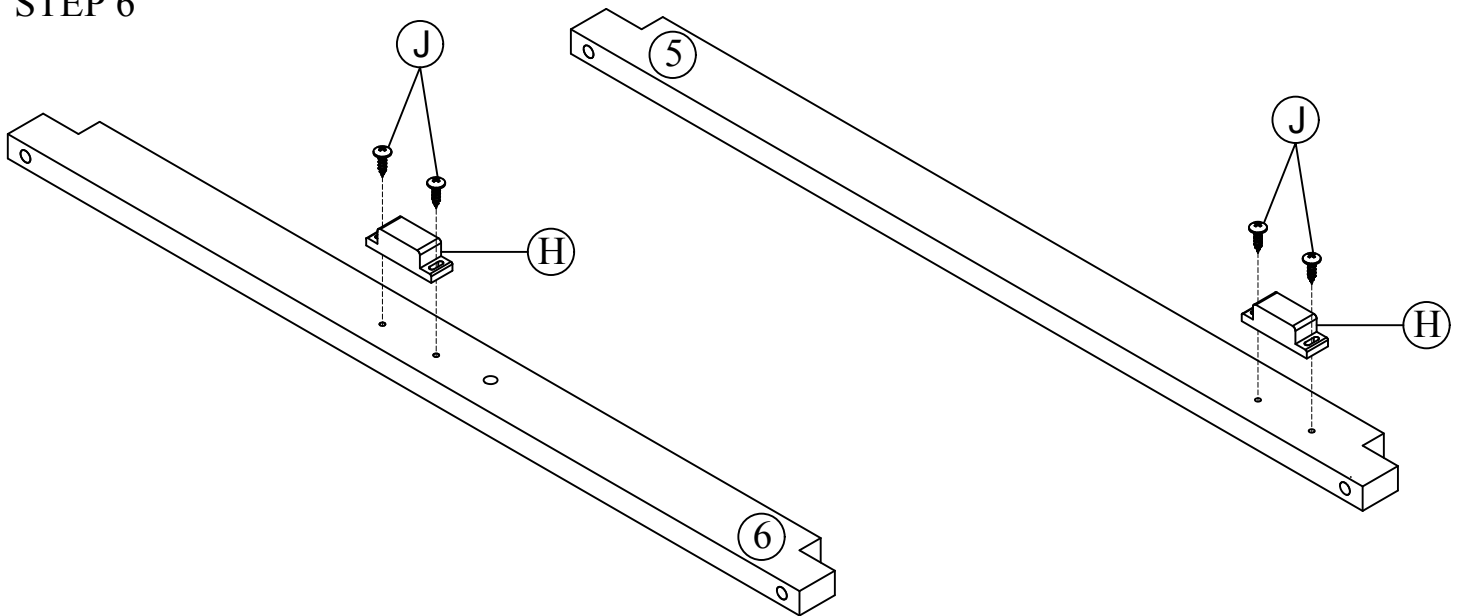
(C)	Ø 8 * 30MM		1PC	(E)	Ø 15*10MM		1PC
(K)	M6*30MM		4PCS	(O)	L4*58MM		1PC

STEP 5



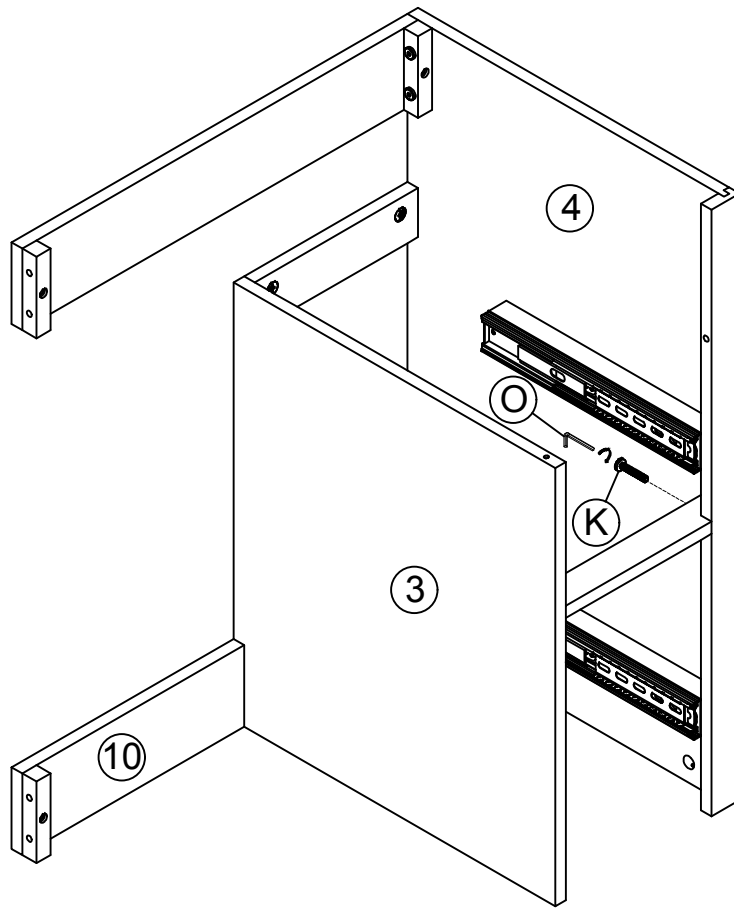
<p>Ⓒ</p>	<p>Ø 8 * 30MM</p>		<p>1PC</p>	<p>Ⓔ</p>	<p>Ø 15*10MM</p>	 <p>2PCS</p>
----------	-------------------	---	------------	----------	------------------	---



STEP 6



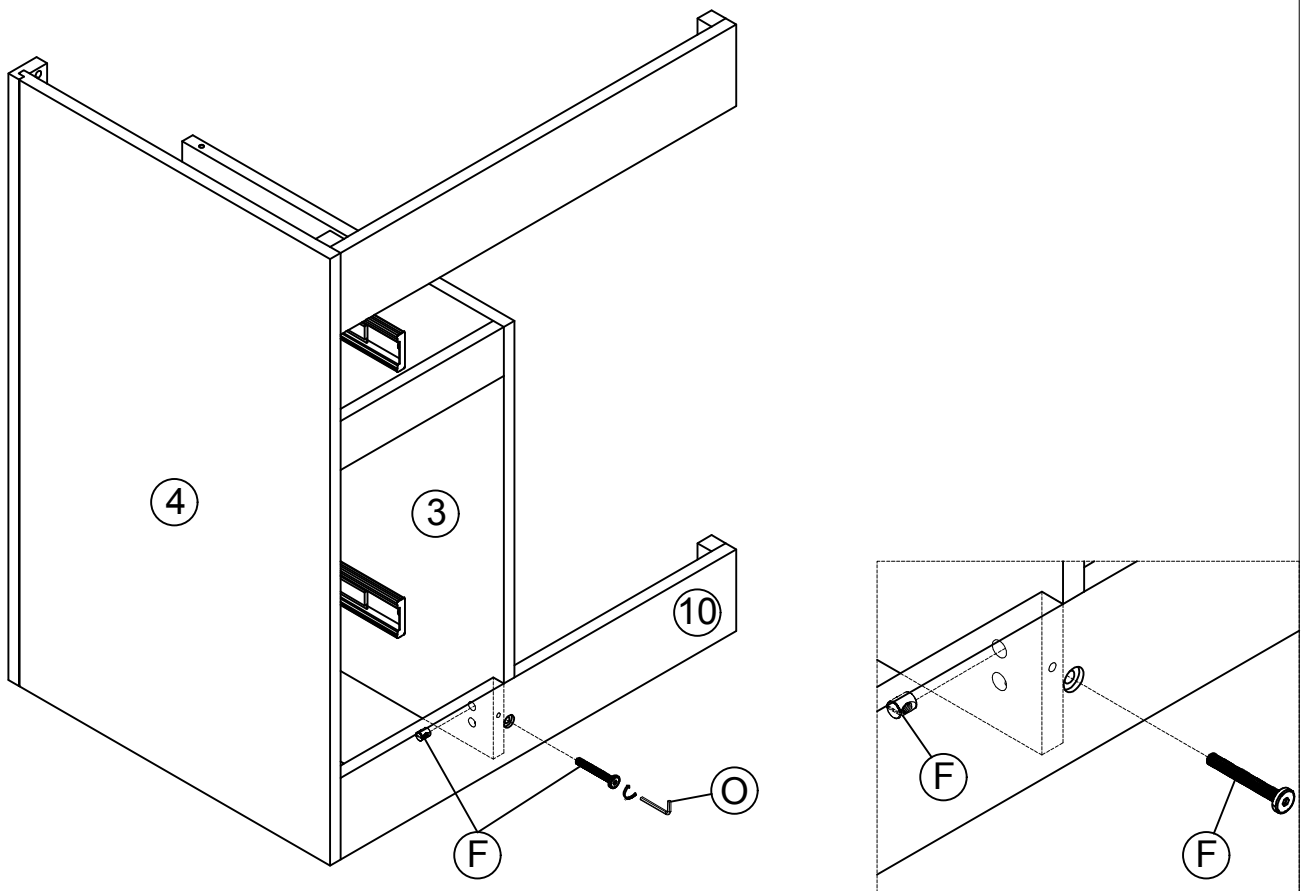
<p>Ⓙ</p>	<p>3.5*12MM</p>		<p>4PCS</p>	<p>Ⓚ</p>	<p>L45MM</p>	 <p>2PCS</p>
----------	-----------------	---	-------------	----------	--------------	---

STEP 7



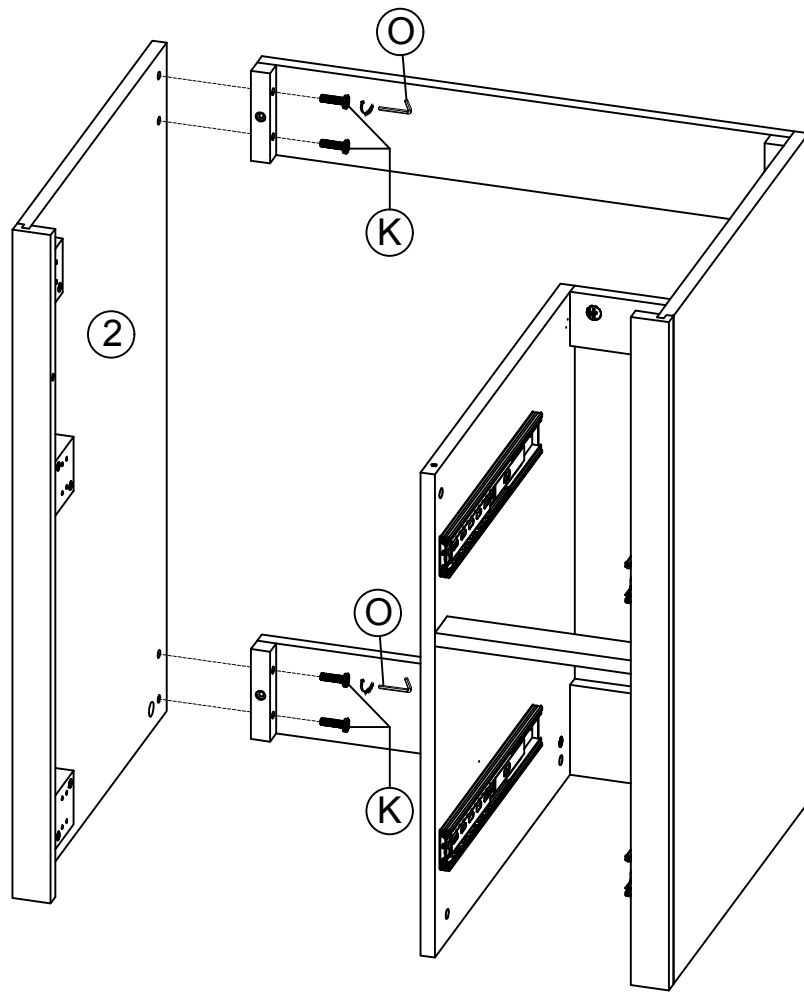
Ⓚ	M6*30MM		1PC	⓪	L4*58MM		1PC
---	---------	---	-----	---	---------	---	-----


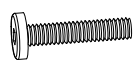

STEP 8



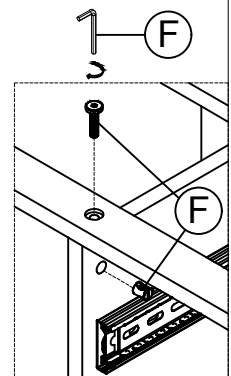
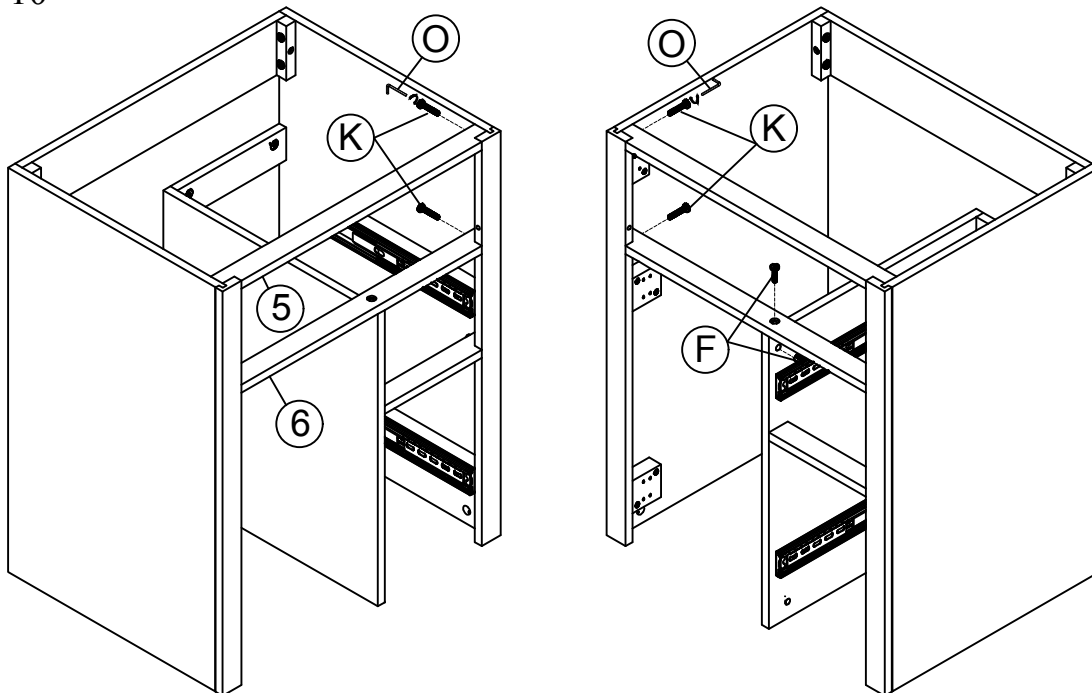
ⓕ	M6*50MM		1SET	⓪	L4*58MM		1PC
---	---------	---	------	---	---------	---	-----







STEP 9



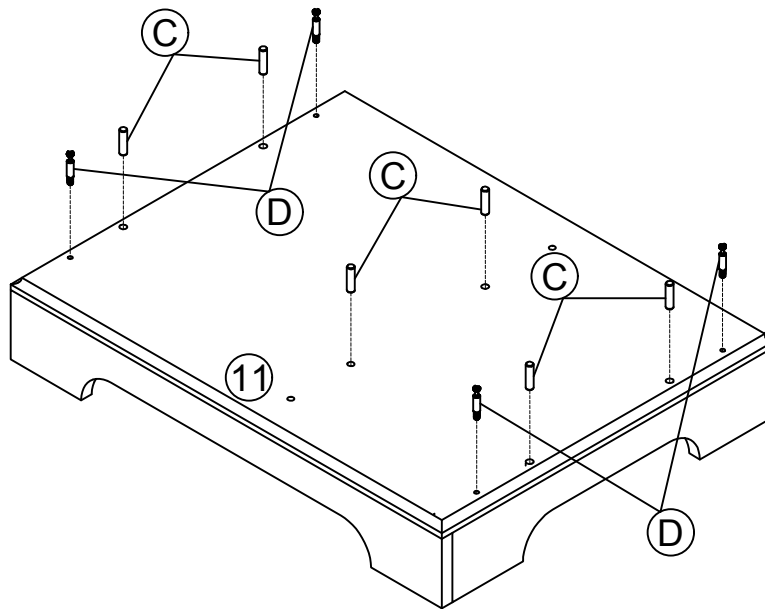
	M6*30MM		4PCS		L4*58MM	1PC
--	---------	---	------	---	---------	-----


STEP 10



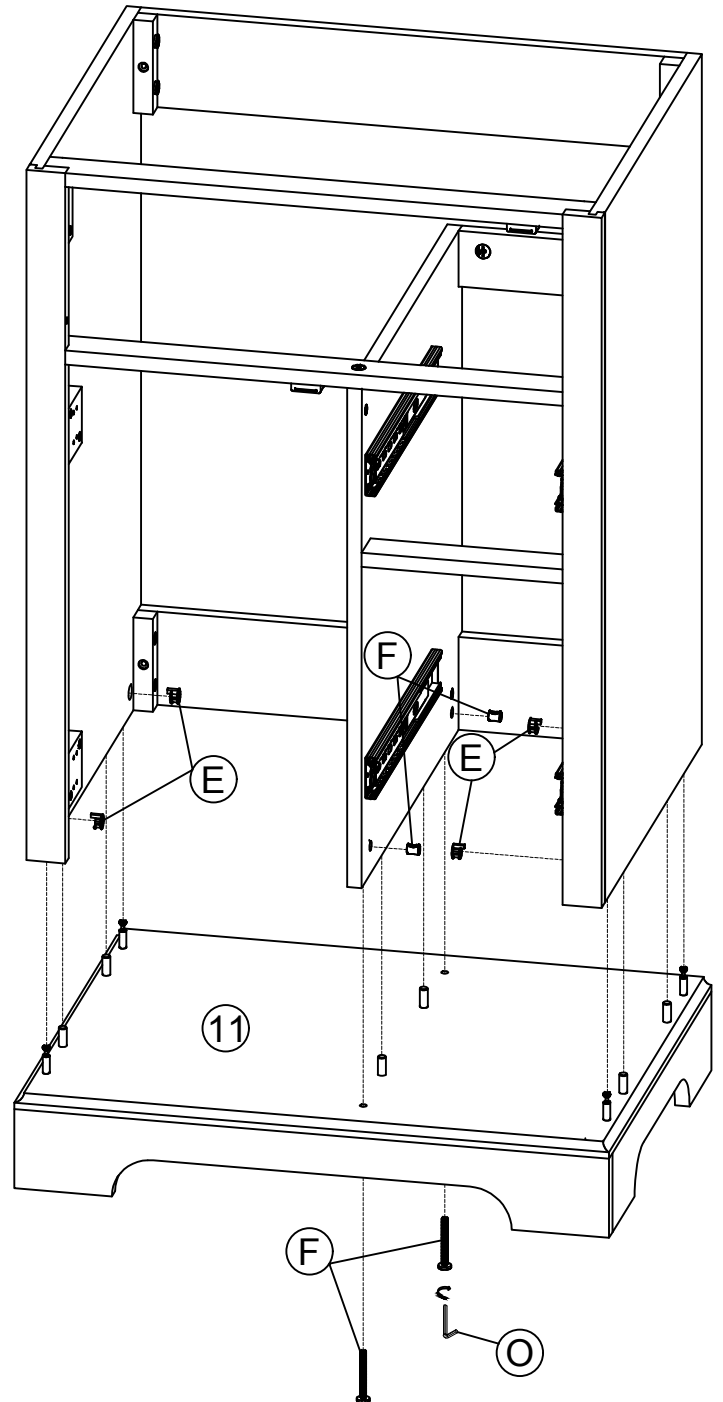
	M6*50MM		1SET		L4*58MM	1PC
	M6*30MM		4PCS		L4*58MM	1PC

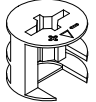


STEP 11



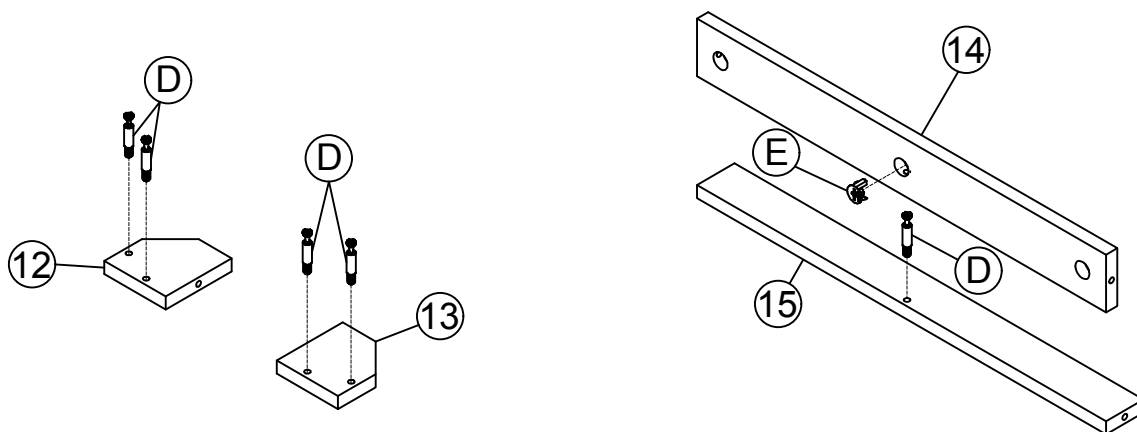
Ⓒ	Ø 8 * 30MM		6PCS	Ⓓ	Ø5*35MM		4PCS
---	------------	---	------	---	---------	---	------

STEP 12



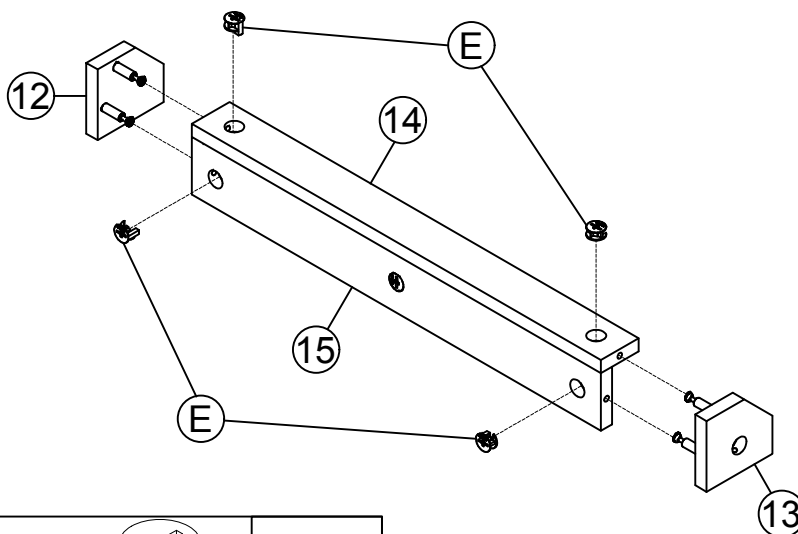
Ⓔ	Ø 15*10MM		4PCS
Ⓕ	M6*50MM		2SETS
Ⓞ	L4*58MM		1PC

STEP 13



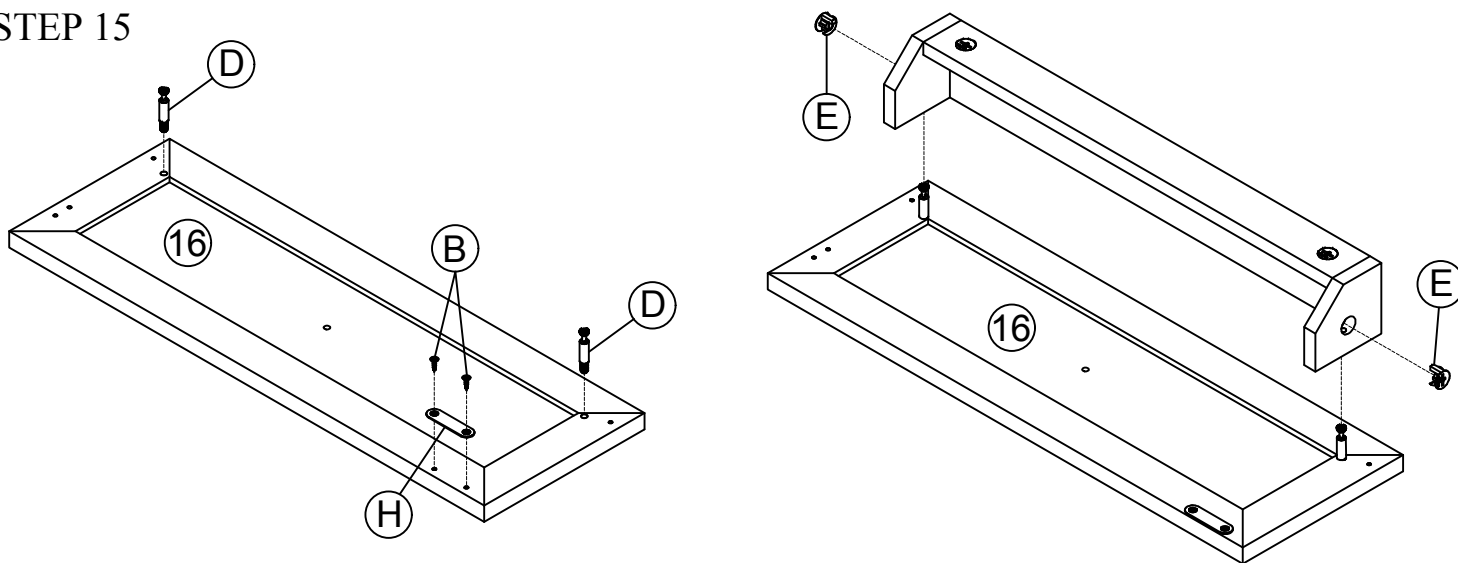
<p>Ⓓ</p>	<p>Ø5*35MM</p>	 <p>5PCS</p>	<p>Ⓔ</p>	<p>Ø 15*10MM</p>	 <p>1PC</p>
----------	----------------	---	----------	------------------	--




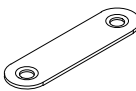
STEP 14



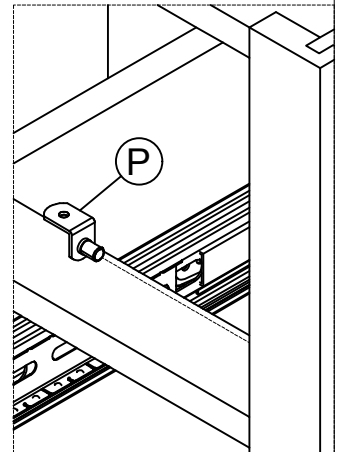
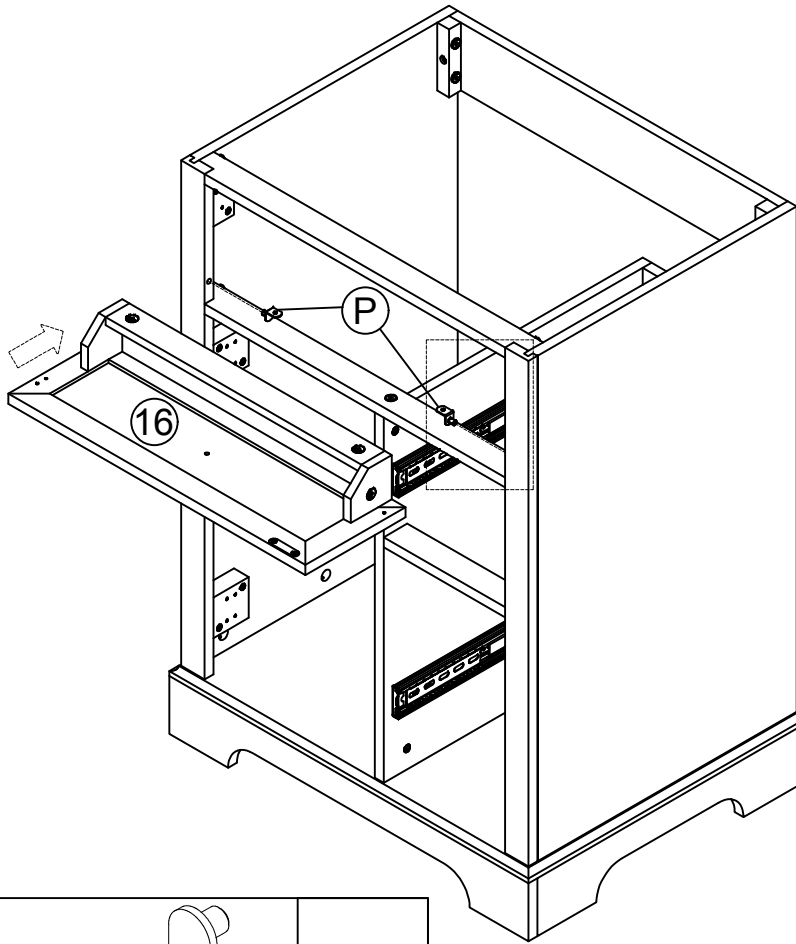
<p>Ⓔ</p>	<p>Ø 15*10MM</p>	 <p>4PCS</p>
----------	------------------	---

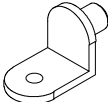
STEP 15



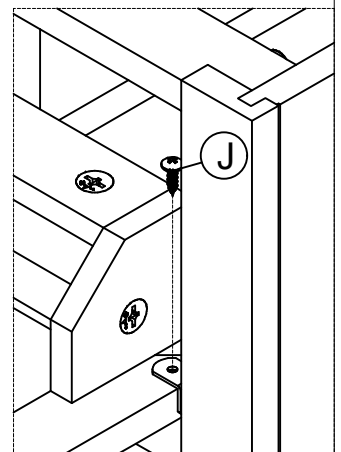
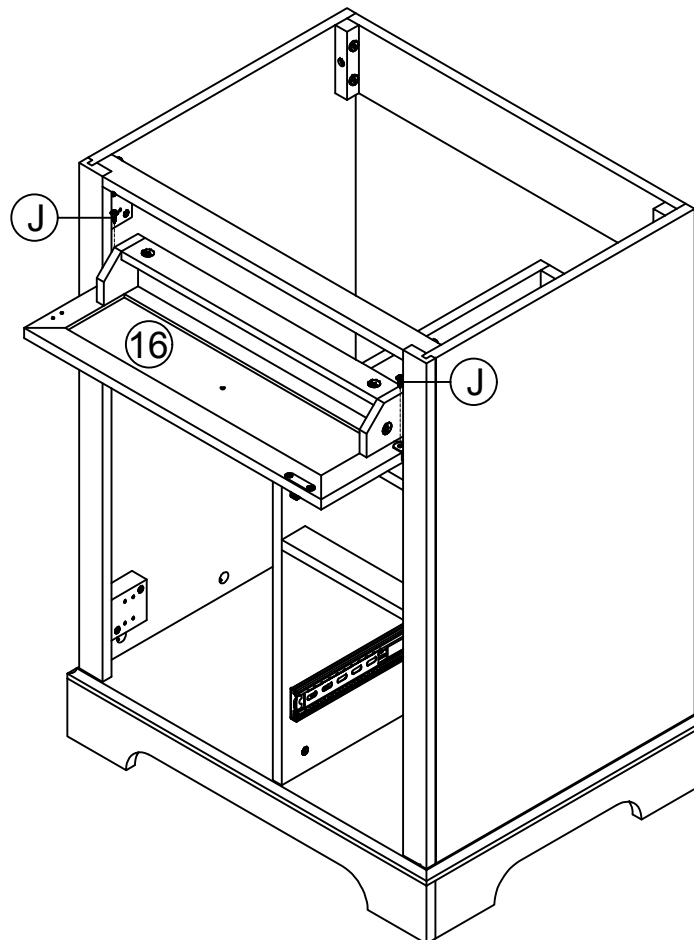
<p>Ⓑ</p>	<p>3.5*12MM</p>	 <p>2PCS</p>	<p>Ⓔ</p>	<p>Ø 15*10MM</p>	 <p>2PCS</p>
<p>Ⓓ</p>	<p>Ø5*35MM</p>	 <p>2PCS</p>	<p>Ⓕ</p>	<p>L 45MM</p>	 <p>1PC</p>

STEP 16



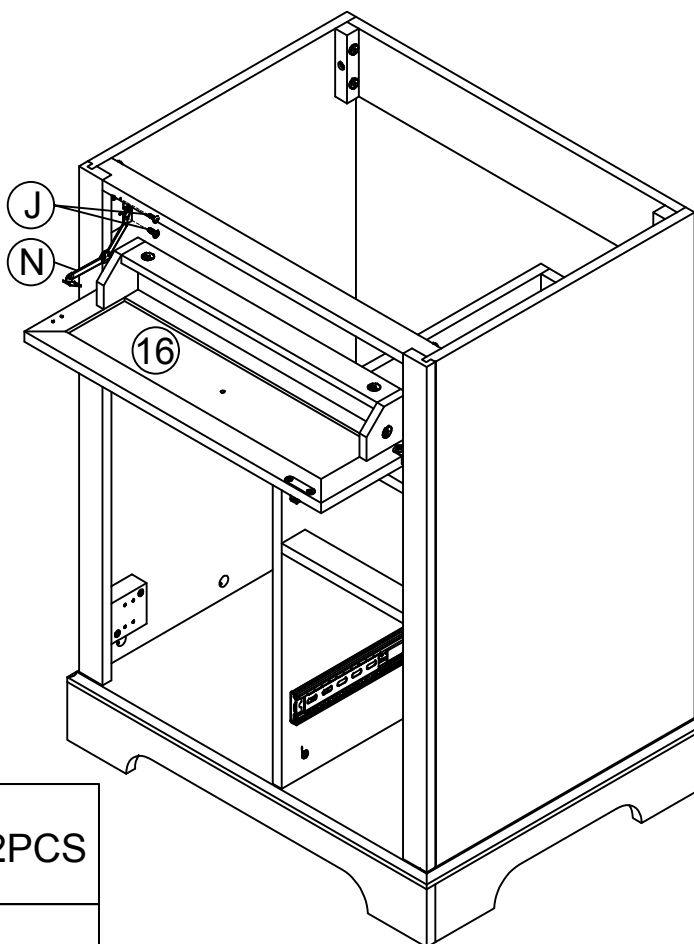
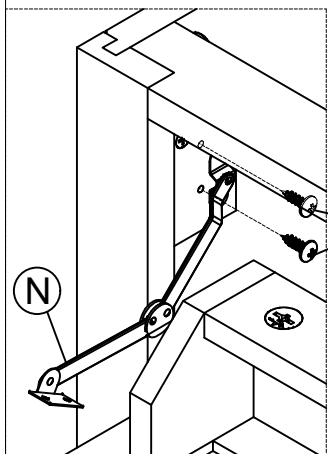
Ⓟ	L 15MM		2PCS
---	--------	--	------

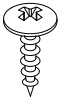

STEP 17



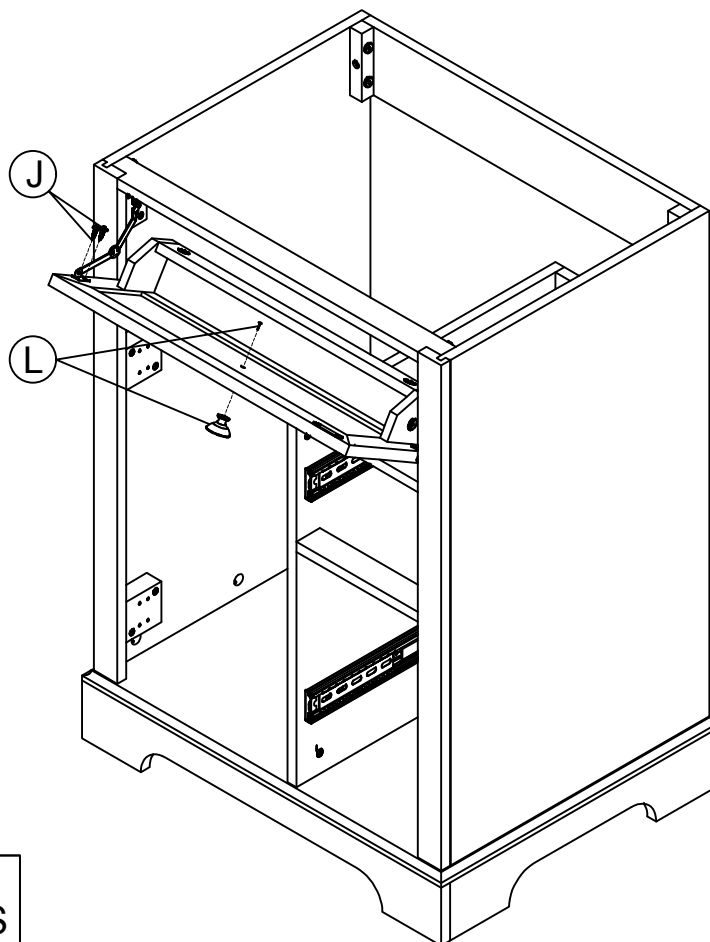
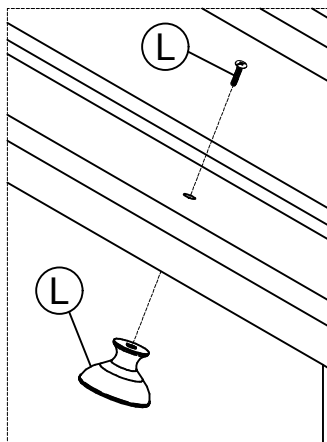
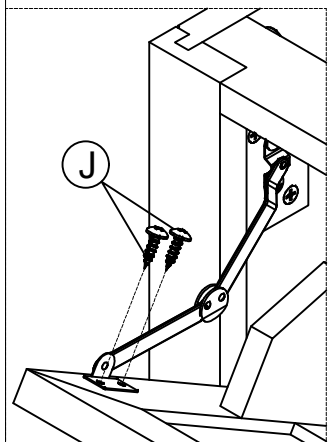
Ⓝ	3.5*12MM		2PCS
---	----------	---	------

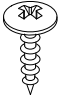
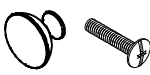
STEP 18



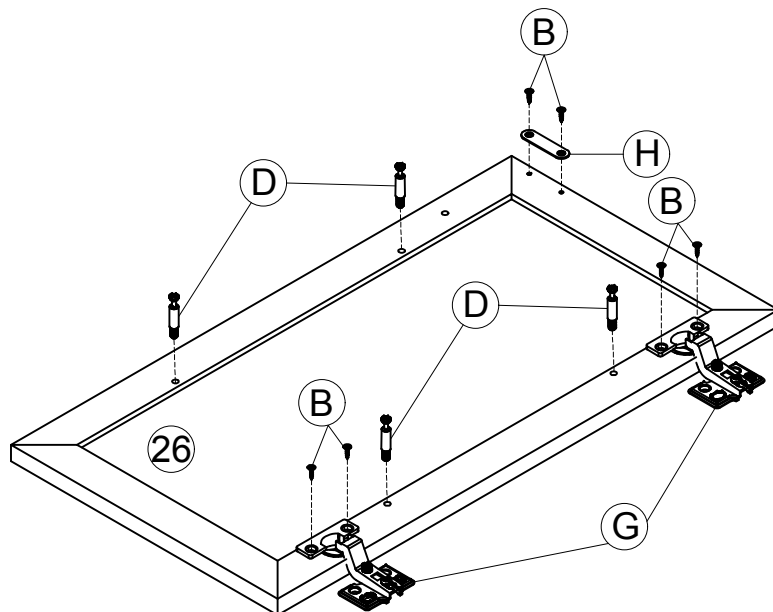
<p>ⓐ</p>	<p>3.5*12MM</p> 	<p>2PCS</p>
<p>ⓑ</p>	<p>STAY ARM</p> 	<p>1PC</p>




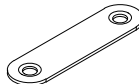
STEP 19



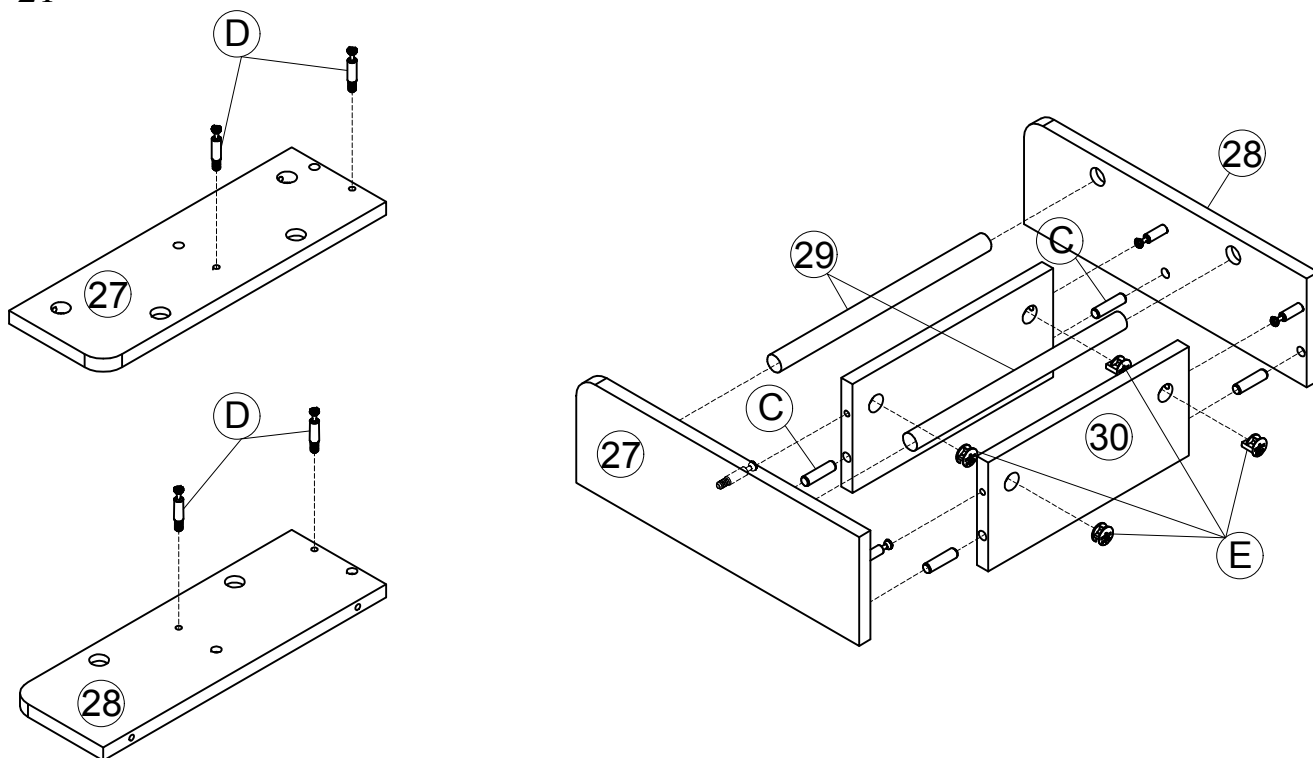
<p>ⓐ</p>	<p>3.5*12MM</p> 	<p>2PCS</p>
<p>ⓑ</p>	<p>M4*20MM HANDLE</p> 	<p>1SET</p>


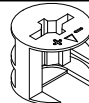
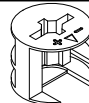
STEP 20



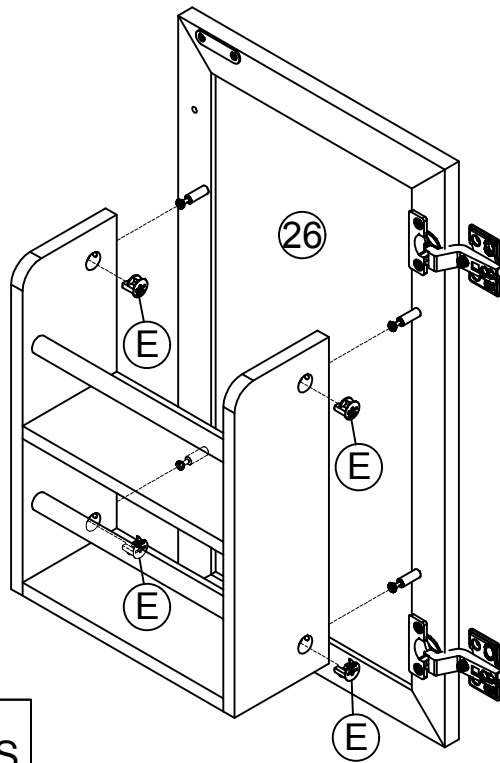
<p>(B) 3.5*10MM</p> 	<p>6PCS</p>	<p>(G) HINGES</p> 	<p>2PCS</p>
<p>(D) Ø5*35MM</p> 	<p>4PCS</p>	<p>(H) L 45MM</p> 	<p>1PC</p>

STEP 21



<p>(C) Ø 8 * 30MM</p> 	<p>4PCS</p>		
<p>(D) Ø5*35MM</p> 	<p>4PCS</p>	<p>(E) Ø 15*10MM</p> 	<p>4PCS</p>

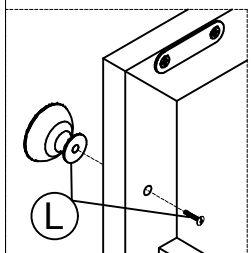
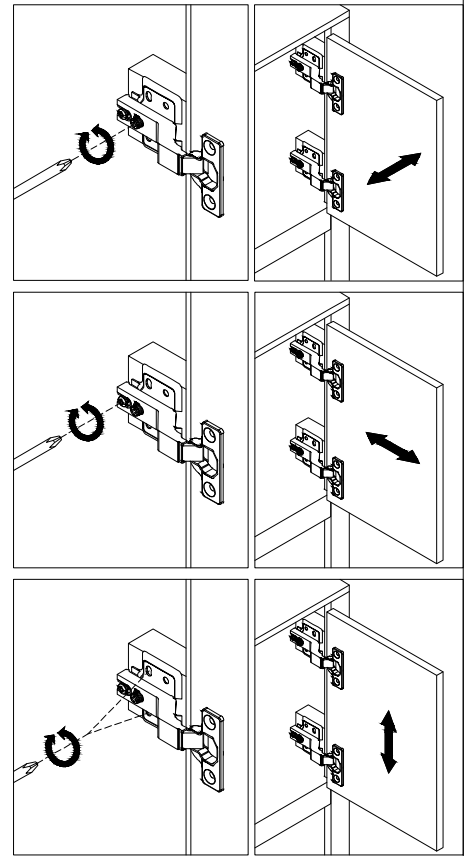
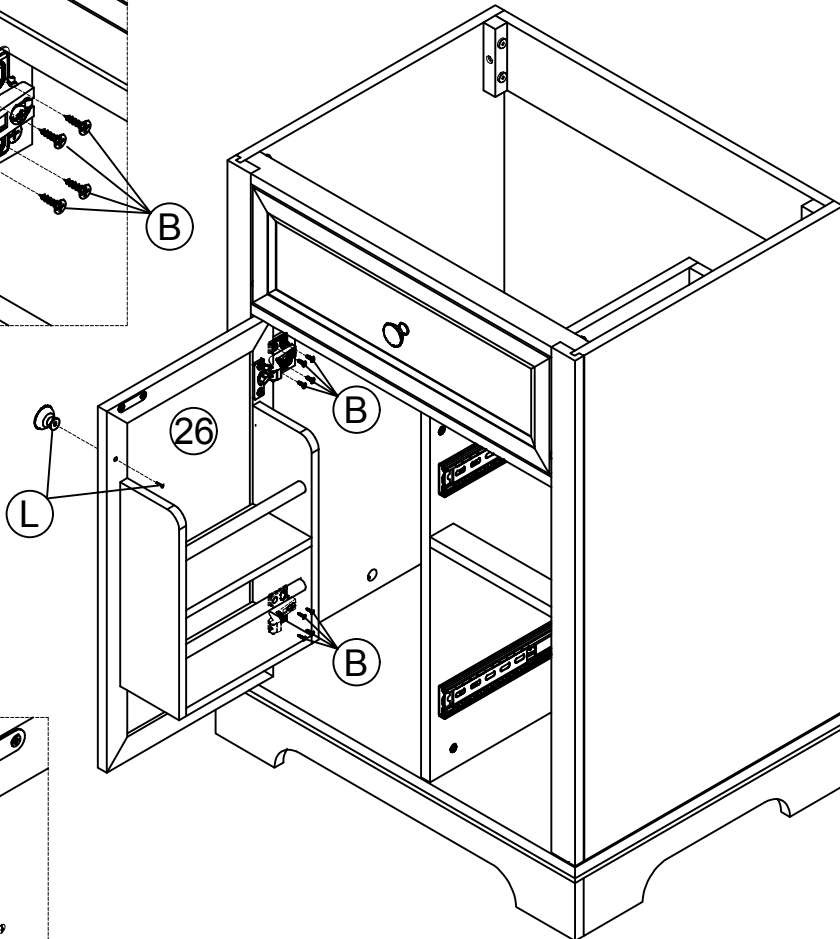
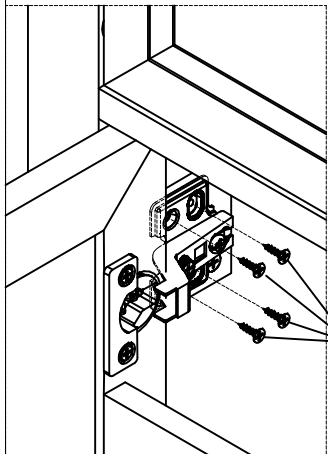
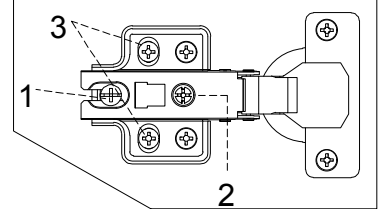
STEP 22



<p>(E)</p>	<p>Ø 15*10MM</p>		<p>4PCS</p>
------------	------------------	---	-------------

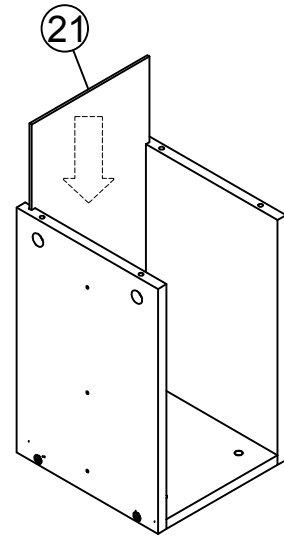
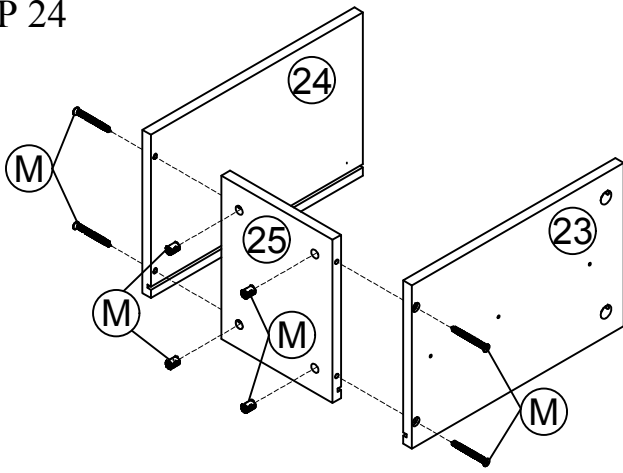
STEP 23

Three-way adjustable hinge for perfectly aligned doors
 1. TO ADJUST DOOR FORWARD OR BACKWARD.
 2. TO ADJUST DOOR TO RIGHT OR TO LEFT.
 3. TO ADJUST DOOR UP OR DOWN.



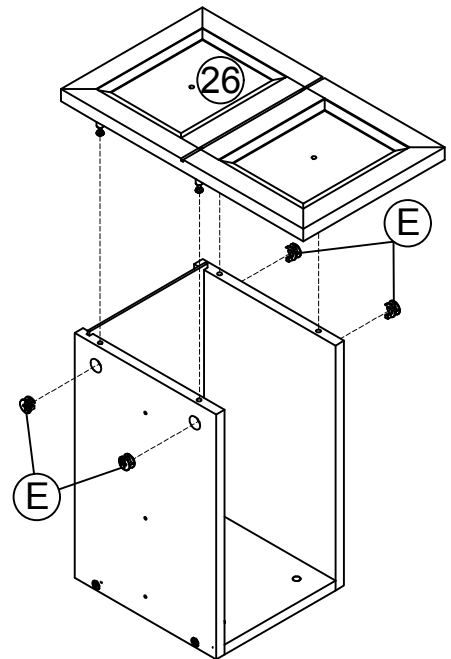
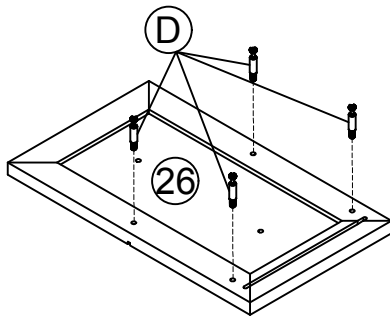
<p>(B)</p>	<p>3.5*12MM</p>		<p>8PCS</p>	<p>(L)</p>	<p>M4*20MM HANDLE</p> 	<p>1SET</p>
------------	-----------------	---	-------------	------------	---	-------------

STEP 24



<p>(M)</p>	<p>M4*50MM</p> 	<p>4SETS</p>
------------	--	--------------

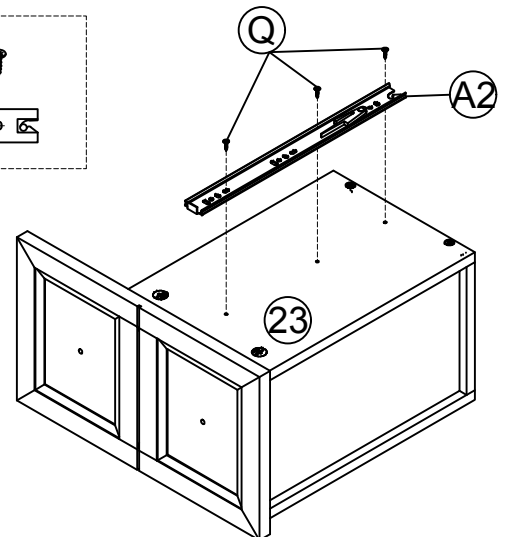
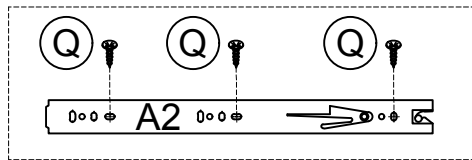
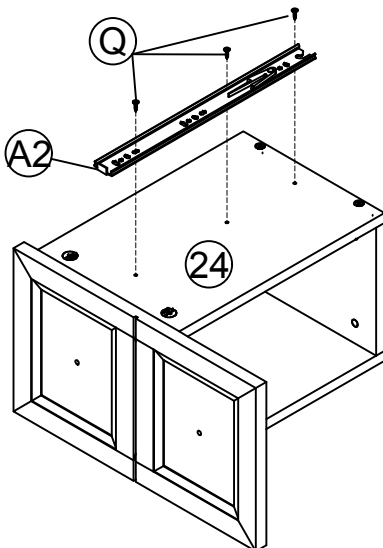
STEP 25



<p>(D)</p>	<p>Ø5*35MM</p> 	<p>4PCS</p>
------------	--	-------------

<p>(E)</p>	<p>Ø 15*10MM</p> 	<p>4PCS</p>
------------	--	-------------

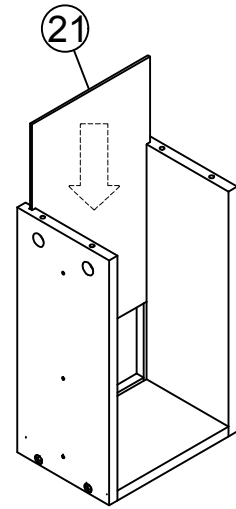
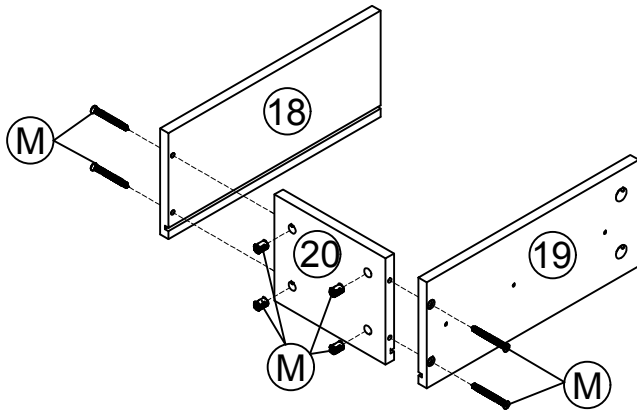
STEP 26



<p>(A)</p>	<p>A2 : D300MM</p> 	<p>2PCS</p>
------------	--	-------------

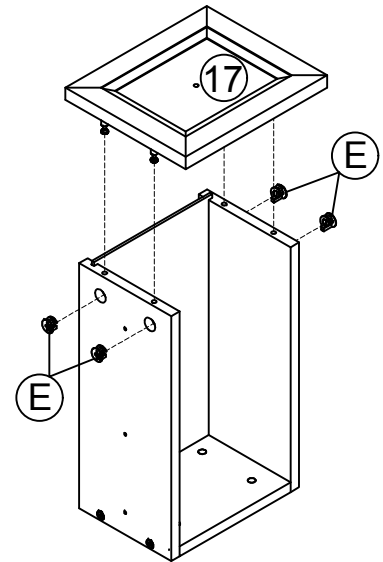
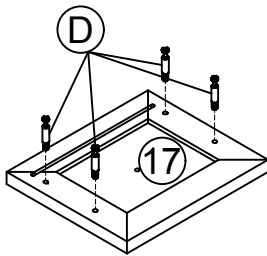
<p>(Q)</p>	<p>3.5*10MM</p> 	<p>6PCS</p>
------------	---	-------------

STEP 27



<p>(M)</p>	<p>M4*50MM</p> 	<p>4SETS</p>
------------	--	--------------

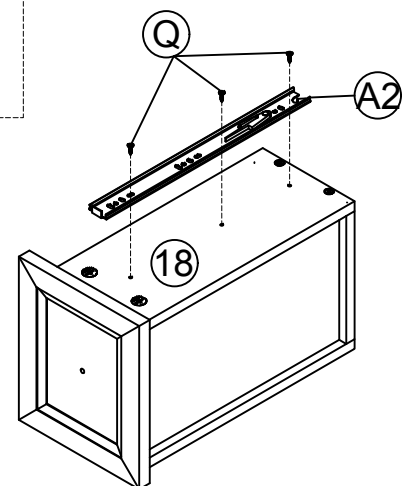
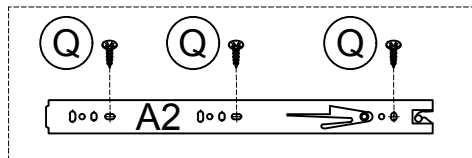
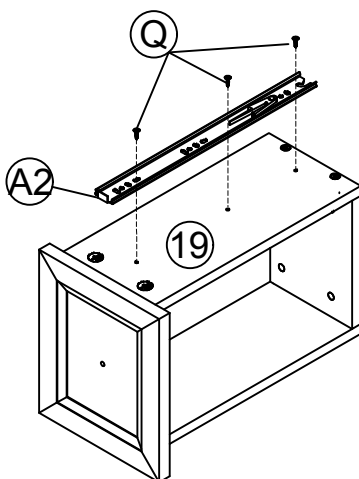
STEP 28



<p>(D)</p>	<p>Ø5*35MM</p> 	<p>4PCS</p>
------------	--	-------------

<p>(E)</p>	<p>Ø 15*10MM</p> 	<p>4PCS</p>
------------	--	-------------

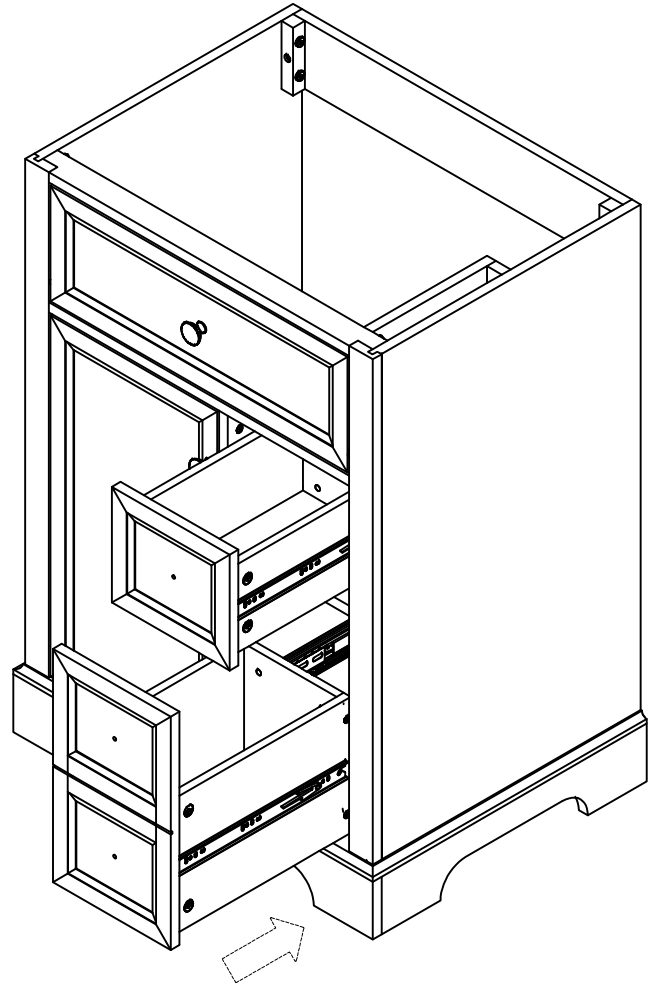
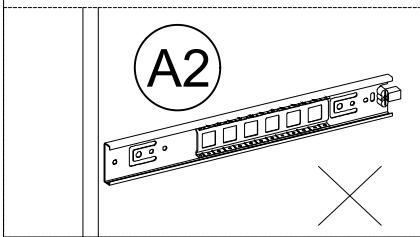
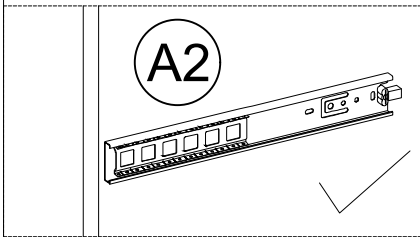
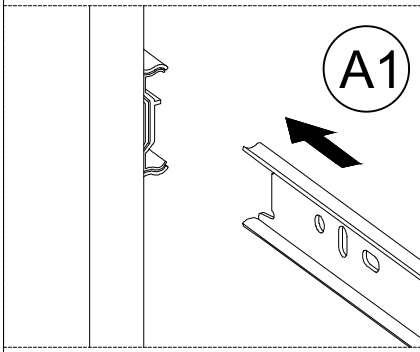
STEP 29



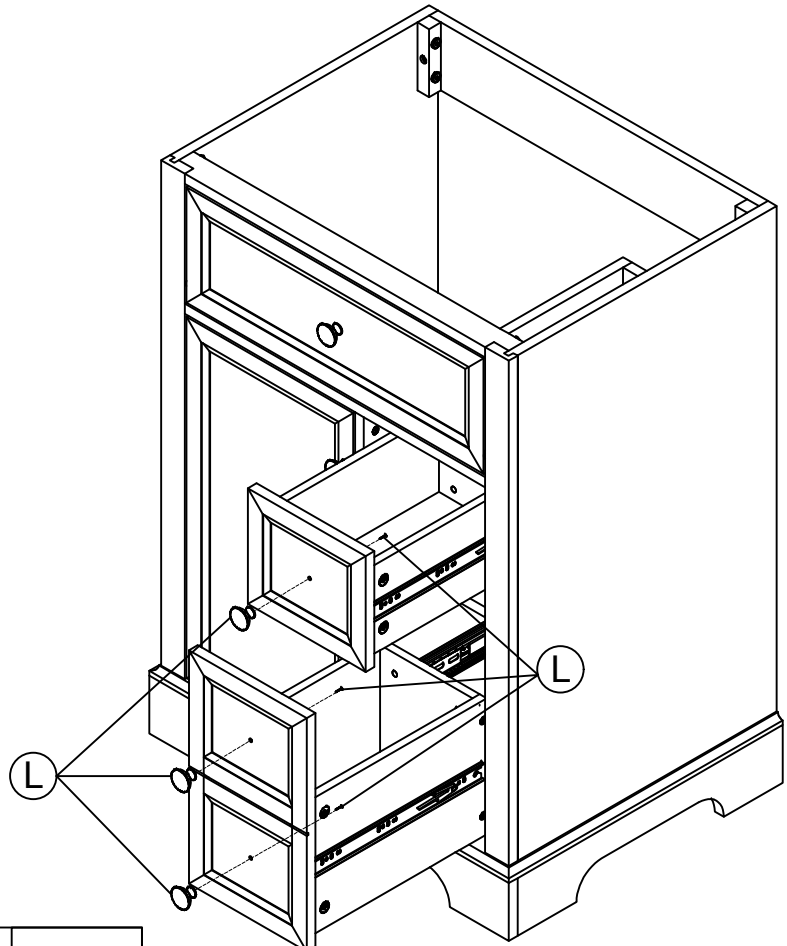
<p>(A)</p>	<p>A2 : D300MM</p> 	<p>2PCS</p>
------------	--	-------------

<p>(Q)</p>	<p>3.5*10MM</p> 	<p>6PCS</p>
------------	---	-------------

STEP 30



STEP 31



L

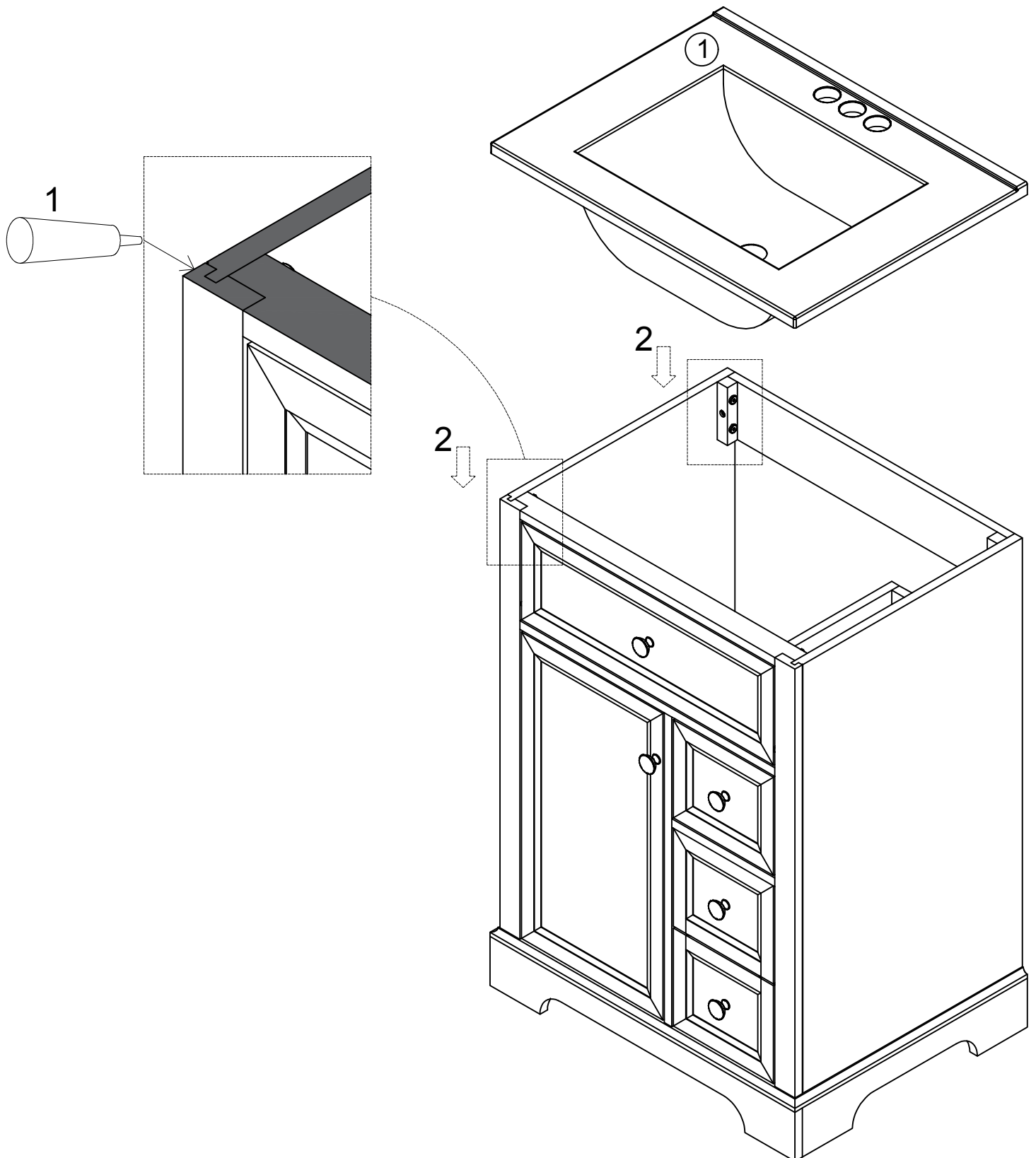
M4*20MM
HANDLE



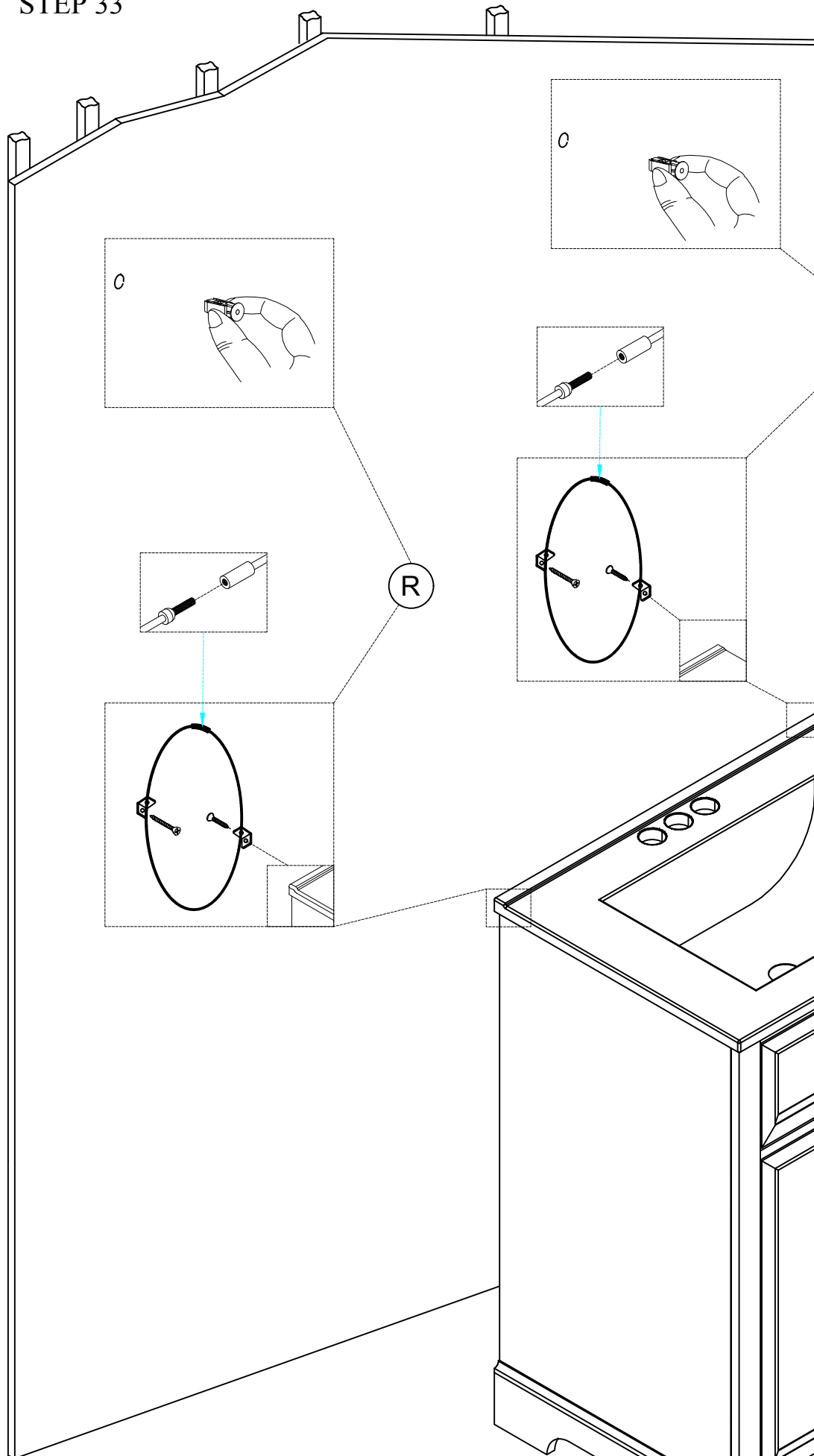
3SETS

STEP 32

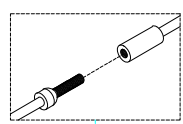
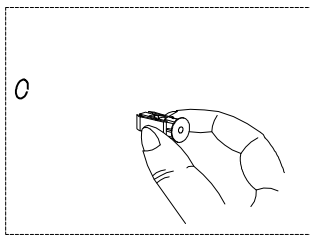
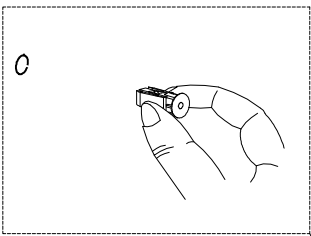
To install the Top (1) to the vanity (2).
Apply silicone caulk to the top edge of the wood cabinet. With the help of another adult, gently lower the Sink top with assembled sink onto the cabinet. Make sure the Sink top is flush with the back side of the wood cabinet and the wood cabinet left and right side walls.



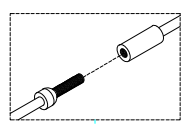
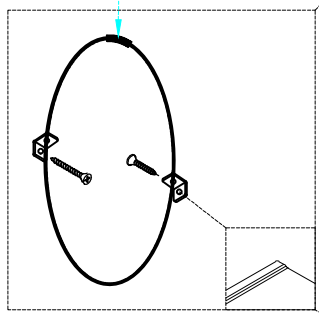
STEP 33



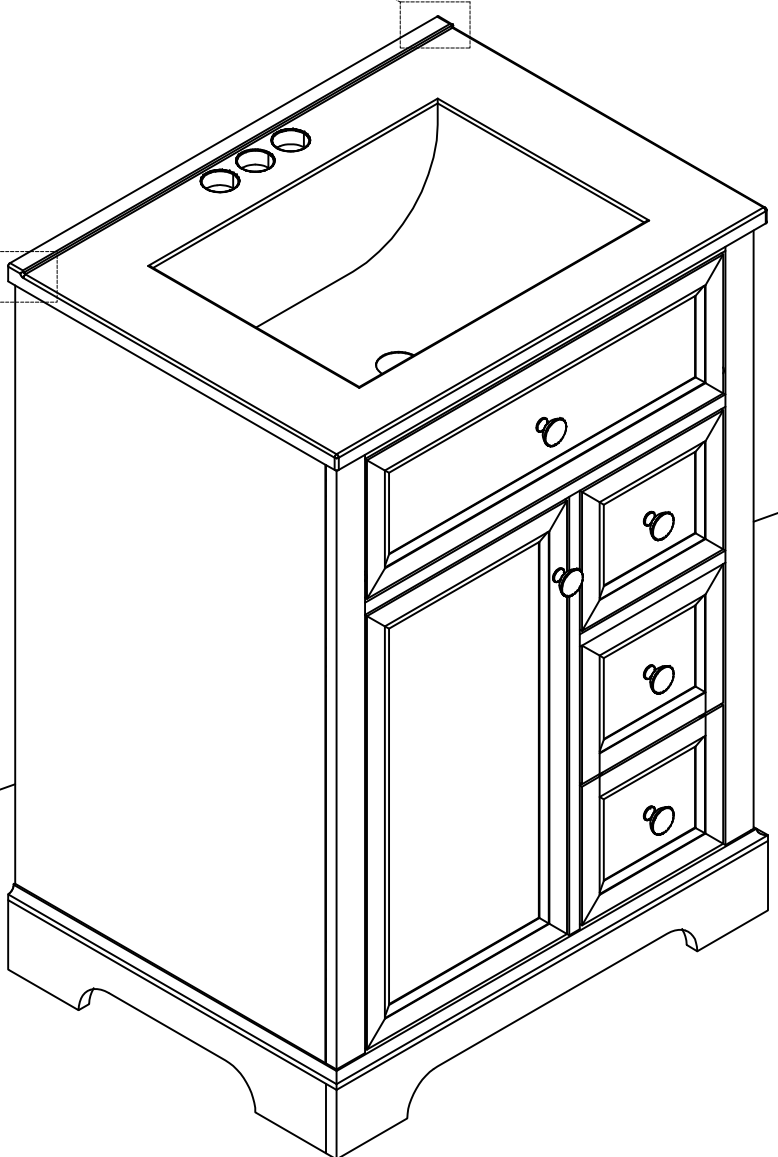
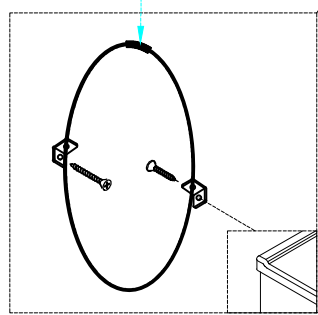
(R)		2SETS



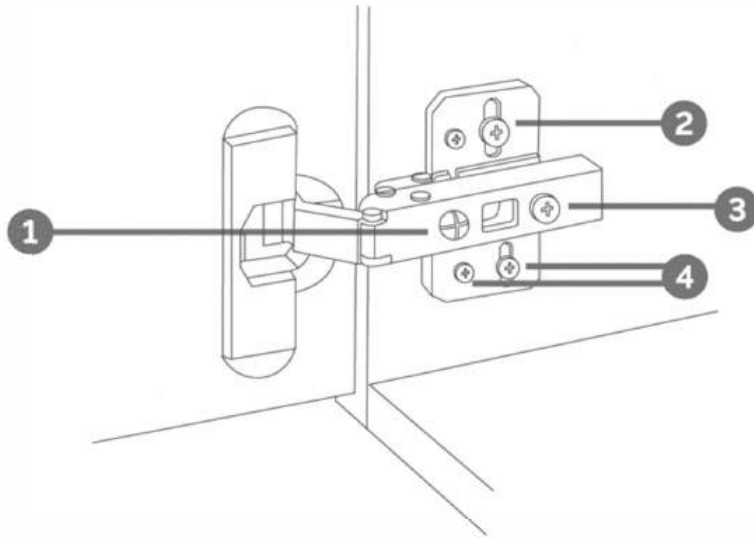
(R)



(R)

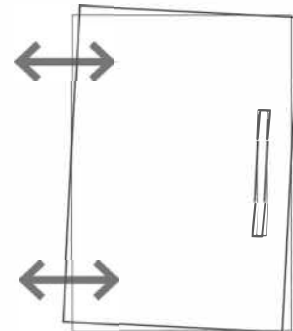


HINGE ADJUSTMENTS



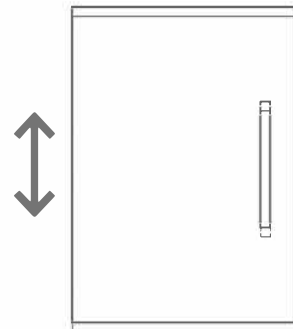
1 Sideways / Tilt adjustment

Turn the screw
clockwise to move the door further away from
the side of the cabinet
anticlockwise to move the door closer to the
side of the cabinet



2 4 Height adjustment

While supporting the weight of the door, turn the
screws
clockwise to move the door up
anticlockwise to move the door down



3 Forward and back adjustment

If the gap between the back of the door and the
cabinet is too small, and the door may not close
fully. Turn the screw
clockwise to decrease the gap between the
door and the cabinet
anticlockwise to increase the gap between the
door and the cabinet

