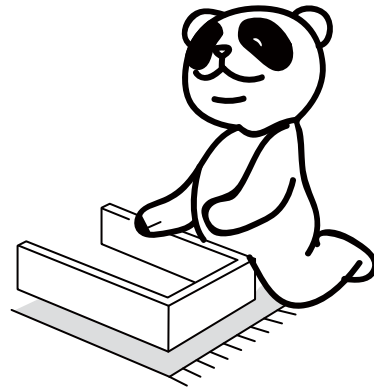
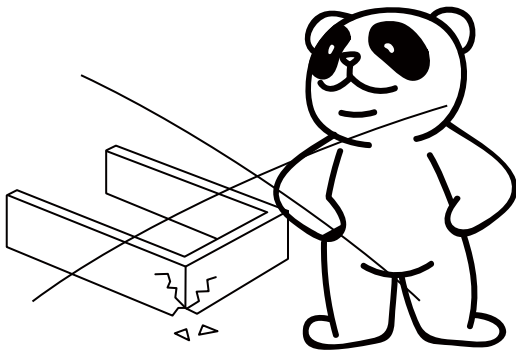
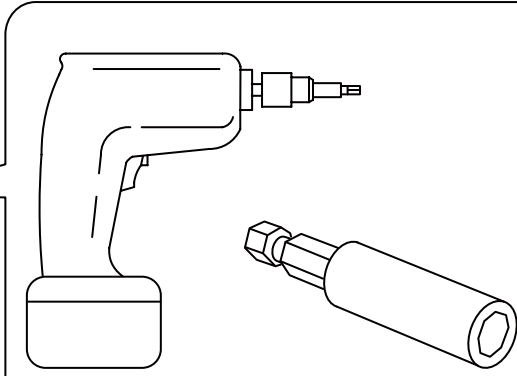
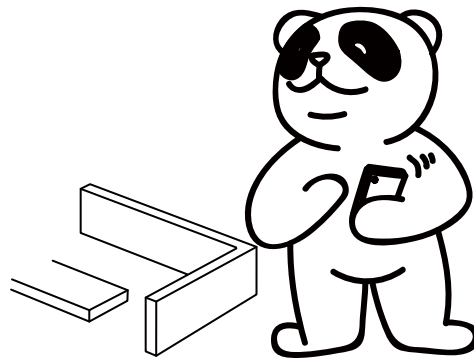
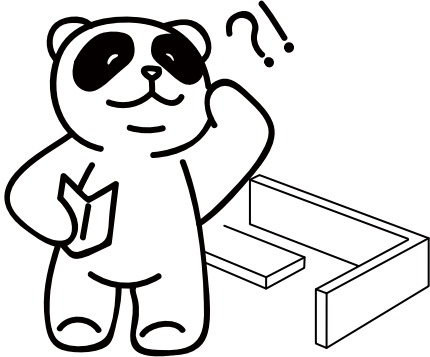


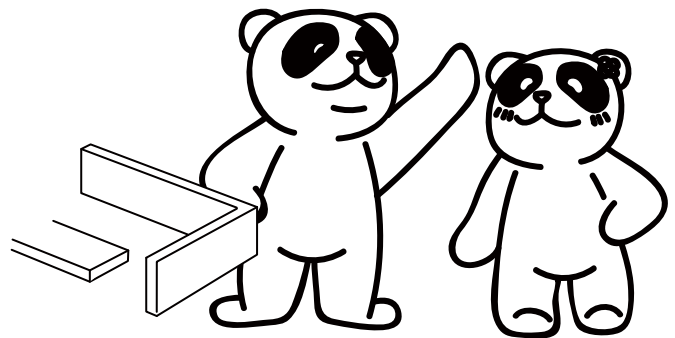
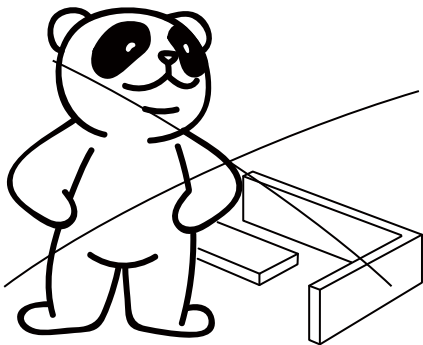
Version: 1.2



Violent installation is prohibited

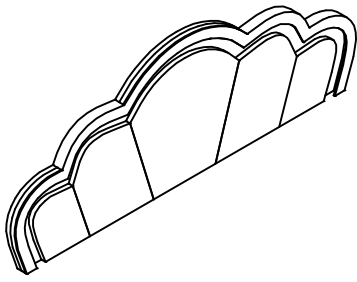


Please call if you need help



Multi-person cooperation is recommended

Assembly Instruction



1 x1



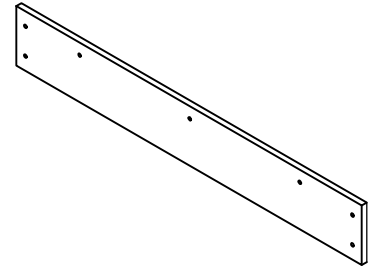
2 x1



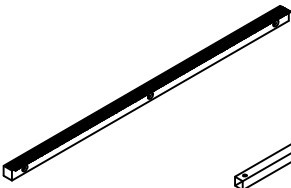
3 x1



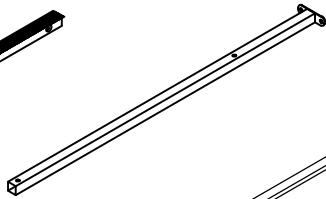
4 x2



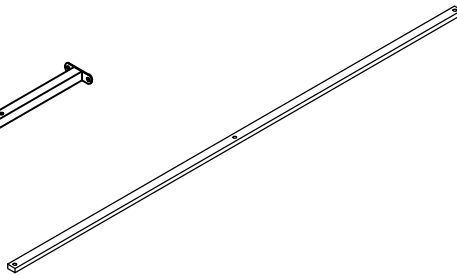
5 x4



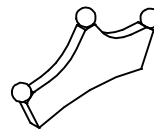
6 x4



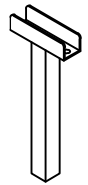
7 x2



8 x1



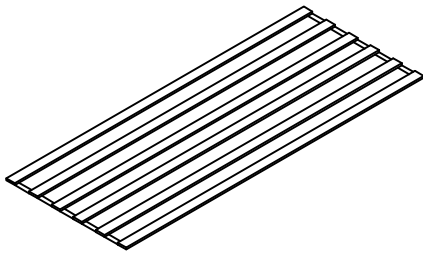
9 x1



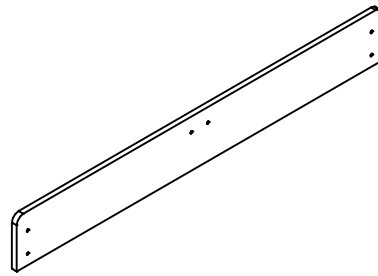
10 x1



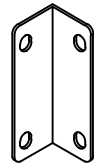
11 x2



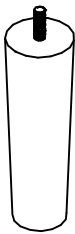
12 x2



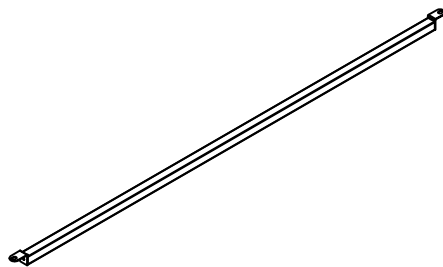
13 x1



14 x2



15 x2



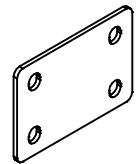
16 x1



17 x1



18 x1



19 x1



A

M8*15
x16+2



B

M8*20
x18+2



C

M8*35
x18+2



D

M8*40
x4+1



E

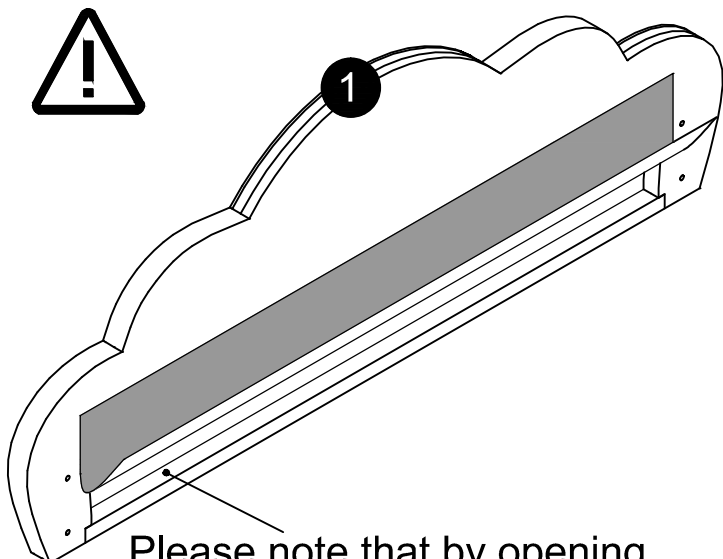
M8*50
x1+1



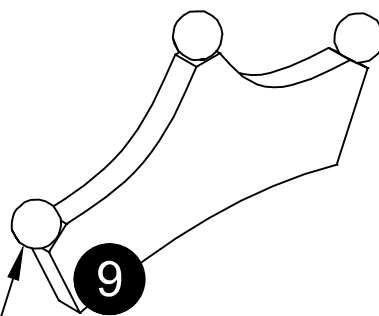
F

M8
x1

Assembly Instruction

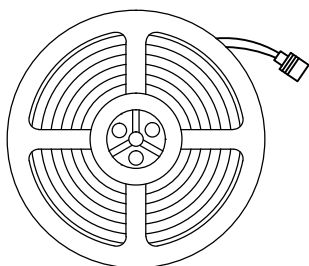


Please note that by opening the non-woven fabric behind component 1, there are remaining components inside



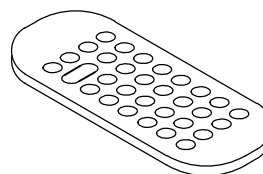
Detachable sphere: Prevent children from accidentally eating

LED light strip electronic accessories list



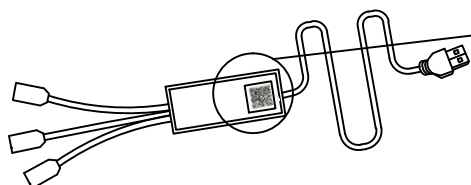
x2

Light strip



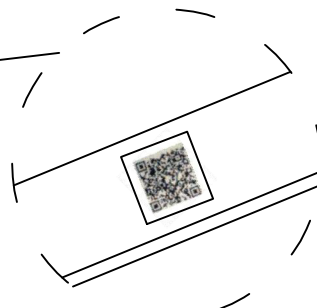
x1

Remote control



x1

Power cord

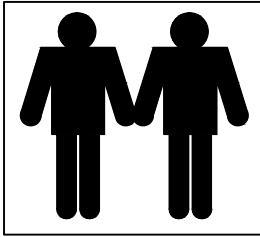


There is a two-dimensional code at the position of the power line. Scanning can download the APP for the control light

Assembly Instruction

Note:

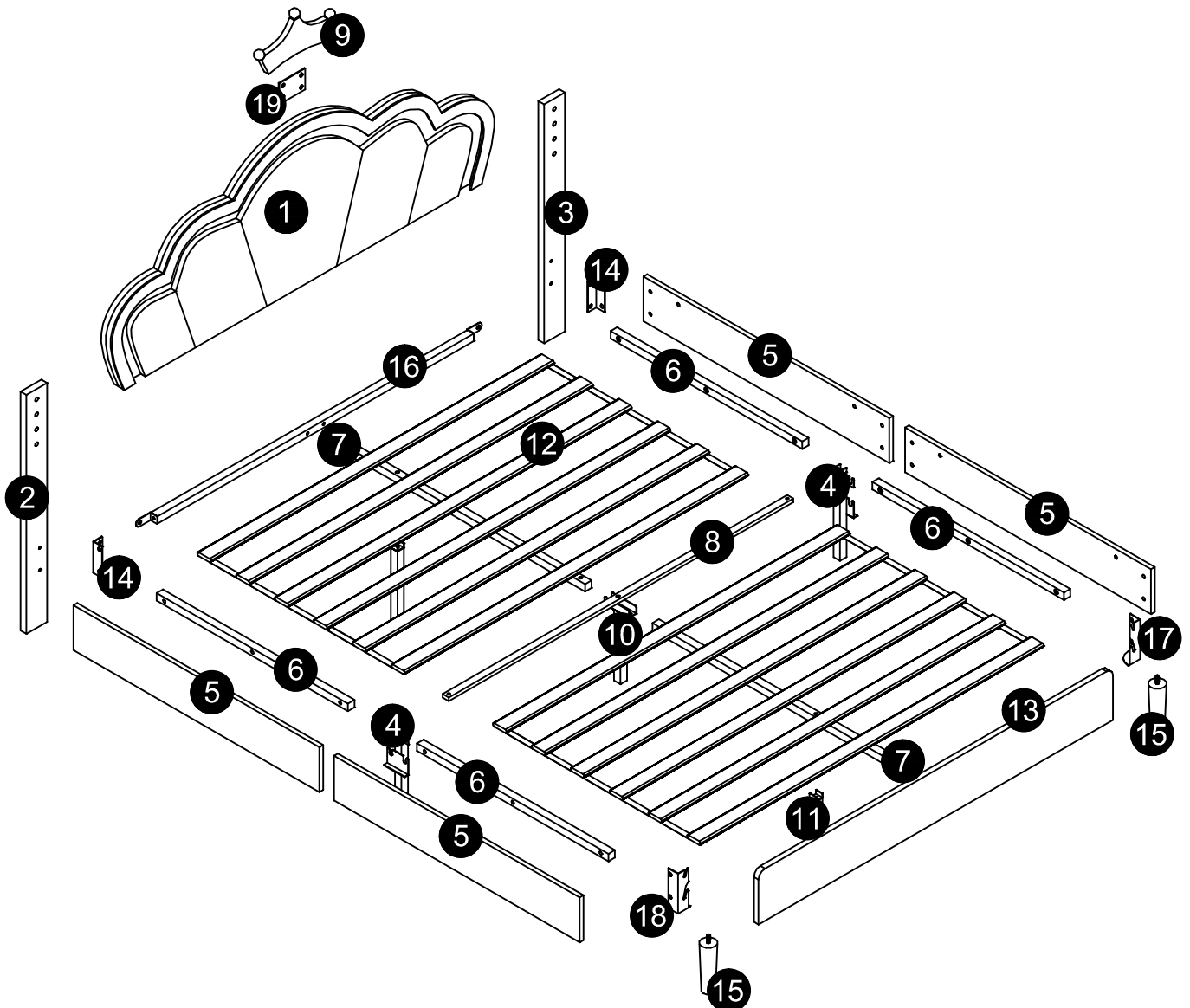
1. Should be assembled on flat ground to keep balance.
2. Before completing the installation, do not tighten the screws.



It needs at least two people to install !!



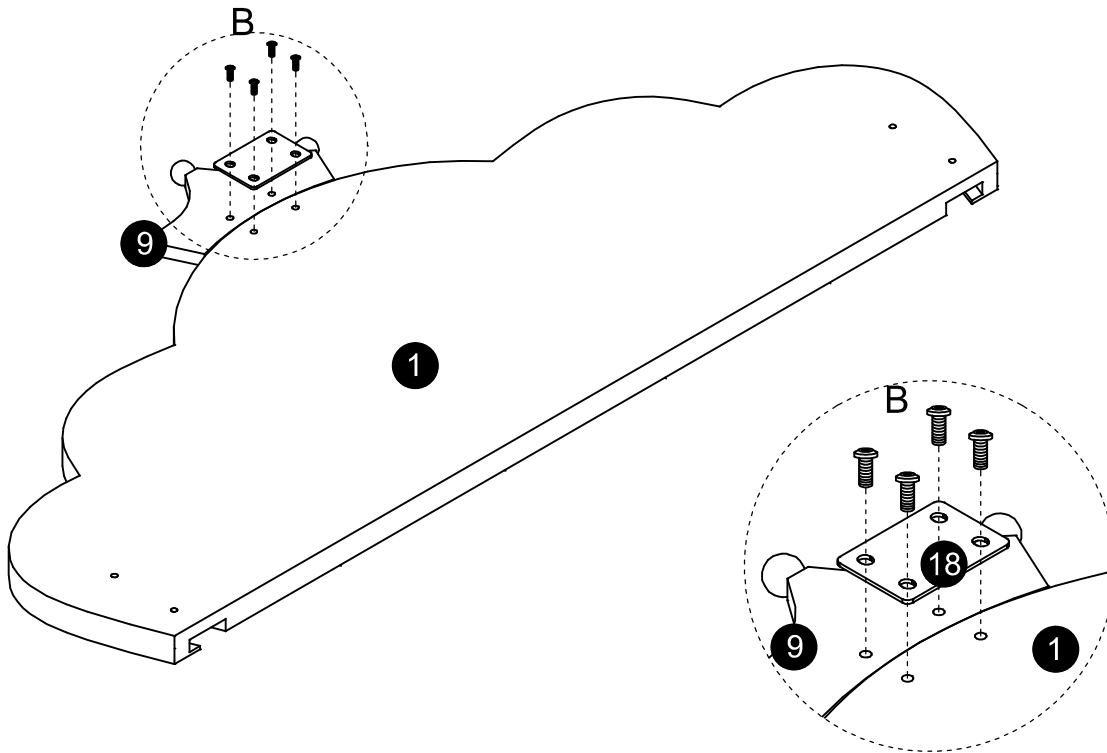
Before starting the assembly, you must read the whole manual and follow the instructions



Assembly Instruction

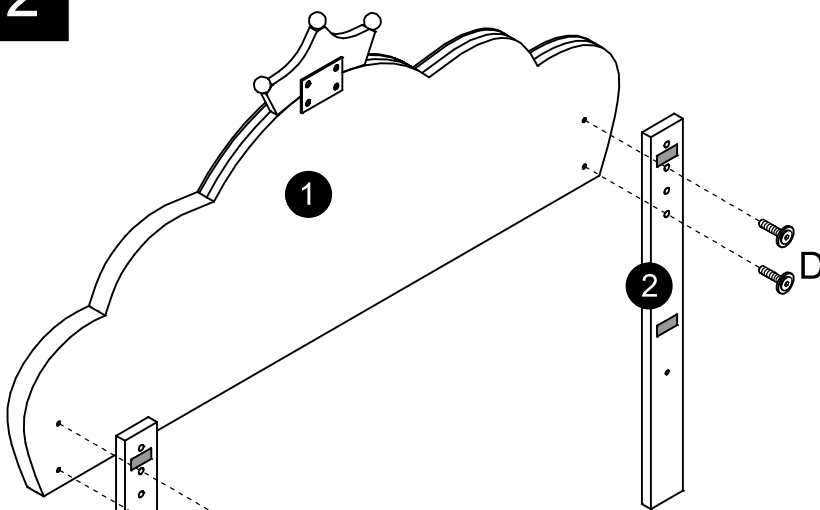
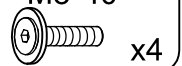
1

B M8*20

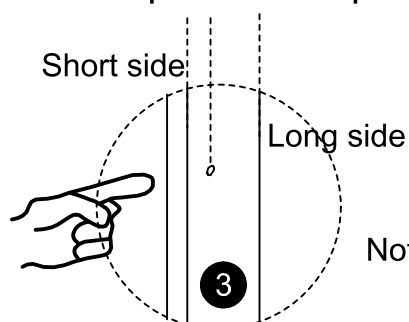
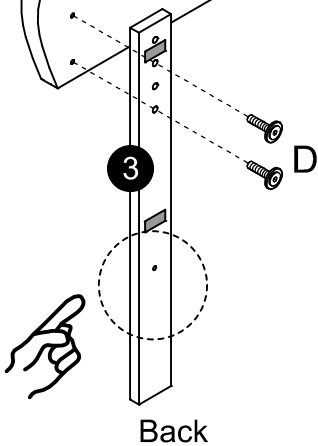


2

D M8*40



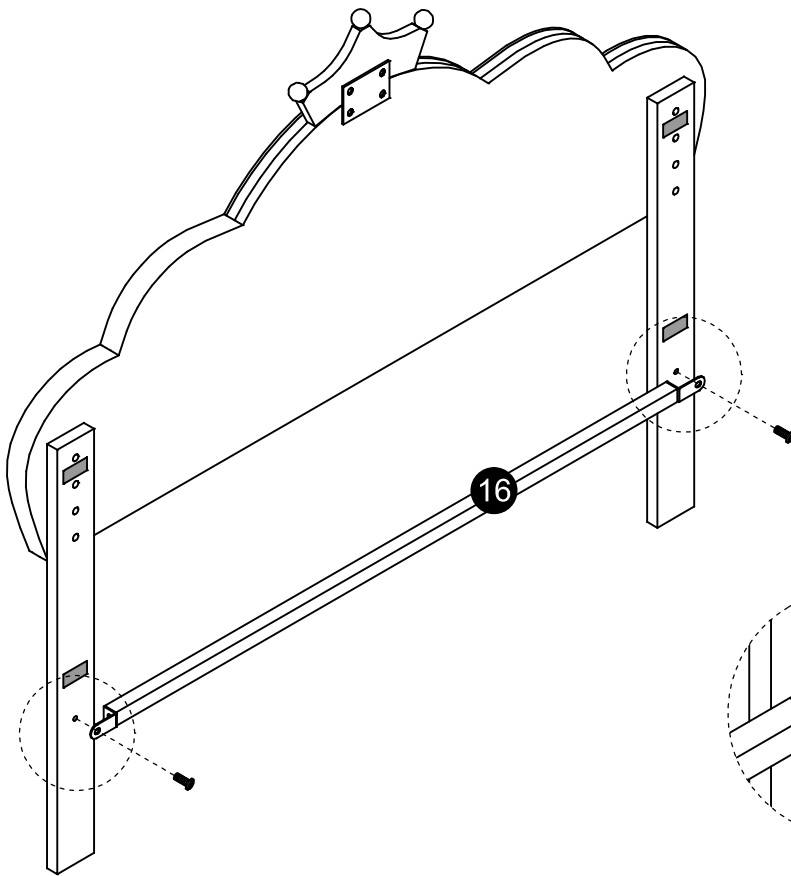
please lock position 1 and 3 for normal height
please lock position 2 and 4 for heightening



Note the hole distance

Assembly Instruction

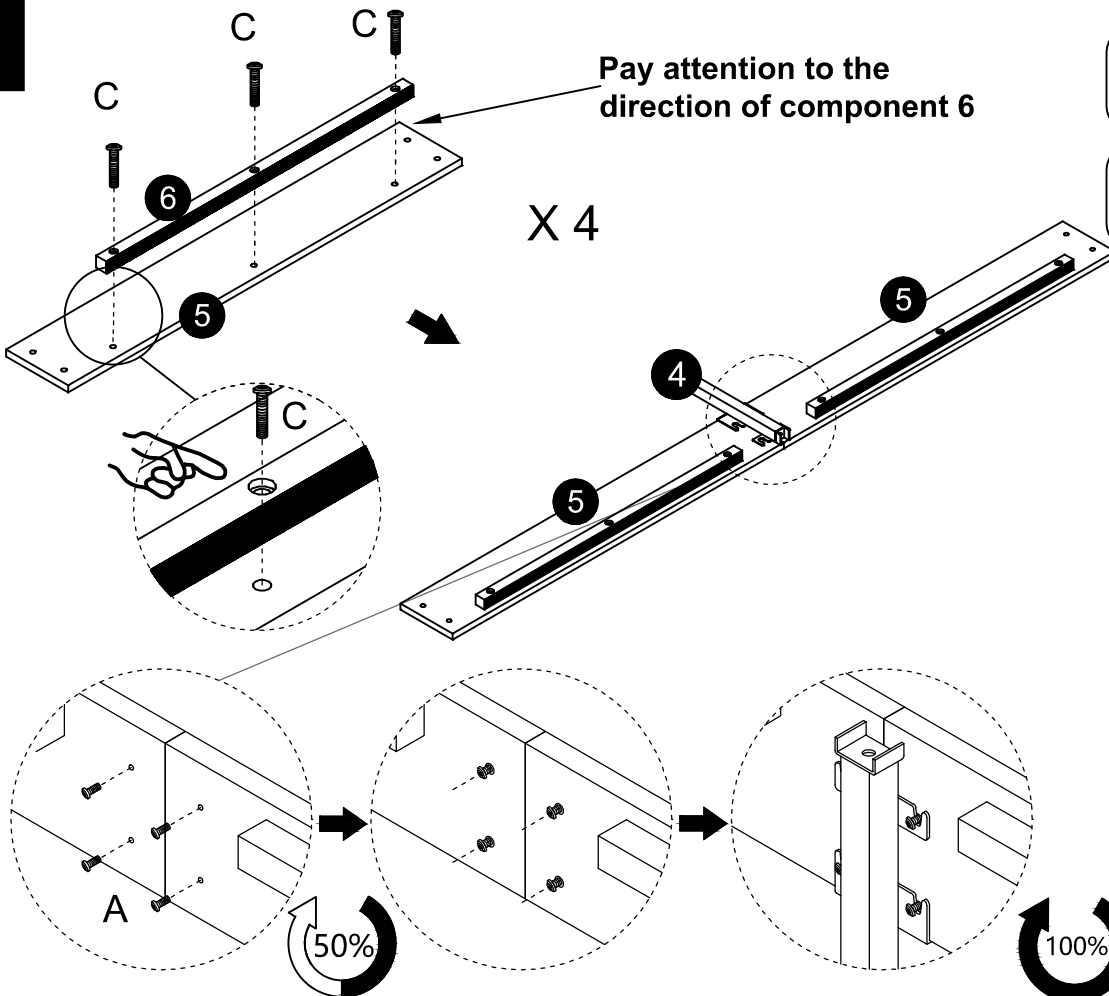
3



B M8*20

x2

4



Pay attention to the direction of component 6

X 4

A M8*15

x8

C M8*35

x12

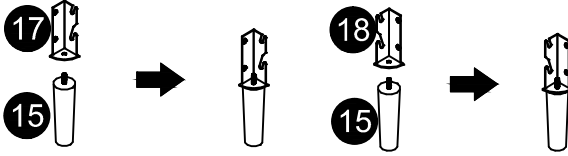
X 2

50%

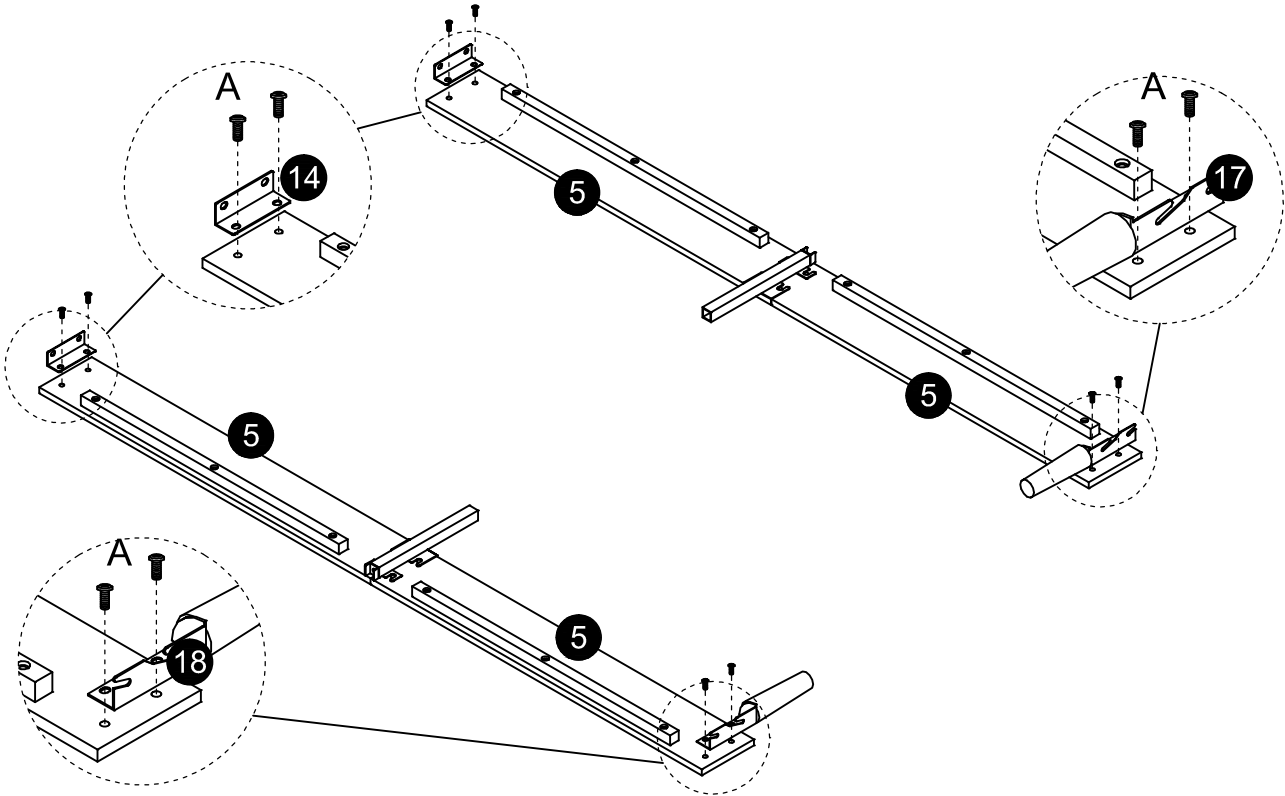
100%

Assembly Instruction

5

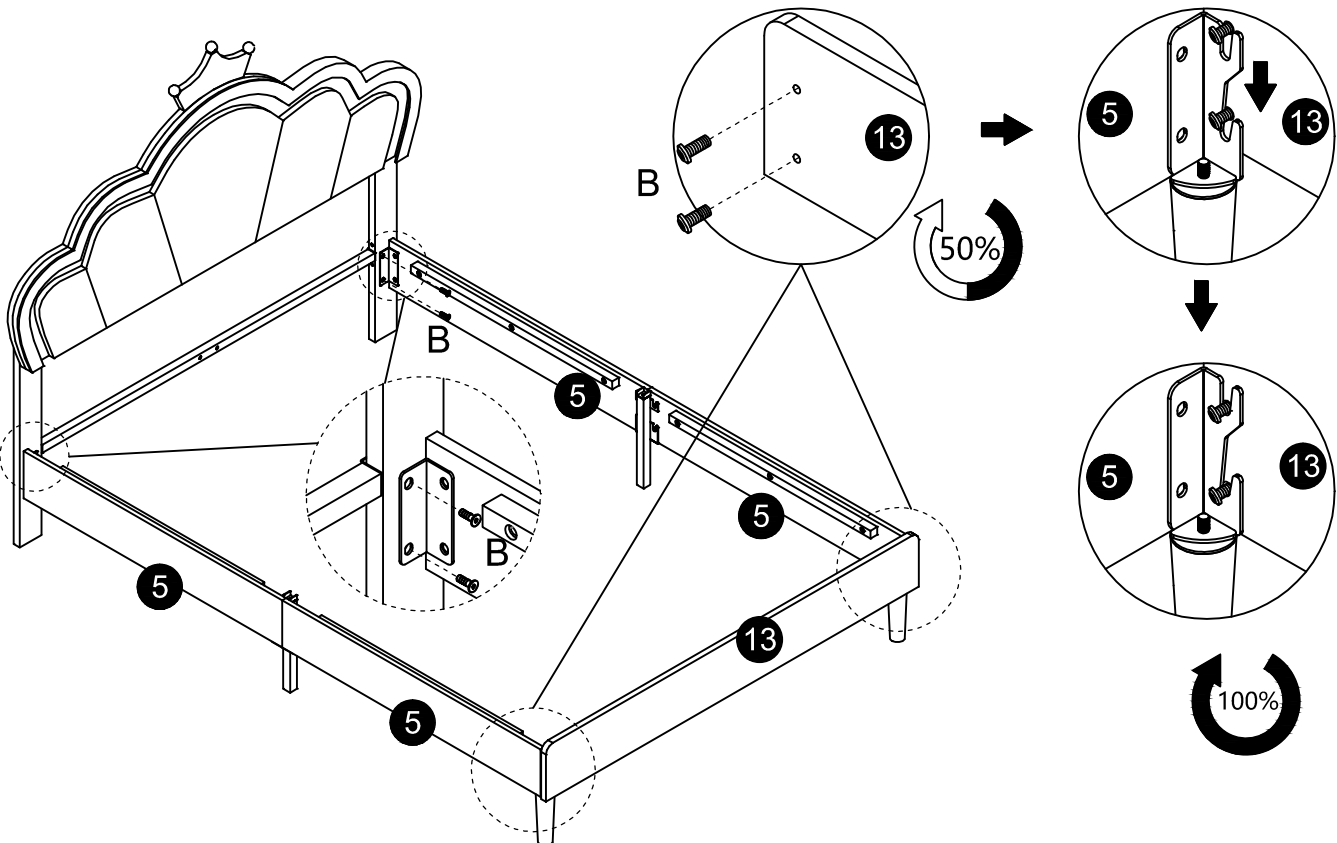


A M8*15
x8



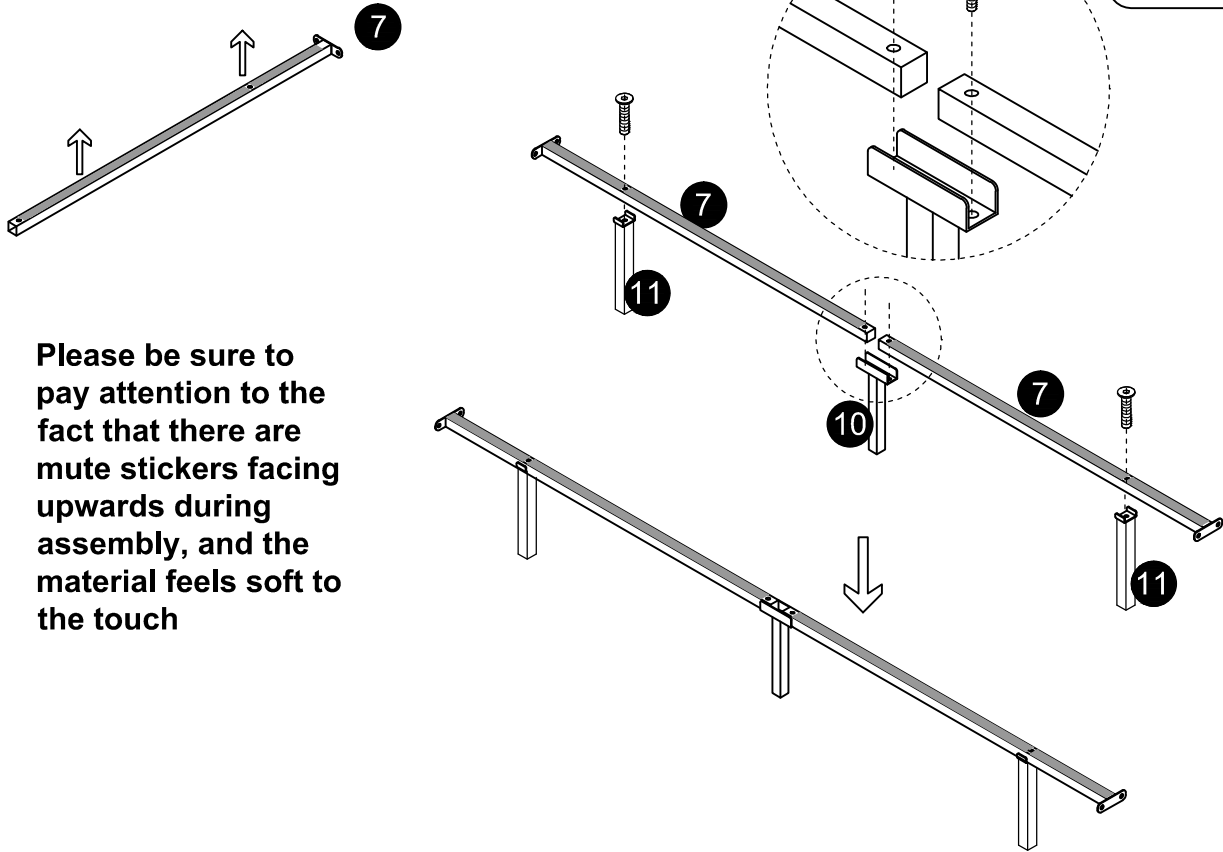
6

B M8*20
x8



Assembly Instruction

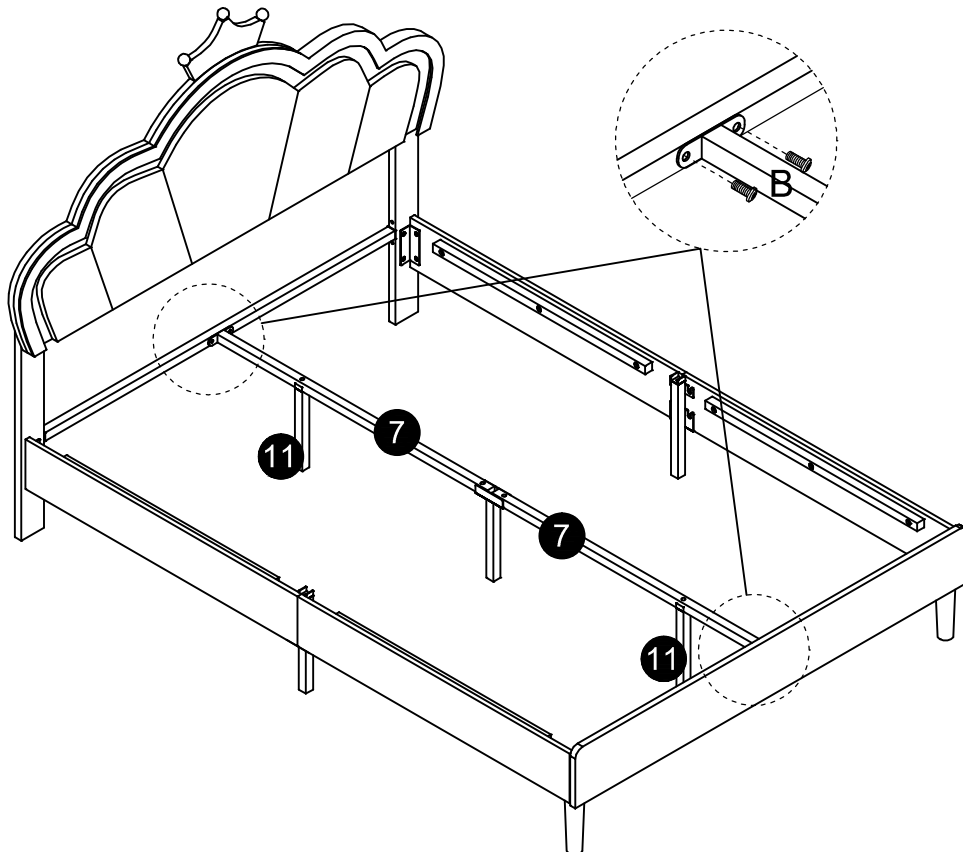
7



C M8*35
x4

Please be sure to pay attention to the fact that there are mute stickers facing upwards during assembly, and the material feels soft to the touch

8




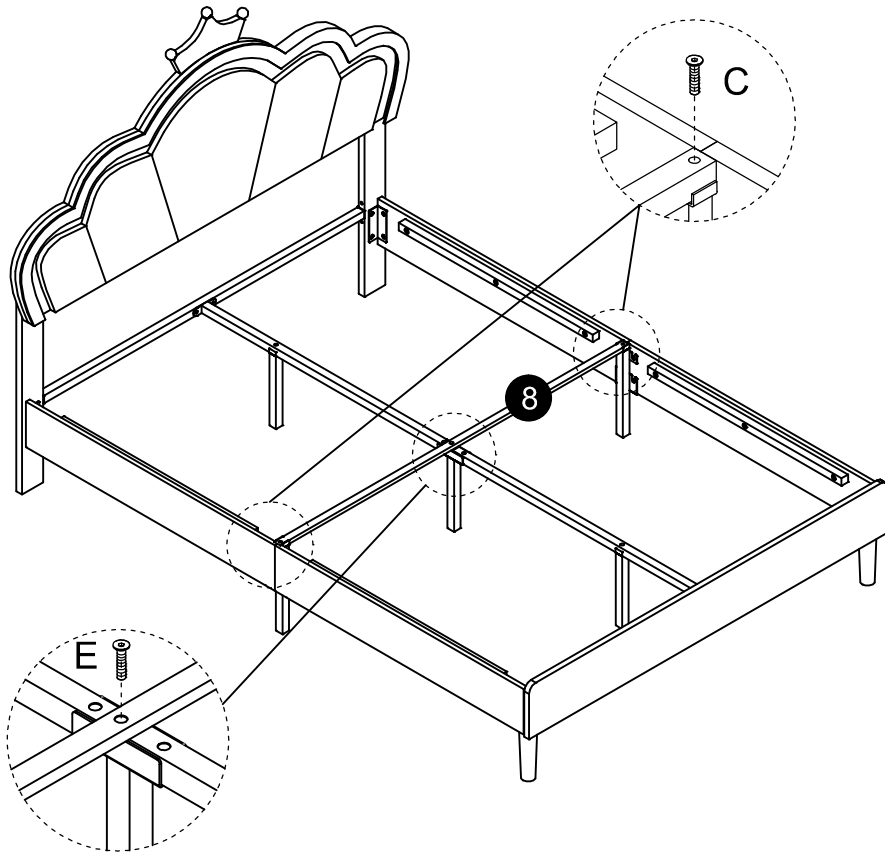
B M8*20
x4

Assembly Instruction

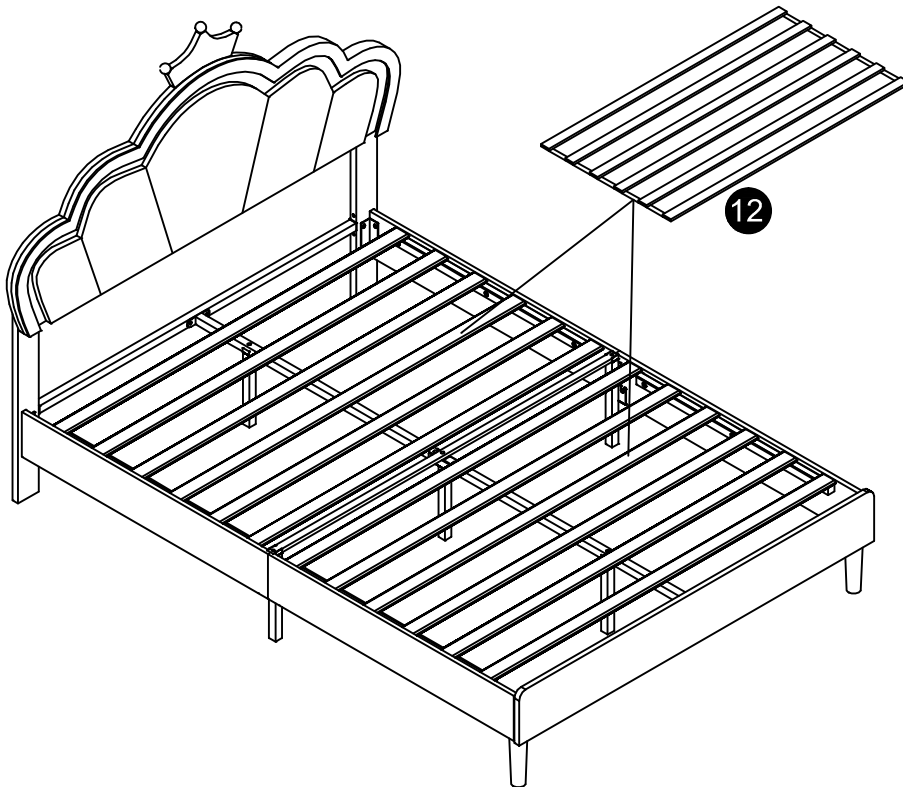
9

C M8*35
 x2

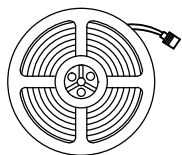
E M8*50
 x1



10



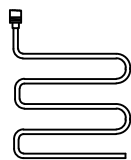
Assembly Instruction



light strip
X2

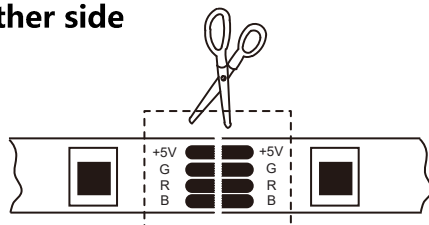


Pull out
and unfold



light strip

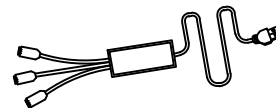
The unfolded light strip has a light strip surface on one side and a magic veneer on the other side



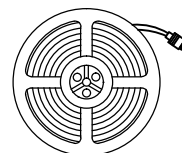
light bar

According to the actual length,
cut the excess light strip or keep it

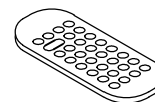
LED related accessories



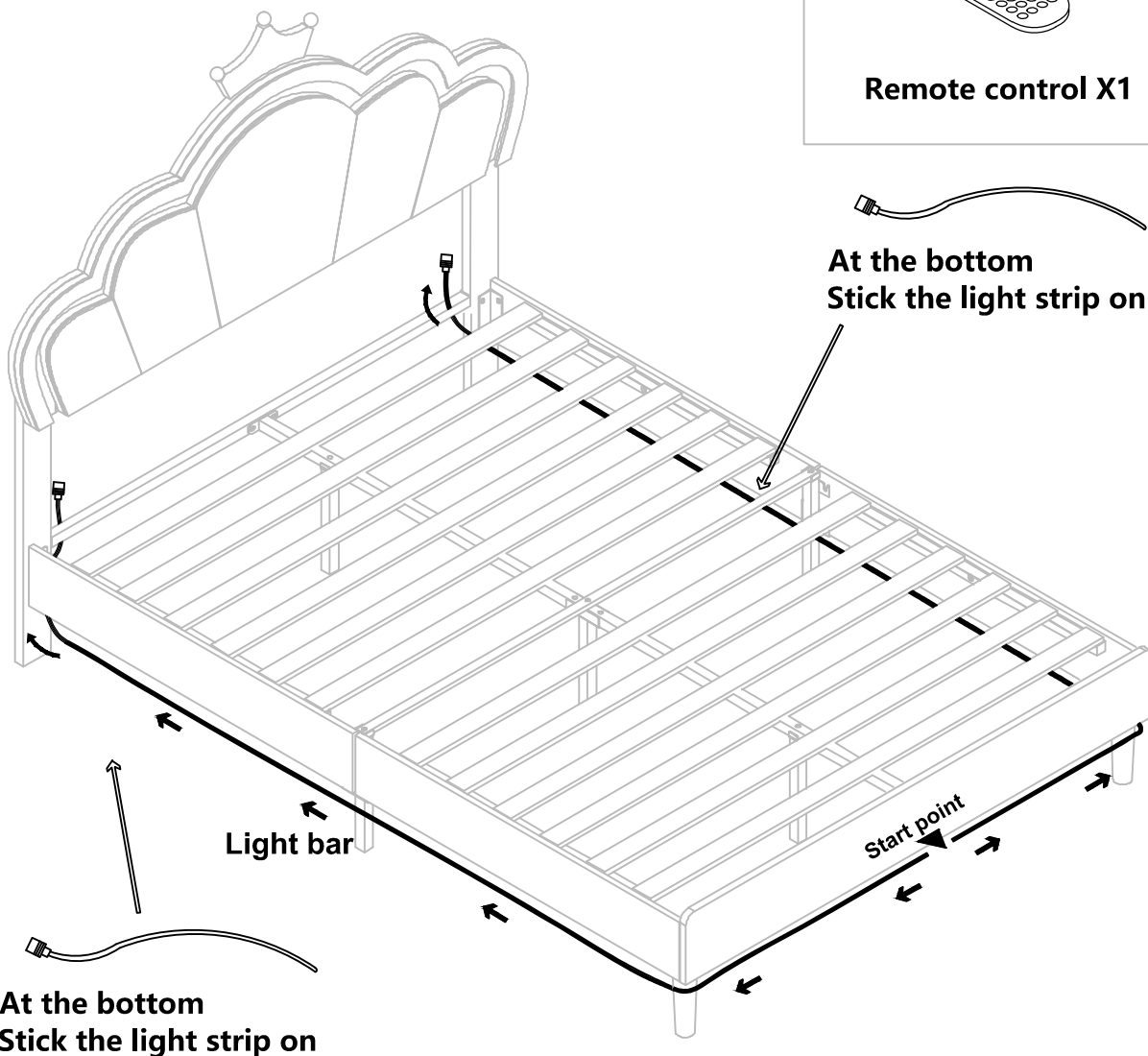
Power cord X1



Light bar X2



Remote control X1



At the bottom
Stick the light strip on

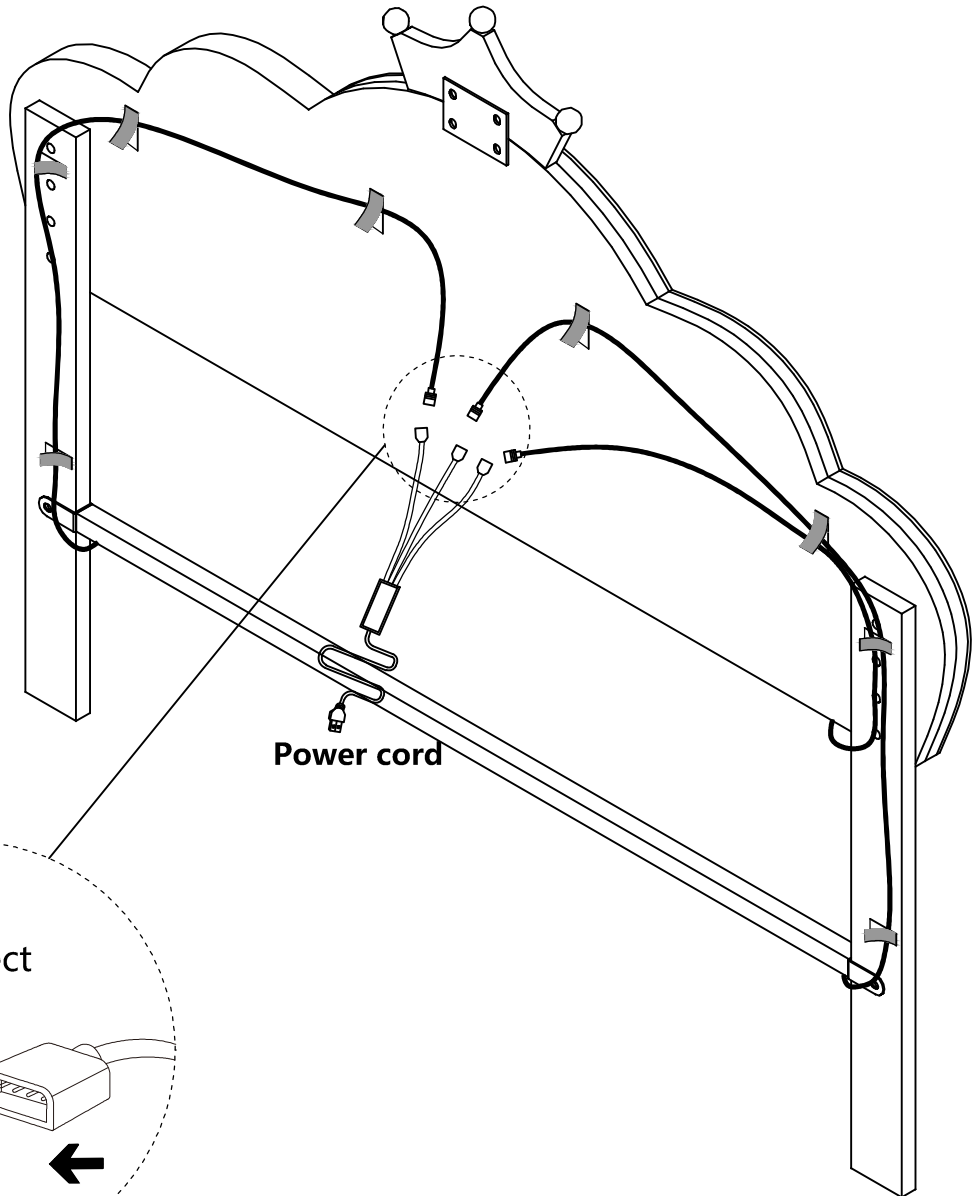
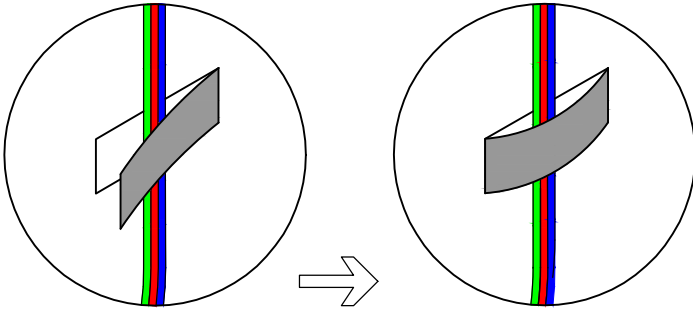
Light bar

At the bottom
Stick the light strip on

Assembly Instruction

Clip in the harness
Magic Band

Stick to



Power cord

