

# *ASSEMBLY INSTRUCTIONS*



## *SWIVEL GLIDER CHAIR*

## ASSEMBLY INSTRUCTIONS

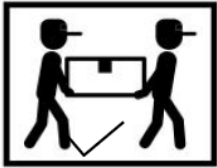
### ASSEMBLY TIPS:

- 1.Remove hardware from box and sort by size.
- 2.Please check to see that all hardware and parts are present prior to start of assembly.
- 3.Please follow attached instruction in the same sequence as numbered to assure fast & easy assembly.



### WARNING!

- 1.Don't attempt to repair or modify parts that are broken or defective. Please contact the store immediately.
- 2.This product is for home use only and not intended for commercial establishment.



ASSEMBLY TIME

1 MINUTE

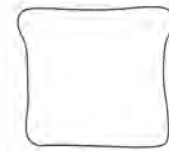
## PARTS IDENTIFICATION

CE ÓCÈJÒ



1 PC

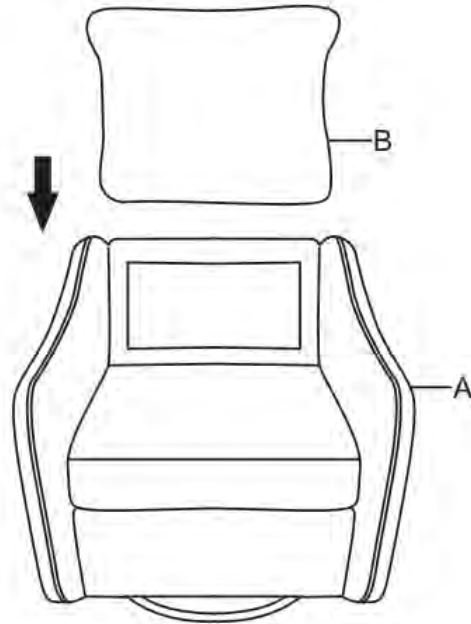
B BACK CUSHION



1 PC

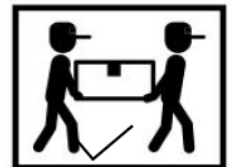
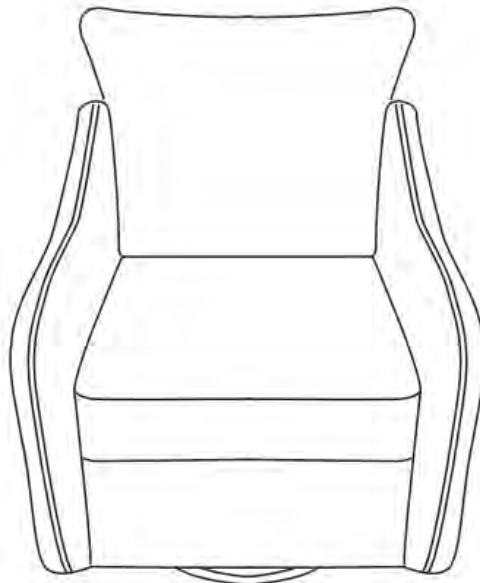
## ASSEMBLY INSTRUCTIONS

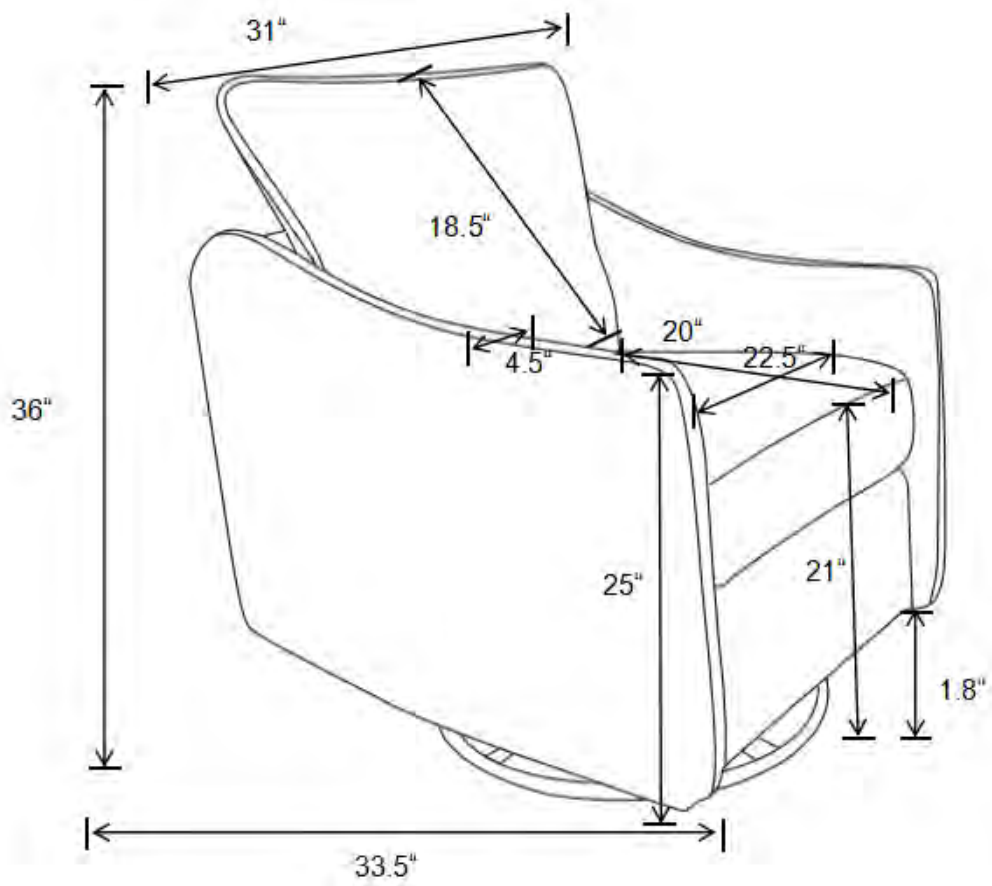
### STEP 1



---

### STEP 2 COMPLETED





Note : Dimension tolerance  $\pm 5\%$