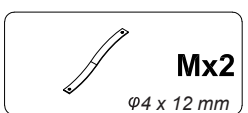
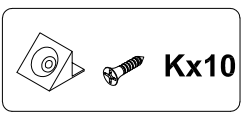
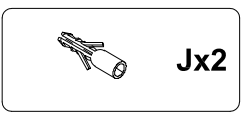
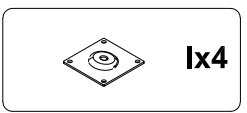
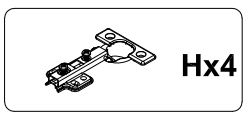
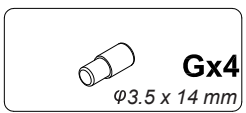
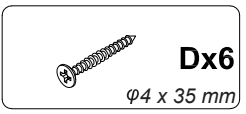
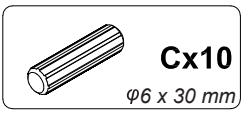
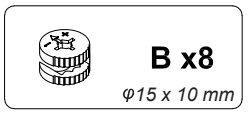
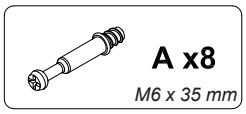
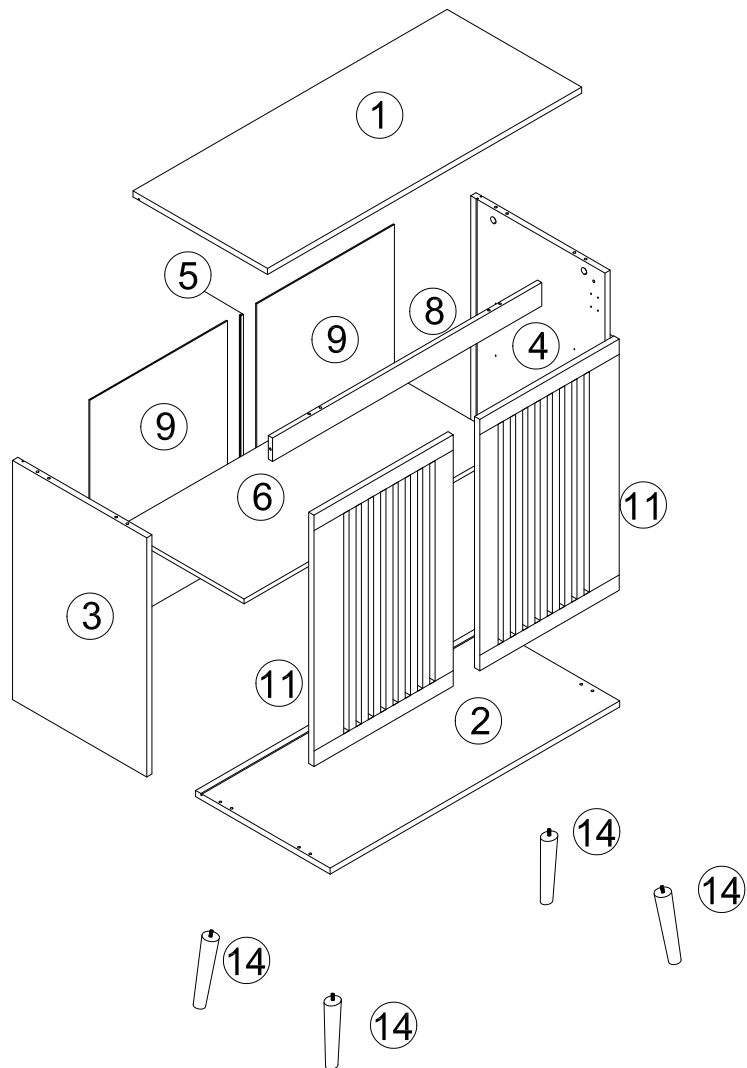
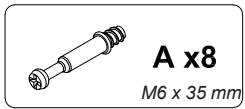
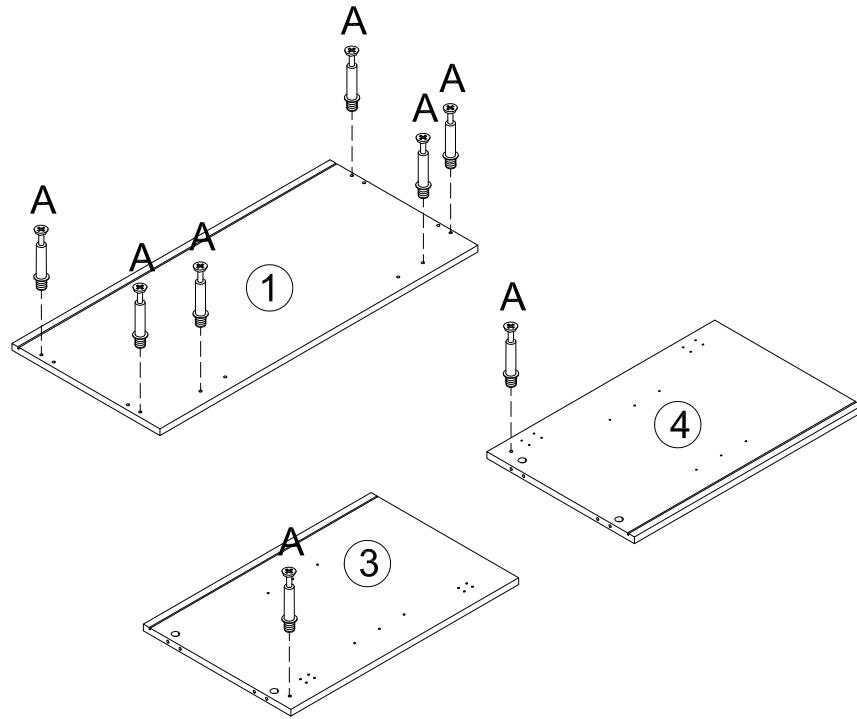
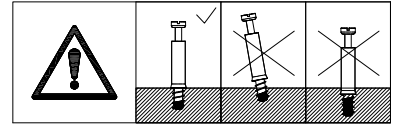


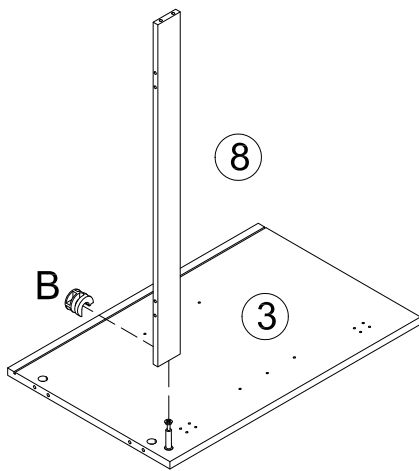
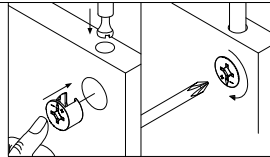
Installation instruction



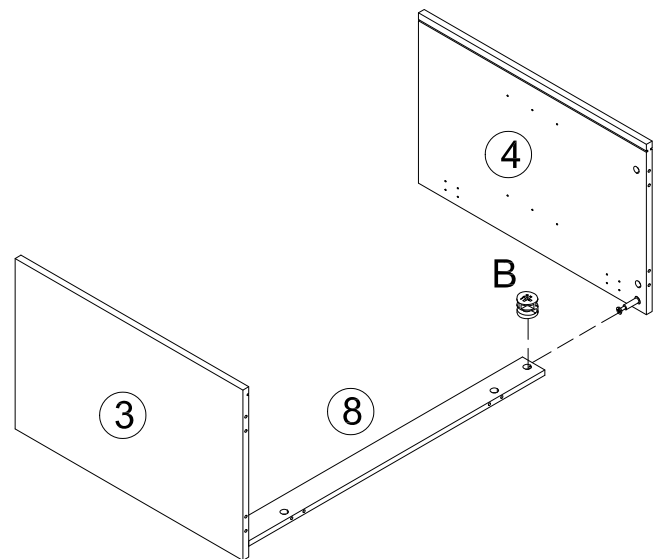
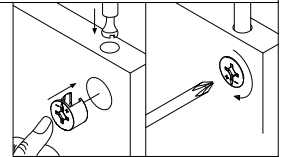
STEP 1



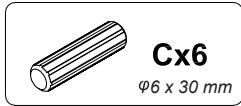
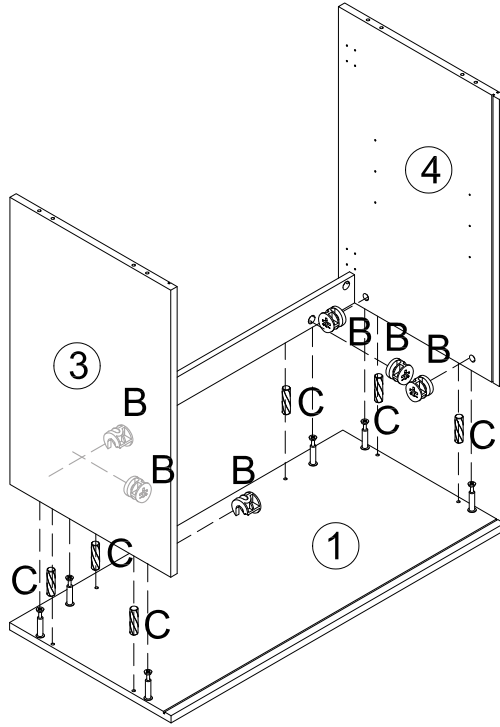
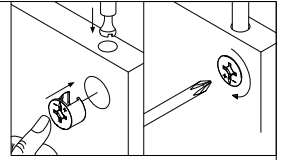
STEP 2



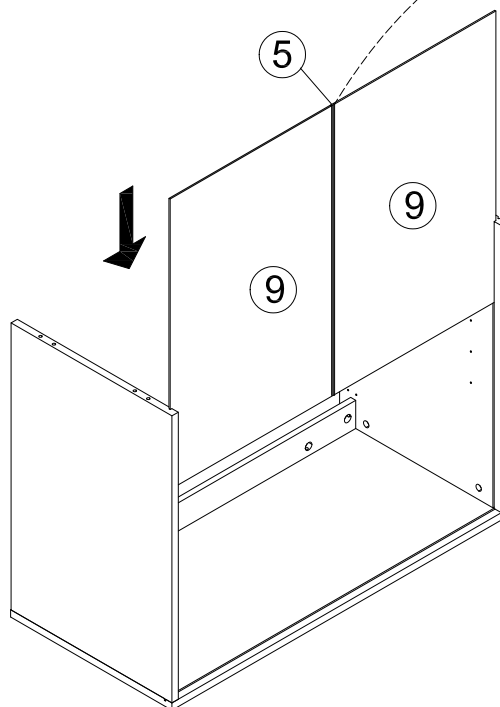
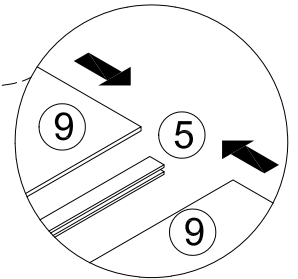
STEP 3



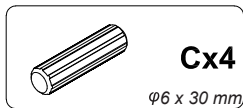
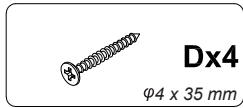
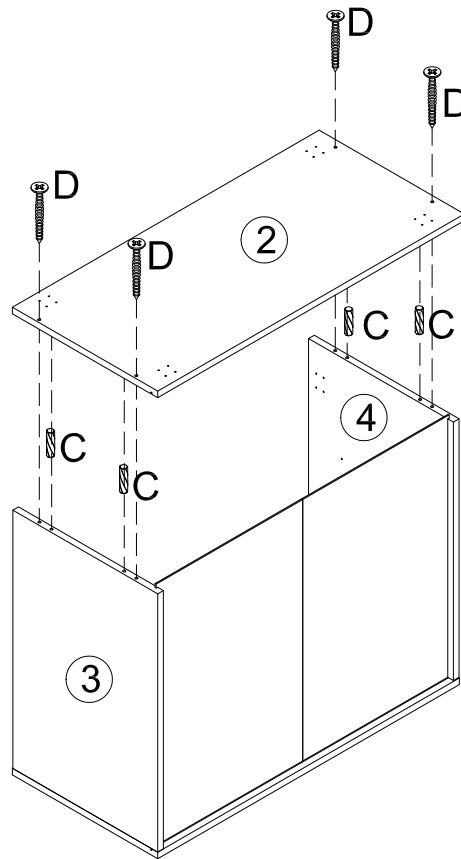
STEP 4



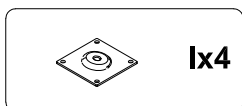
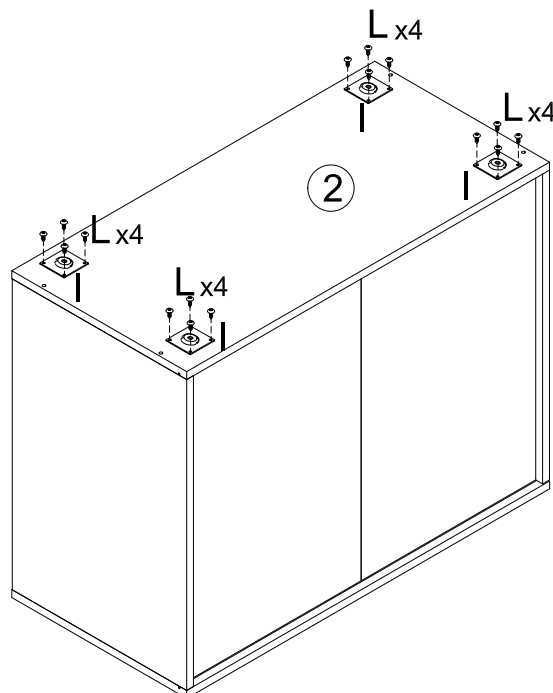
STEP 5



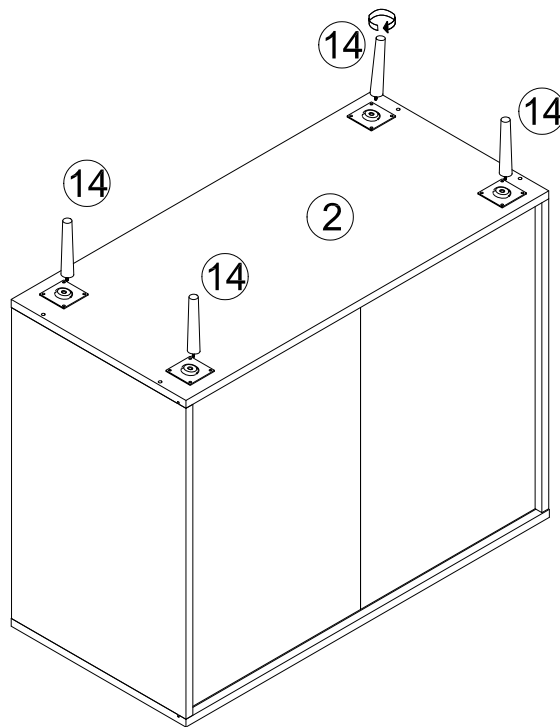
STEP 6



STEP 7

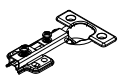
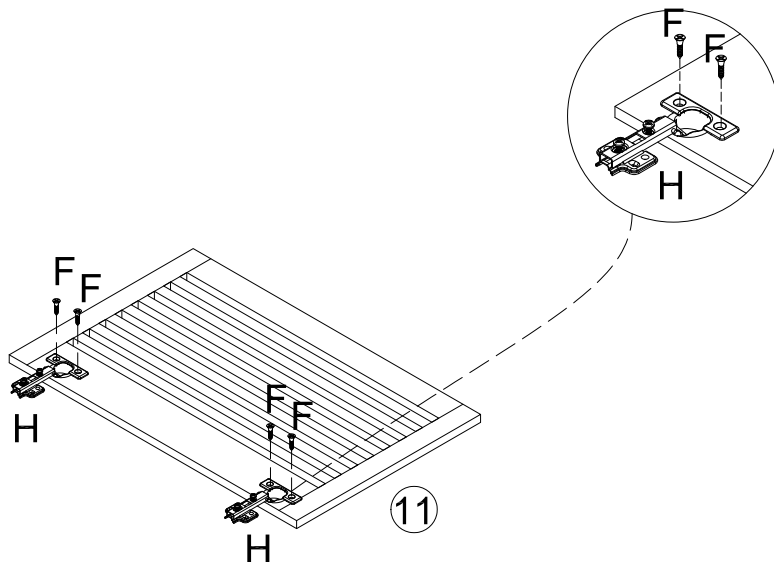


STEP 8



STEP 9

x2



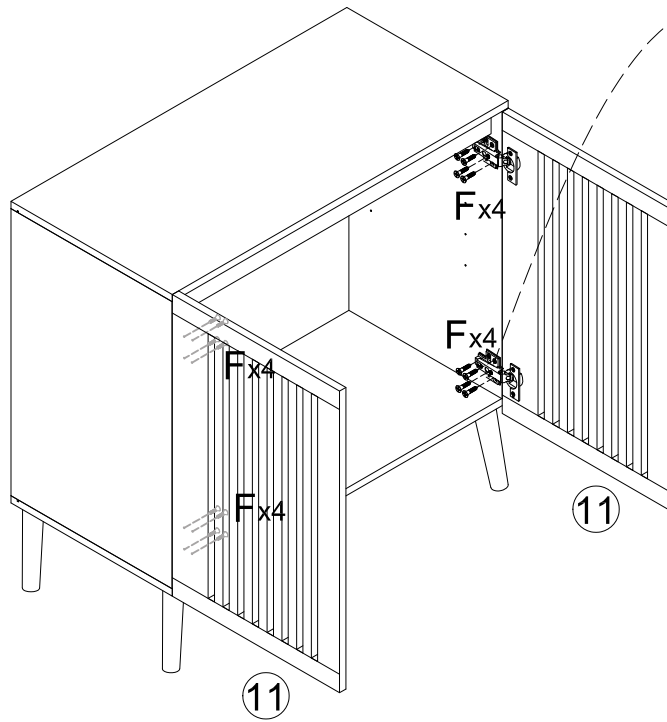
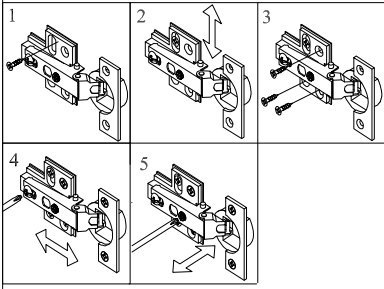
Hx4



Fx8

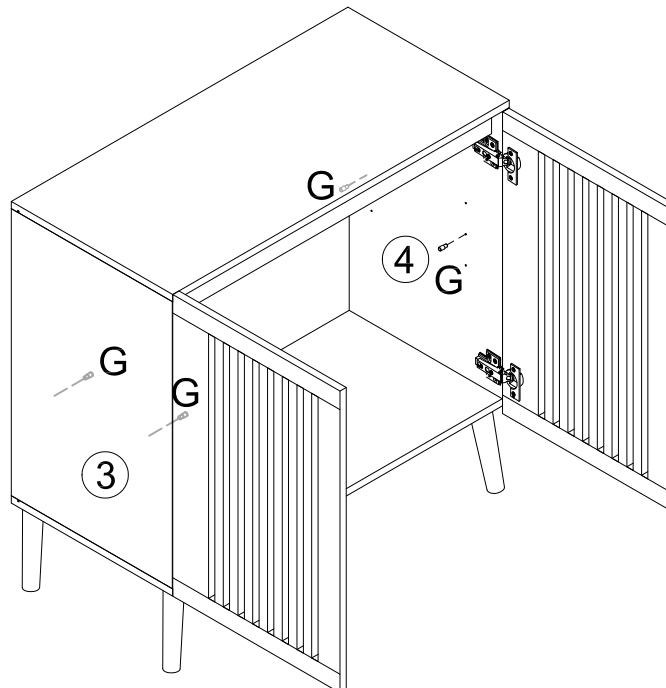
$\varnothing 3.5 \times 14 \text{ mm}$

STEP 10



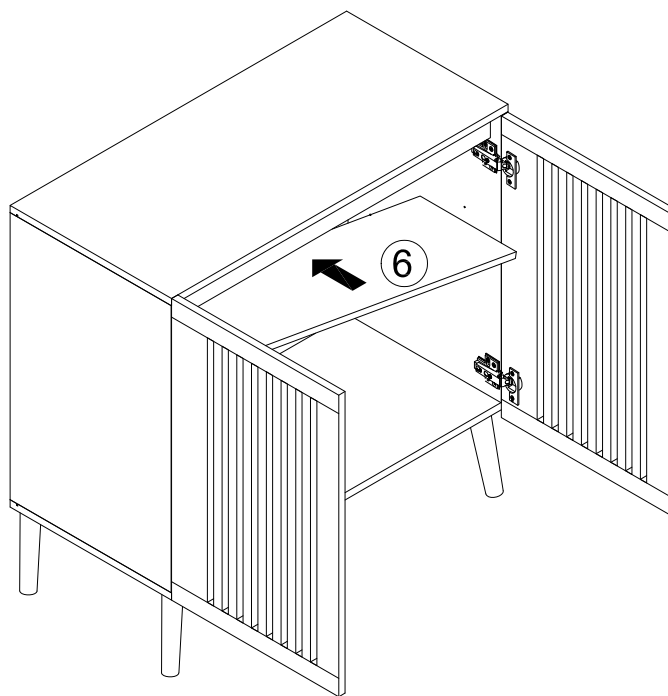
Fx16
 $\varnothing 3.5 \times 14 \text{ mm}$

STEP 11

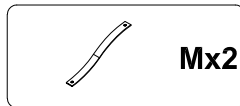
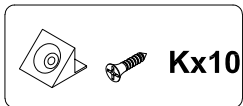
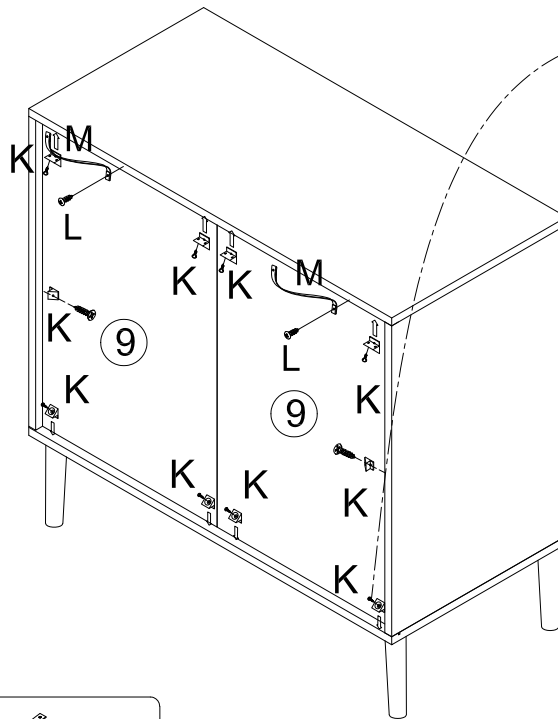
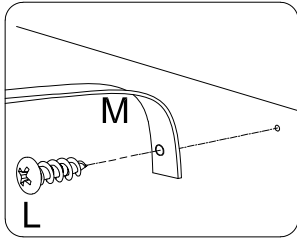


Gx4

STEP 12



STEP 13



STEP 14

