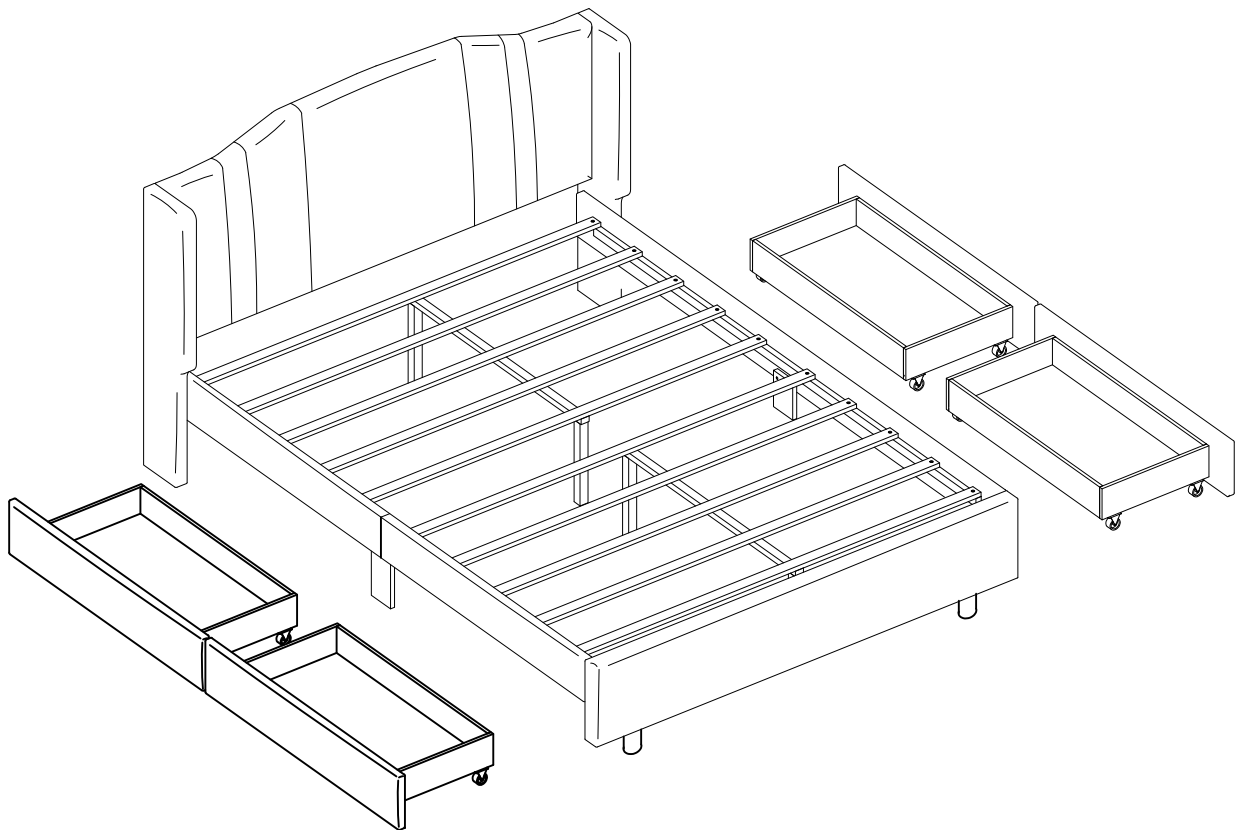
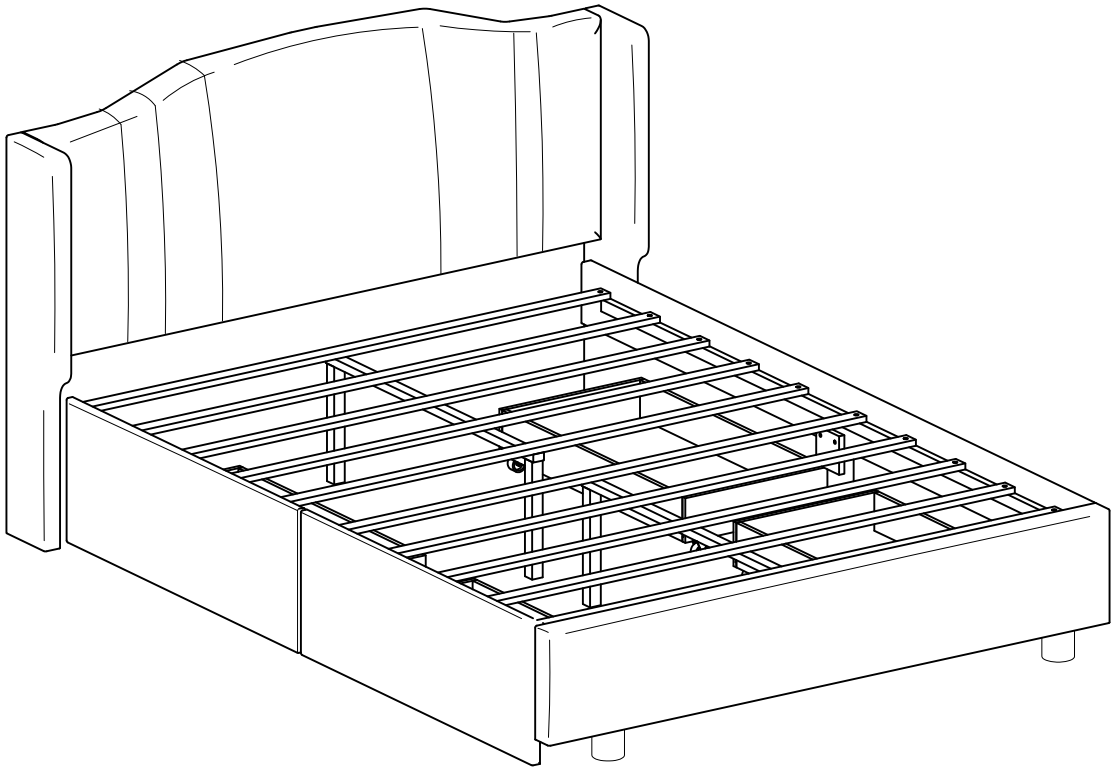
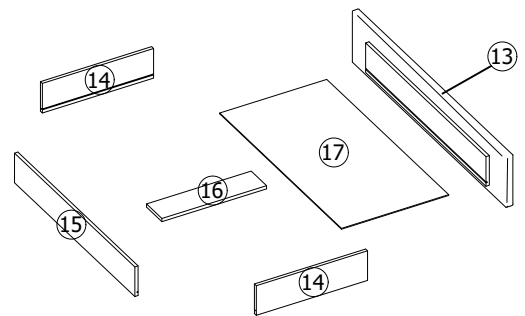
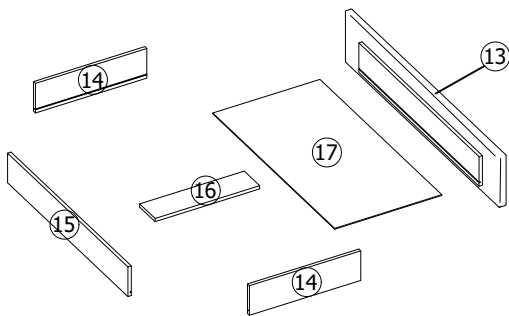
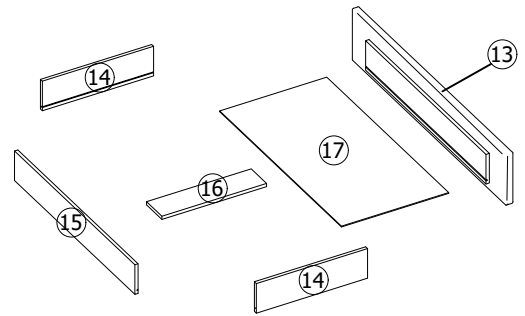
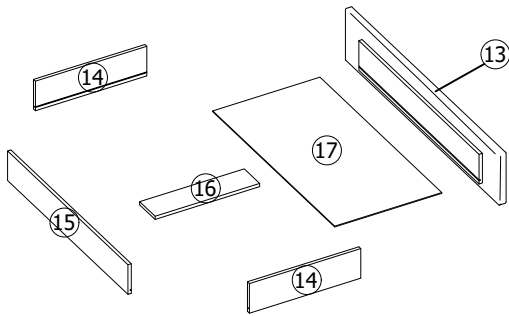
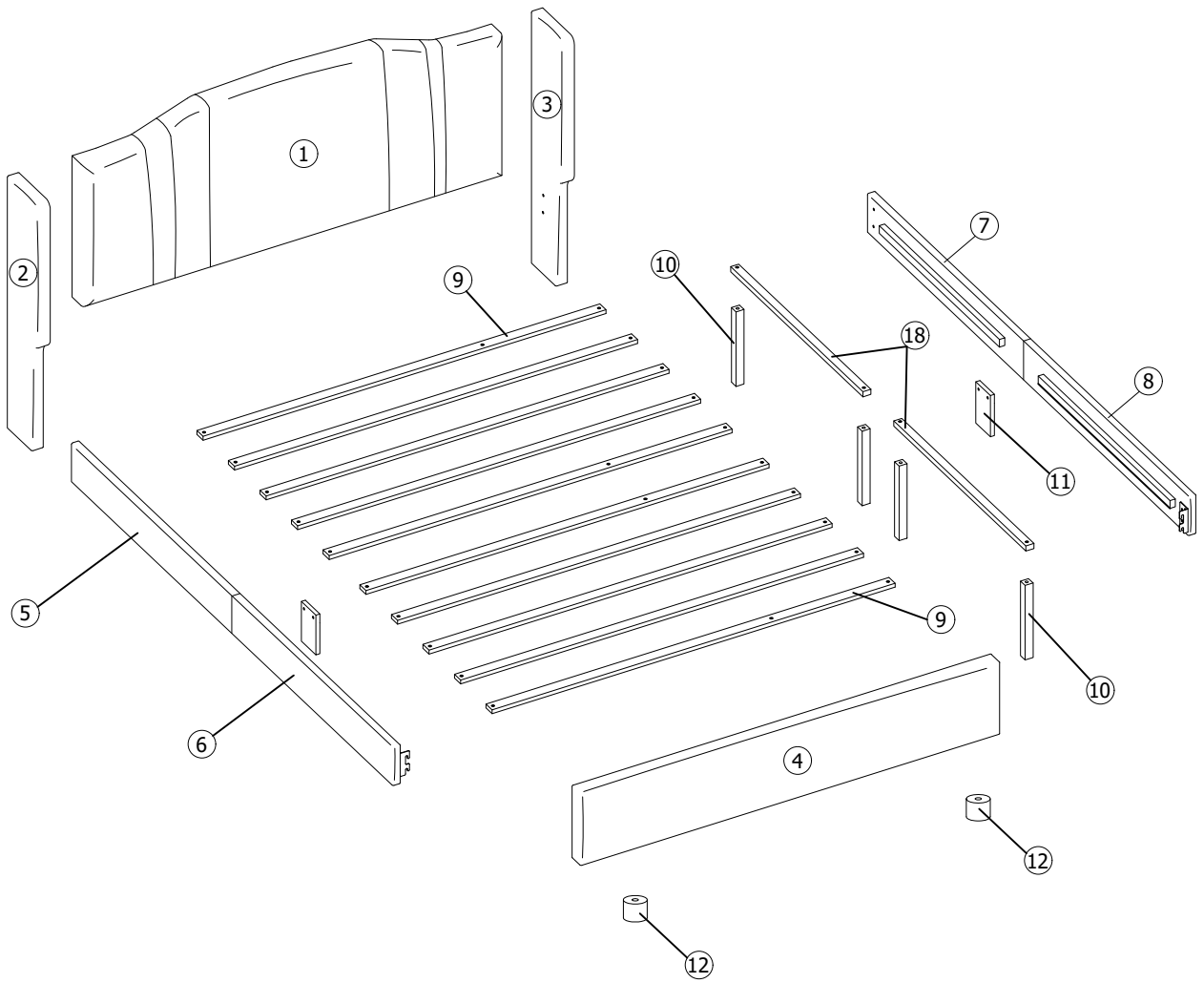


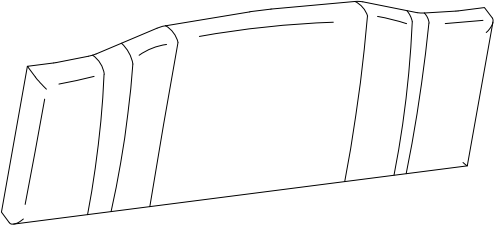
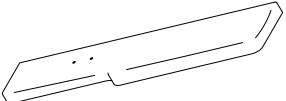
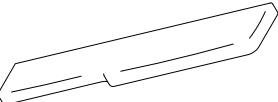
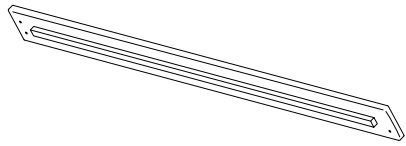
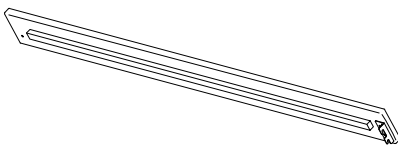
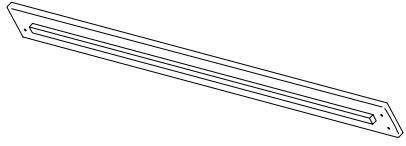


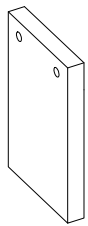
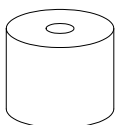
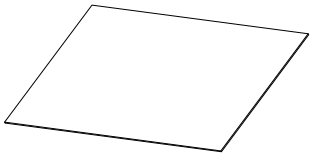

ASSEMBLY INSTRUCTION

SKU CODE: WF315171/WF315172

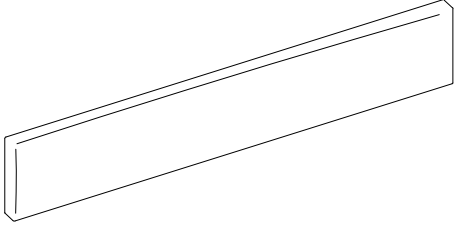
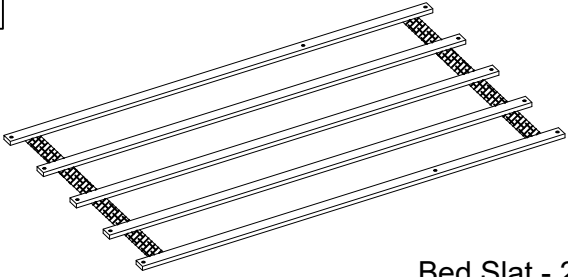

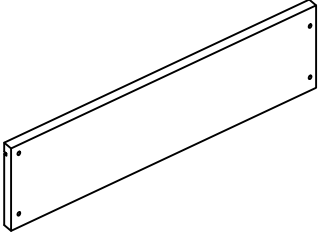
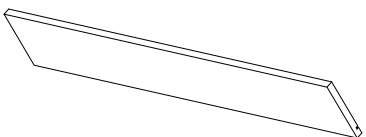





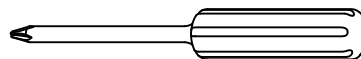
Part List: WF315171

<p>1</p>  <p>Headboard-1pc</p>	<p>2</p>  <p>Headboard left leg - 1pc</p>
<p>3</p>  <p>Headboard right leg - 1pc</p>	<p>5</p>  <p>(L) Side rail Head-1pc</p>
<p>6</p>  <p>(L)Side rail Foot-1pc</p>	<p>7</p>  <p>(R)Side rail Head-1pc</p>
<p>8</p>  <p>(R)Side rail Foot-1pc</p>	<p>10</p>  <p>Slat Support - 4 pcs</p>
<p>11</p>  <p>Center Leg - 2pcs</p>	<p>12</p>  <p>Foot Leg - 2 pcs</p>
<p>17</p>  <p>Drawer base - 4pcs</p>	<p>18</p>  <p>Center Slat - 2pcs</p>

Part List: WF315172

<p>4</p>  <p>Footboard - 1pc</p>	<p>9</p>  <p>Bed Slat - 2pcs</p>
<p>13</p>  <p>Drawer head - 4pcs</p>	<p>14</p>  <p>Drawer side - 8pcs</p>
<p>15</p>  <p>Drawer back - 4pcs</p>	<p>16</p>  <p>Drawer support - 4pcs</p>

A  M8 x 40 Hex-head bolt (8pcs)	B  M8 Flat washer (12pcs)
C  M8 x 30 Hex-head bolt (8pcs)	D  M6 x 60 Hex-head bolt (6pcs)
E  M8 x 30mm Wood Dowel (8pcs)	F  M6 x13mm Hex-head bolt (2pcs)
G  M8 x 13mm Flat washer (6pcs)	H  Roller (16pcs)
I  Mini Fix Housing (8pcs)	J  Mini Fix Bolt (8pcs)
K  M3.5 x 16mm CSK Screw (32pcs)	L  M4 x 32mm CSK Screw (20pcs)
M  M4 x 38mm CSK Screw (32pcs)	N  M4 Allen key (1pc)
O  M5 Allen key (1pc)	



ASSEMBLY TOOLS REQUIRED (NOT INCLUDED)

Read this instruction carefully. See hardware and furniture part list for guidance. Be sure all parts are complete, before you assemble. Place all wooden furniture parts on a clean and flat soft surface to prevent from being scratched.

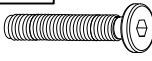

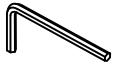
Follow the figure to start assembling.

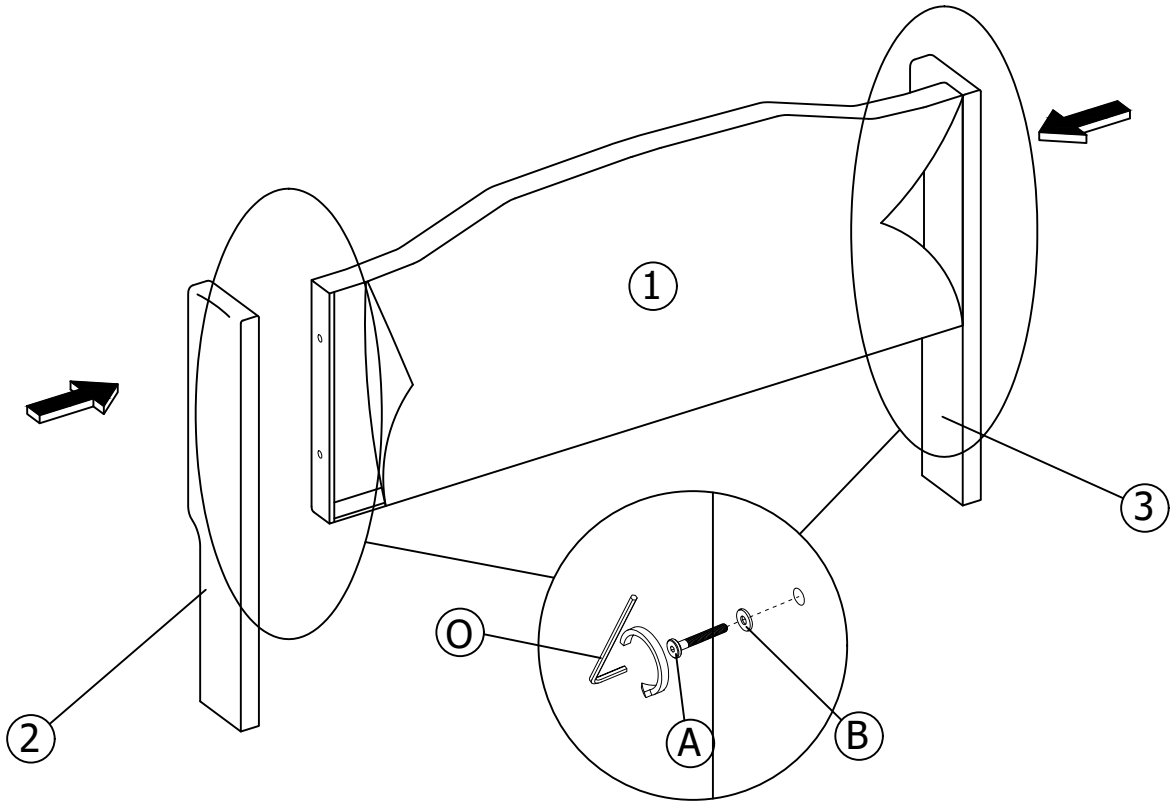
CAUTIONS :

1. Do not FULLY - TIGHTEN the nut or nut bolt until all nut or bolt is ready assembled.
2. Do not OVER - TIGHTEN the nut or bolt to avoid causing damages to the thread.
3. Keep all hardware parts out of reach of children.

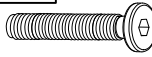
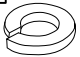

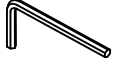
NOTE : THE LIST AND QUANTITY SHOWN ARE FOR 1 UNIT ASSEMBLY.

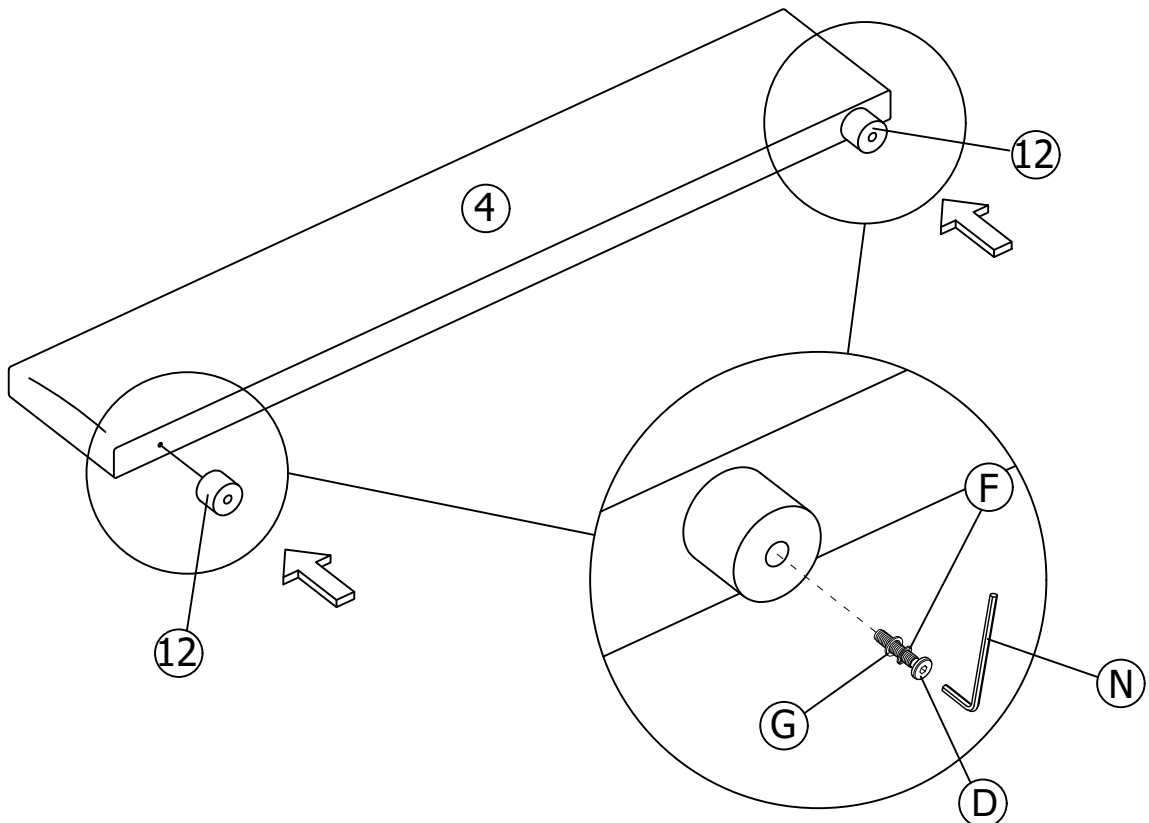
STEP 1

A		B		O	
4pcs		4pcs		1pc	



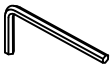


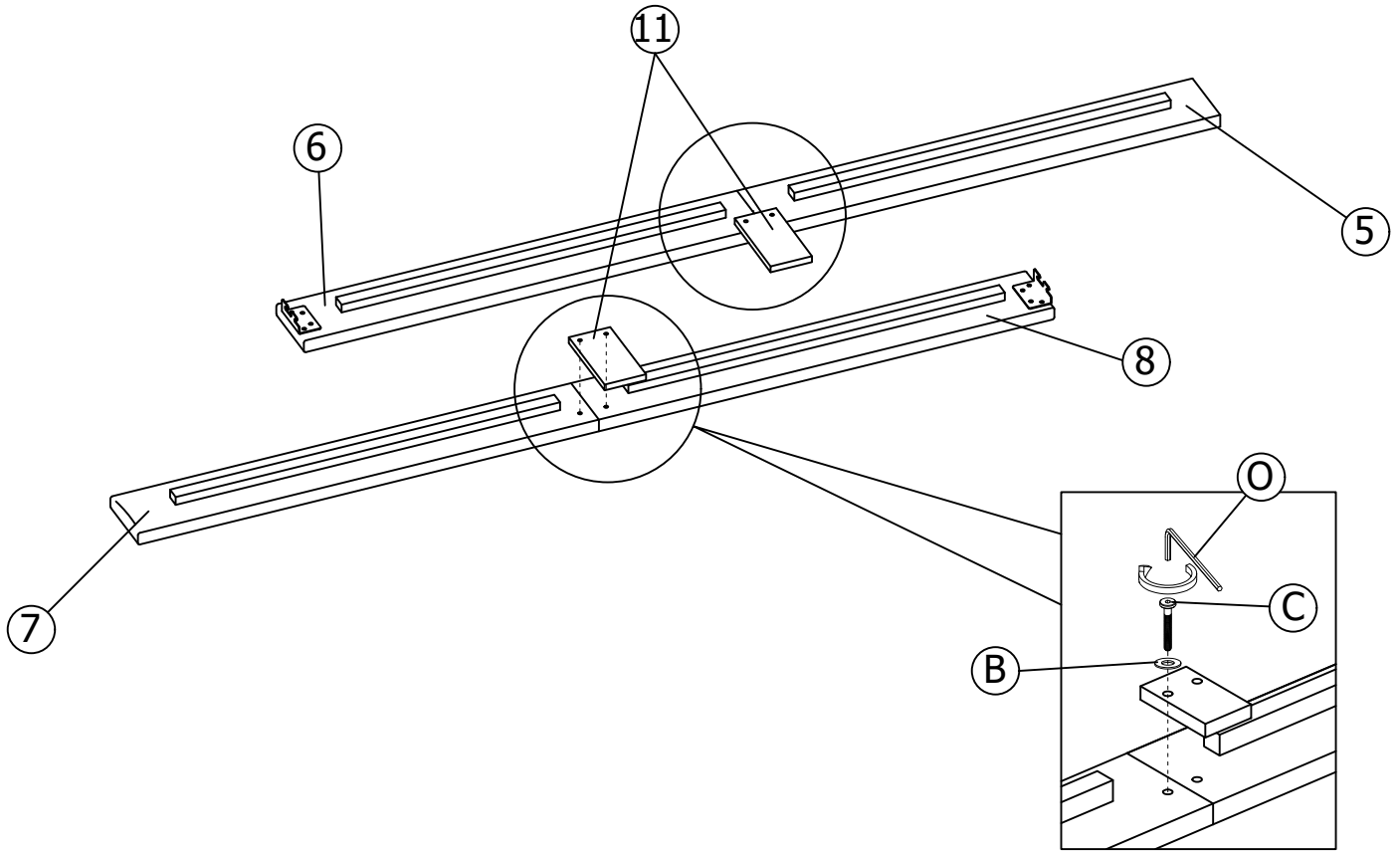
STEP 2

D		F		G		N	
2pcs		2pcs		2pcs		1pc	



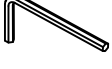


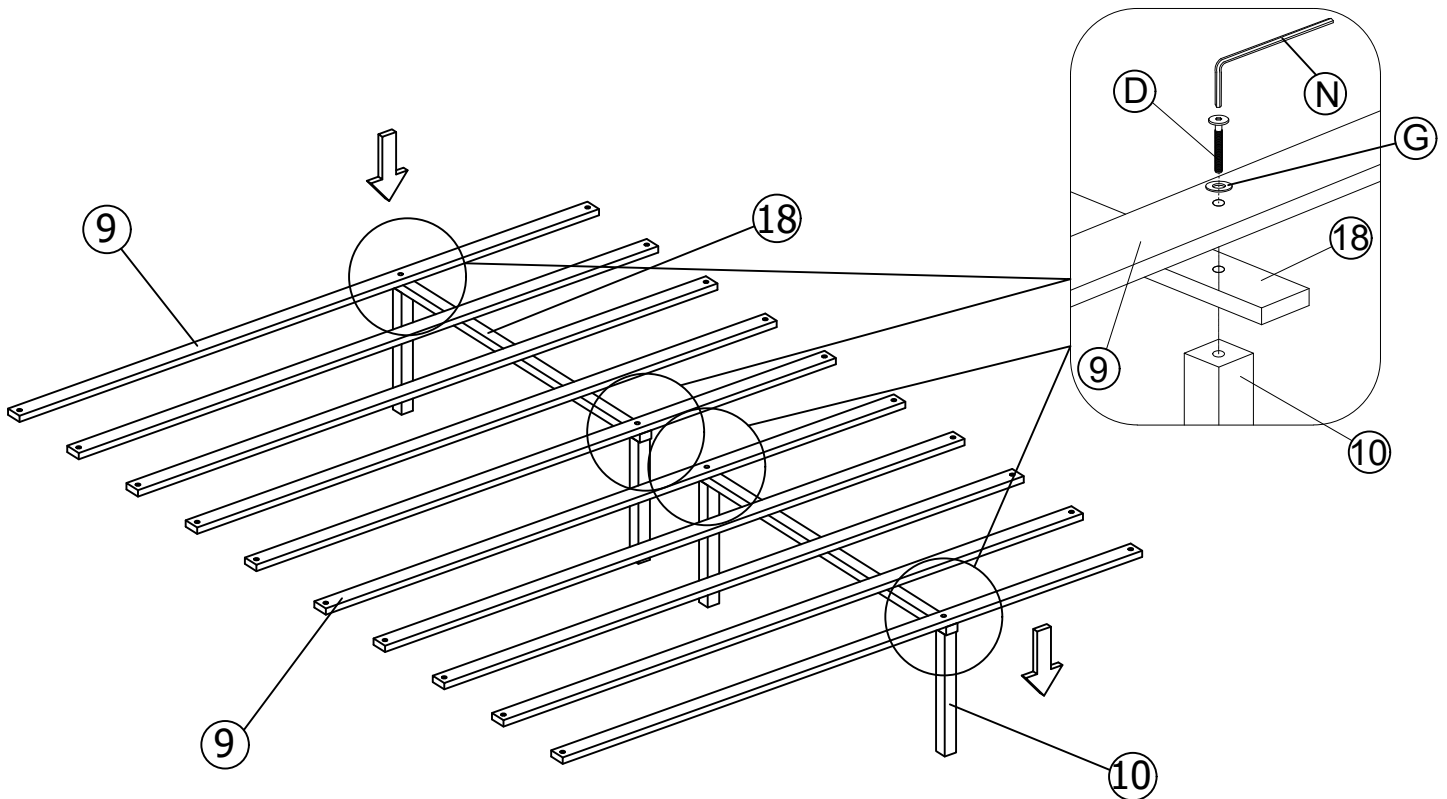
STEP 3

B	C	O
		
4pcs	4pcs	1pc




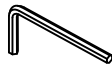


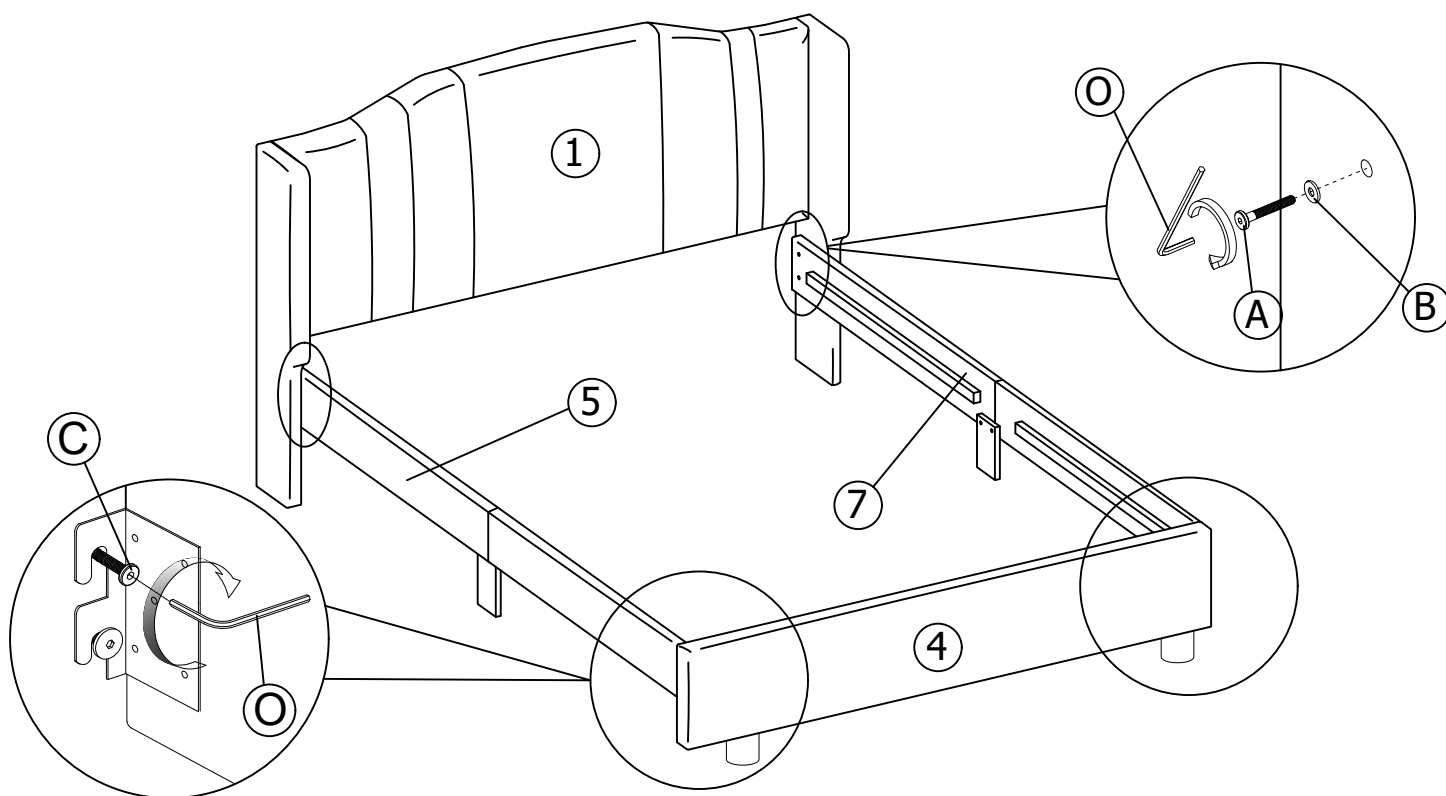
STEP 4

D	G	N
		
4pcs	4pcs	1pc




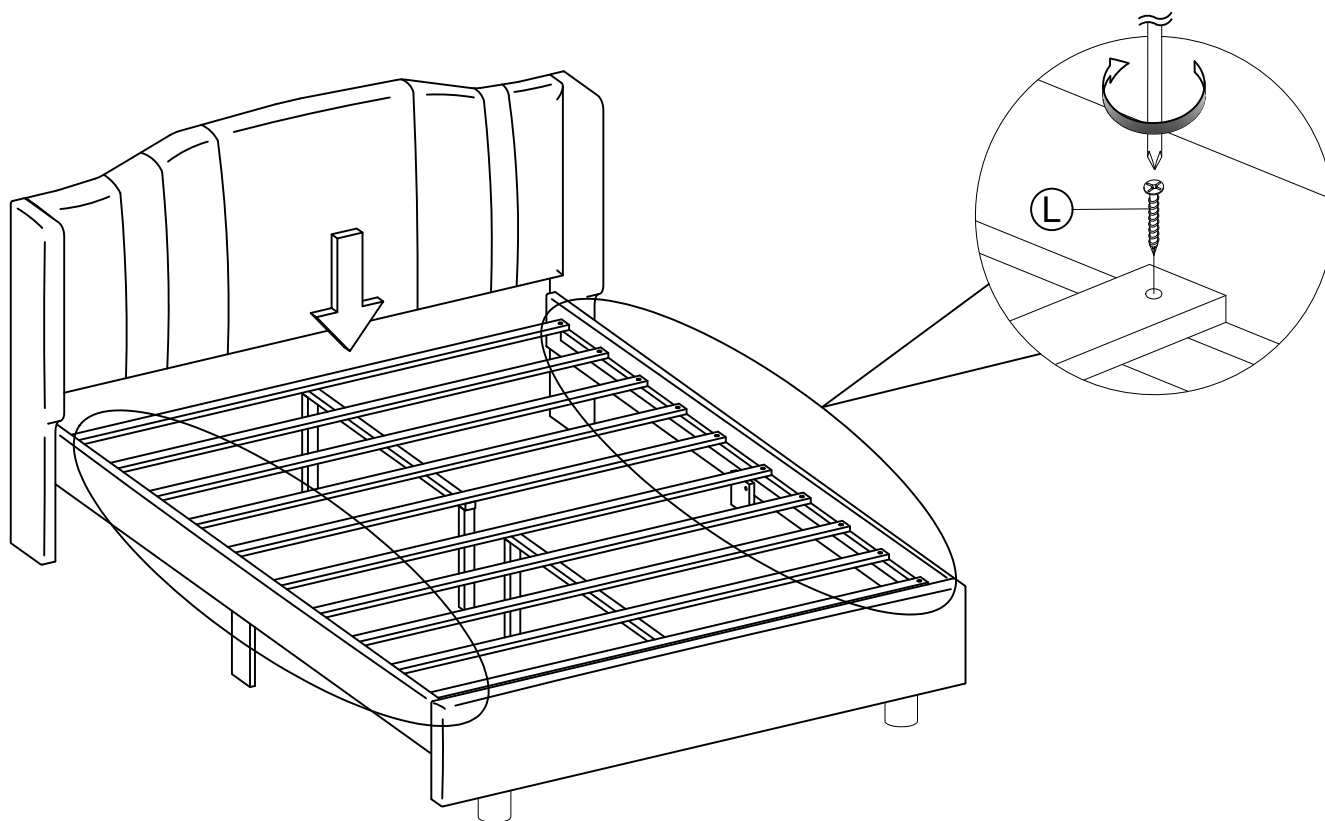
STEP 5

C	A	B	O
			
4pcs	4pcs	4pcs	1pc

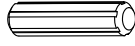



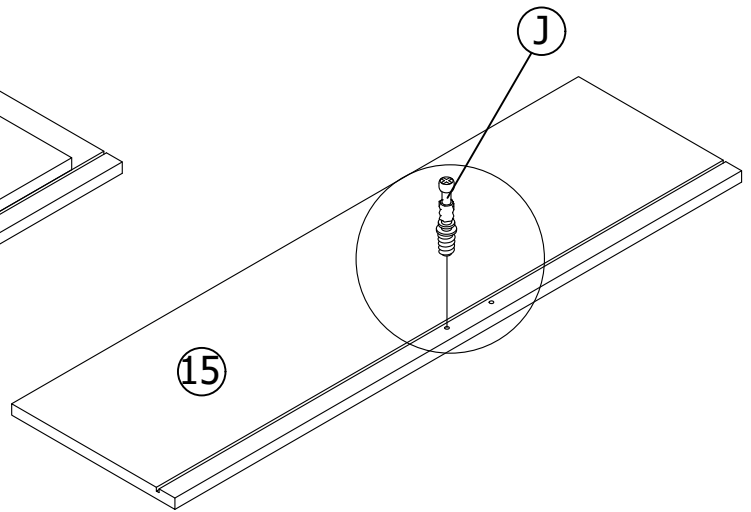
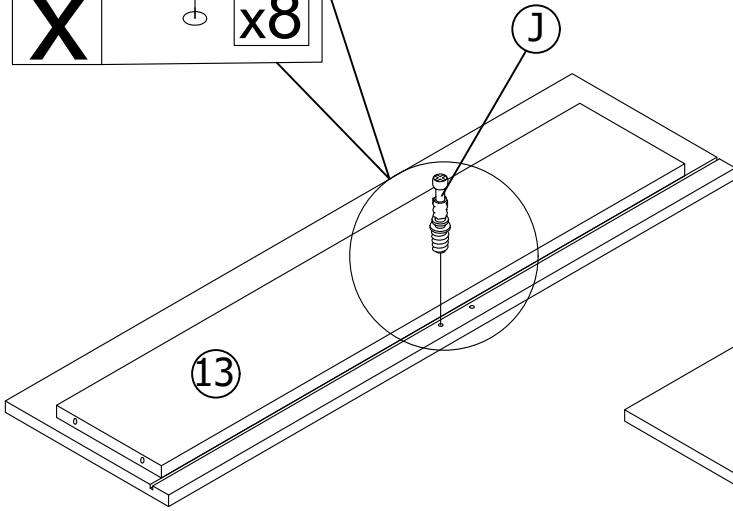
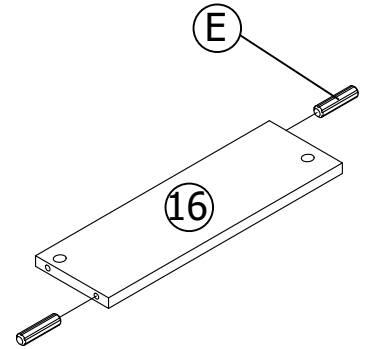
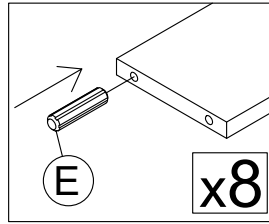
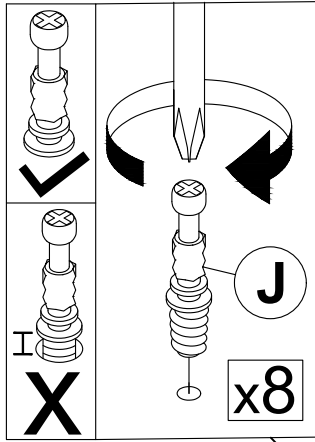
STEP 6

L

20pcs




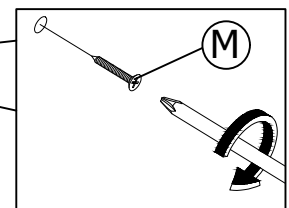
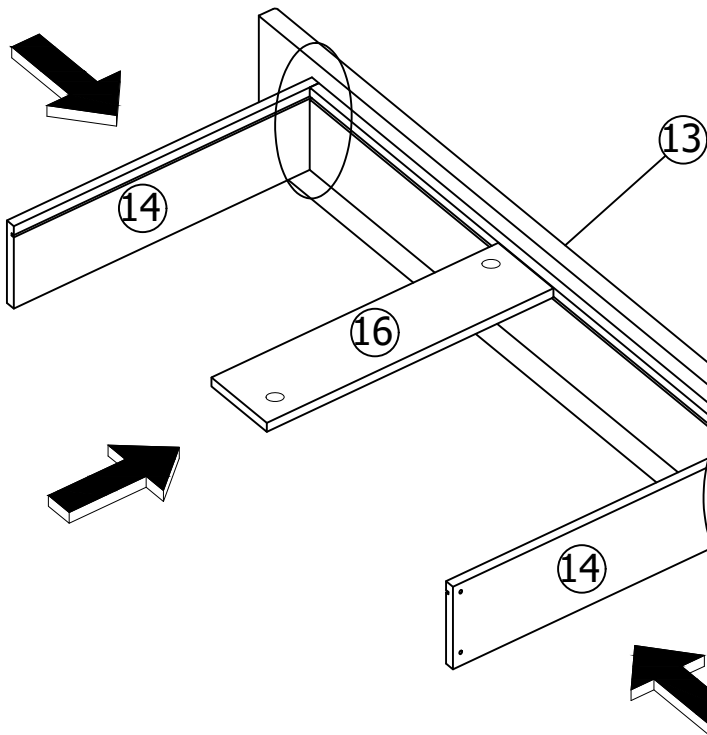
STEP 7

E		J	
8pcs		8pcs	







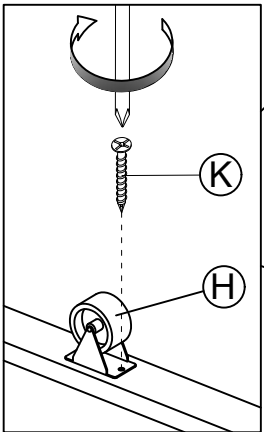
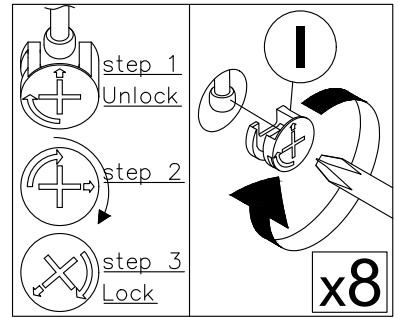
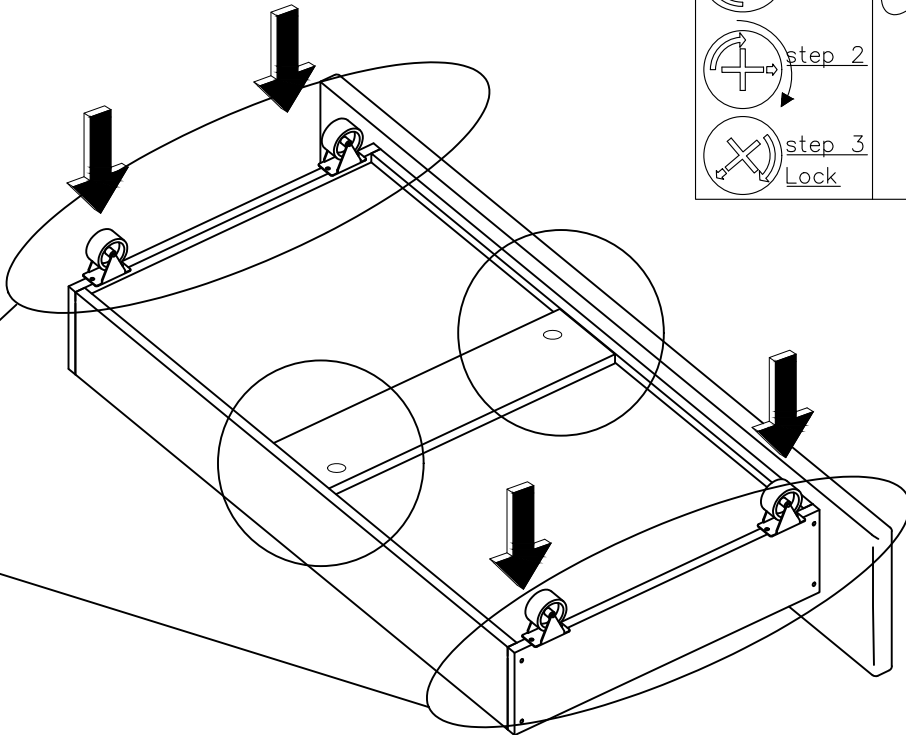
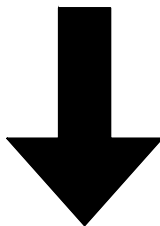
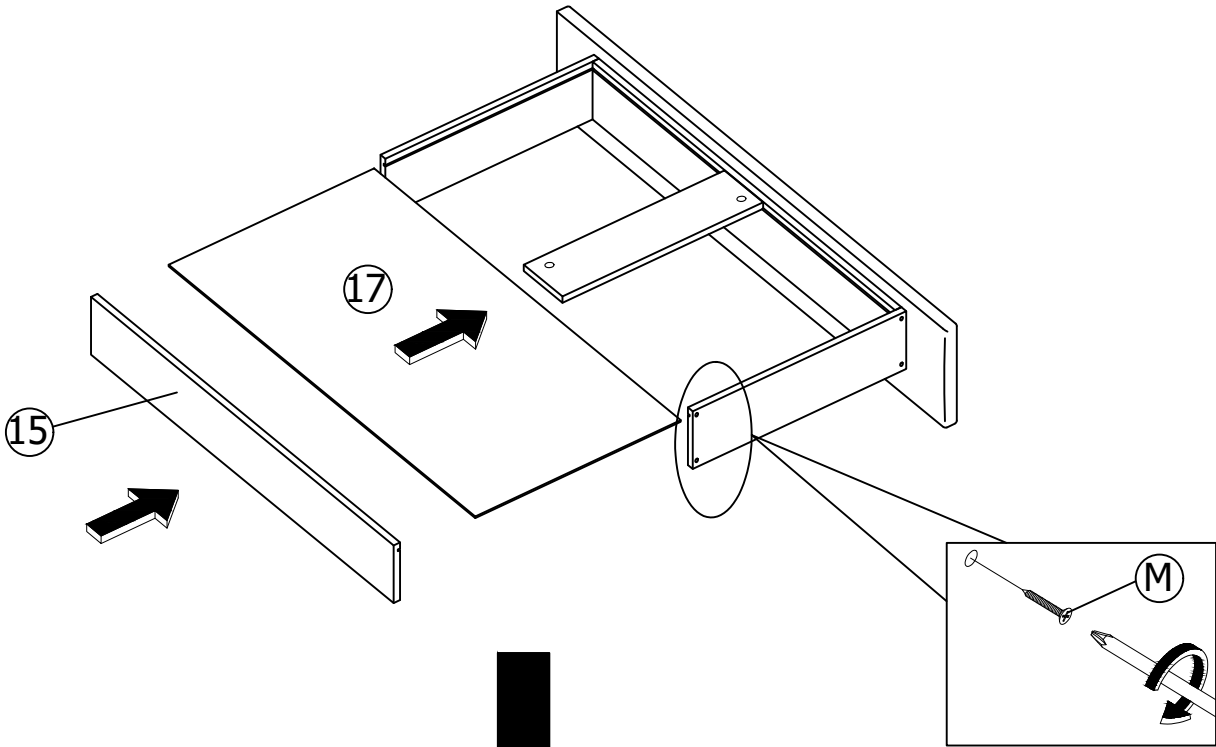
STEP 8

M	
16pcs	



STEP 9

I 	H 	K 	M 
8pcs	16pcs	32pcs	16pcs



STEP 10

