

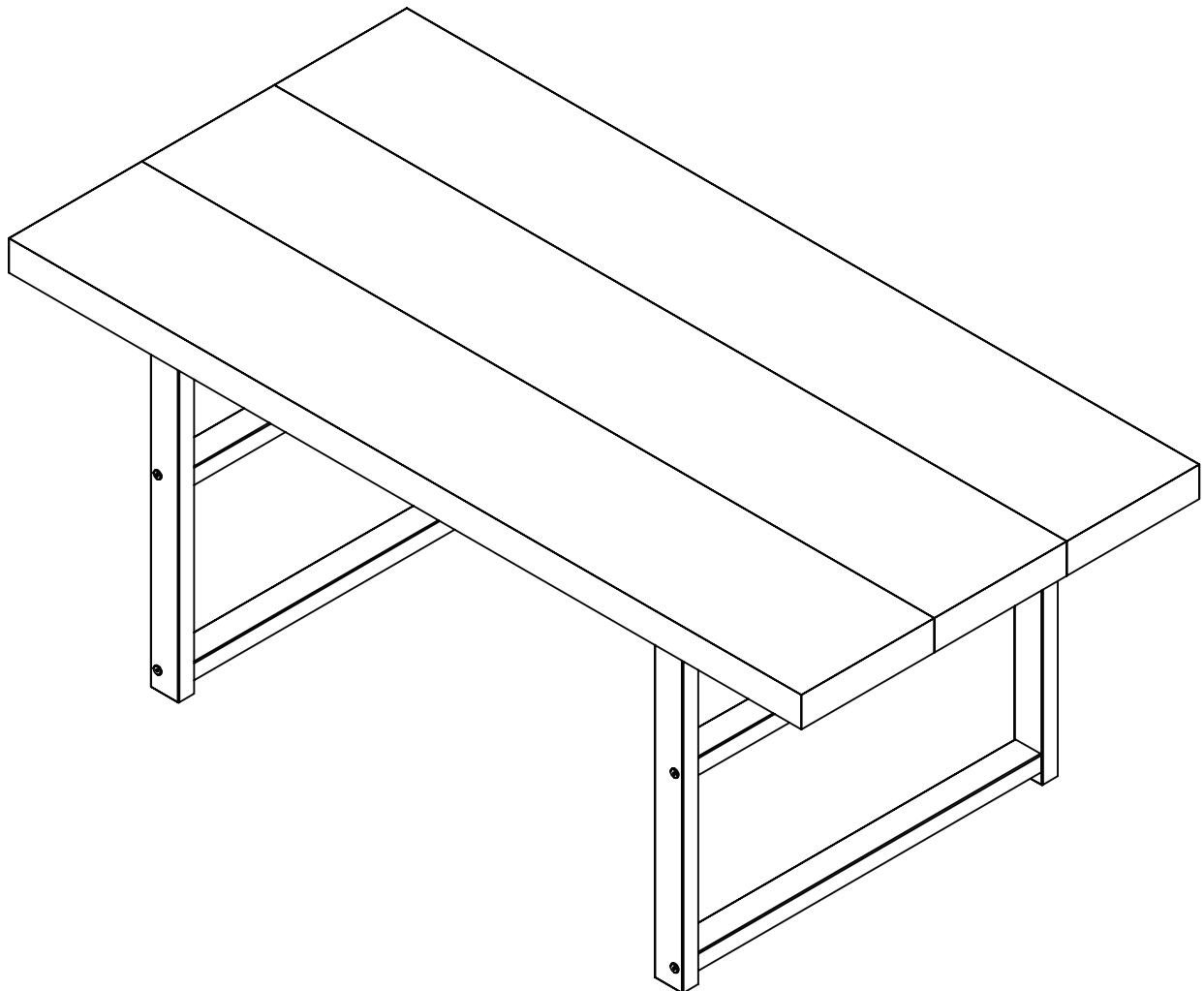
Thank you for purchasing our dining group. The Rustic finish, by design, has high and low spots on the top surface of the table, bench and chair. Naturally this solid wood product will have areas of different color and texture. We hope you enjoy this look as much as we do.

Please note, over time tighten all hardware so your products stay as rigid in the future as they are today.

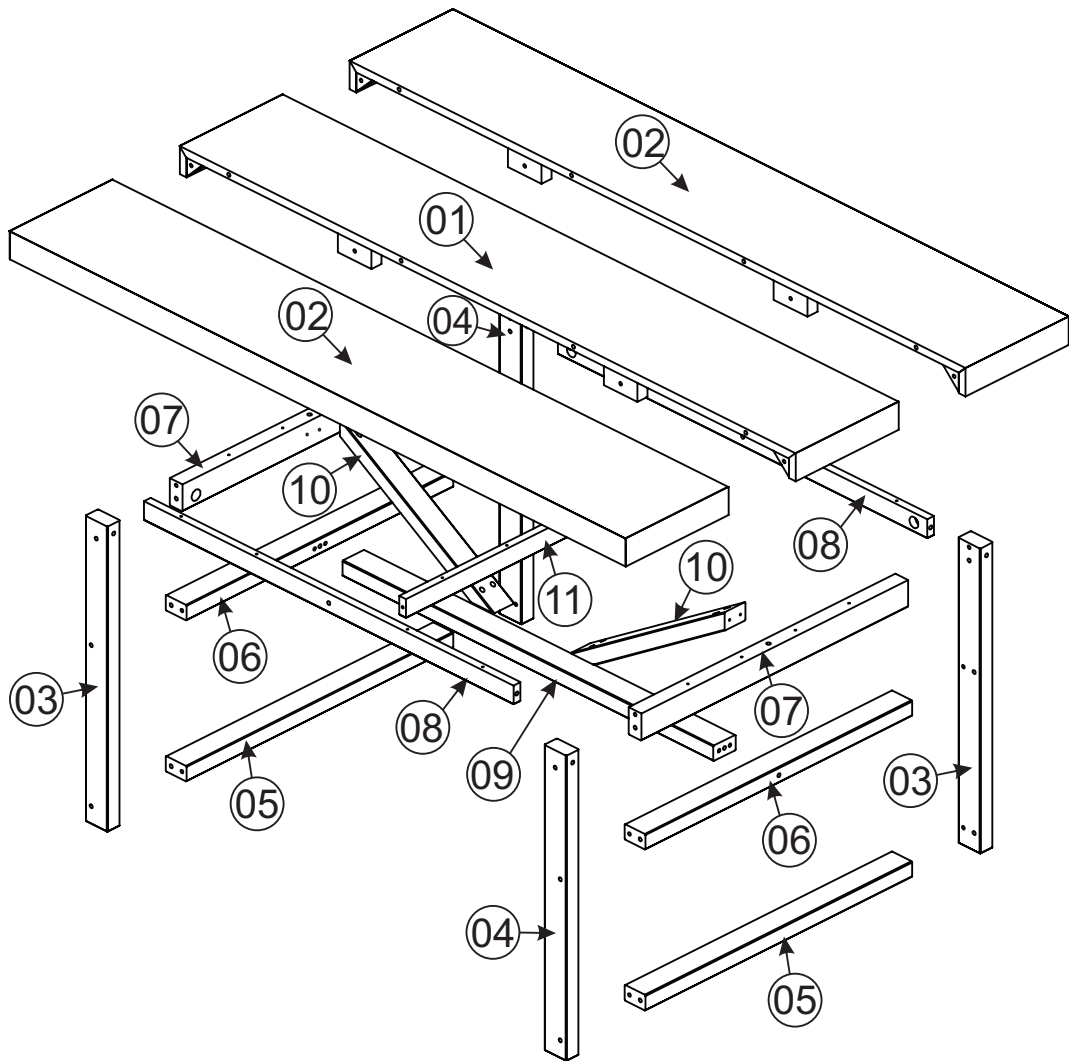
As with all internet products, a good review makes the product successful. We invite you to share a positive review. Thank you for your help.

Please contact us at [mybednowservice@gmail.com](mailto:mybednowservice@gmail.com)


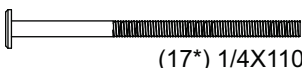


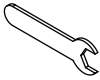

## **72" TABLE**








# PARTS AND HARDWARE



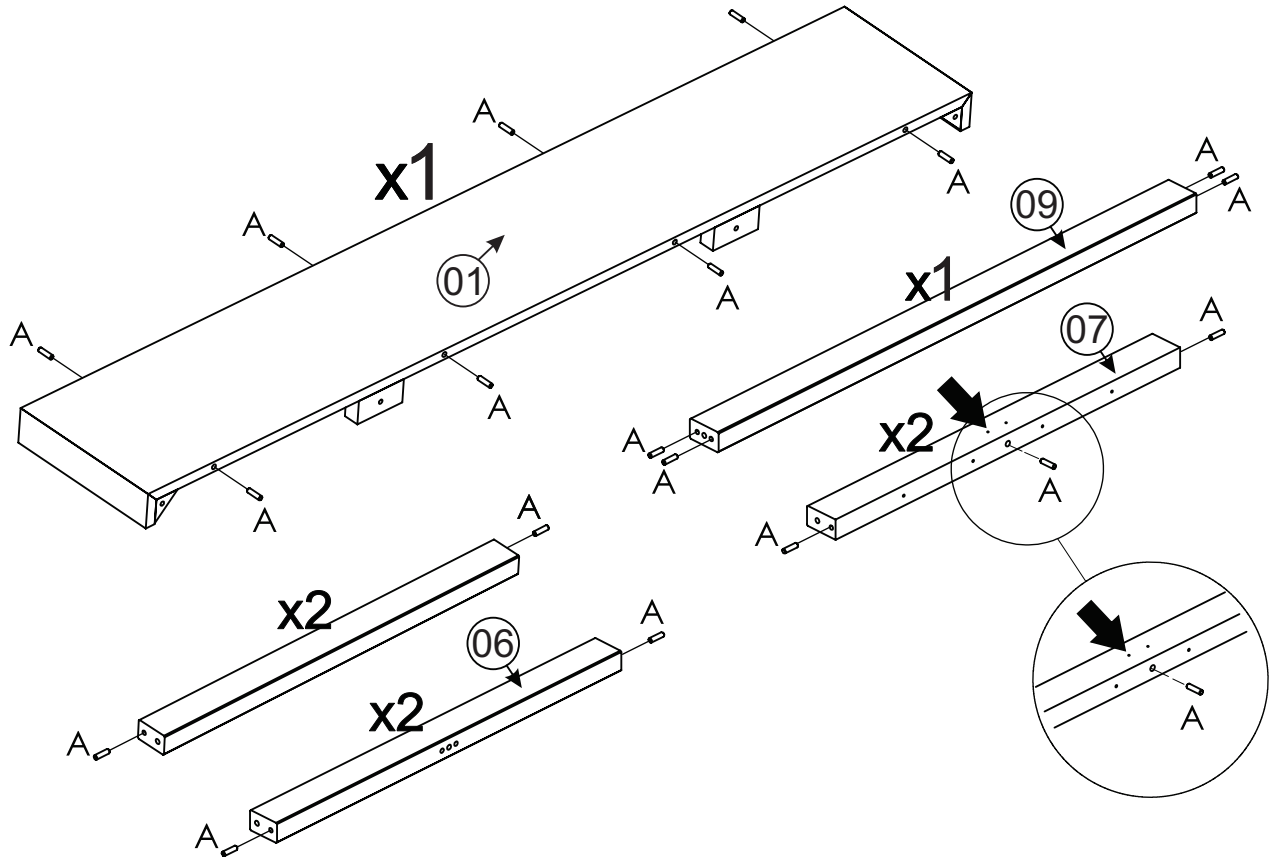
## HARDWARE

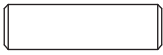
<b>A</b>	 8X30	<b>26</b>
<b>B</b>	 (17*) 1/4X110	<b>06</b>
<b>C</b>	 1/4X25	<b>18</b>
<b>D</b>	 (17*) 1/4X80	<b>12</b>
<b>E</b>		<b>02</b>
<b>F</b>	 (11) 1/4X70	<b>10</b>

<b>G</b>	 1/4	<b>10</b>
<b>H</b>	 1/4	<b>20</b>
<b>J</b>	 15X40X4	<b>01</b>
<b>K</b>	 (17*) 7X50	<b>02</b>
<b>L</b>	 CF 4,5X50	<b>28</b>


# STEP 1

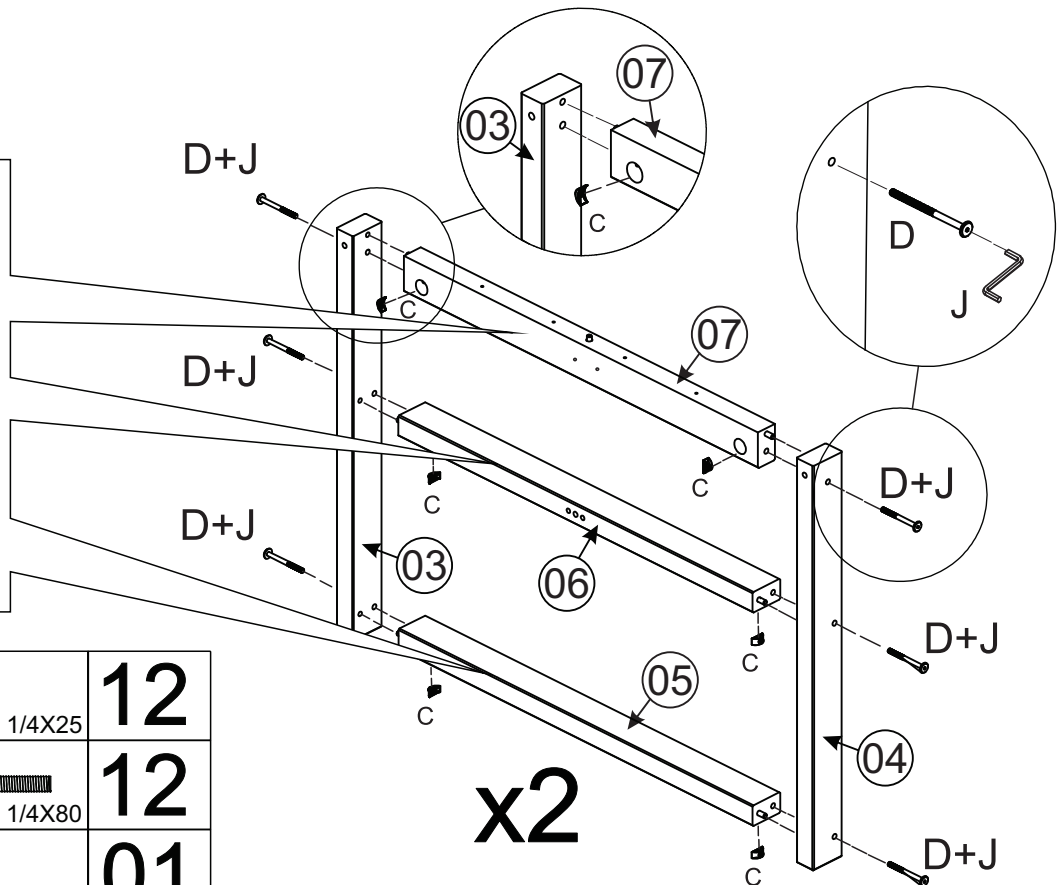
INSERT DOWELS (A) TO SHOWN COMPONENTS






<b>A</b>		8X30	<b>26</b>
----------	---	------	-----------

# STEP 2 ATTACH LEGS (03 & 04) TO CROSSBOARDS (05, 06, & 07) TIGHTEN WITH BOLTS (D) AND NUTS (C)

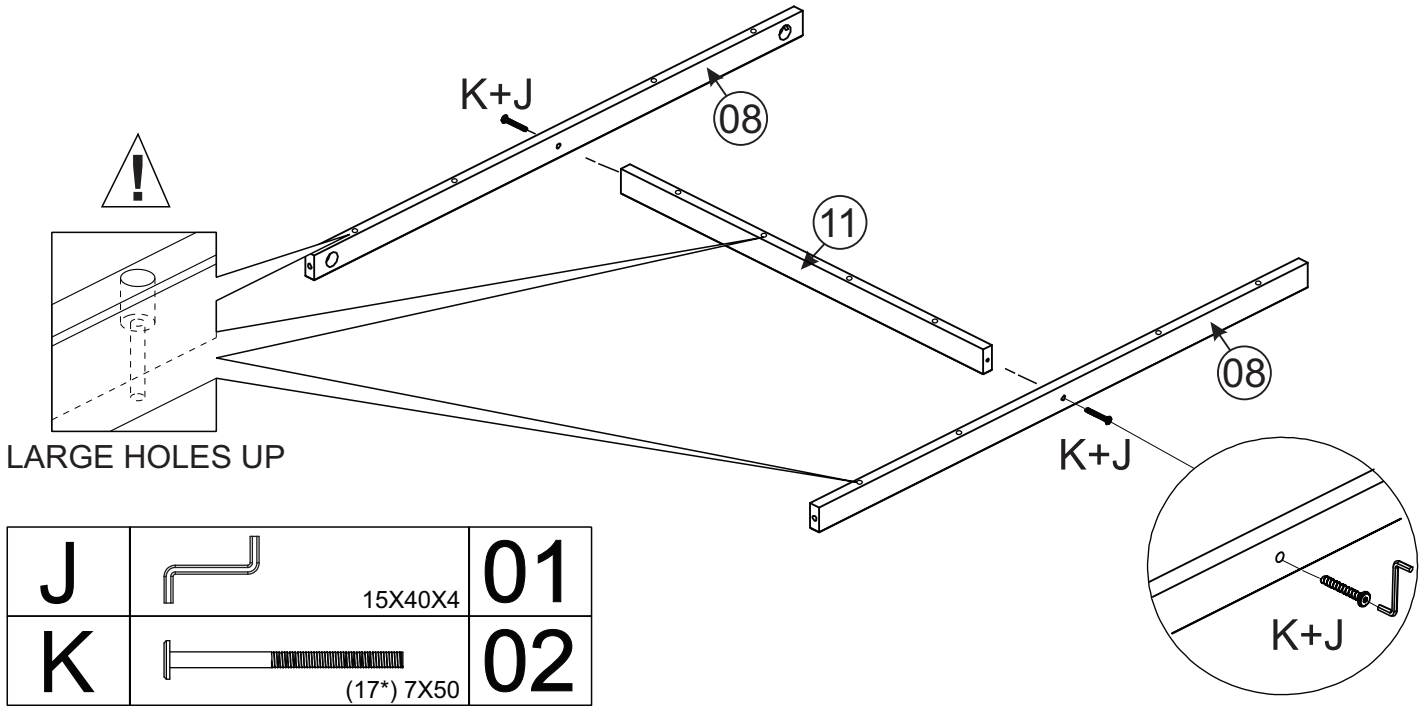
  
**BEWARE OF THE ORIENTATION**



<b>C</b>		1/4X25	<b>12</b>
<b>D</b>		(17*) 1/4X80	<b>12</b>
<b>J</b>		15X40X4	<b>01</b>

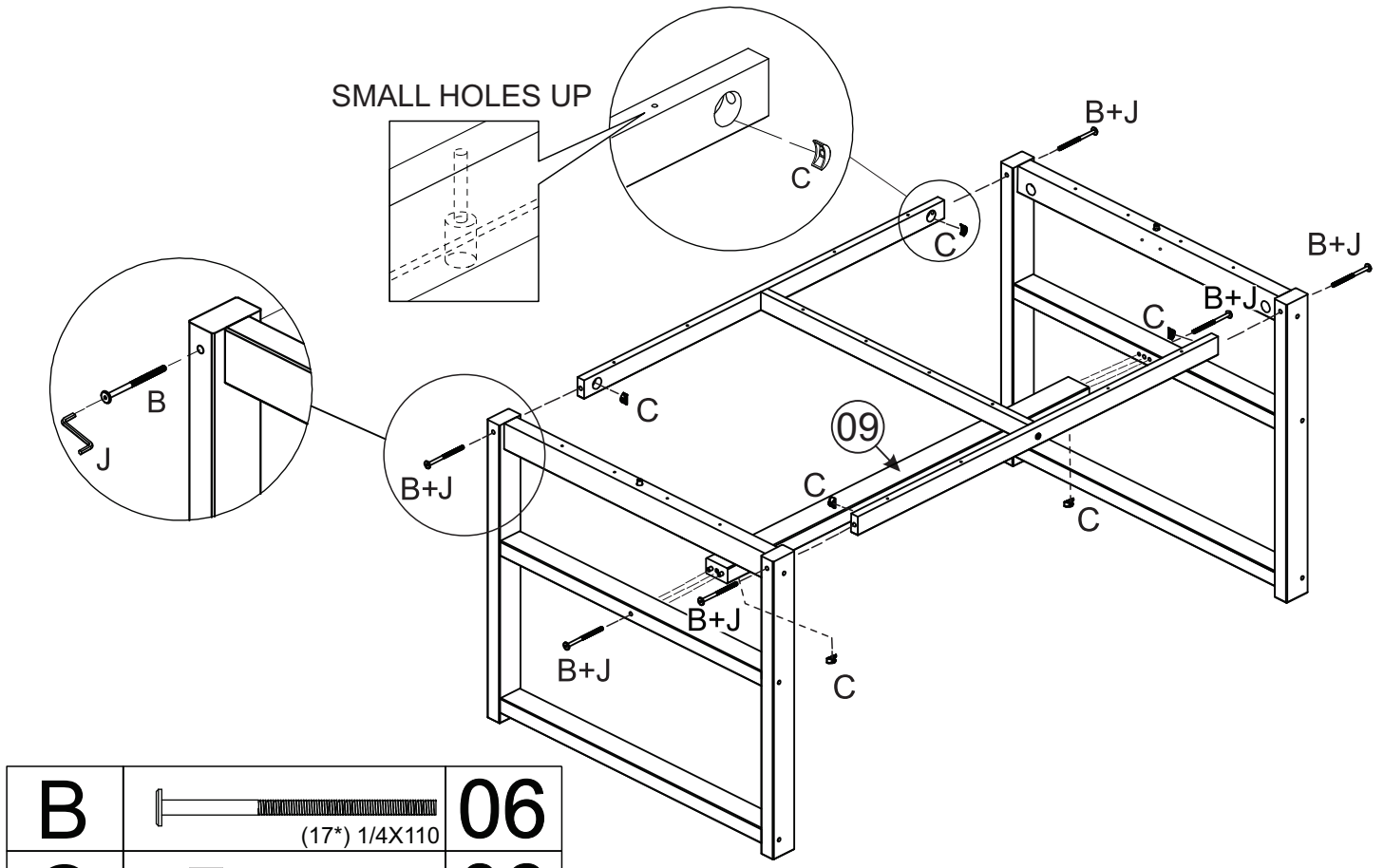
**STEP 3**

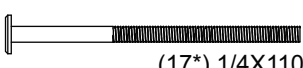


ATTACH RUNNERS (08x2) TO CROSSBOARD (11)  
TIGHTEN WITH BOLTS (K)



**STEP 4**

ATTACH RUNNERS & CENTER BRACE (09) TO LEGS  
TIGHTEN WITH BOLTS (B) AND NUTS (C)

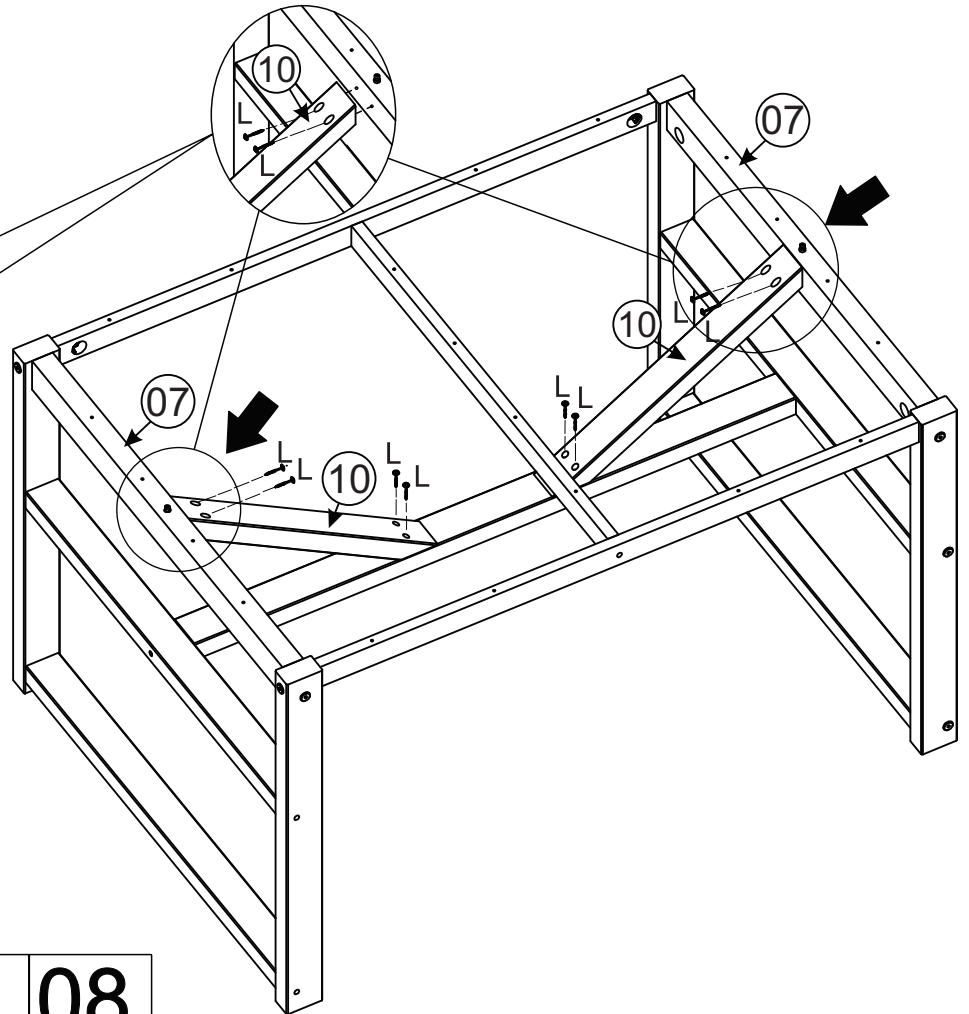


<b>B</b>		(17*) 1/4X110	<b>06</b>
<b>C</b>		1/4X25	<b>06</b>
<b>J</b>		15X40X4	<b>01</b>

**STEP 5**

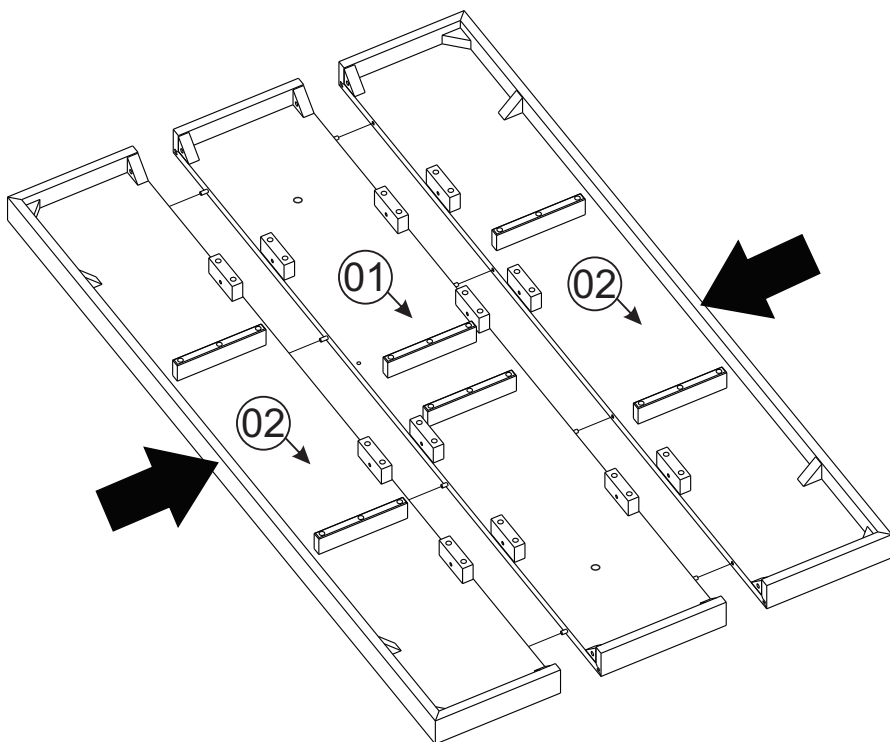
ATTACH ANGLE BRACES (10) TO CENTER BRACE (09) AND CROSSBOARD (07) TIGHTEN WITH SCREWS (L)

  
ATTACH SIDE  
WITH  
STICKER TO  
(07)



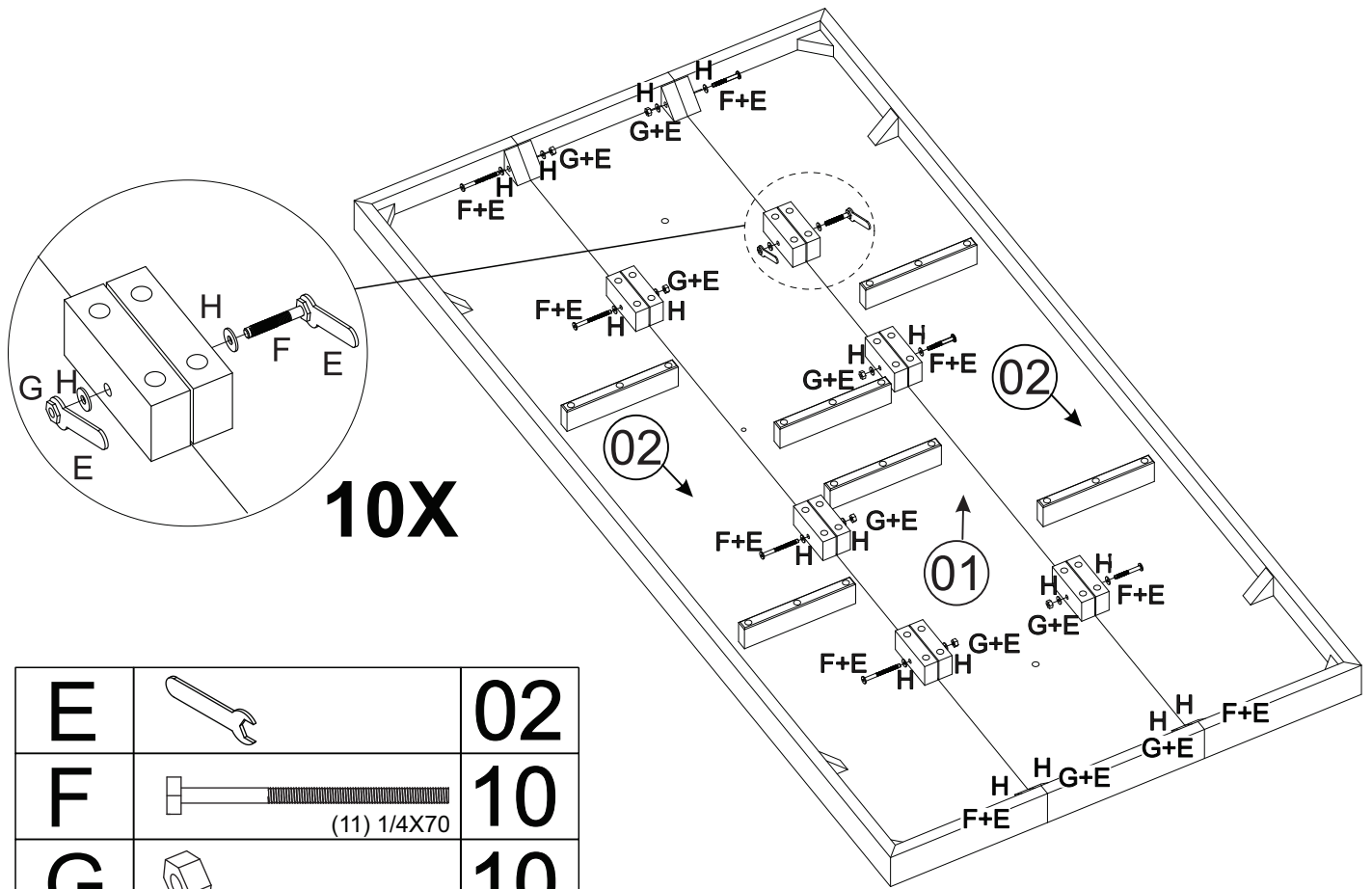
**STEP 6**

ATTACH TOPS (01 & 02x2) TOGETHER

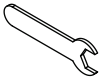
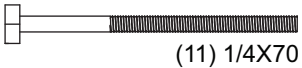




# STEP 7

TIGHTEN WITH BOLTS (F), WASHERS (H), AND NUTS (G)



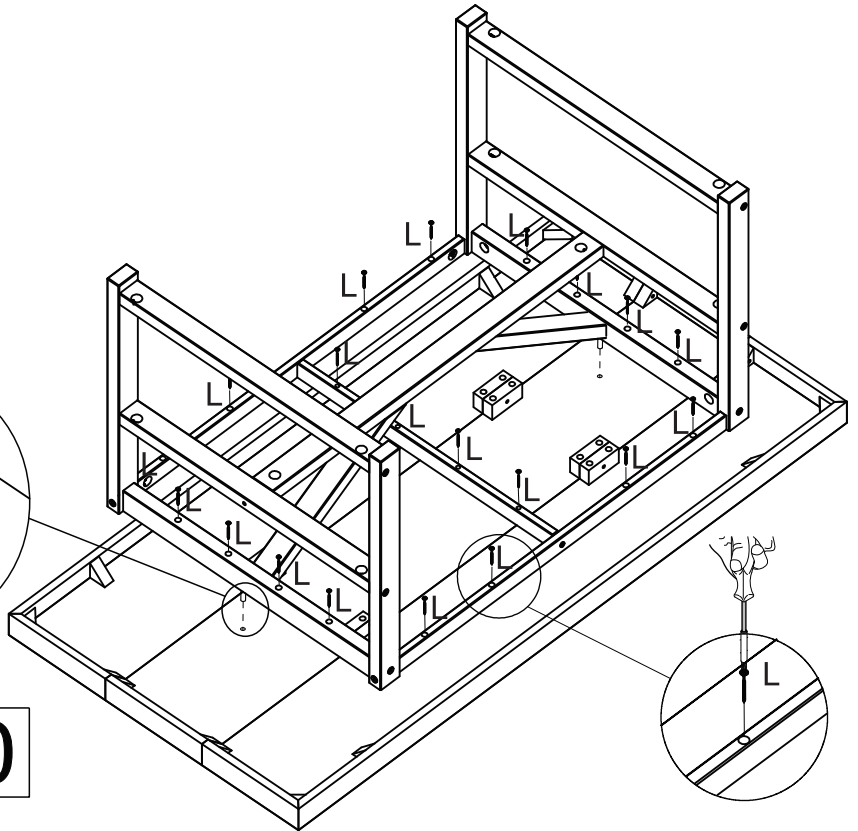
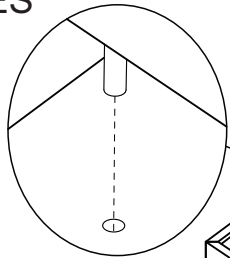
**10X**


<b>E</b>		<b>02</b>
<b>F</b>	 (11) 1/4X70	<b>10</b>
<b>G</b>	 1/4	<b>10</b>
<b>H</b>	 1/4	<b>20</b>

# STEP 8

ATTACH TABLE BASE TO TABLE TOP TIGHTEN WITH SCREWS (L) DO NOT OVER TIGHTEN

LINE UP DOWELS WITH CENTER HOLES



<b>L</b>	 CF 4,5X50	<b>20</b>
----------	--	-----------

