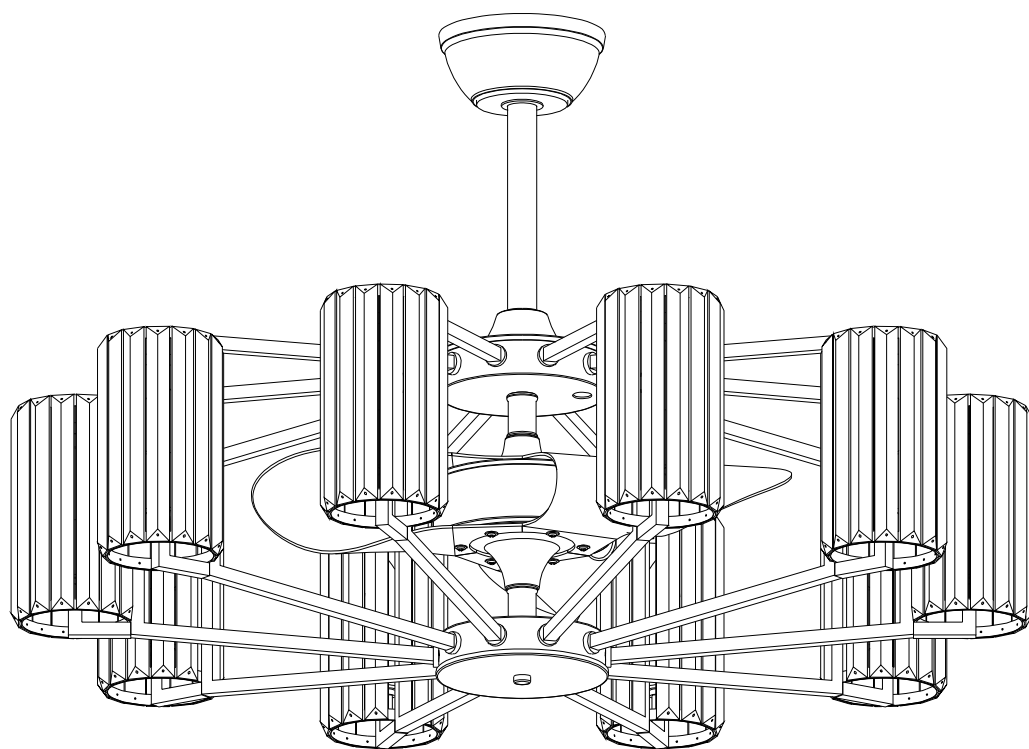


INSTALLATION MANUAL

CEILING FAN WITH LIGHTS



Safety Rules

1. Be sure the power to the wires you are working on is disconnected, either the fuse is removed or the circuit breaker is turned off. Turning the power off using the light switch is not sufficient to prevent electrical shock.
2. A qualified licensed electrician is required for the installation.
3. The outlet box and support structure must be securely mounted and capable of reliably supporting a minimum of 70 pounds. Use only UL (cUL for Canadian Installation) listed mounting boxes marked "FOR FAN SUPPORT".
4. The fan must be mounted with a minimum of 7 feet clearance from the trailing edge of the blades to the floor.
5. Do not operate reversing switch while fan blades are in motion (if applicable). The fan must be turned off and the blades stopped before reversing the blade direction.
6. Do not place any objects in the path of the blades.
7. To avoid personal injury or damage to the fan and other items, be cautious when working around or cleaning the fan.
8. Do not use water or detergents when cleaning the fan or fan blades. A dry dust cloth or lightly dampened soft cloth will be suitable for the cleaning.
9. After marking electrical connections, spliced conductors should be turned upward and pushed carefully up into the outlet box. The wires should be spread apart with the grounded conductor on one side of the outlet box.
10. Electrical diagrams are reference only, different fan lights may have different light shades and bulbs.
11. Use only our replacement parts. This equipment has been tested and found to comply with the limits for a class B digital device, pursuant to part 15 of the FCC Rules. These limits are to provide reasonable protection against harmful interference in a residential installation. This equipment generates, uses, and radiates radio frequency energy and if not installed and used in accordance with the instructions may cause harmful interference to radio communications.

Warning:

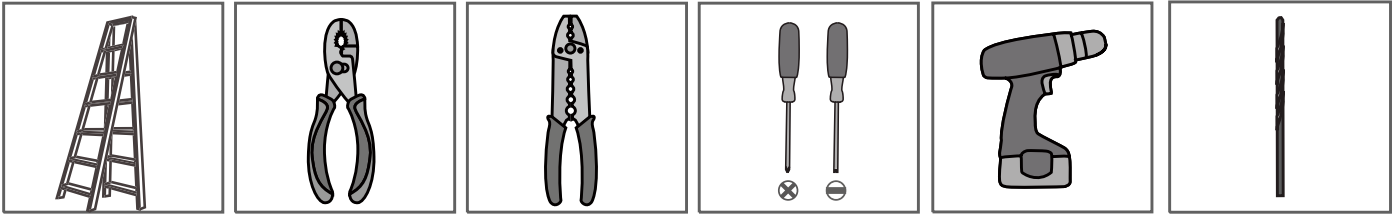
To reduce the risk of personal injury, use only the two steel screws and washers provided with the outlet box for mounting to the outlet box. Most outlet boxes commonly used for the support of lighting fixtures are not acceptable for fan support and need to be replaced, consult a qualified electrician if in doubt.

To reduce the risk of fire, electric shock, or personal injury, mount the fan to the outlet box marked "acceptable for fan support".

To reduce the risk of personal injury, do not bend the blade brackets (also referred to as flanges) during assembly or after installation. Do not insert objects in the path of the blades.

Installation Preparation

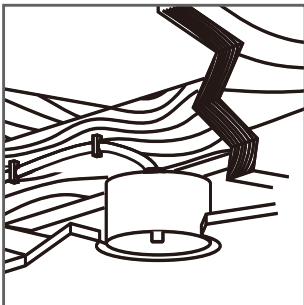
Tools You Need



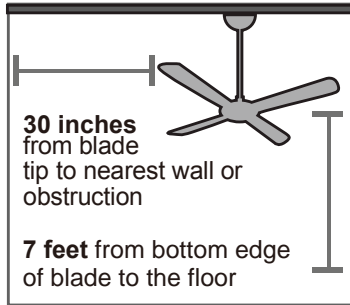
- Ladder
- Pliers
- Wire Strippers
- Screwdrivers
- Power Drill (optional)
- Drill Bit (optional)

If mounting to a support structure, you will also need the optional tools.

What to Expect with Your Installation



- Must be able to secure the fan to building structure or fan-rated outlet box



- Assess location



- Check the box to see the weight of the fan



- Not applicable for angled ceiling

Switch Selection

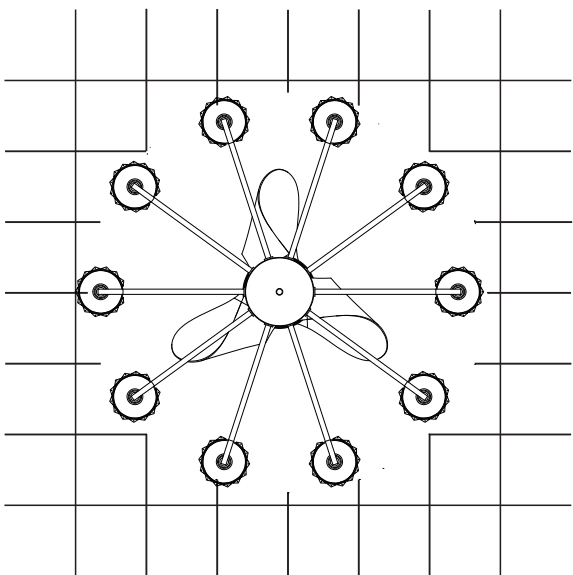
Note: Using a dimmer switch to control the fan may damage the fan. To reduce the risk of fire or electrical shock, do not use a dimmer switch to control the fan.

The recommended switches are as follows:

| | | | | |
|-------------------------|--|---------------------|-------------------------------------|-----------------------------|
| | | | | |
| <p>Recommended:</p> | <p>Single Pole Switch (Not Included)</p> | | | |
| | | | | |
| <p>Not Recommended:</p> | <p>Dimmer Switch</p> | <p>Timer Switch</p> | <p>Fan Speed Control Switch</p> | <p>Motion Sensor Switch</p> |

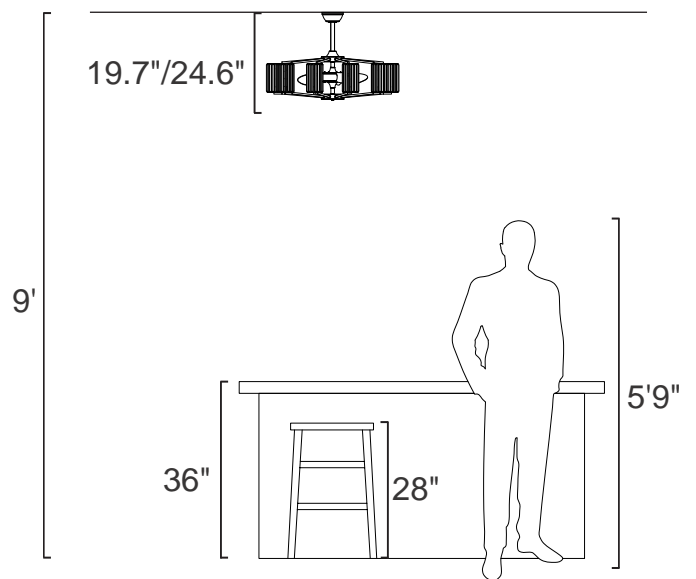
Installation Recommended

Room Size:



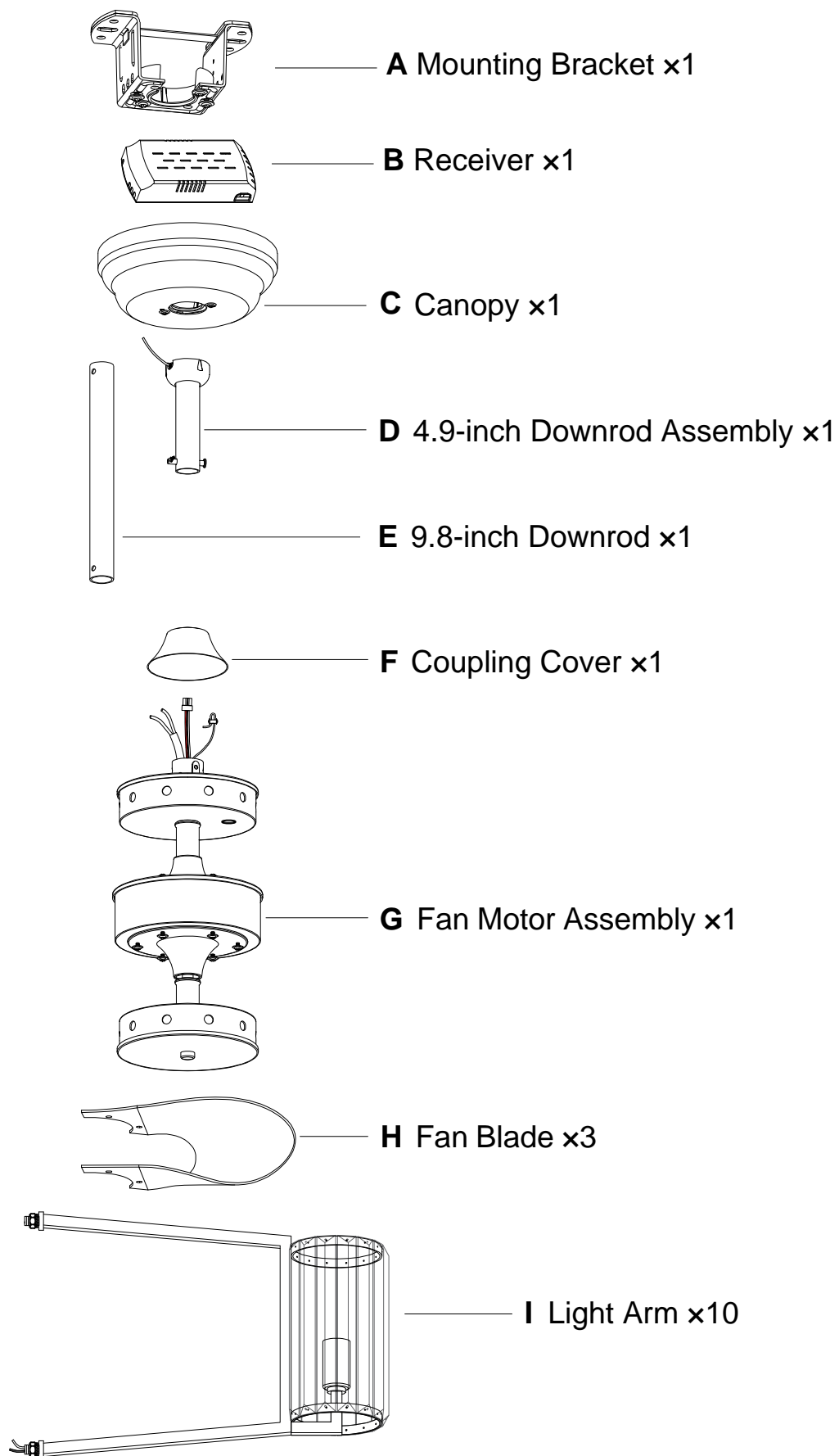
UP TO 12 ft x 14 ft

Room Height:


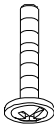

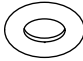

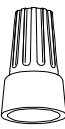






Recommended ceiling height: 7 to 12 ft.

Packing List



Installation Kit

| | | | | |
|---|---|---|---|--|
| AA ×5  Small Wire Nut | BB ×2  Outlet Box Screw | CC ×4  Wood Screw | DD ×4  Washer | EE ×2  Anchor Bolt |
| FF ×2  Large Wire Nut | GG ×1  Gloves | HH ×1  Remote Control | II ×1  Remote Holder | JJ ×2  Remote Holder Parts |

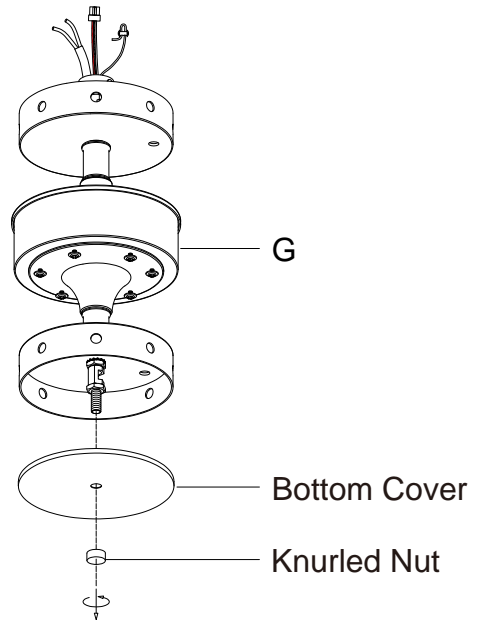
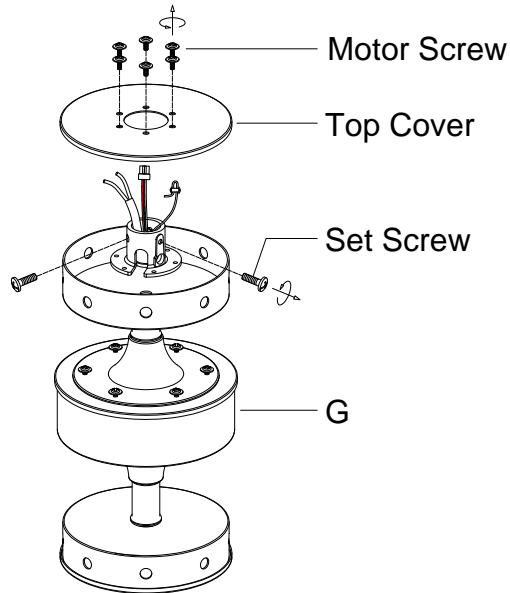
Note: The listed quantity is for installation, extra hardware may be included.

Installation Instructions

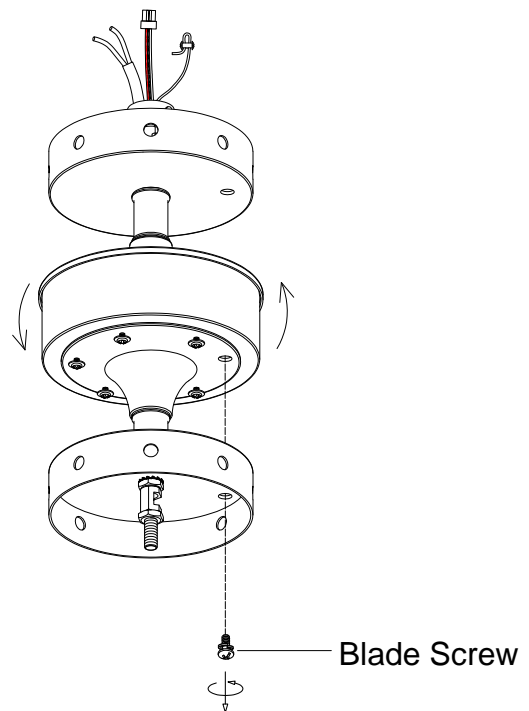
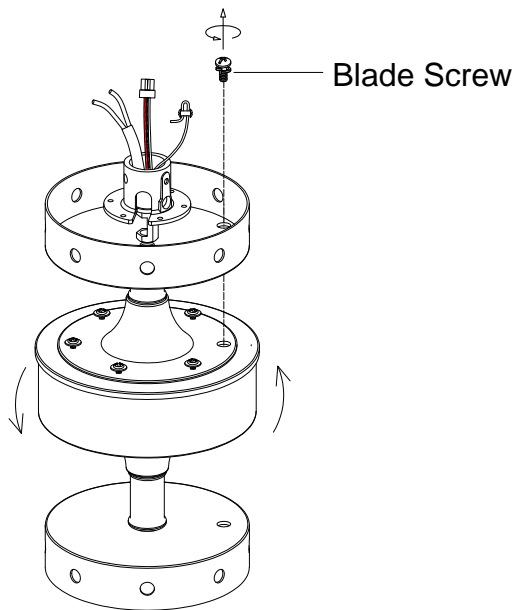
1. Assemble the Fan

1.1. Loosen the motor screws and set screws on the fan motor assembly (G), and remove the top cover.

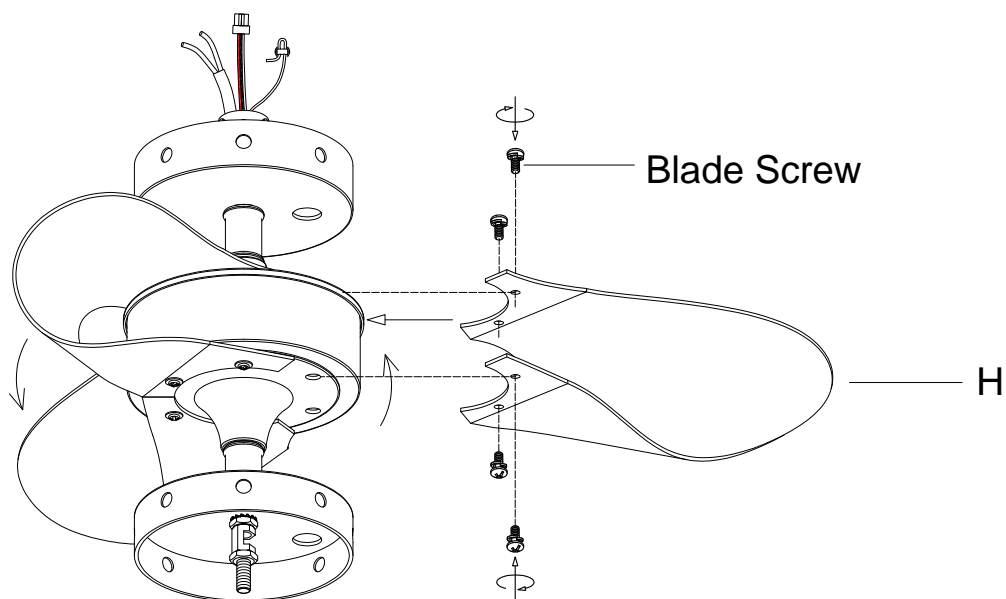
1.2. Loosen the knurled nut and remove the bottom cover.



1.3. Rotate the light housing at both ends of the fan motor assembly to remove the blade screws through the hole.

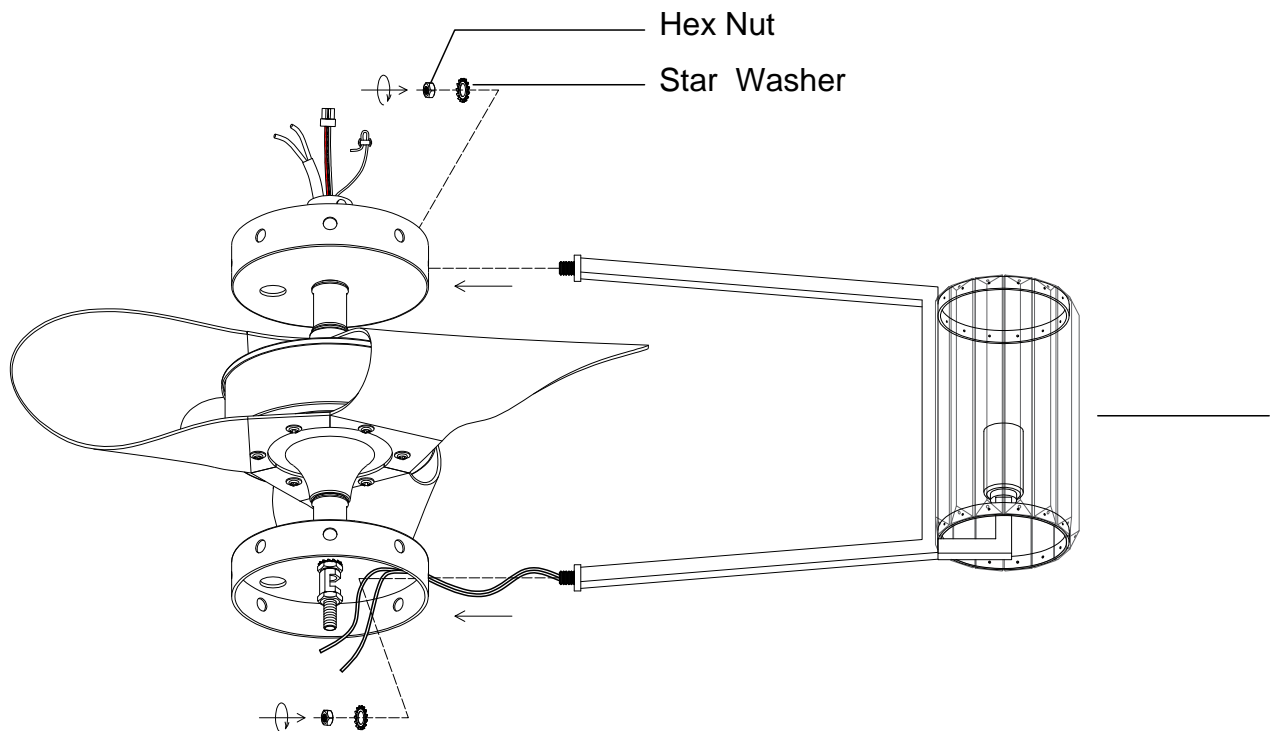


1.4. Assemble the blade (H) using the blade screws just taken off.

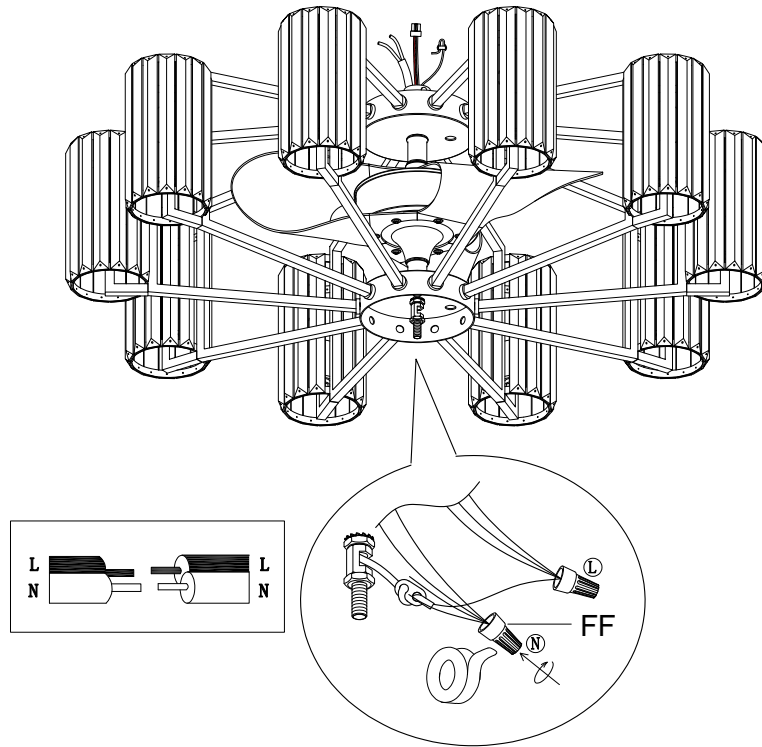


1.5. Loosen the hex nut from light arm (I), and remove the star washer.

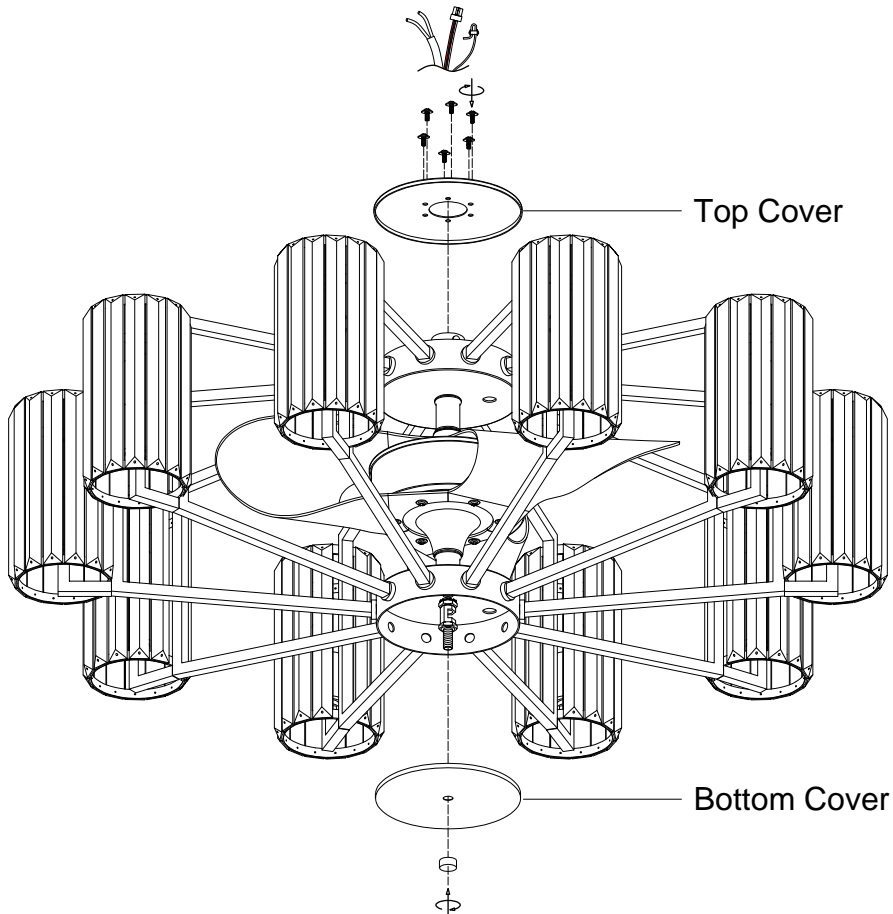
1.6. Insert the light arms (I) into the holes on light housing, fit the star washers and then secure with hex nuts.



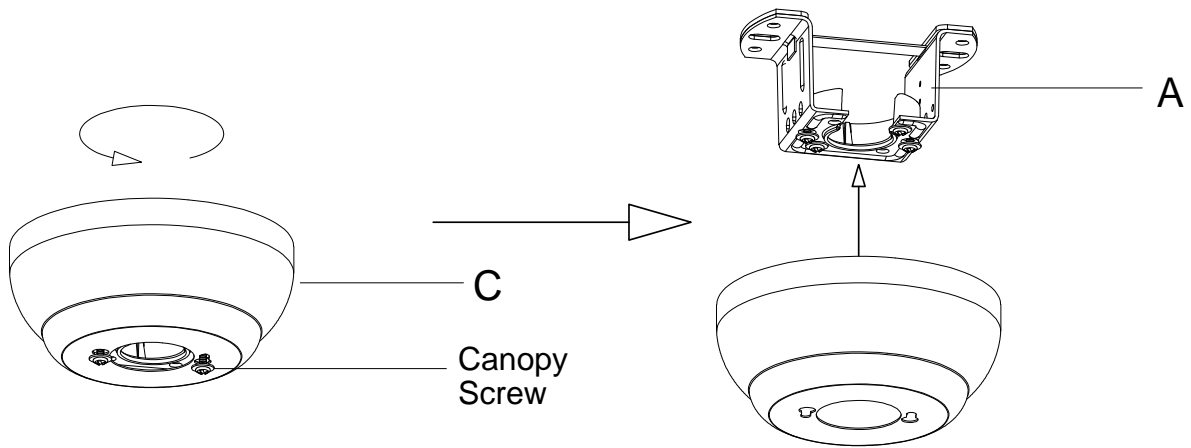
1.7. Twist all the black wires and blue wire together with a large wire nut (FF), and do the same for all the white wires. Wrap the connection with electrical tape.



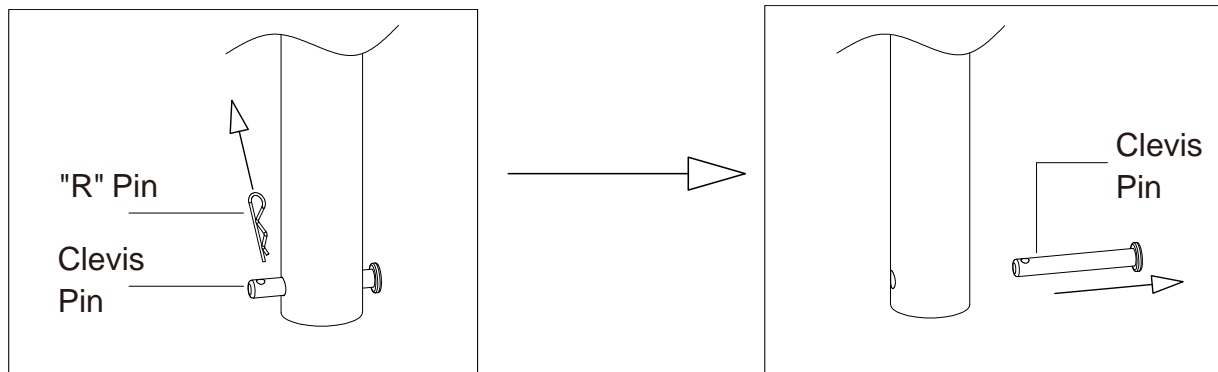
1.8. Attach the top cover and bottom cover back to the fan motor assembly (G).



1.9. Loosen the canopy screws from the canopy (C) but do not take off, rotate the canopy to separate it from the bracket (A).

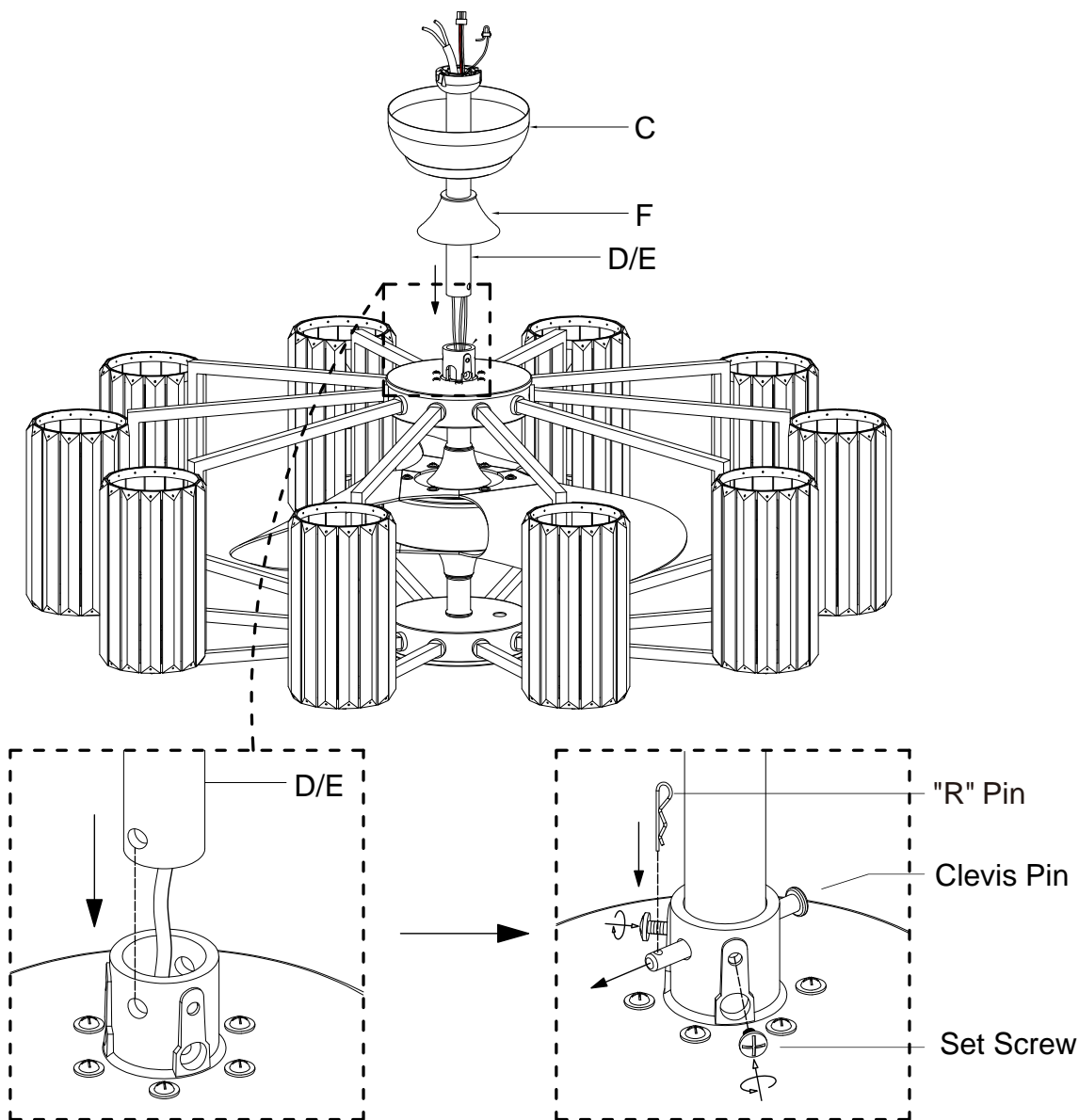


1.10. Remove the "R" pin and clevis pin from the 4.9-inch downrod (D).

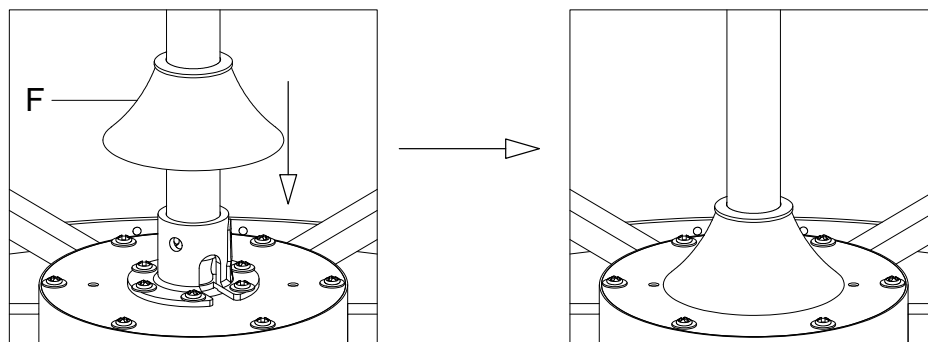


1.11. Assemble the canopy (C) and coupling cover (F). Route wires from the fan through the downrod (D/E).

1.12. Align the holes at the bottom of the downrod (B/C) with those in the fan motor (G). Carefully insert the clevis pin through the hole (Be careful not to jam the clevis pin against the wires inside the downrod). Insert the "R" pin into the end of the clevis pin. Secure the downrod with set screws just taken off in step 1.1.



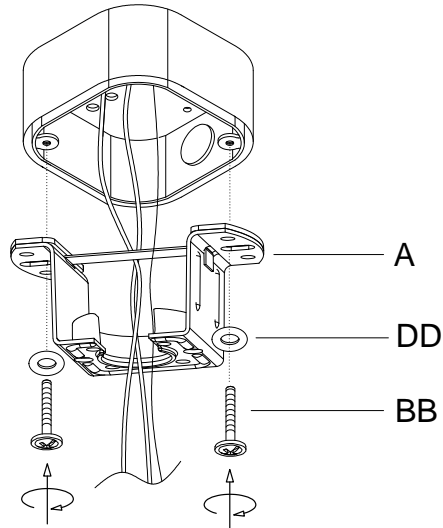
1.13. Fit the coupling cover (F) onto the fan motor.



2. Mount the Bracket (3 Options)

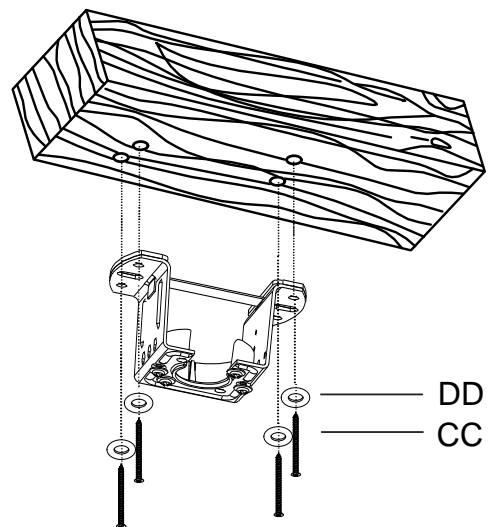
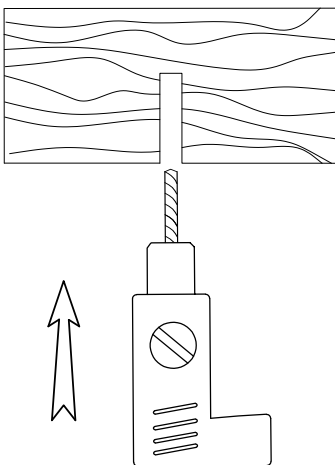
Option 1. (For Outlet Box)

Secure the mounting bracket (A) to the outlet box with screws taken off from outlet box or screws (BB) and washers (DD) provided.



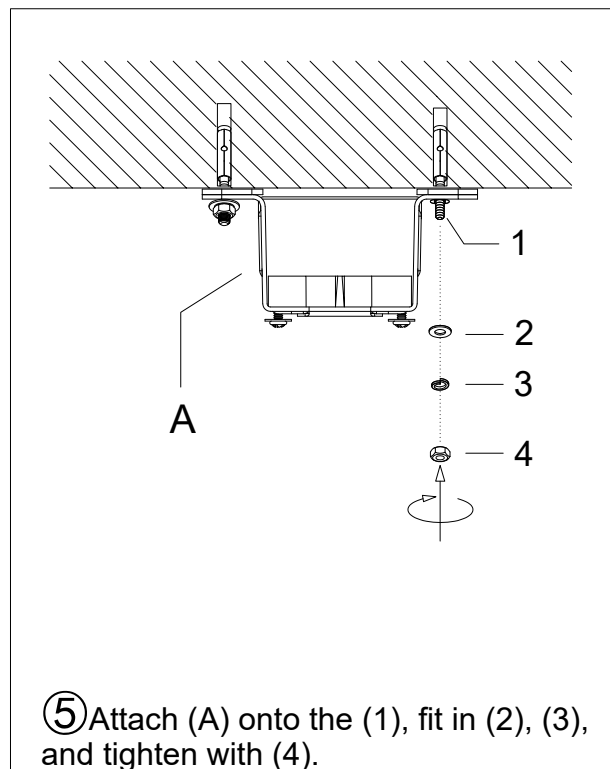
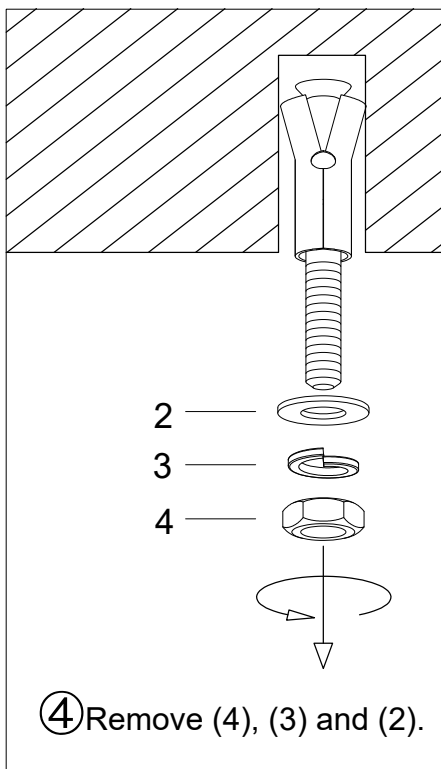
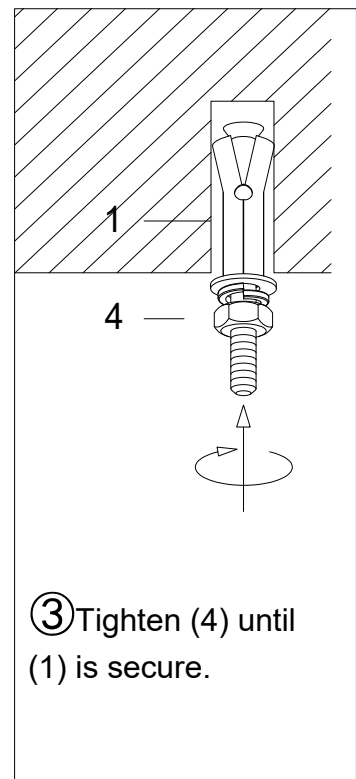
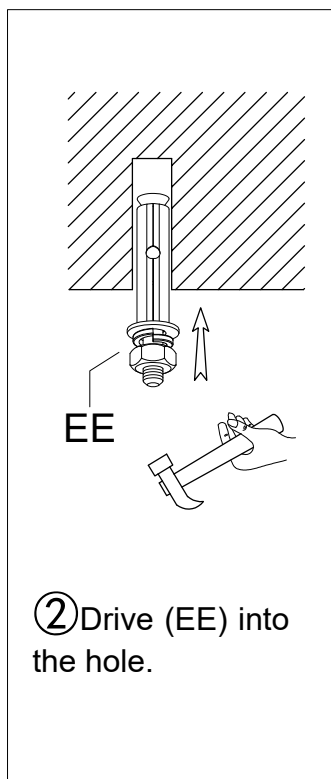
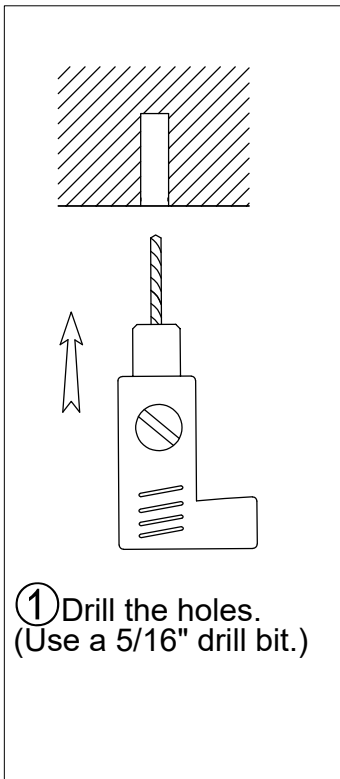
Option 2. (For Solid Wood Structure)

Mark and drill the screw holes (Use a 1/8" drill bit) on the solid wood structure. Mount the mounting bracket with wood screws (CC) and washers (DD).



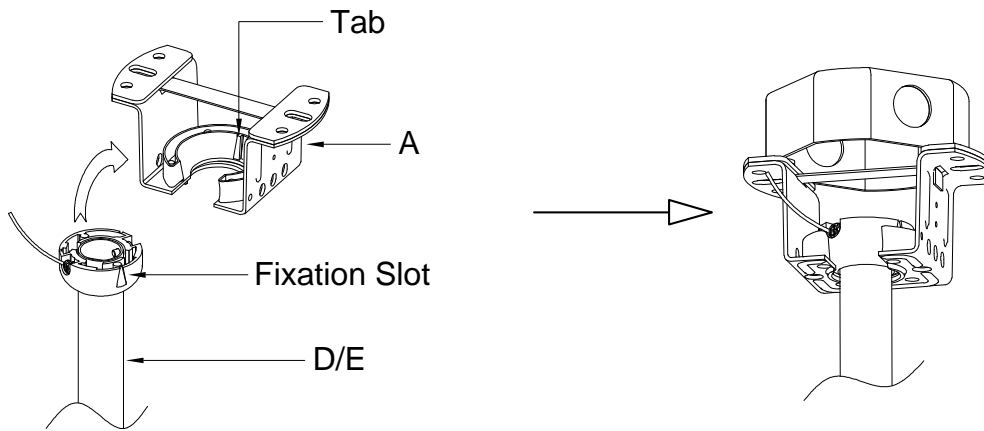
Option 3. (For Concrete Structure)

Mount the mounting bracket to the concrete structure with anchor bolt (EE).

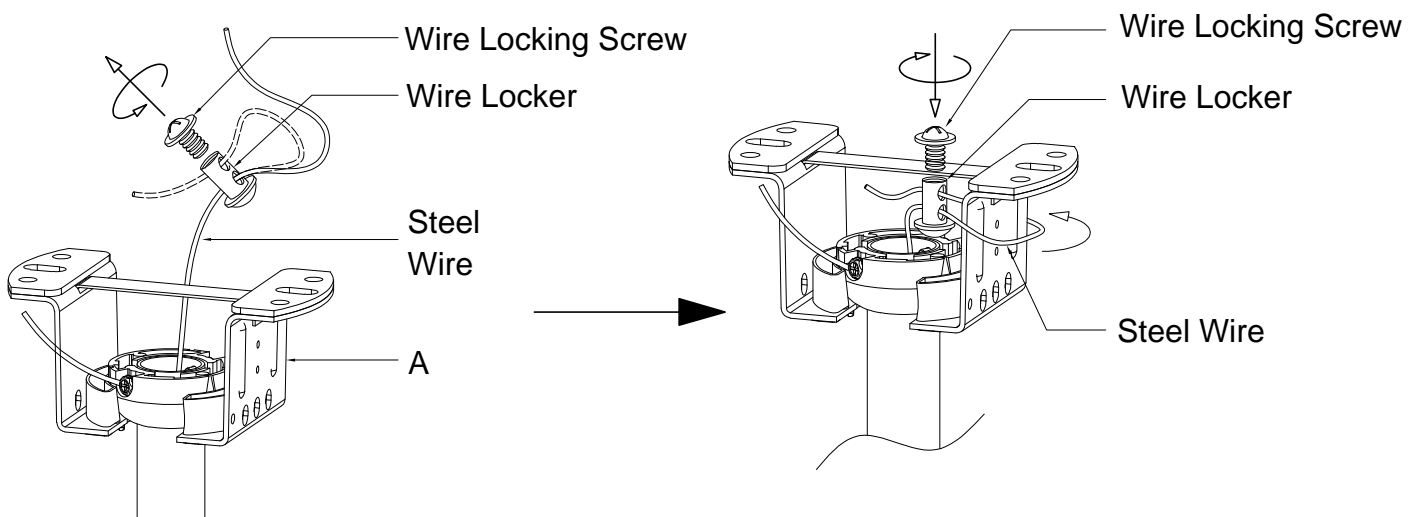


3. Hang the Fan

3.1. Lift the downrod (D/E) into the mounting bracket (A). Rotate the downrod until the tab in the mounting bracket is seated in the fixation slot in the downrod ball.

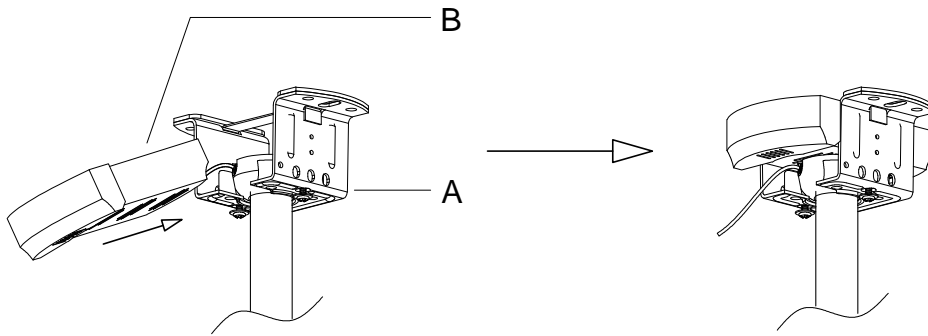


3.2. Loosen the wire locking screw, pull one end of the steel wire out of the wire locker, wrap it around the bracket (A), then reinsert it into the wire locker. Finally, tighten the wire locking screw.



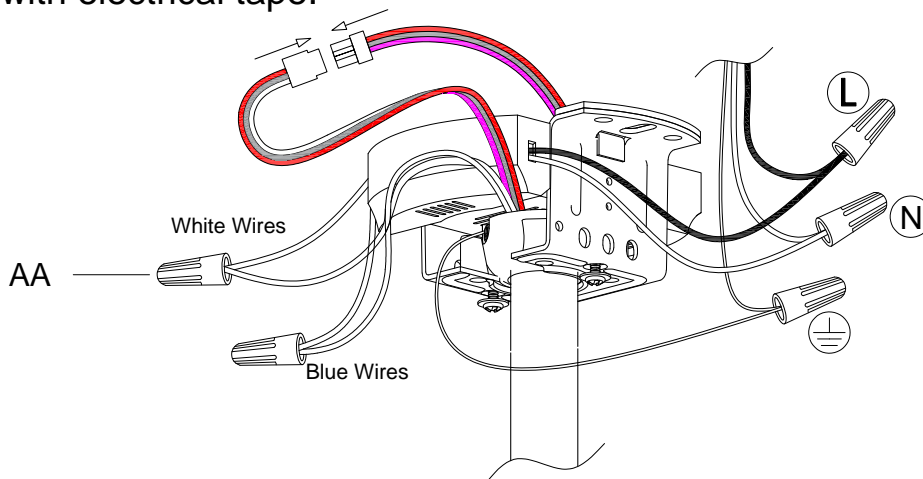
4 Connect the Wires

4.1. Insert the receiver (B) into the gap of bracket (A).



4.2. Connect the wires on the fan to the receiver (B).

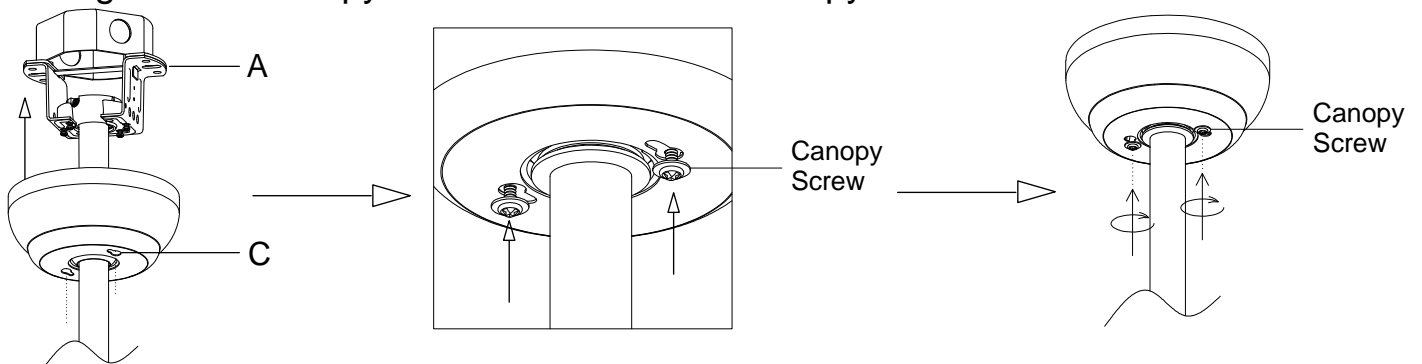
4.3. Connect the wires from the receiver to the house supply wires with small wire nuts (AA), ground wire (green, green/yellow, or bare copper) to ground wire, neutral wire (white) to neutral wire, and hot wire (black) to hot wire. Wrap the connection with electrical tape.



5. Attach the Canopy

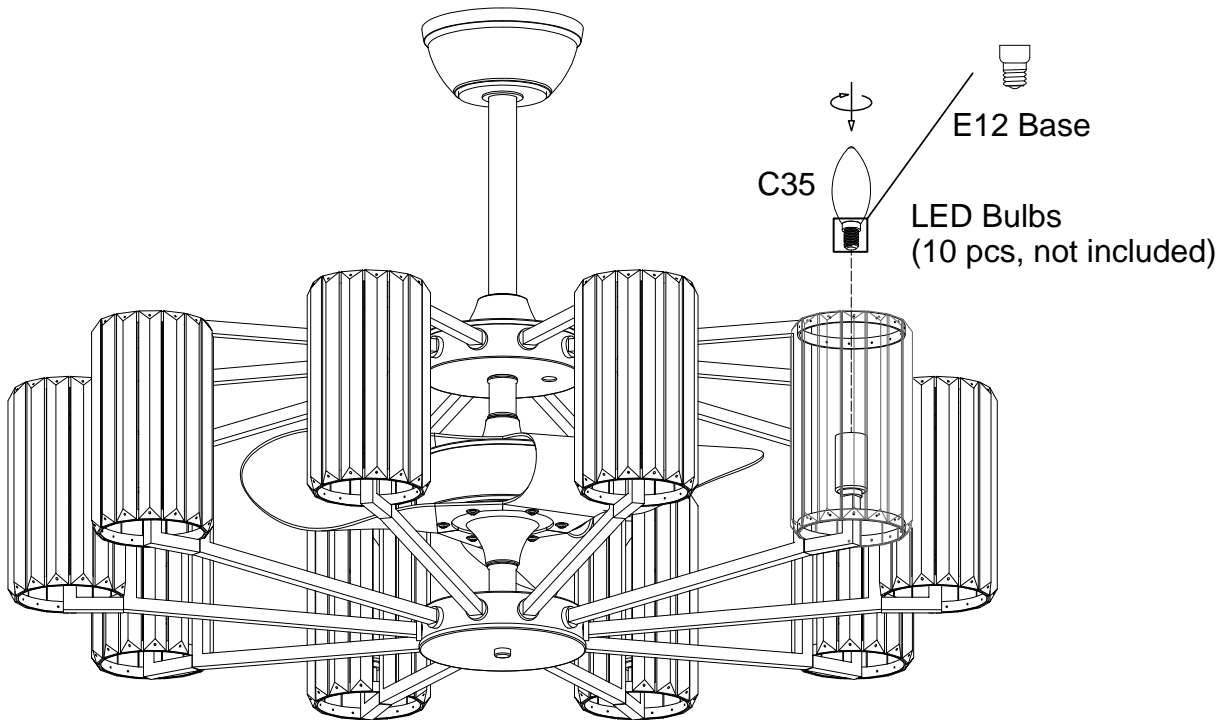
5.1. Push canopy (C) up to the ceiling, making canopy screws go through the screw holes on canopy, then rotate canopy to make it lock onto the canopy screws.

5.2. Tighten the canopy screws to secure the canopy.




6. Install Light Bulbs

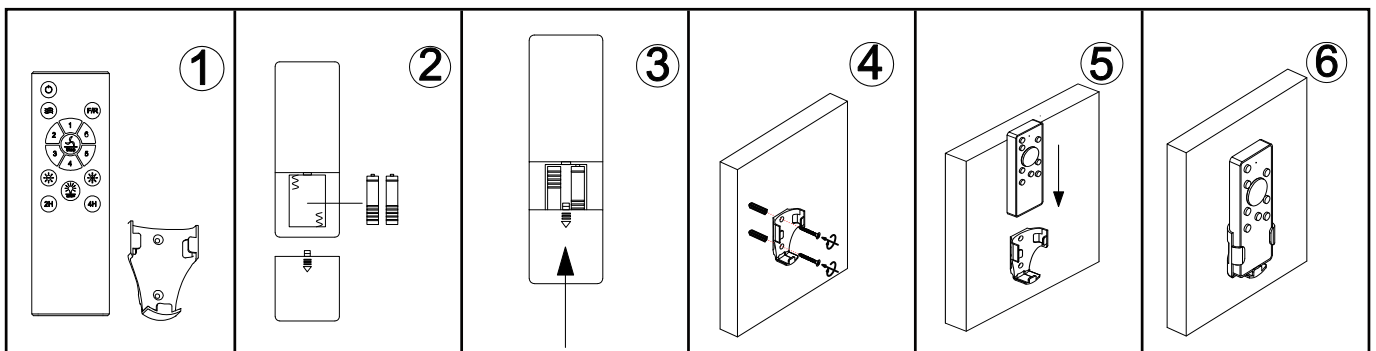
Install light bulbs (Use only E12 LED bulbs, max 8W each).



NOTE:

1. Dimming requires dimmable LED bulbs, max 8W per bulb.
2. For bulbs with color temperature control, repeatedly switch "on" and "off" using the wall switch or the remote's "light ON/OFF" button () to change settings.
3. The illustrated bulb is recommended and compatible alternatives may be selected as needed.

7. Install Remote Holder



1. Insert 2 batteries before using: AAA 1.5V battery x 2pcs (not included)
2. Install the remote holder onto the wall with screws.

Remote Control Instructions

| | | |
|--|--|--|
| | | Turn off the fan and lights. |
| | | Natural wind, fan speed will change automatically. |
| | | Fan moves forwards or reversely. |
| | | 1/2/3/4/5/6 for fan speeds. |
| | | Turn off the fan. |
| | | Adjust the brightness of the light. |
| | | Turn on/off the lights. |
| | | 2H/4H for timing the fan. |

NOTE:

Please insert 2 batteries before using. AAA 1.5V battery x 2pcs (not included).

REMOTE SIGNAL PAIRING: If the remote control loses signal with the fan, turn off the power from wall switch, then turn it on, immediately press and hold the button for around 3 seconds, after the fixture beeps or flashes, it's done.

Trouble Shooting

1. Fan doesn't work

- Make sure the fixture is connected to an ON/OFF wall switch, not a dimmer switch.
- Check the remote control battery (not included in this package).
- Check the circuit breaker to ensure the power is on.
- Turn off power from the circuit breaker, then loosen the canopy and check all the connections according to the wiring diagram.

2. Lights Do Not Light Up / Flicker / Noisy Operation

- Make sure the fixture is connected to an ON/OFF wall switch, not a dimmer switch.
- Check your power and switch to make sure it's powered on.
- Check the bulb to make sure it's installed correctly.
- Change a new bulb.

3. Noisy Operation

- Tighten the light fitting and blade bottom cover.
- Re-tighten all screws on the bracket, downrod, and fan blades (do not over tighten).
- Check to see if any of the blades are cracked. If so, replace all of the blades.

4. Remote does not work

- Make sure the battery is installed correctly.
- Pair the remote control again (see Remote Control Instructions).
- Install 2 new batteries.

Clean And Care

To clean, wipe the fixture with a soft cloth. Spraying from chemical cleaners can discolor the finish of the fixture. Do not use scouring pads, powders, steel wool, or abrasive paper to clean this fixture.

Ordering Parts

Keep this manual for future reference, and in case replacement parts are needed. Available parts can be ordered from the place of purchase. Use exact wording from diagrams when ordering parts.