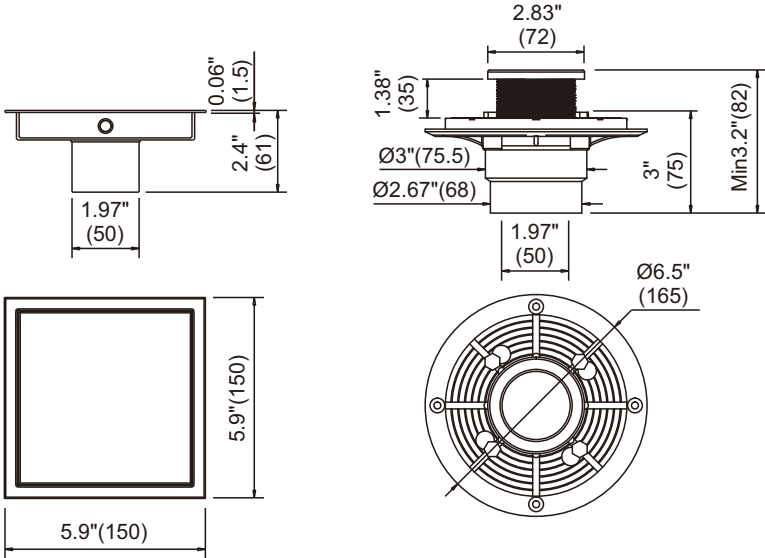
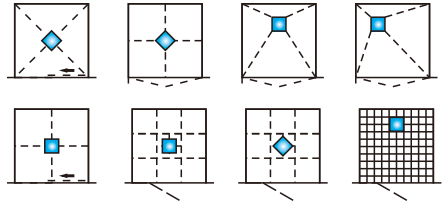


unit:inch (mm)



## 1. Shower Drain Placement

The placement of the shower drain should be ideally at the end wall or at the threshold of the shower.

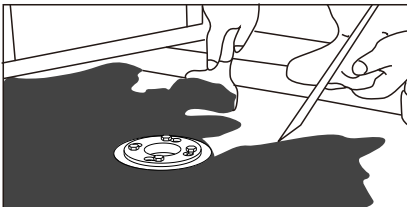


## 2. Locate Pipework

Re-locate rough -in pipework if necessary to align with desired placement of shower drain. Cover with flooring mortar as necessary.

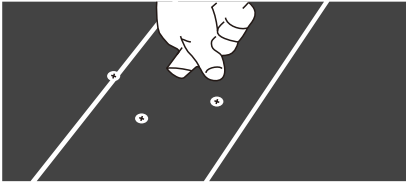
## 3. Install Drain Base

Install a 2" threaded drain base with a preferred method to the rough-in pipe.  
Note: drain base not supplied.



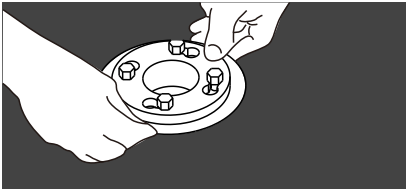
#### 4. Waterproof Floor

Install a waterproofing membrane over the floor and cut to size. Cut out an area for the drain base opening and secure the membrane in place over the drain base with the clamping ring.



#### 5. Install clamping ring rubber gasket

Assemble the clamping ring to the drain base, and then install the rubber gasket into the clamping ring, fasten the assembly with the screws.



#### 6. Insert Drain Channel

Insert the drain channel into the rubber gasket. Push the a Little Oil to The Rubber Gasket or Channel Outlet will channel down to the correct height. **SMALL TIPS:** Rub in Makes Installation More Easily.



#### 7. Level the Drain

Use the leveling feet to level the unit for proper drainage and to help stabilize the channel during for installation. Note: the top of the drain channel should be flush with the surface of the finished floor.

#### 8. Flooring

Complete the installation of the shower drain by installing the preferred flooring.

#### Exploded view of the typical linear drain components

