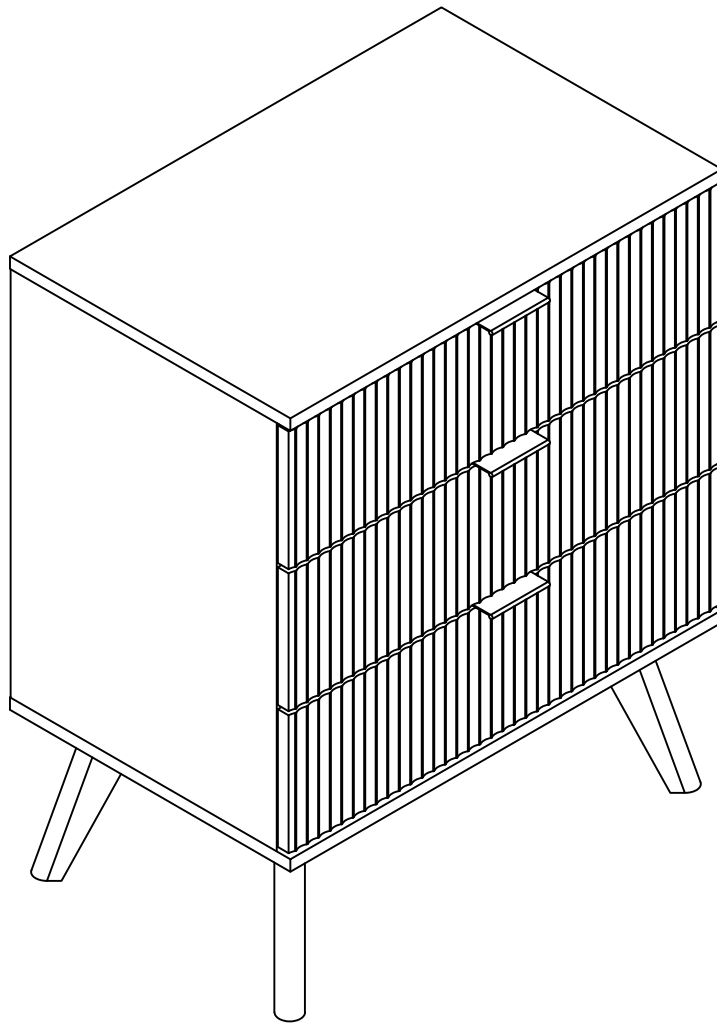


Installation Instruction



Assembling

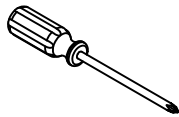
Estimated time for assembly



45 : 00

What you need

- Use the packaging carton as a working surface to prevent product damage during assembly
- Phillips head screwdriver



Weight Limitation



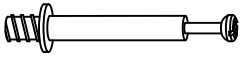
100 | **35**
lbs table top lbs per

What' included

Code	Description	Qty
A	Cam Bolt M6X35MM	16
B	Cam Lock 15X12MM	16
C	Wooden Dowel M8X30MM	24
D	Screw M4X40MM	18
E	Screw M3.5X14MM	2
F	The metal plate	4
G	Nylon Strap	2
H	Screw M3.0X14MM	48
I	Metal shake handhandle	3
J	Plastic Angle code	8
K	Anchor	2
L	MATS	4
M	MATS	1
CL	Left mother extended orbit	3
CR	Right mother extended orbit	3
DL	Left public extension track	3
DR	Right public extends track	3

The Hardwares

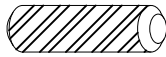
A



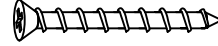
B



C



D



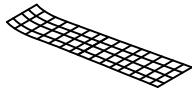
E



F



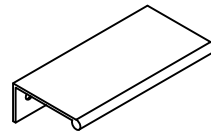
G



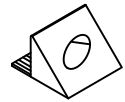
H



I



J



K



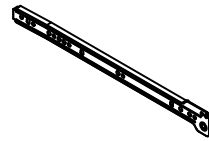
L



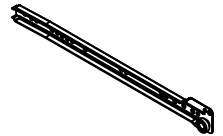
M



CL



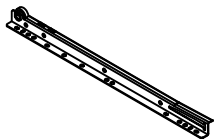
CR



DL



DR



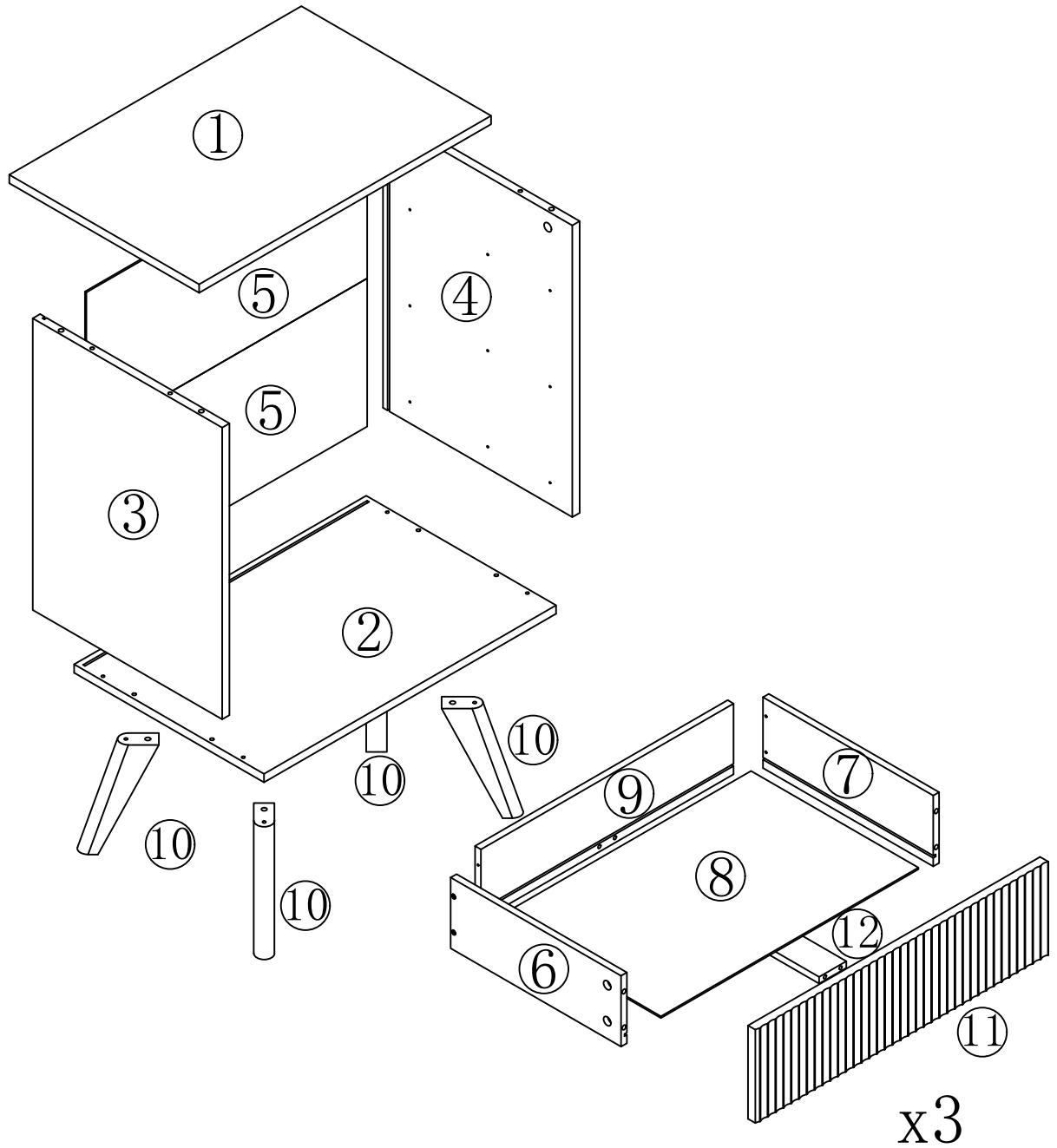
IMPORTANT:

1. Do not tighten bolts / screws completely until all bolts / screws are lined up and inserted into holes.
2. Do not over tighten screws and bolts to avoid stripping
3. Please use hand tools to assemble this product. Do not use power tools.

Included Accessories

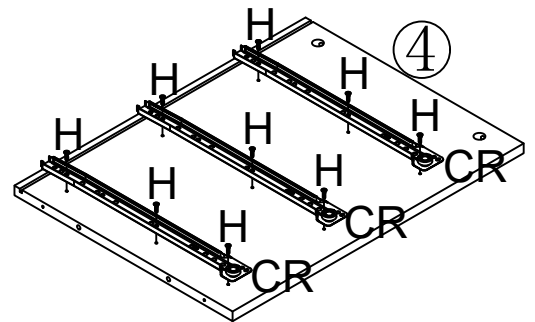
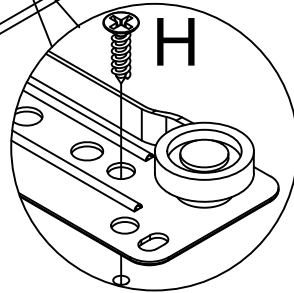
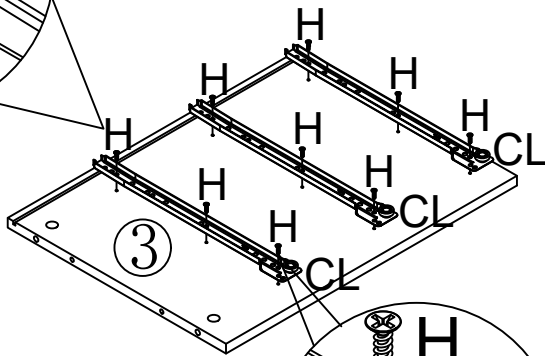
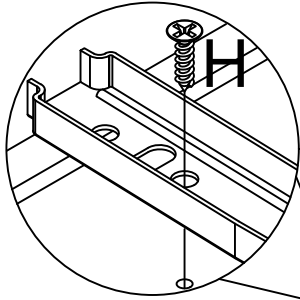
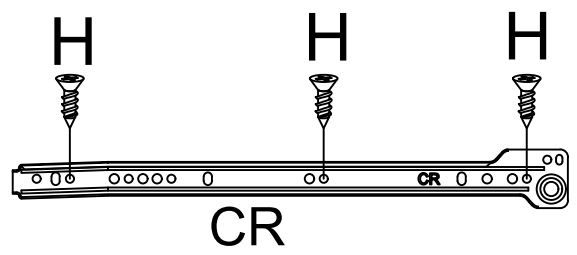
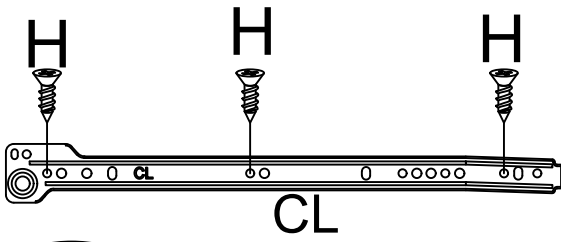
Code	Description	Qty
1	Cabinet Top	1
2	Bottom Panel	1
3	Left Side Panel	1
4	Right Side Panel	1
5	Back Panel	2
6	Drawer left panel	3
7	Drawer right side panel	3
8	The drawer bottom	3
9	After the drawer board	3
10	Solid wood feet	4
11	The drawer face	3
12	At the bottom of the drawer	3

The Accessoriess



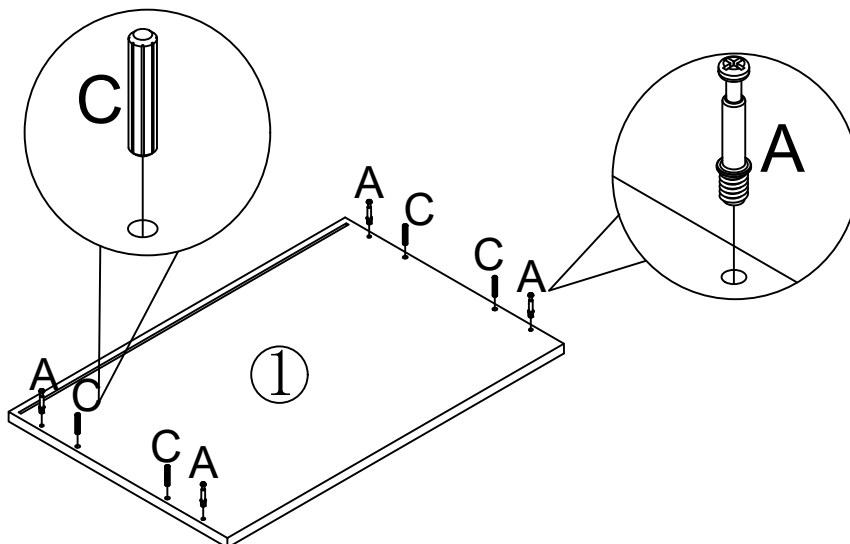
Step 1

CL	×3	CR	×3	H	×18

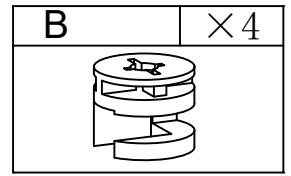
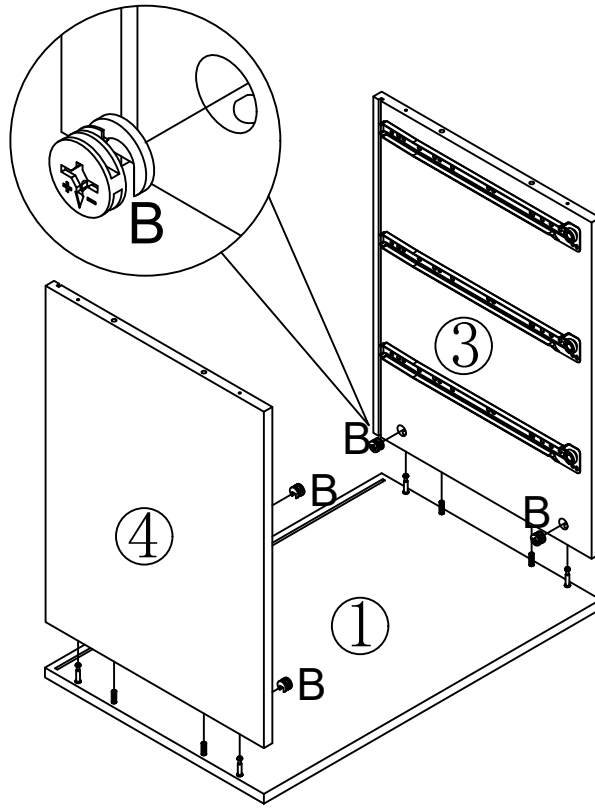


Step 2

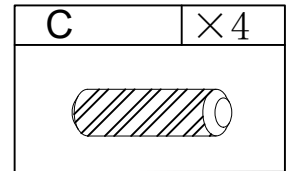
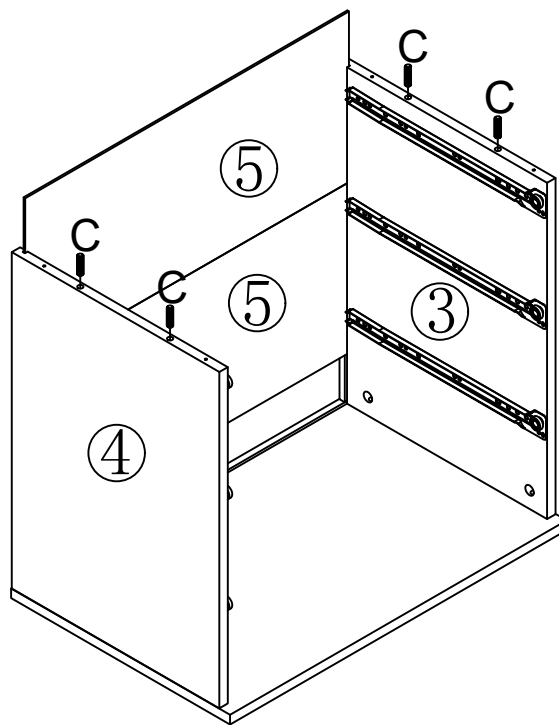
A	×4	C	×4



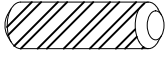
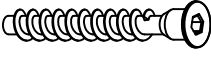


Step 3

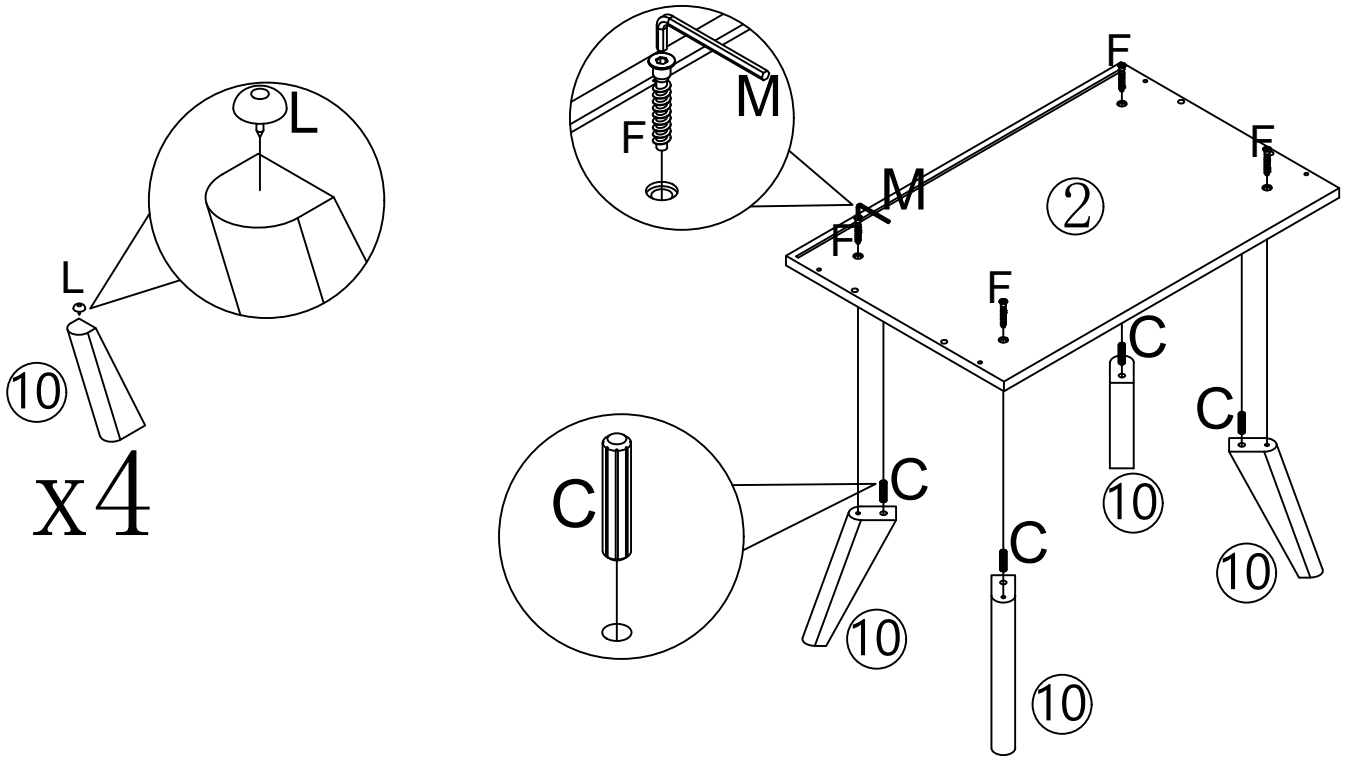


Step 4

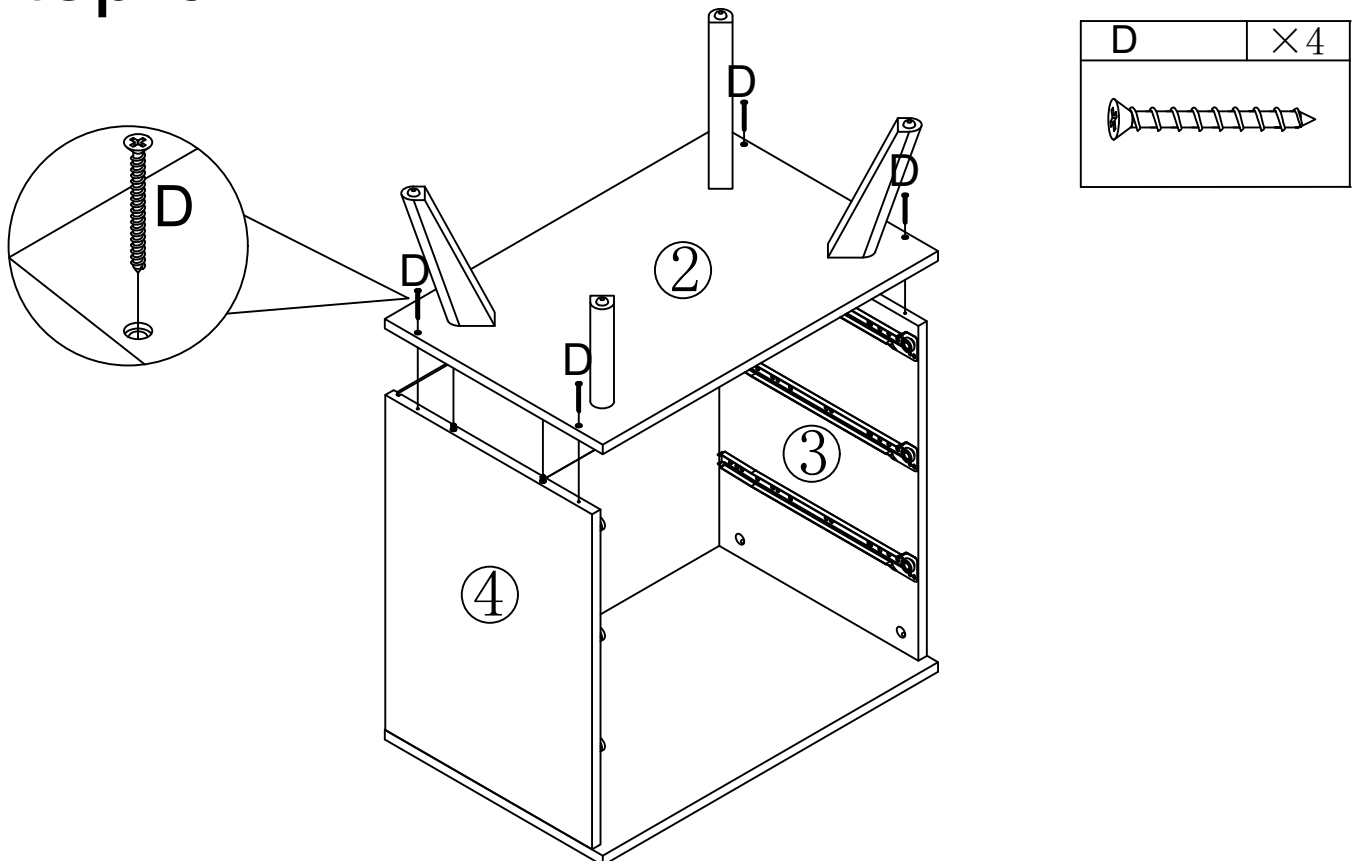


Step 5

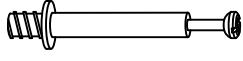

C	×4	F	×4	L	×4	M	×1
							

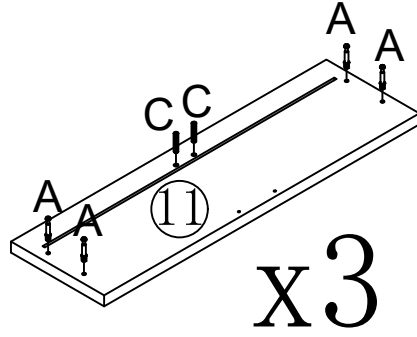


Step 6




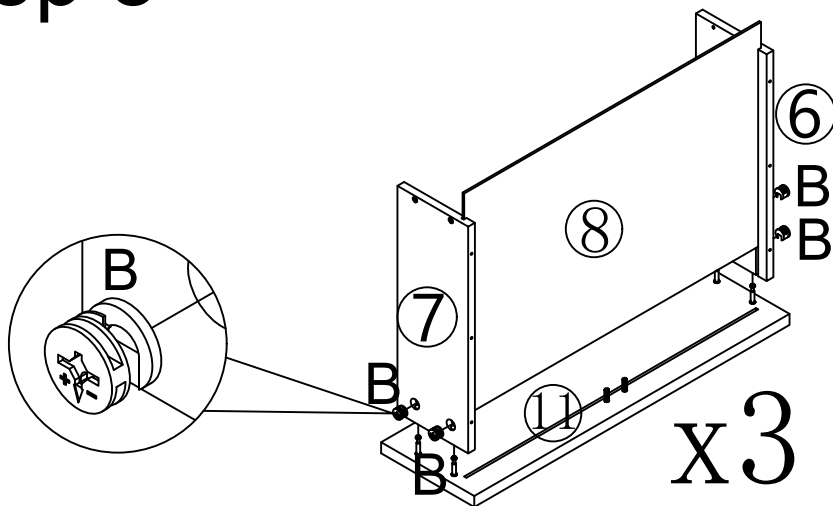
Step 7

A	×12	C	×6
			

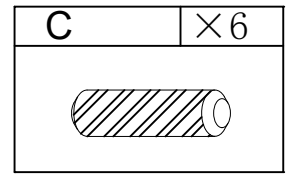
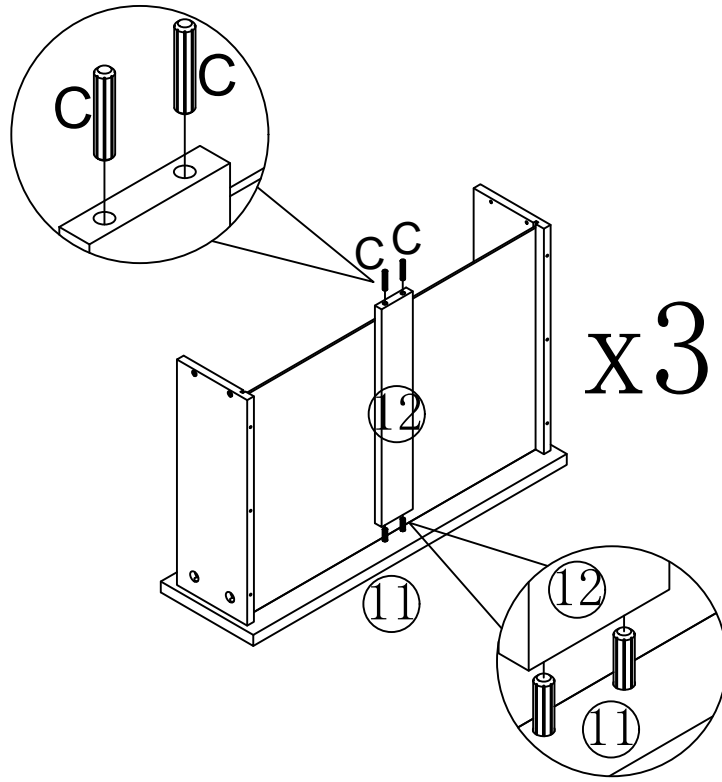


Step 8

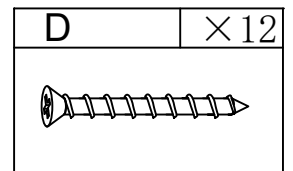
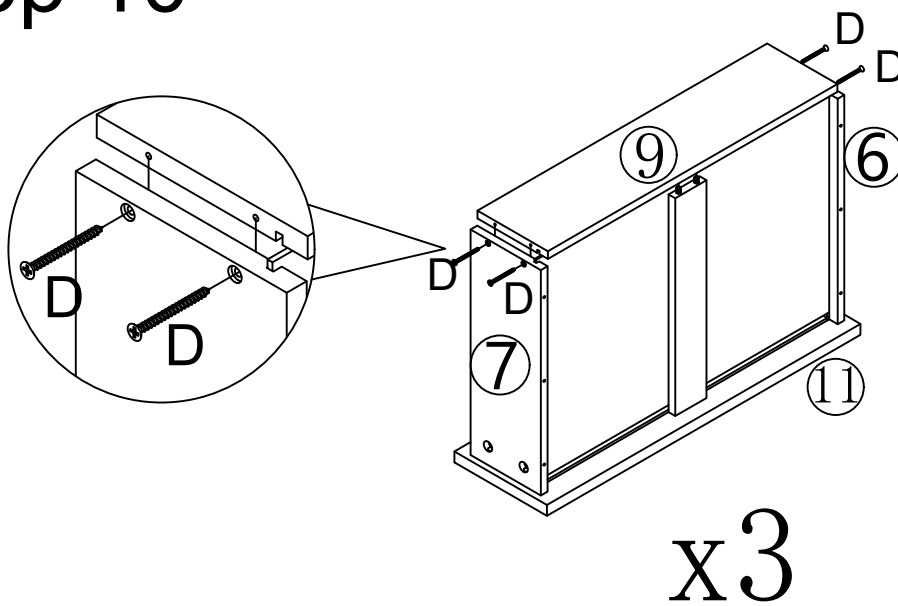
B	×12
	



Step 9

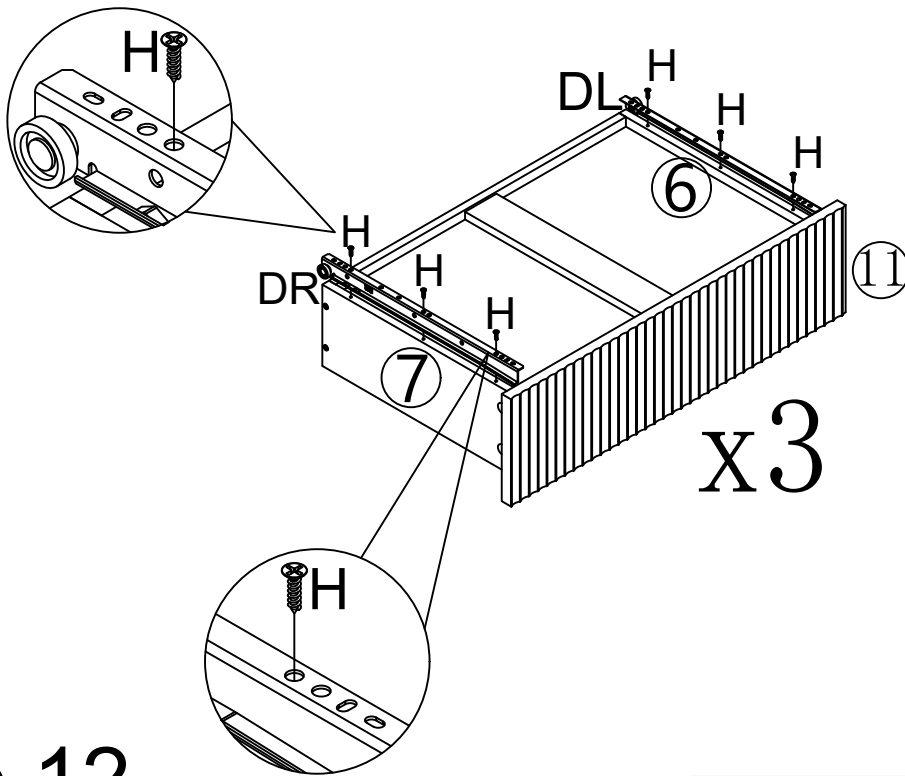
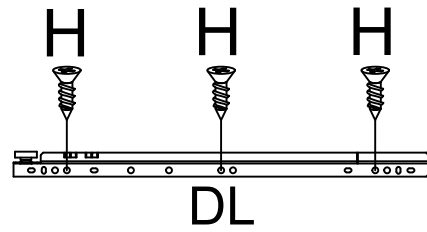
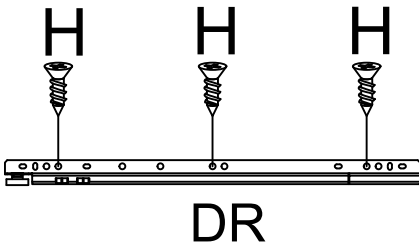


Step 10



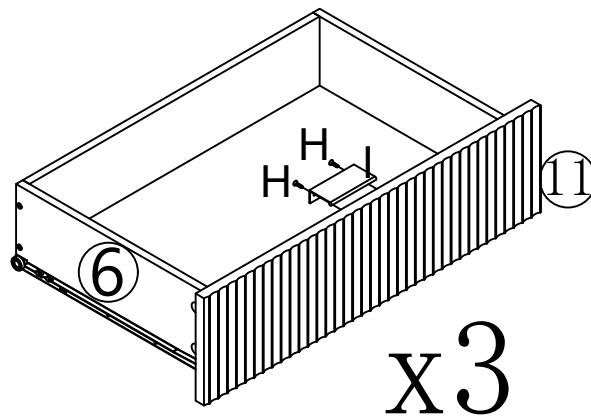
Step 11

DL	×3	DR	×3	H	×18

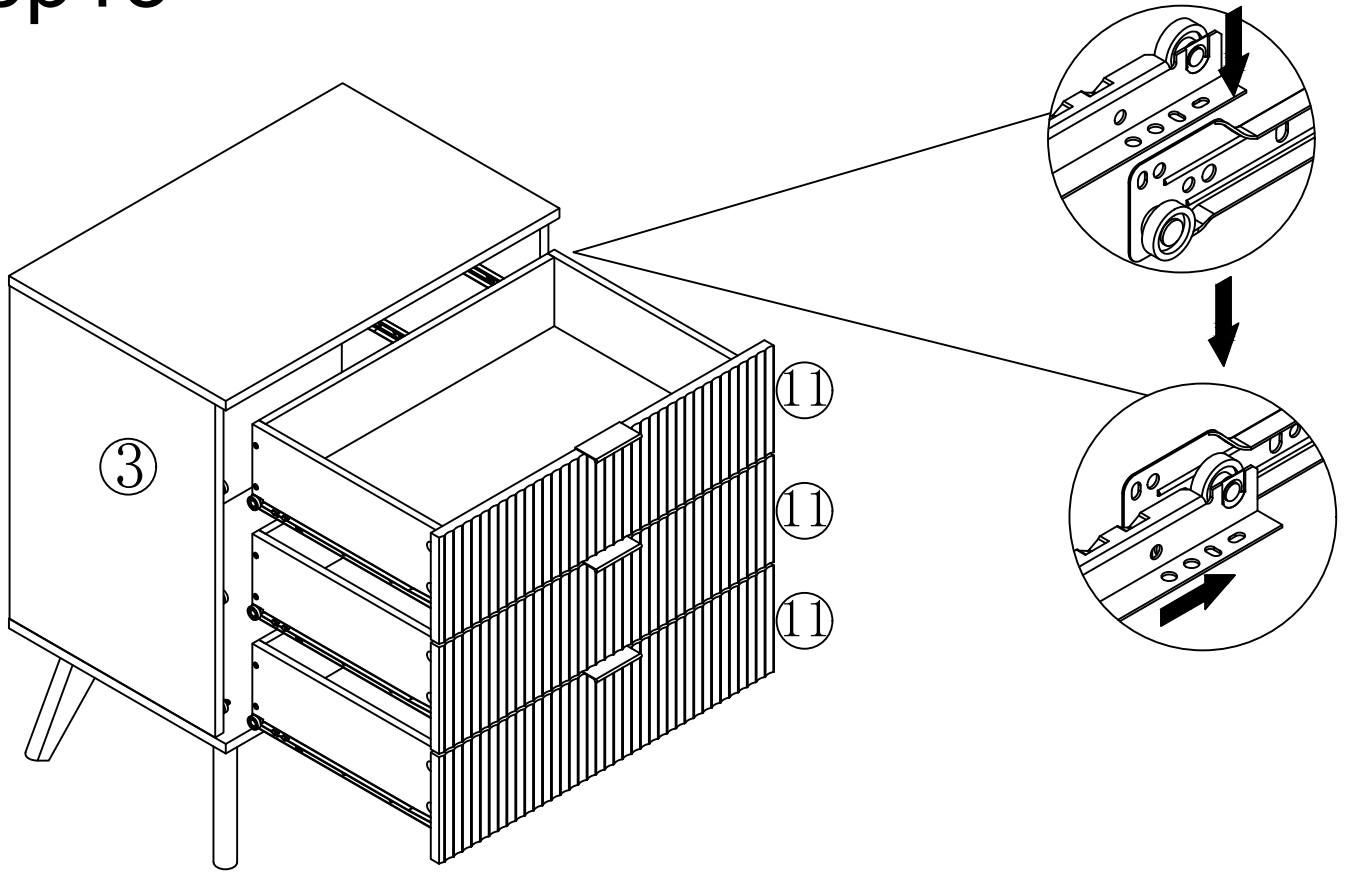


Step 12


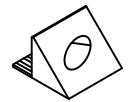
H	×6	I	×3

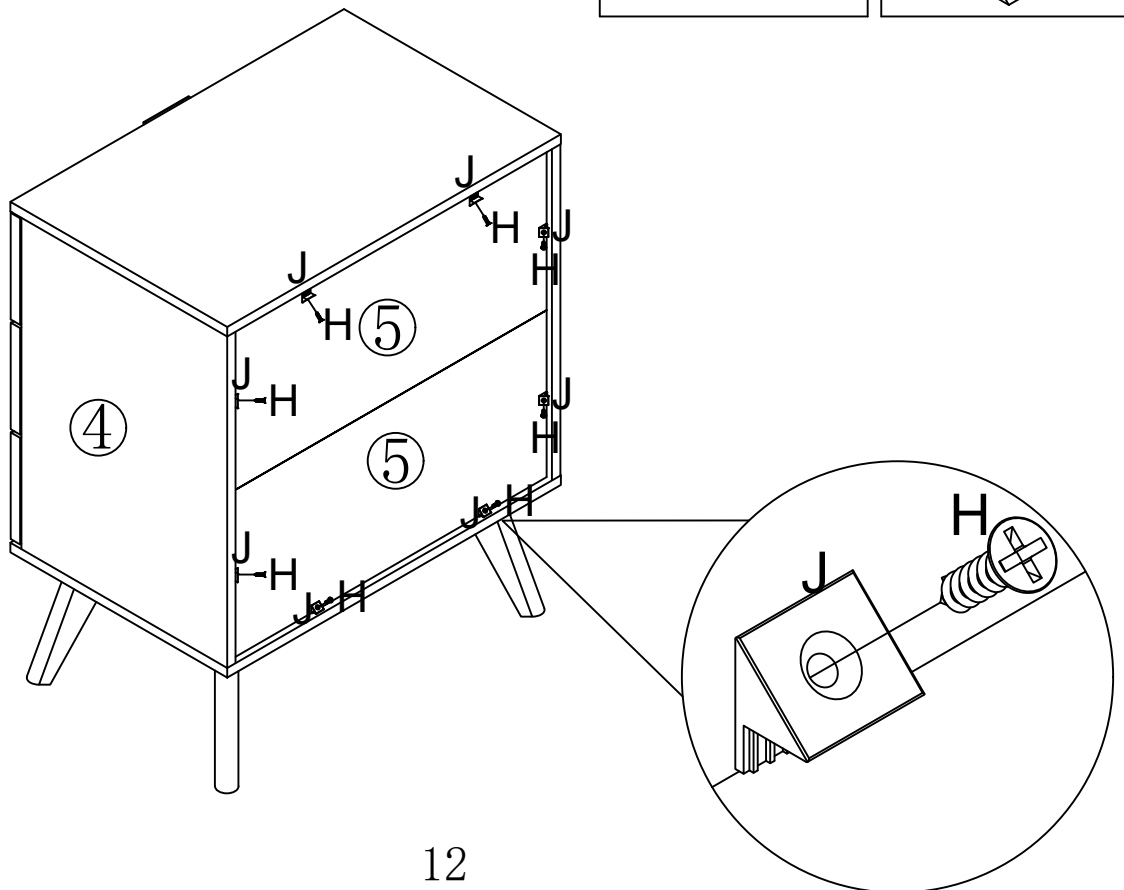


Step 13

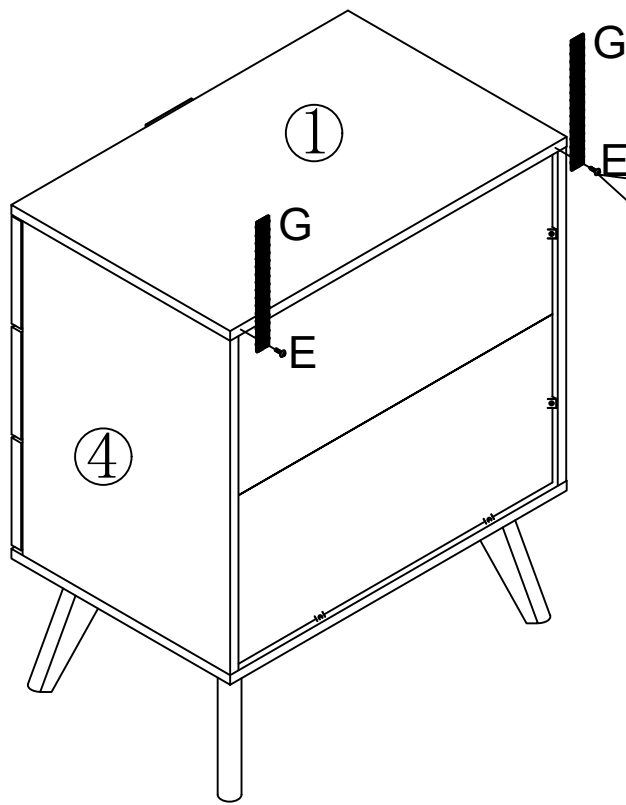



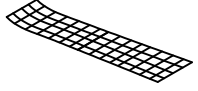
Step 14

H	×8	J	×8
			

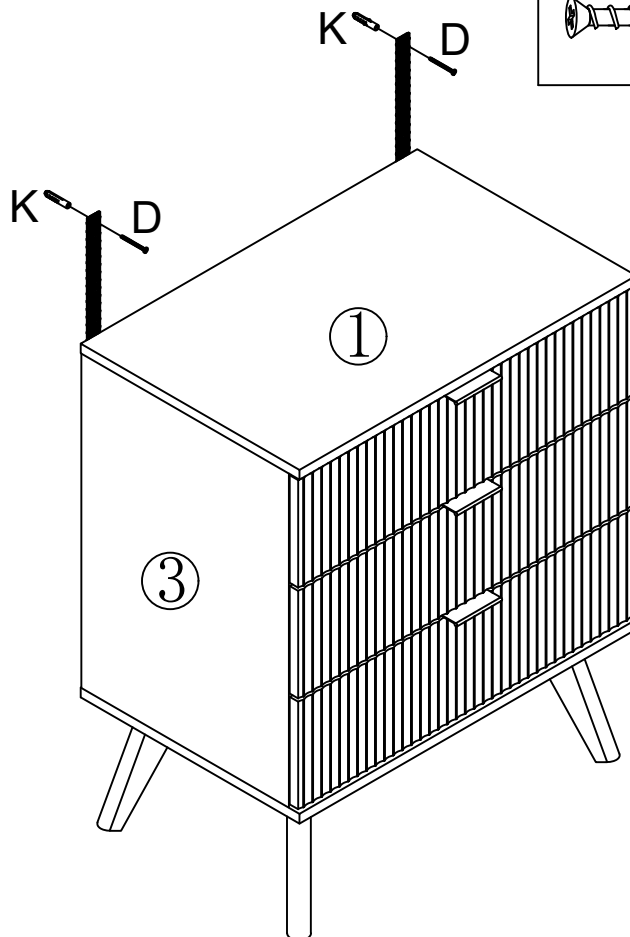


Step15



E	×2	G	×2
			

Step16



D	×2	K	×2
