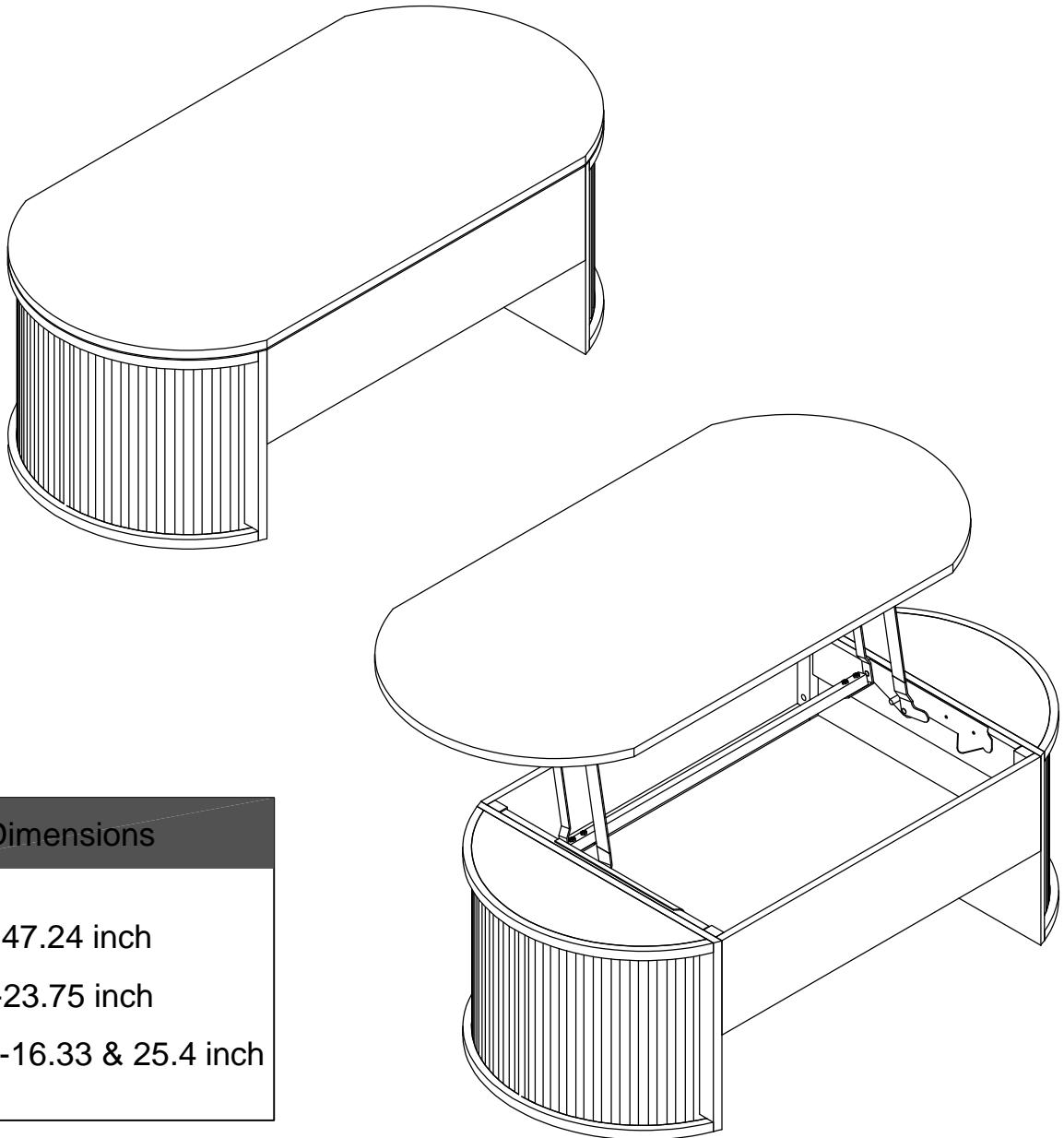


COFEE TABLE - N724P391007

Assembly Instructions - Please keep for future reference



Dimensions

Width-47.24 inch

Depth-23.75 inch

Height-16.33 & 25.4 inch

Important - Please read these instructions fully before starting assembly



Safety and Care Advice

Important – Please read these instructions fully before starting assembly

- Check you have all the components and tools listed on the following pages.
- Remove all fittings from the plastic bags and separate them into their groups.
- Keep children and animals away from the work area, small parts could choke if swallowed.
- Make sure you have enough space to layout the parts before starting.

- During assembly do not stand or put weight on the product, this could cause damage.
- Assemble the item as close to its final position (in the same room) as possible.
- Assemble on a soft level surface to avoid damaging the unit or your floor.
- Parts of the assembly will be easier with 2 people.



- To reduce the likelihood of damaging your product please ensure that your power drill is set on a low torque setting.

Care and maintenance

- Only clean using a damp cloth and mild detergent, do not use bleach or abrasive cleaners.
- From time to time check that there are no loose screws on this unit.
- This product should not be discarded with household waste. Take to your local authority waste disposal centre.

Handy Hints

- Assemble all parts and bolts loosely during assembly, only once the product is complete should you fully tighten the bolts
- Regularly check and ensure that all bolts and fittings are tightened properly.

WARNING In order to help prevent overturning – please follow these instructions

To help prevent product toppling over please follow the below steps:-


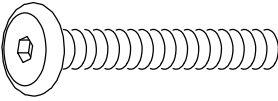

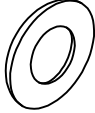
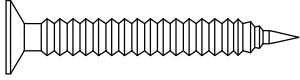
Use the anti tip strap or wall fixing method provided (if applicable)
Do not allow children to climb or hang on the furniture
Do not open more than one drawer at a time
Do not place heavy items in the top drawers
Do not place heavy items on top of the furniture, unless the furniture has been designed for this purpose

Please note that only the anti tip strap is provided.
You will need to provide wall plugs and screws applicable for your wall type

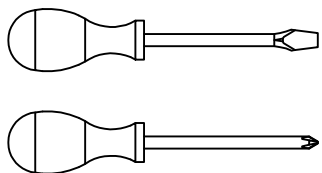
Components - Fittings

Please check you have all the panels listed below

Note: The quantities below are the correct amount to complete the assembly. In some cases more fittings may be supplied than are required.

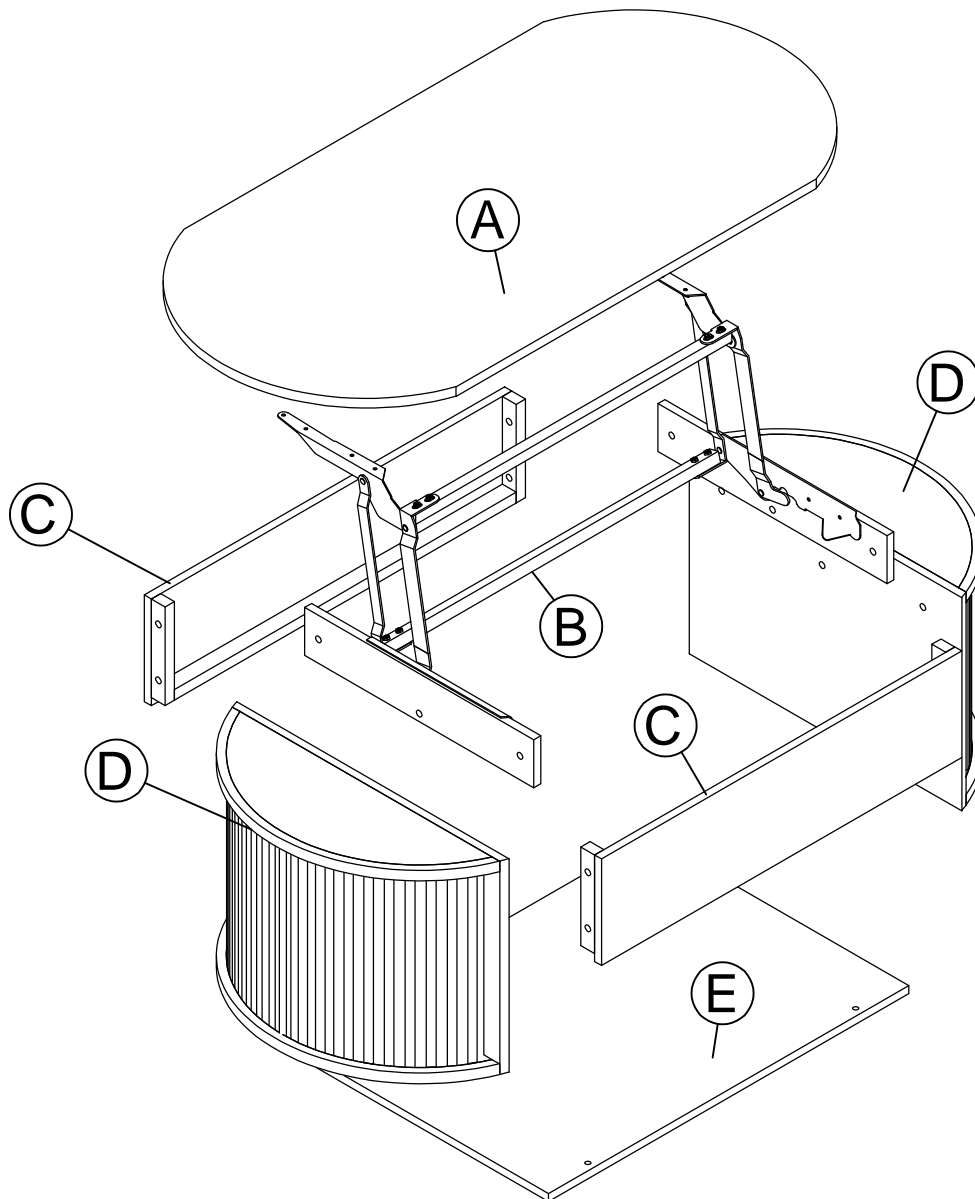
<p>①</p>  <p>ALLEN KEY 4mm (1PC)</p>	<p>②</p>  <p>BOLT 1/4" x 25mm (18PCS)</p>
<p>③</p>  <p>LOCK WASHER 1/4" (18PCS)</p>	<p>④</p>  <p>FLAT WASHER 1/4" (18PCS)</p>
<p>⑤</p>  <p>WOOD SCREW #4 x 15 mm (8PCS)</p>	

Tools required



Phillips Screwdriver
(medium & large)

Assembly Instructions



Assembly Instructions

Ⓐ

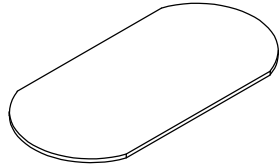
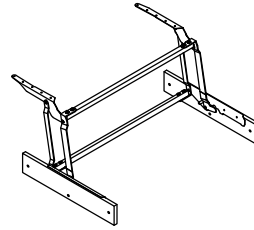


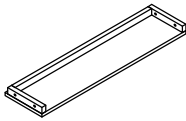
TABLE TOP (1PC)

Ⓑ



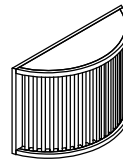
LIFTING KIT (1PC)

Ⓒ



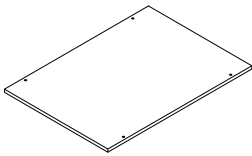
MOUNTING PLATE (2PCS)

Ⓓ



LEGS FRAME (2PCS)

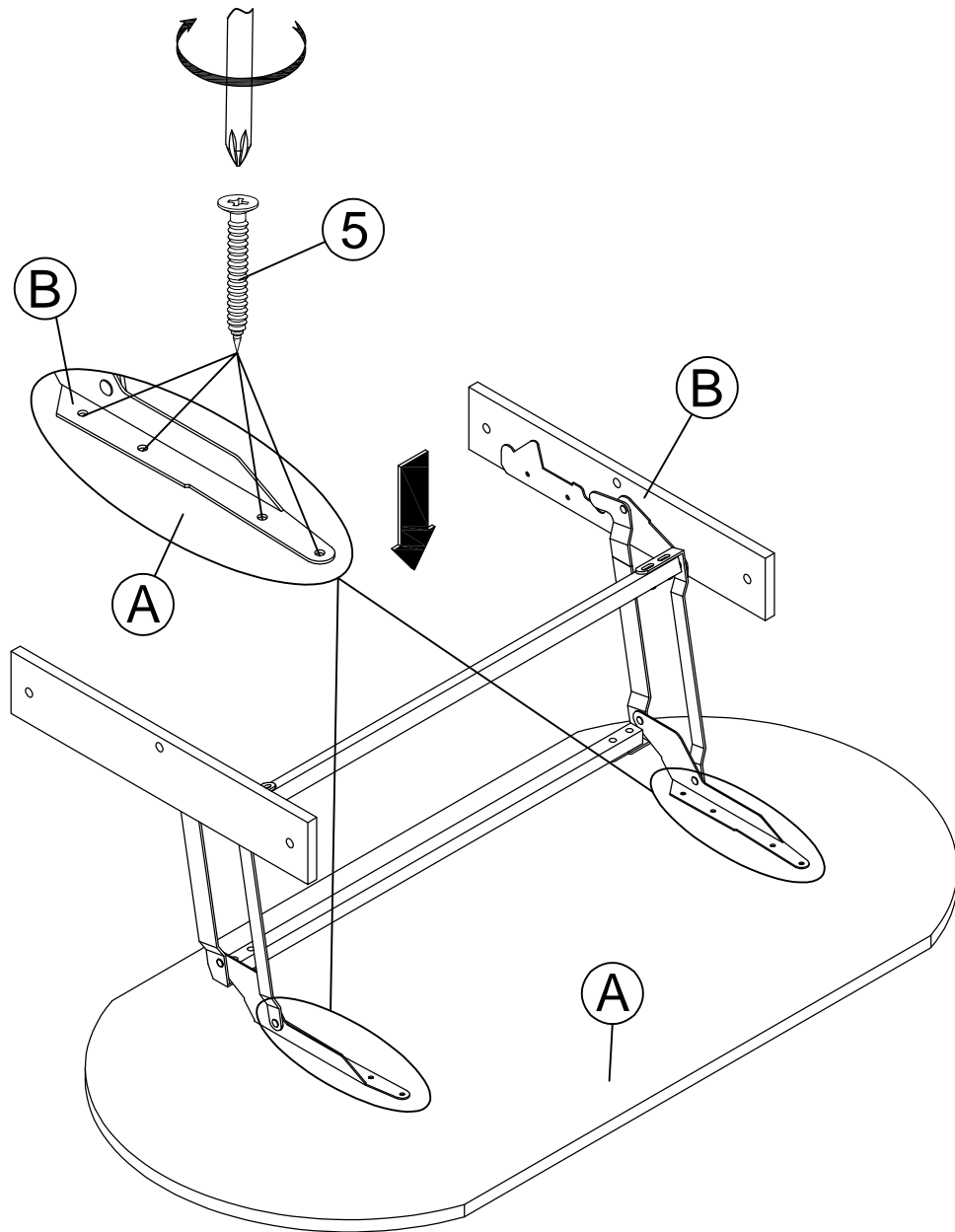
Ⓔ



BOTTOM PANEL (1PC)

Assembly Instructions

Step 1



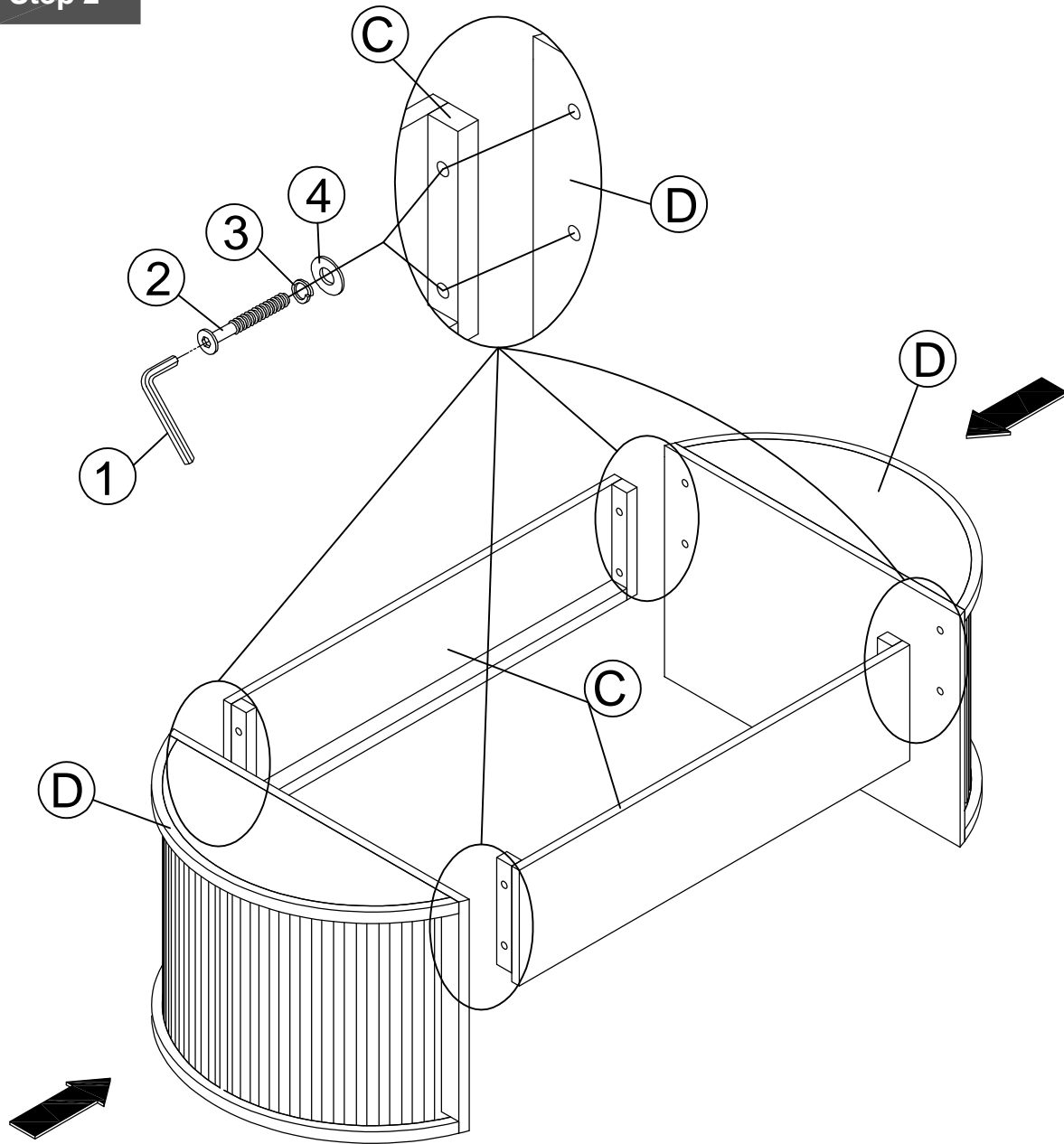
5



WOOD SCREW #4 x 15 mm (8PCS)

Assembly Instructions

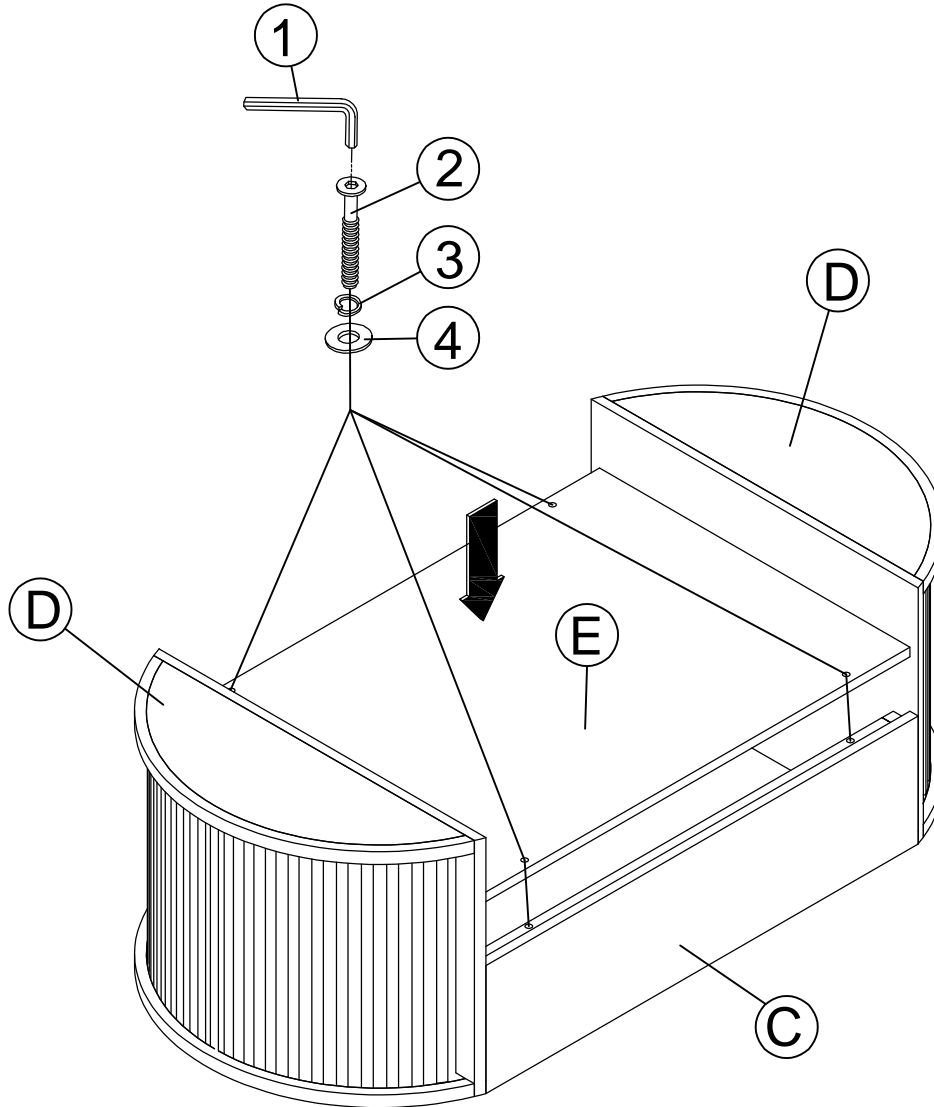
Step 2







 ① ALLEN KEY 4mm (1PC)	 ② BOLT 1/4" x 25mm (8PCS)	 ③ LOCK WASHER 1/4" (8PCS)	 ④ FLAT WASHER 1/4" (8PCS)
---------------------------	-------------------------------	-------------------------------	-------------------------------

Assembly Instructions

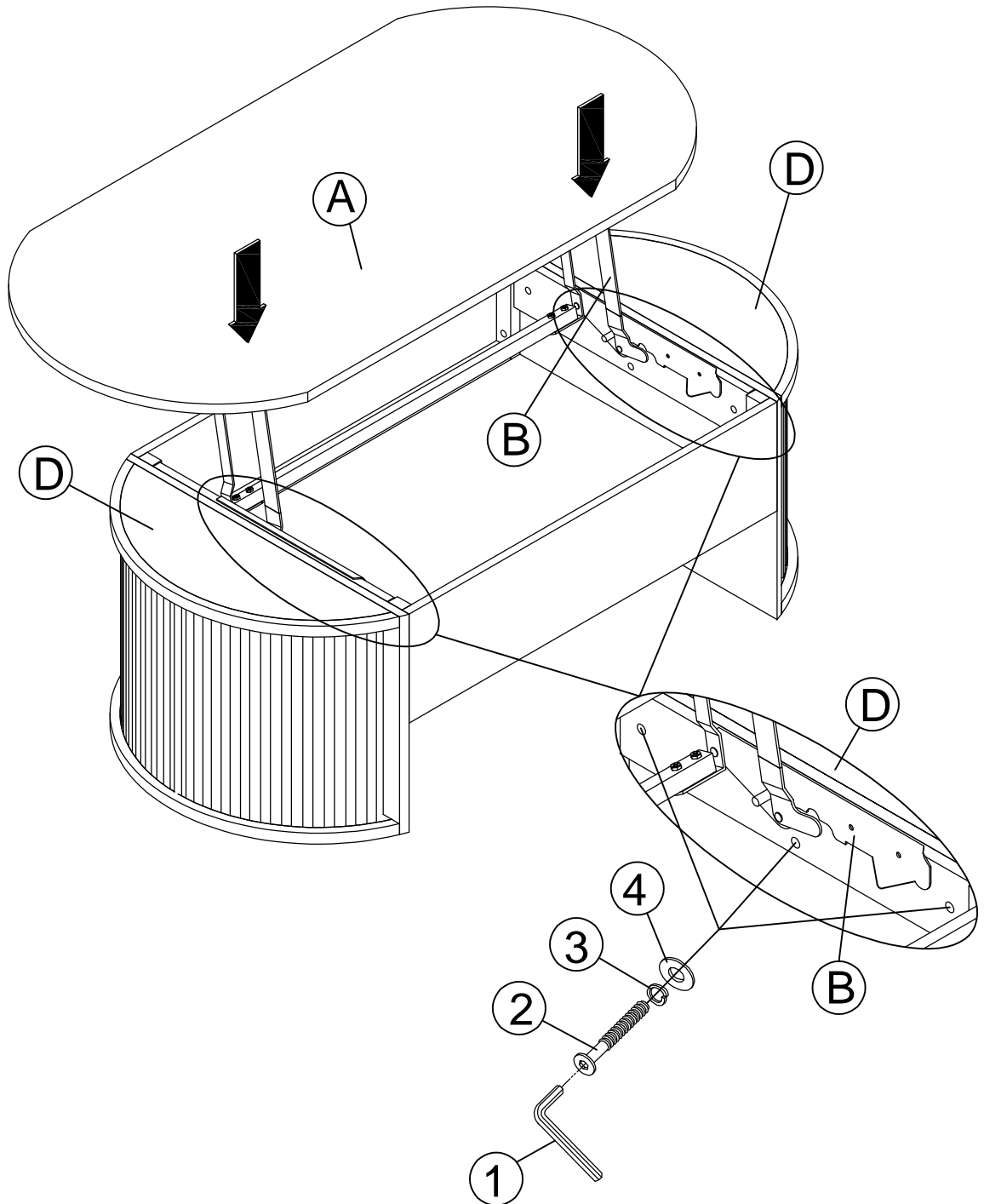
Step 3







<p>①</p>  <p>ALLEN KEY 4mm (1PC)</p>	<p>②</p>  <p>BOLT 1/4" x 25mm (4PCS)</p>	<p>③</p>  <p>LOCK WASHER 1/4" (4PCS)</p>	<p>④</p>  <p>FLAT WASHER 1/4" (4PCS)</p>
---	---	---	---

Assembly Instructions

Step 4



 ① ALLEN KEY 4mm (1PC)	 ② BOLT 1/4" x 25mm (6PCS)	 ③ LOCK WASHER 1/4" (6PCS)	 ④ FLAT WASHER 1/4" (6PCS)
--	--	---	---

Assembly Instructions

Completed

