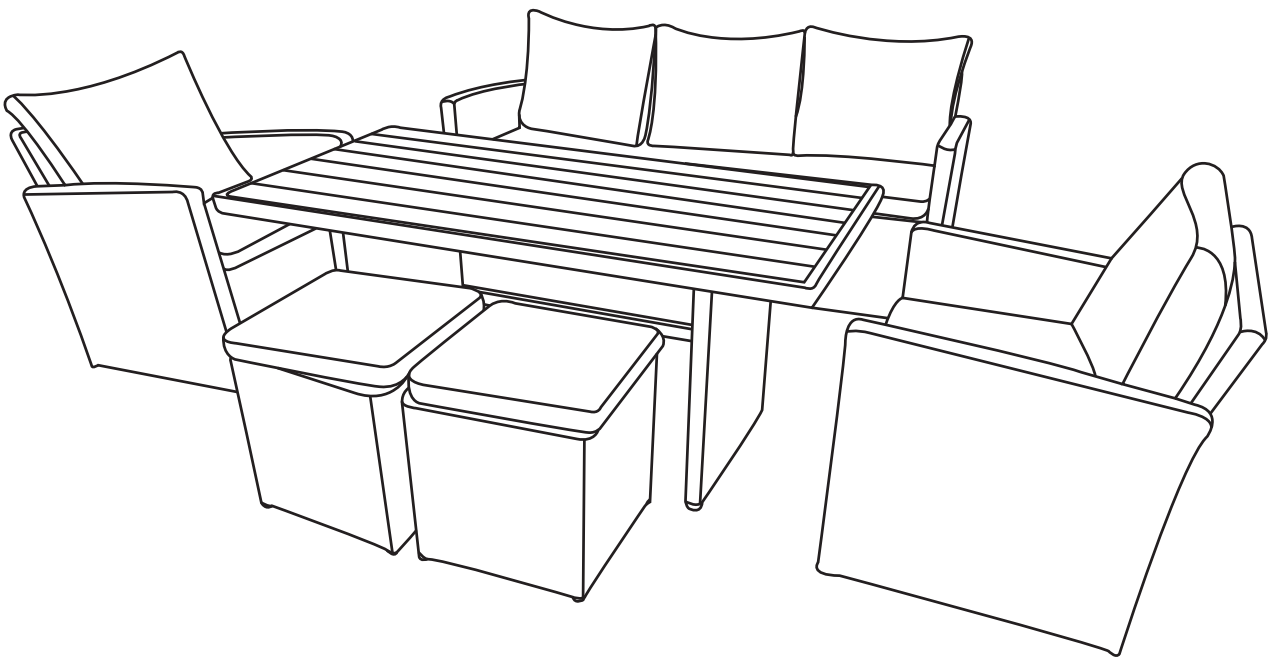



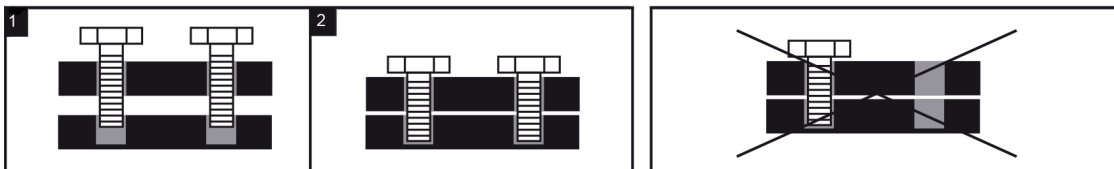
WIT200056/57/58

6-Piece PE Wicker Sofa Set

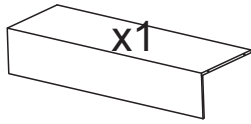


Screw assemble notice

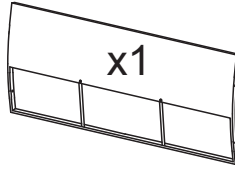
 Please position all screws without completely tightening, then screw down once all the screws are in place and the article is straight. DO NOT over tighten hardwares!



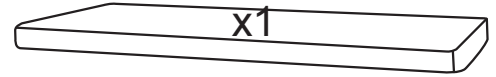
CARTON 1/3



sofa seat panel



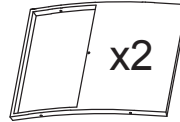
sofa backrest



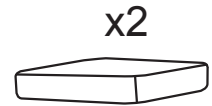
sofa seat cushion

Hardware fittings

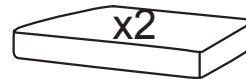
Item no.	Reference Image	Description	Qty.
D1		screw M6X35	28
D		screw M6X40	17
E		screw M6X70	6
F		washer	51
G		allen key	5



armchair backrest



stool cushion



armchair seat cushion



back cushion

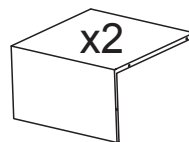
CARTON 2/3



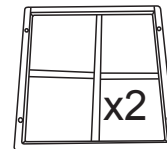
left armrest



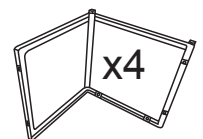
right armrest



armchair seat panel



stool top



stool side panel

CARTON 3/3



table top



linking tube

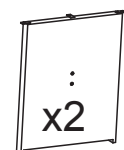


table leg



washer



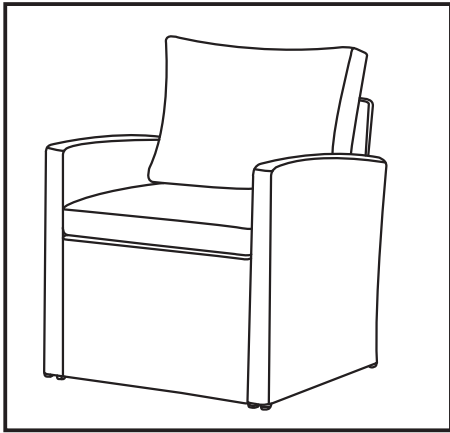
screw M6X20




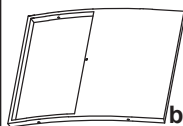









allen key

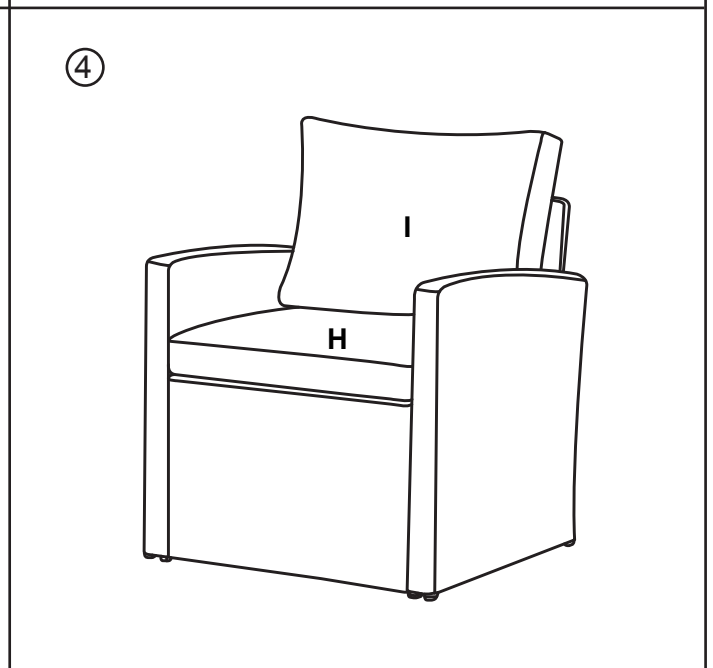
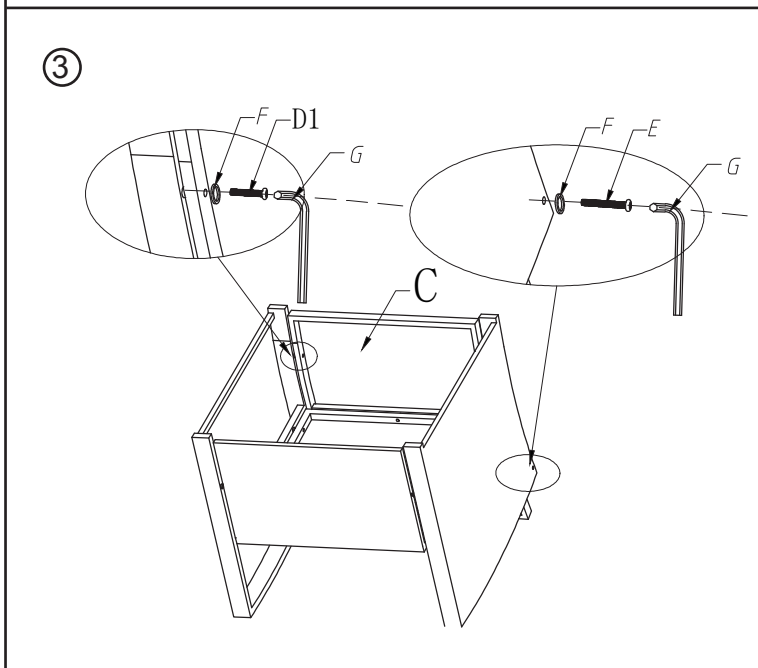
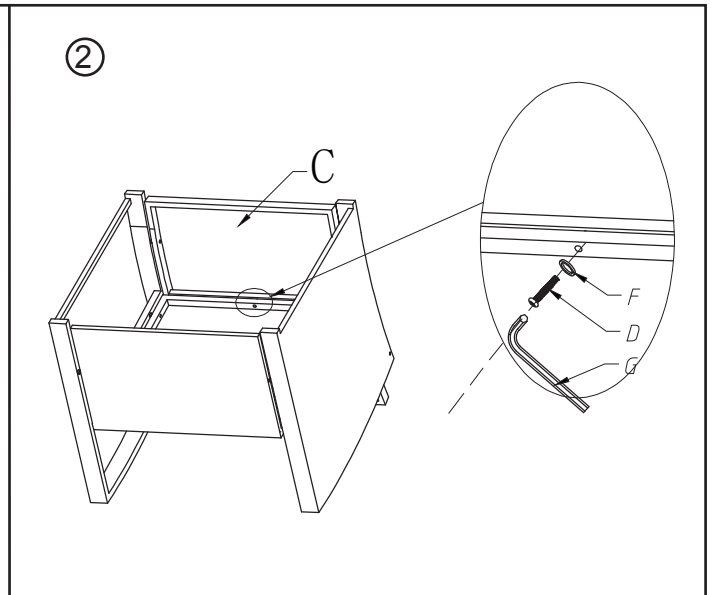
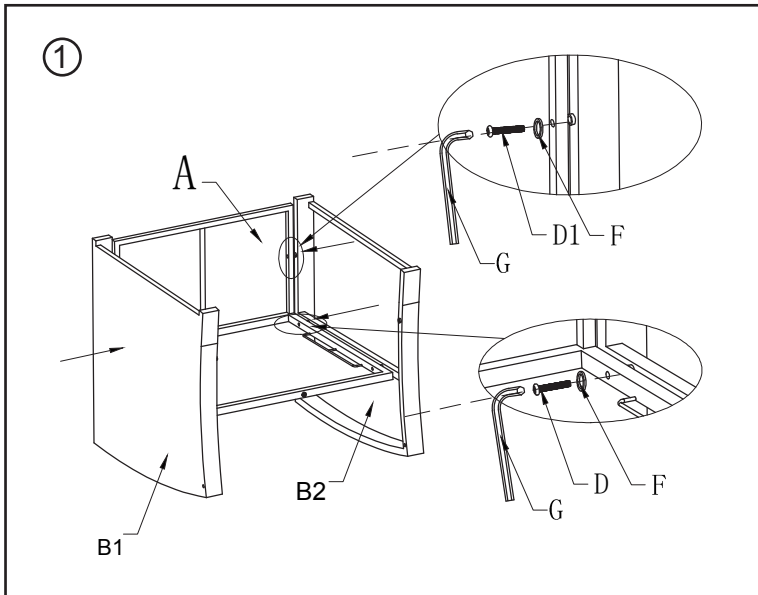
ASSEMBLY

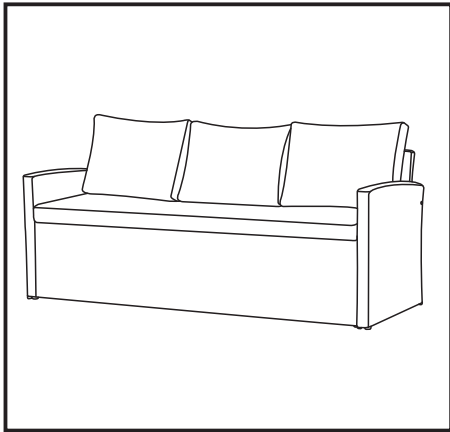
chairx2


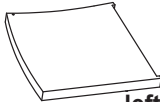











A	 Seat panel	2
B1	 left armrest	2
B2	 right armrest	2
C	 backrest	2

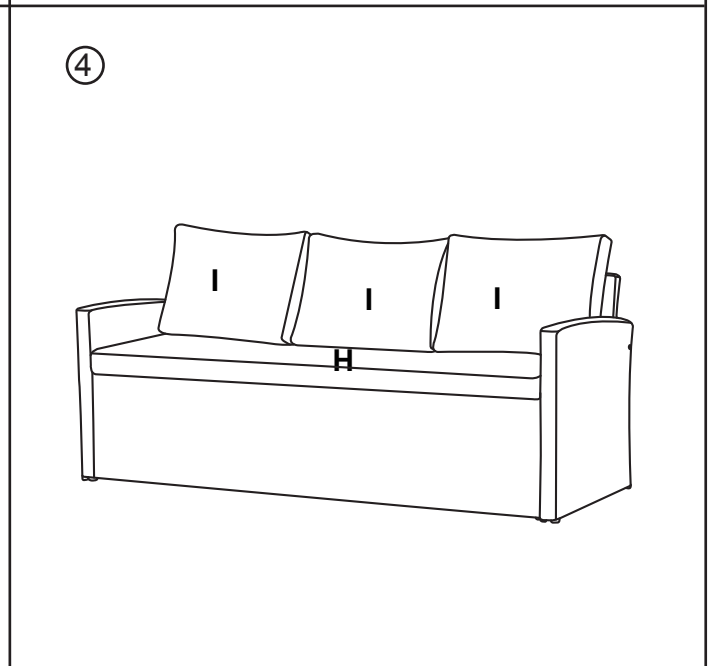
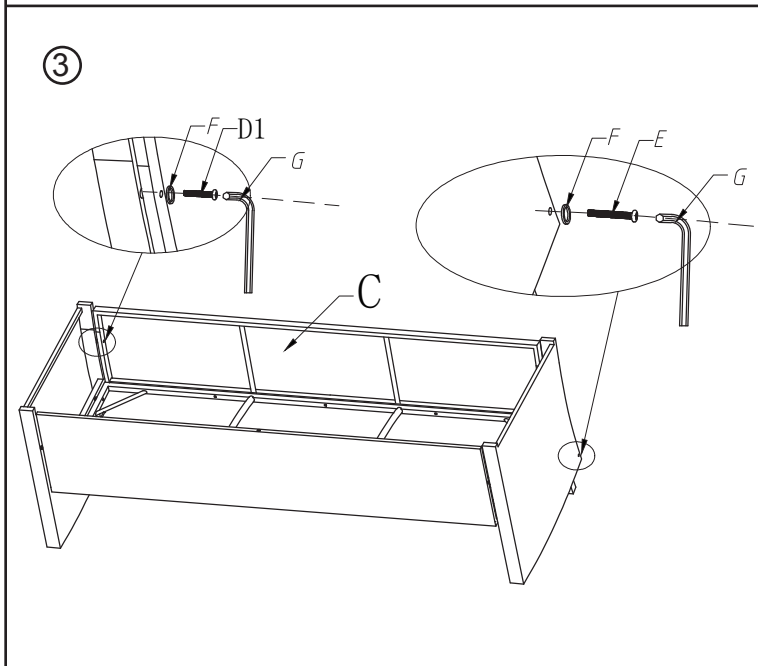
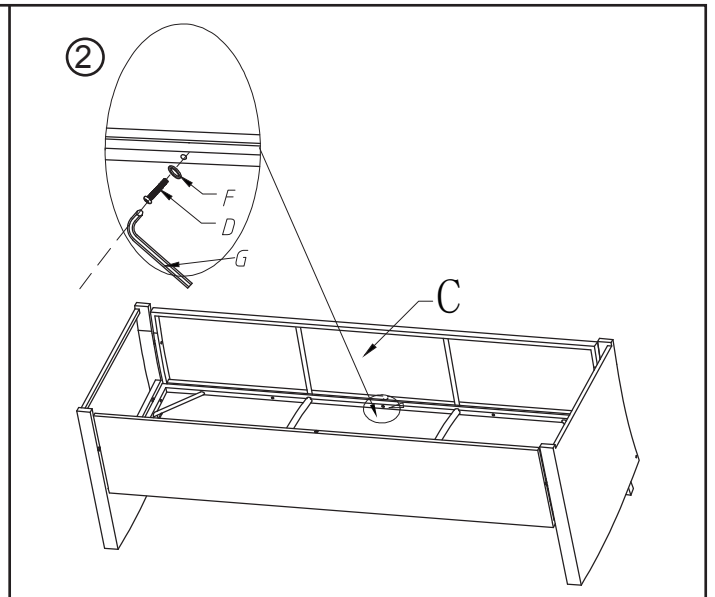
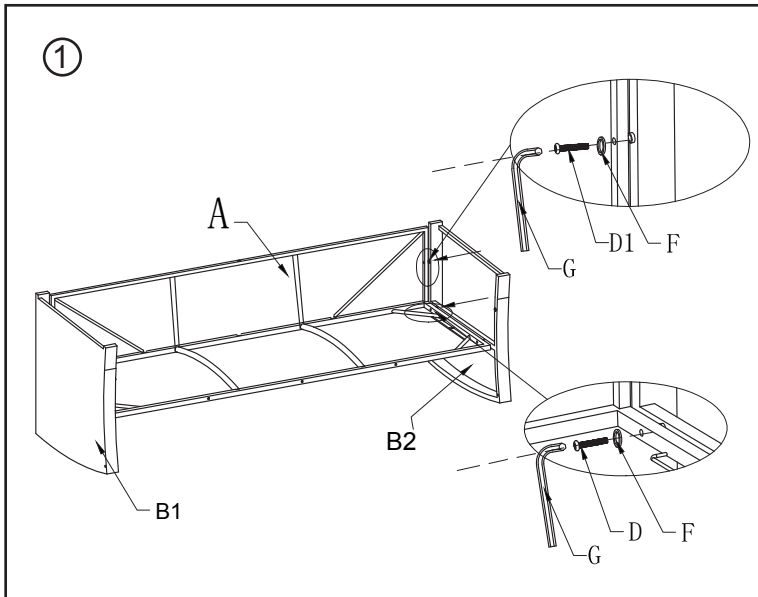
I	 back cushion	2
H	 armchair seat cushion	2
D	 screw M6X40	10
D1	 screw M6X35	8
E	 screw M6X70	4
F	 washer	22
G	 allen key	2



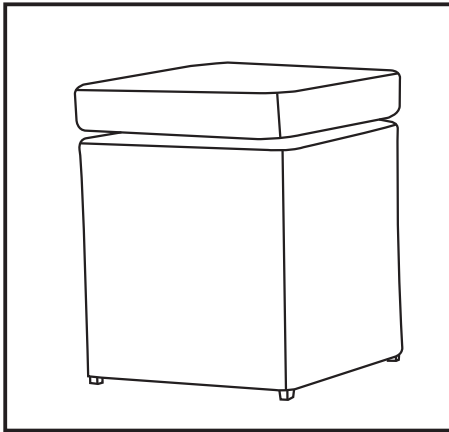


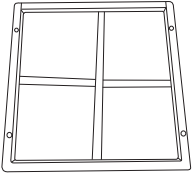

A		1
B1		1
B2		1
C		1





I		3
H		1
D		7
D1		4
E		2
F		13
G		1

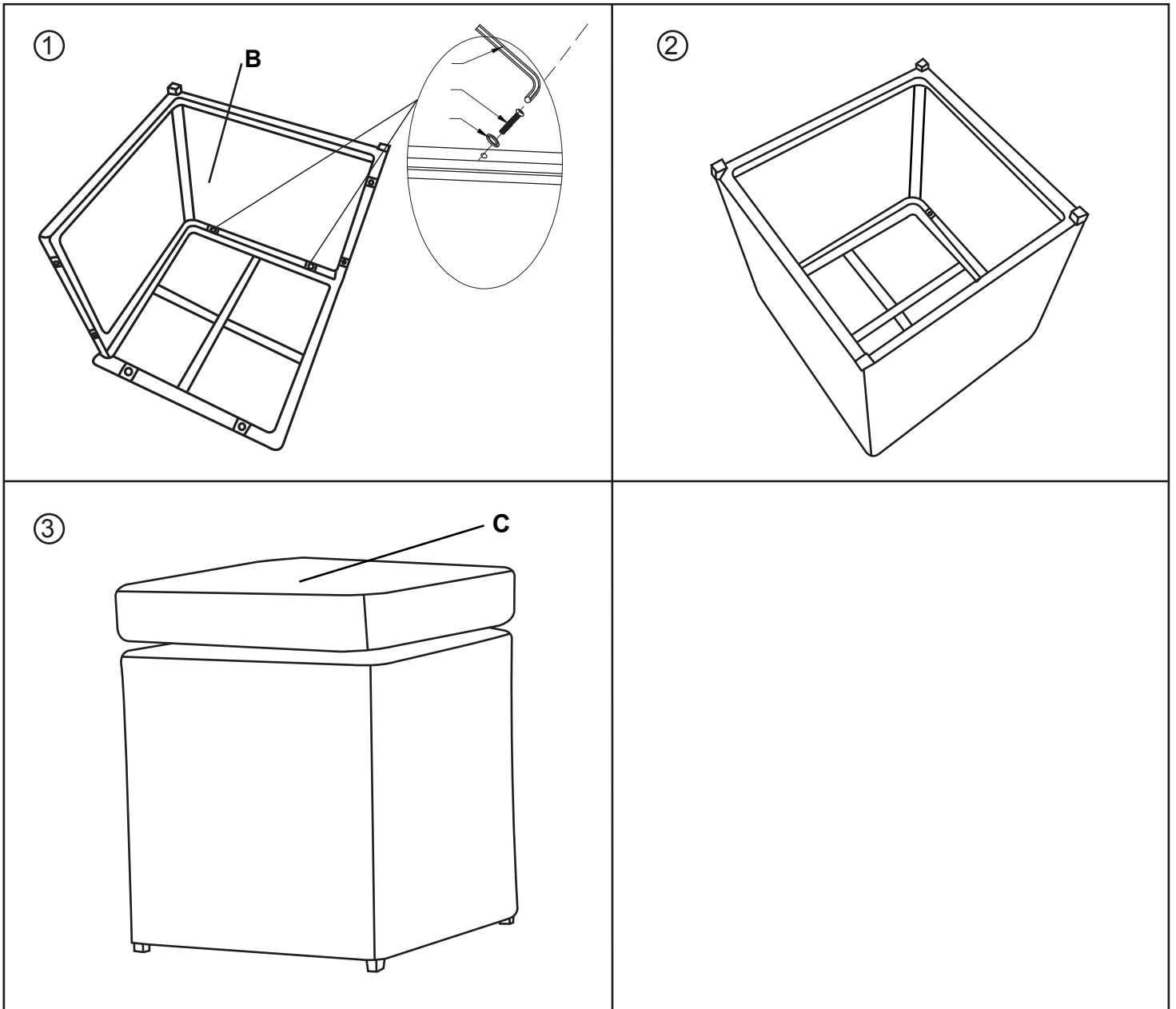


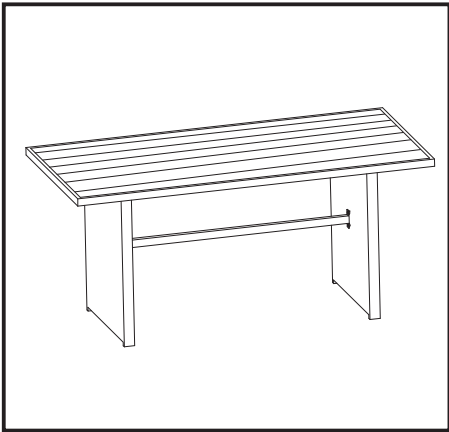
stoolx2


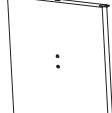






A	 stool top	2
B	 side panel	4

C	 stool cushion	2
D1	 screw M6X35	16
E	 washer M6	16
G	 allen key	2





A	 table top	1
B	 table leg	2

D	 linking tube	1
E	 screw M6X20	10
F	 washer	10
G	 allen key	1

