



ASSEMBLY GUIDE





Important - Please read these instructions fully before starting assembly



SAFETY AND CARE ADVICE



NO POWER TOOLS

SAFETY AND CARE ADVICE

- Check you have all the components and tools listed.
- Remove all fittings from the plastic bags and separate them into their groups.
- We do not recommend the use of power drills/drivers for inserting screws, as this could damage the unit. Only use hand screwdrivers and Allen keys.
- Keep children and animals away from the work area, small parts could cause choking if swallowed.
- Make sure you have enough space to layout the parts before starting.
- Assemble the item as close to its final position (in the same room) as possible.
- Do not overtighten the nuts to avoid causing damage to the threads.
- Only clean using a damp cloth and mild detergent, do not use bleach or abrasive cleaners.
- From time to time check that there are no loose screws on this unit
- This product should not be discarded with household waste. Take to your local authority waste disposal centre

IMPORTANT INFORMATION

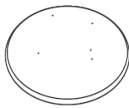
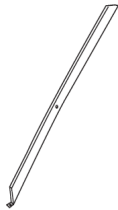









45 MINUTE
BUILD



MAXIMUM
CAPACITY 100Kg

PLEASE CHECK CAREFULLY AND MAKE SURE YOU HAVE ALL FITTINGS AND TOOLS LISTED BELOW BEFORE YOU START.

<p>①</p>  <p>x1</p>	<p>②</p>  <p>x4</p>	<p>③</p>  <p>For 100cm</p>  <p>For 120cm</p> <p>x1</p>	<p>A</p>  <p>X8 (For 100cm) X12 (For 120cm) 8X20</p>	<p>B</p>  <p>X8 (For 100cm) X12 (For 120cm) Ø 8</p>	<p>C</p>  <p>X4</p>	
			<p>D</p>  <p>X8 (For 100cm) X12 (For 120cm) Ø 8x16</p>	<p>E</p>  <p>M5 X1</p>		

NOTE: The quantities above are the correct amount to complete the assembly. In some cases more fittings may be supplied than are required.

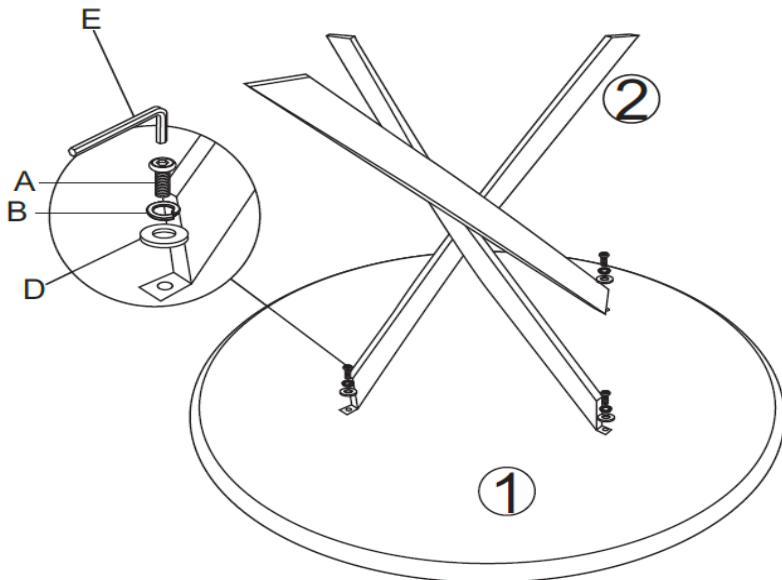


STEP 1

Assemble on a clean, flat soft surface to avoid any bumps or scratches.

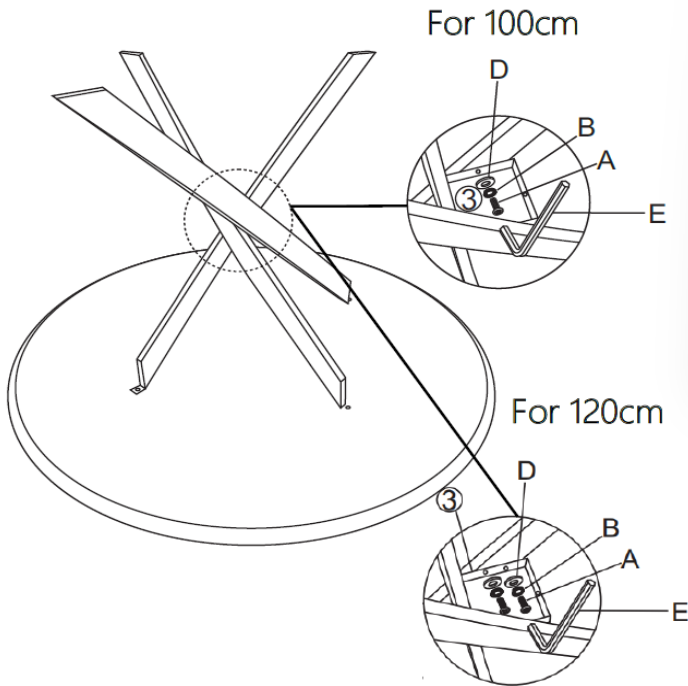
Place the table top [1] on the floor with underside facing up. Attach each leg by aligning the 'tab' at the top of the leg with the pre-drilled hole in the tabletop, and secure with 1 x washer [D] followed by 1 x spring washer [B] and 1 x bolt [A] per leg (4 in total). You need to use both the flat washer [D] and the spring washer [B] so make sure you don't miss any out.

Do not fully tighten these screws yet, as you will need some manoeuvrability in Step 2.



STEP 2

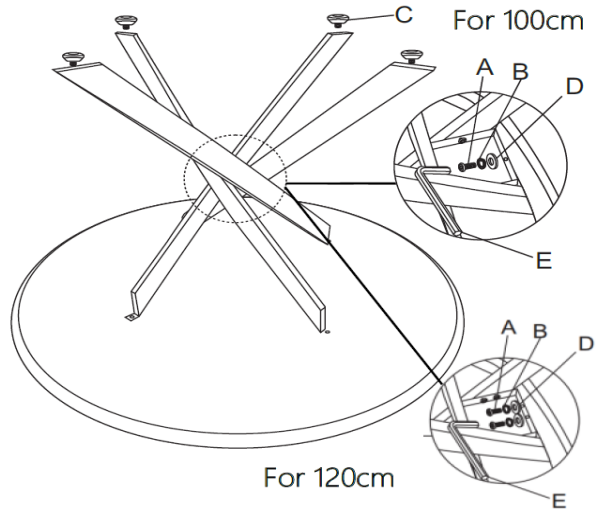
Connect all four legs together in the middle using the square connecting plate [3]. Secure using 1 x washer [D] followed by 1 x spring washer [B] and 1 x bolt [A] per hole - for 100cm table, there are 4 holes, for 120cm table, there are 8 holes in plate [3]. Again, make sure you use both the flat and spring washers at each hole. Once connecting plate [3] is secured, you can then tighten all the table legs to the table top with Allen key [E].





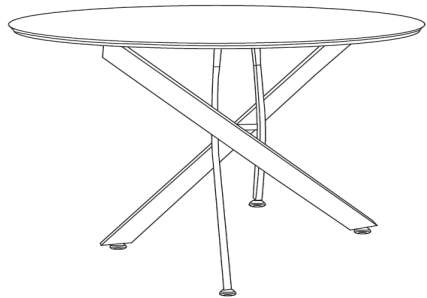
STEP 3

Add feet [C] to bottoms of table legs. These are adjustable so you can adjust for an imbalance / wobbly floors.



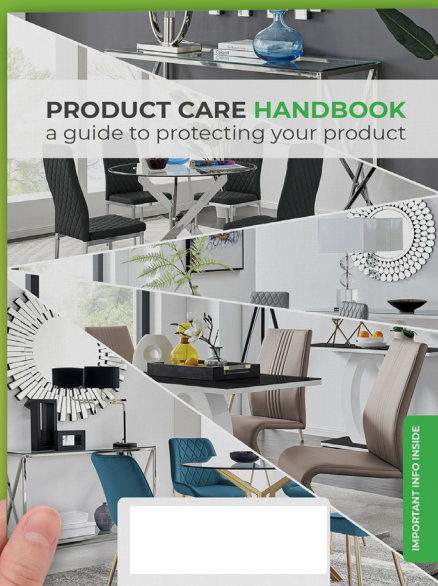
STEP 4

Carefully, and with help, turn your completed table over so it's now the correct way up. Check stability. Your new table is now ready to use.



LOOKING GOOD!


Now you've assembled your product find out how to care for your item and keep it looking brand new.



Look for your care guide in the box or visit:



OUR 2 YEAR* GUARANTEE

our products come with a 2 year guarantee to give you peace of mind shopping at 

*excludes some garden furniture items which have a 1 year guarantee



WHAT THE GUARANTEE COVERS



PRE-INSERTED FIXINGS

e.g. lose metal threads



FAULTY JOINTS

e.g. legs bending



EXTERNAL FIXING FAULTS

e.g. bonding/glue



STRUCTURAL INTEGRITY

e.g. the frame of the product