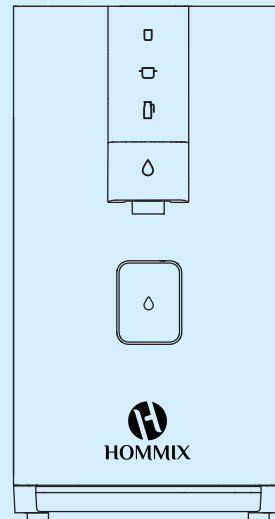




Hommix puRO

User's Manual

Advanced Technology Leads to Advanced Quality



GWP-43C7500M

- Please read this manual thoroughly before using the product.
- The rated voltage of this unit is 220-240 V~/50 Hz only.
- The appearance and specifications of the product may change without prior notice in order to improve the performance of the product.
- The design may differ from the cover model.

This unit is manufactured according to standard specification, and produced with a reliability test on all integrated components. The system is tested thoroughly on strict quality guidelines including temperature, moisture, shock, dust, vibration, drop, etc. We are sure that these various production processes will provide the utmost customer satisfaction in both quality and excellence. Before installing or using the unit, read this user's manual thoroughly and keep it for your future reference.

Table of Contents

01 Product Features	03
02 Safety Precautions	04 - 06
03 Part Names	07
04 Installation Precautions	08
05 Installation	09 - 12
06 How to use	13 - 14
07 How to clean	15 - 16
08 Sanitary Care	17
09 Filter Functions and Replacement Cycle	18
10 Filter Replacement	19
11 Product Specifications	20
12 Flow chart	21
13 Please check before requesting maintenance service	22
14 Memo	23

01 Product Features

1 Drink with confidence with the RO water purification system

The RO water purification system filters out harmful substances such as heavy metals and organic chemical with molecular weight of 200 or more through the ultra-precision semi-permeable membranes to provide safe drinking water. Filtered contaminants are discharged through separate drain pipes so that you can continue to drink clean water.

2 Fixed 1 ℓ (approx.) dispense function

The fixed 1 ℓ (a pprox.) dispense function allows you to conveniently dispense the right amount of water when a large amount is required. After setting the quantity with the Fixed Dispense selection button, press the Dispense button only once to conveniently dispense 1 ℓ (approx.) of water for cooking.

3 Compact tabletop water purifier

The compact-sized water purifier can be installed on the sink or dining table for efficient use of space. It is more convenient to take clean water directly from the top of the sink or on the table.

4 Fixed dispense

With fixed dispense settings of 150 ml (approx.), 500 ml (approx.), and 1 ℓ (approx.), it is possible to conveniently dispense the right amount of water according to the purpose.

5 Removable drip tray

The removable drip tray makes it easy to throw away water, and the product can be used without the drip tray as needed.

6 Improved filter replacement

Filter replacement has been made very easy, which can be done by simply opening the filter cover on the side and lightly lifting the filter lever.

7 Simple and stylish design

Based on the simple and stylish design features that blends well with the surrounding interior, the display and touch sensor areas have been accentuated to enhance visibility and usability.

8 Touch button sensor

We have further improved convenience by allowing users to operate with a light touch of their fingers.

Safety Precautions

- Please use the product safely and correctly to prevent accidents and dangers.
- Precautions are classified into two categories, "Warnings" and "Cautions" depending on the degree of risk and the amount of damages that may occur when the label is violated.



Warning

In case of violation of the label, serious injury or death may occur.



Caution

Violation of the label may result in personal injury or damage and deterioration of the product

Power



Warning

Use only the specified power source.

If the voltage of the power source is not the same, it may cause fire, electric shock, or malfunction.

Always unplug the power cord when not in use.

It can prevent safety accidents.

If the power cord is damaged, please request for maintenance service.

Do not use a damaged or loose power outlet. It may cause electric shock or fire.

Securely plug the power plug all the way into the power outlet.

Loose connection may cause fire.

Do not pull on the power cord. Make sure to pull on the power plug when unplugging.

Damaged power cords may cause electric shock or fire.

Do not use multiple electric appliances on one power outlet at the same time.

Abnormal heating of the power outlet may cause fire.

Do not touch the power plug with wet hands.

There is a risk of electric shock.

If dust or water gets on the pins or contacts of the power plug, clean them with a dry cloth.

Dust, water, etc. may cause electric shock or fire.

Do not bend the power cord excessively or place heavy objects on it.

It may cause electric shock or fire.

Be careful not to step on or trip over the power cord.

Make sure to unplug the power cord when cleaning the product's interior, and do not use water directly on the appliance.

It may cause electric shock or fire.

Installation



Caution

Do not install the product in a humid place, near flammable materials, or in places exposed to rain or snow.

Do not place candles, cigarettes, etc. on the appliance or place the appliance near heat sources.

There is a risk of fire.

Do not install on inclined or unstable places.

It may cause deteriorated performance or cause the appliance to fall over, causing injury or damage.

Do not install in places where room temperature may drop to below 0 °C.

Use



Warning

Do not lean on or hang from the product.

There is a danger of falling or injury from falling appliance.

Be careful not to let young children play with the device.

Parental care is required.

Be careful not to let people (including children) who cannot safely use the device without supervision or instruction such as people who lack physical, sensory, and mental abilities or people who lack experience or knowledge.

Do not place bowls of water, medicine, small metals, etc. on top of the product. There is a risk of electric shock or fire when they get into the appliance.

If the product is damaged or malfunctions, do not disassemble, repair, or modify the product at your own discretion.

Use



Caution

Do not operate the product when it is not leveled.

It may cause malfunction or damage.

If any abnormal sound, smell, or smoke comes from the product during use, immediately unplug the power plug, close the raw water adapter valve, and drain completely before requesting for maintenance service. Secure the hose so that the reject water does not splash around.

Never move the product while it is in operation.

It may cause damage.

Do not use chemicals (volatile materials, organic solvents, etc.) on the product and keep them away from the product.

Use



Caution

Since the storage tank may become contaminated with general external bacteria, drain the water completely at least once a month and clean the inside of the storage tank with a clean soft cloth to keep it clean.

If you regularly drain the water from the storage tank, you can prevent water scaling.

Close the lid properly after cleaning the storage tank.

If the lid is not closed properly on the top of the storage tank, insects such as ants may enter the storage tank.

If the product is not be used for a long time, shut off the raw water adapter valve and unplug the power plug. When using the product again, completely drain the water inside the water purifier and discard the newly purified water at least once.

The ratio of purified water to reject water is about 1:2 , and the reject water can be received in a bathtub or a separate container for use in housekeeping, bathroom cleaning, and laundry to save water.

However, do not use the water from the discharge hose as drinking water or for cooking.

When using a communication device that generates more than 1 W of radio waves and electric fields such as a walkie-talkie, use the device at least 1 m away from the product. If the product is used within 1 m distance or less of the device, the product may malfunction.

After replacing the filter, close the filter cover tightly.

When insects or foreign substances get inside, it may cause product malfunction.

Be sure to use designated filters ONLY.

Other filters may cause deteriorated water purification performance and product failure.

Replace the filter according to the replacement cycle.

The filter should be changed at the right time to get clean water.

Use the product as described in the user manual.

Failure to do so may cause personal injury.

When after-sale service or repair is required, please request for maintenance service.

03 Part Names

150 ml (approx.) Selection Button /LED

500 ml (approx.) Selection Button /LED

1 l (approx.) Selection Button /LED

Dispense Button

Power On/Off LED

Dispense Button

Drip Tray Cover

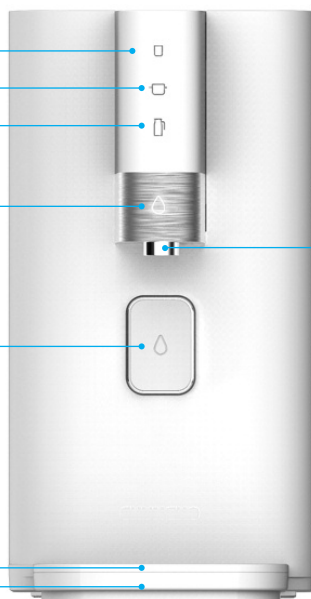
Drip Tray

Dispensing
Outlet

Raw Water/Reject Water

Power Cord

Drainage



04

Installation Precautions

1 Do not install the product in the following places.

- Near fires
- Near flammables
- In humid places
- In front of air conditioners/heaters
- Places exposed to snow or rain
- Outdoors or direct sunlight
- Near chemicals (volatile materials, organic solvents, etc.)
- Near bathrooms
- Places below 0 °C or a place above 40 °C

2 Please use along the following water quality range.

- Water Pressure : 1.7-7 kgf/cm² (166-686 kPa)
- Water Temperature : 4-38 °C
- pH : 5.8-8.5
- Turbidity : 0.5 NTU or less
- Hardness : 300 ppm or less
- Water Quality : Biologically safe water quality

※ Please consult us when using water qualities other than the above.

※ The failure to use water qualities within the above range without consulting us will result in exclusion from the warranty period.

3 Install the product on a flat surface. After installation, be sure to level the product using a level guage.

※ If the product tilts more than 3 degrees, water may spill over.

4 Do not connect hot water (above 38 °C) to the product.

※ It may cause deteriorated performance and product failure.

5 Do not bend the tubing hose or place heavy objects on it when connecting the tubing hose.

※ If the tubing hose is blocked, water will not flow smoothly, which may cause malfunction.

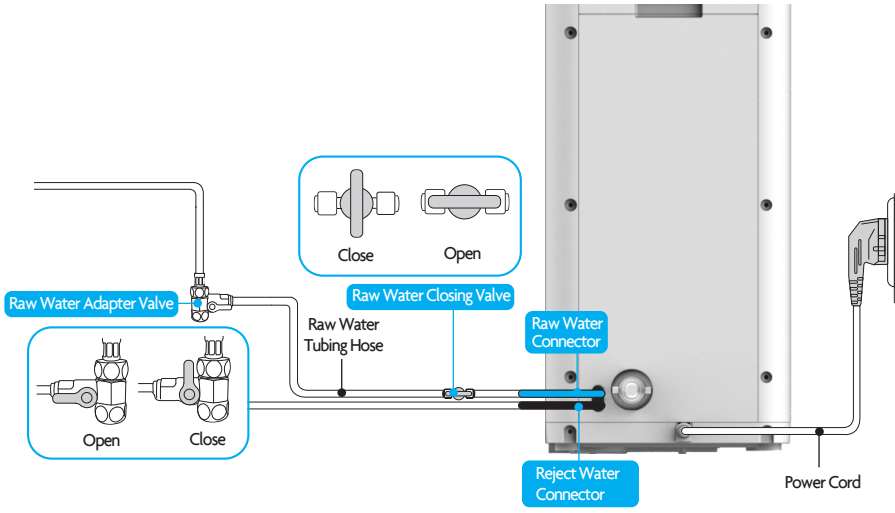
6 Secure the hose so that the reject water does not splash around.

※ The water from the reject water hose can be used for housekeeping, bathroom cleaning, laundry, etc. to save water. However, do not use as drinking water or for cooking.

7 When installing more than one product (water purifier, dishwasher, etc.) and this product in one place, be sure to install raw water and reject water hoses separately for each product.

05 Installation

- ※ Installation will be done by our technician. Make sure to check the product is being installed correctly.
- ※ The installation method may differ depending on the installation environment.
- ※ The company is not responsible for any damages caused by personal installation.



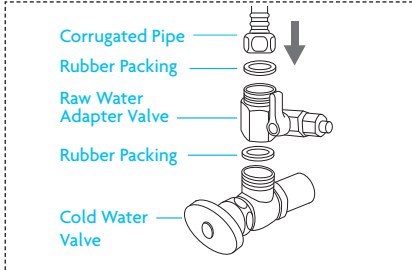
1-hole Faucet (when the faucet is attached to the sink)

- ※ The raw water adapter valve must be connected to the cold water line.
(Connecting to the hot water line may cause damage to the filter and product failure.)

	<p>1 Close the raw water adapter valve.</p>
	<p>2 Turn off the cold water supply by turning the cold water valve under the sink clockwise, and then separate the corrugated pipe connector.</p>

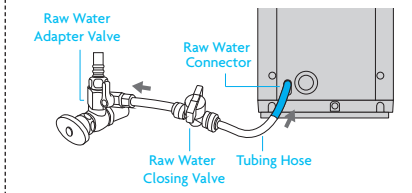
05

Installation



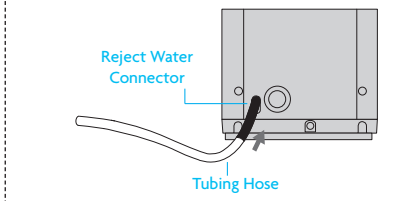
3 Connect the raw water adapter valve to the cold water valve, and then reconnect the corrugated pipe connector.

※ Check the rubber packing inside the raw water adapter valve. Without rubber packing, water leakage may occur.



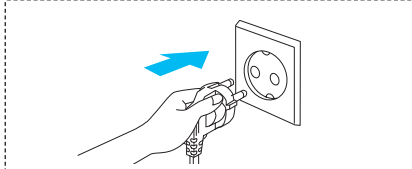
4 Insert and connect the tubing hose and the raw water closing valve to the raw water adapter valve and the raw water connector (blue) on the back of the product.

※ When connecting the tubing hose, push it in all the way until it feels tightly connected. Leakage may occur if it is not inserted all the way.

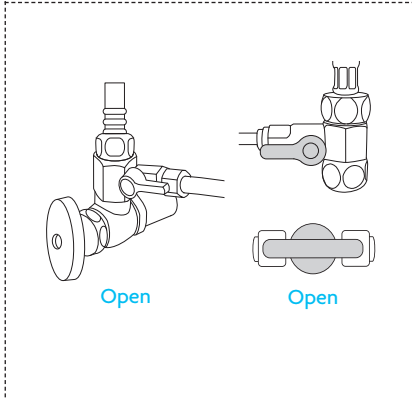


5 Plug the tubing hose into the reject water connector (black) and connect to the drain .

※ When connecting the tubing hose, push it in all the way until it feels tightly connected. Leakage may occur if it is not inserted all the way.



6 Plug the power plug into the power outlet.



7 Turn the cold water valve counterclockwise to open it, and then open the raw water adapter valve and the raw water closing valve to supply water to the product.

8 After completing the installation , check each connection for leaks.

9 After running the product for about 30 minutes, press the Dispense button to see if water comes out.

※ There may be some water used during inspection inside the product. Please use after draining completely.

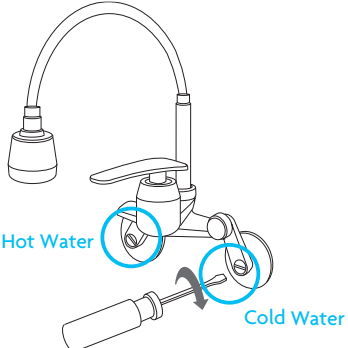
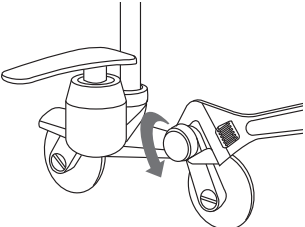
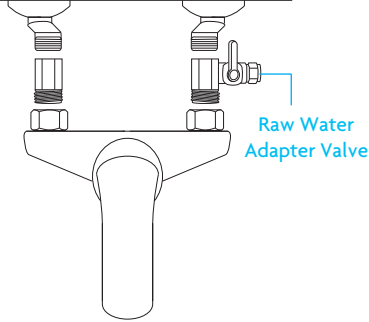
※ Do not reuse the existing adapter valve and tubing hose for installation.

05 Installation

- ※ Installation will be done by our technician. Make sure to check the product is being installed correctly.
- ※ The installation method may differ depending on the installation environment.
- ※ The company is not responsible for any damages caused by personal installation.

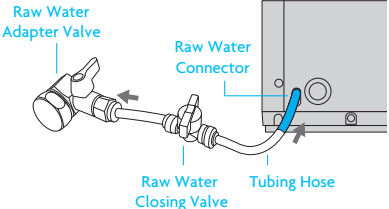
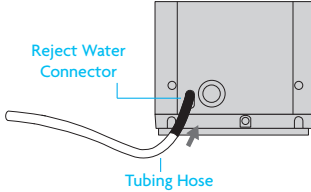
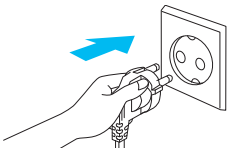
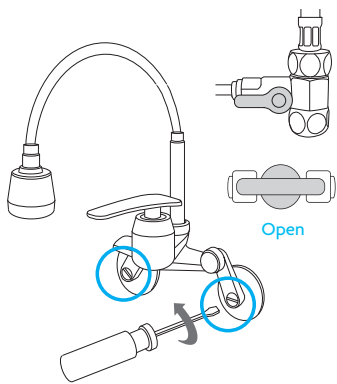
2-hole Faucet (when the faucet is attached to the wall) - medium adapter valve

- ※ The raw water adapter valve must be connected to the cold water line.
(Connecting to the hot water line may cause damage to the filter and product failure.)

 <p>Hot Water</p> <p>Cold Water</p>	<p>1 Use a flat-head screwdriver to turn the hot and cold water valves clockwise to shut off the raw water supply.</p>
	<p>2 Use a spanner to turn the nut connected to the faucet counterclockwise to disconnect the faucet.</p>
 <p>Raw Water Adapter Valve</p>	<p>3 When the faucet is disconnected, turn the adapter without valve in the hot water position (left) and the raw water adapter valve with the valve in the cold water position (right) clockwise to connect them.</p> <p>4 Use a spanner to turn the nut to reconnect the faucet.</p>

05

Installation

 <p>Raw Water Adapter Valve</p> <p>Raw Water Connector</p> <p>Raw Water Closing Valve</p> <p>Tubing Hose Closing Valve</p>	<p>5 Insert and connect the tubing hose and the raw water closing valve to the raw water adapter valve and the raw water connector (blue) on the back of the product.</p> <p>※ When connecting the tubing hose, push it in all the way until it feels tightly connected. Leakage may occur if it is not inserted all the way.</p>
 <p>Reject Water Connector</p> <p>Tubing Hose</p>	<p>6 Plug the tubing hose into the reject water connector (black) and connect to the drain.</p> <p>※ When connecting the tubing hose, push it in all the way until it feels tightly connected. Leakage may occur if it is not inserted all the way.</p>
	<p>7 Plug the power plug into the power outlet.</p>
 <p>Open</p>	<p>8 Use a flat-head screwdriver to open the raw water valve for both cold and hot water, and then open the raw water adapter valve and the raw water closing valve to supply raw water to the product.</p> <p>9 After completing the installation, check each connection for leaks.</p> <p>10 After turning on the appliance for about 30 minutes, press the Dispense button to see if water comes out.</p> <p>※ There may be some water used during inspection inside the product. Please use after draining completely.</p>

Drain Saddle Installation

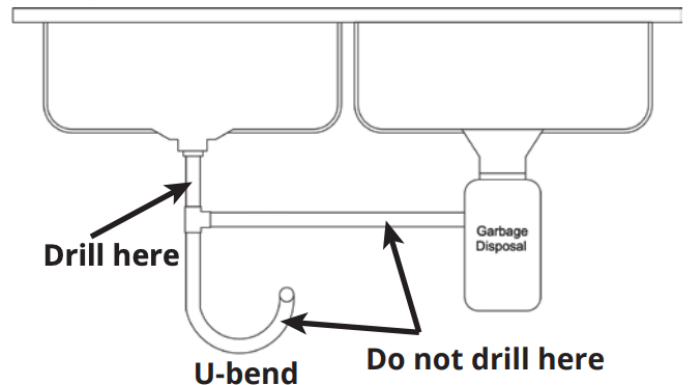
The purpose of the drain saddle is to prevent the tubing connected to drain from popping out of place and potentially leaking where the system is installed. Please see the figure below for instructions on how to make the drain saddle connection.

Equipment Required:

- Drill with 7mm (1/4") drill bit
- Phillips Screwdriver
- Adjustable Wrench

Step 1:

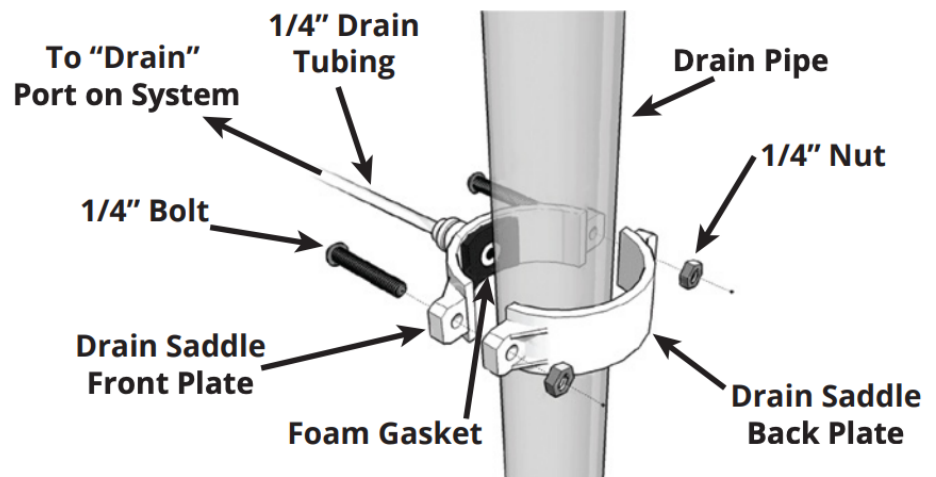
Select a location for the drain hole based on the design of the plumbing. The drain saddle should be installed above the u-bend if possible, on a vertical tail piece. Locate the drain saddle away from the garbage disposal to prevent potential contamination and system fouling. Please see figure below for a more detailed explanation. Use a 7 mm (1/4") drill bit to drill a small hole in the drain pipe for the drain to pass through. Clean the debris from the plumbing and hold before continuing.



Drain Saddle Installation Location

Step 2:

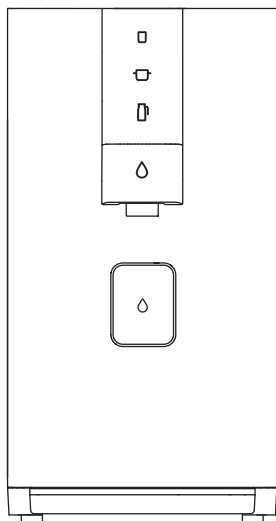
Remove the backing from the foam gasket and stick that half of the drain saddle on the drain pipe so that the holes line up (a small drill bit or other long narrow object can be used to help align correctly). Place the other half of the drain saddle on the opposite side of the drain pipe. Clamp and loosely tighten the drain saddle using the nuts and bolts included. Use a Phillips screwdriver to tighten the drain saddle. Connect the tubing from the drain saddle quick connection to the "Drain" connection on the system.








Drain Saddle Connection Diagram

06 How to use

Display and Control Panel



	150 ml (approx.) Selection Button	Touch the button to select 150 ml (approx.).
	150 ml (approx.) LED	Turns on when 150 ml (approx.) is selected.
	500 ml (approx.) Selection Button	Touch the button to select 500 ml (approx.).
	500 ml (approx.) LED	Turns on when 500 ml (approx.) is selected.
	1 l (approx.) Selection Button	Touch the button to select 1 l (approx.).
	1 l (approx.) LED	Turns on when 1 l (approx.) is selected.
	Dispense Button	Touch the button to dispense water.
	Power ON/OFF LED	Turns on when the power is connected.
	Dispense Button	Touch the button to dispense water.




Turning On/Off Settings

- ※ Plug the power plug into the power outlet before operating the product.
- ※ Lightly touch the “icon” from the control panel.


Fixed Dispense



Setting

- ① Touch the  button.
- ② 150 ml (approx.) dispense is set with sound effect. ( LED turns on)
- ③ Press the Dispense button to dispense 150 ml (approx.) ( LED blinks)

Cancelling

- ① If you do not select the Dispense button for 10 seconds, the setting is canceled. ( LED turns on)
- ② If you press another button within 10 seconds, the fixed dispense setting is canceled.




06

How to use


500 mL (approx.)



Setting

- ① Touch the  button.
- ② 500 mL (approx.) dispense is set with sound effect. ( LED turns on)
- ③ Press the Dispense button to dispense 500 mL (approx.) ( LED blinks)




Cancelling

- ① If you do not select the Dispense button for 10 seconds, the setting is canceled. ( LED turns off)
- ② If you press an other button within 10 seconds, the fixed dispense setting is canceled.


1 L (approx.)



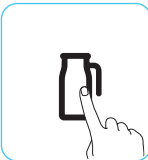
Setting

- ① Touch the  button.
- ② 1 L (approx.) dispense is set with sound effect. ( LED turns on)
- ③ Press the Dispense button to dispense 1 L (approx.) ( LED blinks)

Cancelling








- ① If you do not select the Dispense button for 10 seconds, the setting is canceled. ( LED turns off)
- ② If you press an other button within 10 seconds, the fixed dispense setting is canceled.

Continuous Dispense






3 seconds
or more

Setting

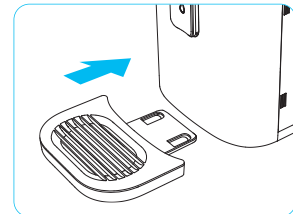
- ① Touch the  selection button for 3 seconds.
- ② 1 L (approx.) dispense is set with sound effect. (, ,  LED turns on)
- ③ Press the Dispense button to dispense 1 L (approx.). (, ,  LED turns on)

Cancelling

- ① If you do not select the Dispense button for 10 seconds, the setting is canceled. (, ,  LED turns off)
- ② If you press an other button within 10 seconds, the continuous dispense setting is canceled.

Attaching Drip Tray

Push the drip tray into the appliance until it clicks.

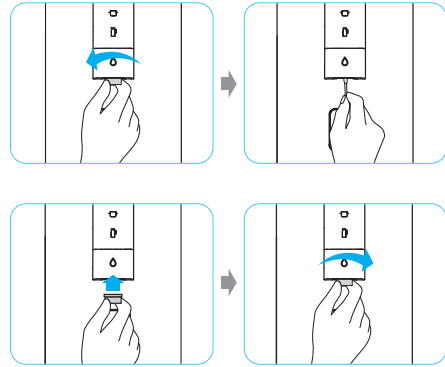


07

How to clean

Attaching Drip Tray

- ① Remove the dispensing outlet by turning it to the left.
- ② Wipe the inside of the dispensing outlet with a cotton swab.
※ Do not use detergent, thinner, benzene, or wax for cleaning. This may cause product damage such as discoloration or peeling of the product, and may cause health problems.
- ③ After washing, insert it again and turn it to the right.

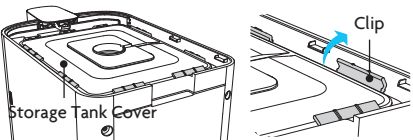
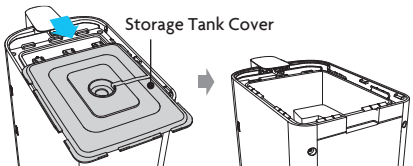
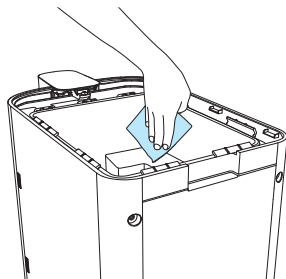
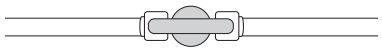
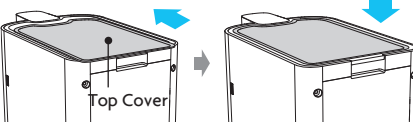
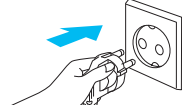
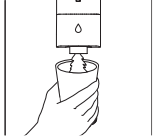


Cleaning Storage Tank

	1 Unplug the power plug from the outlet.
	2 Close the raw water closing valve.
	3 Plug the drain hose into the drain valve to drain the purified water.
	4 Put your hand on the back of the top cover, lift it up, and push it back to remove it.

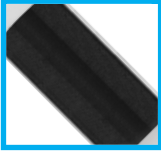
07

How to clean

	<p>5 Open the 6 clips holding the storage tank and the lid of the storage tank by pushing them outward.</p>
	<p>6 Slide the storage tank cover to the rear to open it.</p>
	<p>7 Clean the storage tank and the tank cover with a soft cloth or dry cleaner, and then assemble the covers in the reverse order of the removal.</p> <ul style="list-style-type: none"> ※ Be careful not to hurt your hand on the water level sensor pin located inside the storage tank when cleaning. ※ When cleaning the storage tank, wear sanitary gloves after washing your hands or clean it with a cloth or dry cleaner. ※ Do not use cleaning chemicals or detergents when cleaning the storage tank. ※ After checking the storage tank, check if all the service kit (dry cleaner, cotton swab, and sanitary gloves) has been removed and dispose them. ※ Firmly close the storage tank cover to prevent foreign substances and insects from entering after cleaning. ※ Clean at least once a month.
	<p>8 Open the raw water closing valve.</p>
	<p>9 Insert the top cover by pushing it from the back, and then press down to close it.</p>
	<p>10 Plug the power plug into the outlet.</p>
	<p>11 After 30 minutes, check if water comes out from the dispensing outlet. (Based on 25 °C water temperature and 2.8 kgf/cm² water pressure or more)</p> <p>12 Use after draining 1-2 cups of freshly purified water.</p>

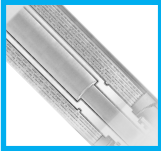
Category		Description
Installation	Installation Area	- The product can be installed within our recommended water quality range. (1.7-7 kgf/cm ²)
	Installation Environment	<ul style="list-style-type: none"> ◀Restricted Installation Areas▶ - Outdoors or in direct sunlight - Near bathrooms - In front of air conditioners/heaters
Use	Dispensing Outlet (faucet)	<ul style="list-style-type: none"> - Take care not to splash coffee, tea, drinks, or food on the dispensing outlet, and when it does occur, wipe off immediately. Regularly clean the outlet with a non-woven cloth or cotton swab once a week.) - Do not put your hand or mouth on the outlet and make sure the cup you are using does not touch the outlet.
	Drip Tray	<ul style="list-style-type: none"> - Do not dispose drinks (coffee, tea) or food other than water. - If there is water, discard it immediately and wash it once a week.
Check	Periodic Check	<ul style="list-style-type: none"> - Receive regular inspections. Inspections are made when filters are replaced. - Be careful not to let foreign substances (insects, service kits, etc.) enter during the regular inspection of the storage tank, and thoroughly complete the finishing work (assembly of the storage tank cover) after the inspection.
	Self-management	- Contaminated dispensing outlet (faucet) or drip tray requires self-management by the user.
Management	Filter Replacement	- Flush for 1 minute and 30 seconds when replacing filters. If not flushed, fine charcoal may be found in the storage tank.
		- Be careful not to apply external shock to filters after installing them.
Prevention of Water Scaling	Product without Smart Cleaning Feature	<ul style="list-style-type: none"> - If you do not use the water purifier for more than 4 days, drain the stored water completely. Drain the newly purified water once before reusing. - Drain the water in the storage tank completely at least once a month and clean the inside with a clean soft cloth to keep it clean. - If you regularly drain the water from the storage tank, you can prevent water scaling.

Filter Functions



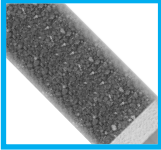
Stage 1 /2 : Pre-carbon Filter

It is a carbon block filter extruded at high temperature that removes suspended solids, rust, and particulate contaminants, etc. in raw water, as well as absorbing and removing chlorine, trihalomethane (THMs), and organic chemicals dissolved in raw water. It protects the membrane and allows it to function normally.



Stage 3 : Membrane Filter

Soluble foreign substances, such as heavy metals and organic chemicals, having molecular weights of 200 or more are treated by separation through ultra-precision semi-permeable membranes to achieve water purification effects.



Stage 4: Post-carbon Filter

It is a high quality carbon filter that removes gas and odors dissolved in purified water to restore fresh water taste.

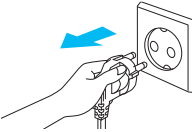
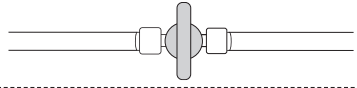
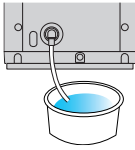
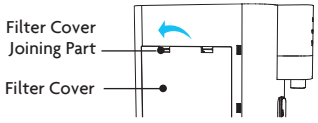
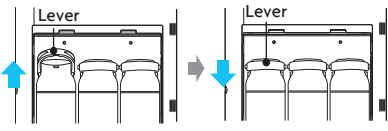
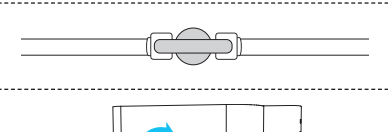
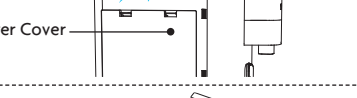
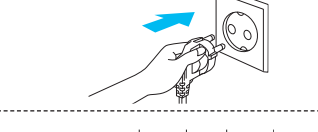
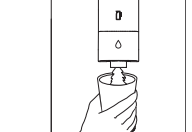
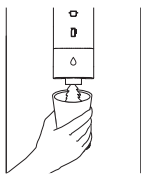
Filter Replacement Cycle

Type of Filter	Replacement Cycle
Pre-carbon Filter	6 months
Membrane Filter	24 months
Post-carbon Filter	18 months

※ The replacement cycle of the specified consumable filter is an estimated time, and the expected replacement cycle may vary depending on the place of use, water quality, raw water temperature, usage, and season (summer and winter).

※ Filters should be changed at the right time to get clean water.

10 Filter Replacement

	1 Unplug the power plug from the outlet.
	2 Close the raw water closing valve.
	3 Plug the drain hose into the drain valve to drain the purified water.
 <p>Filter Cover Joining Part Filter Cover</p>	4 Open the filter cover toward the front by pressing down on the left joining part.
	5 Lift the lever of the filter to be replaced, and then pull out the filter .
	6 After attaching the new filter, secure it by pulling down the lever.
	7 Open the raw water closing valve.
 <p>Filter Cover</p>	8 Assemble the filter cover.
	9 Plug the power plug into the outlet.
	11 After 30 minutes, check if water comes out from the dispensing outlet. (Based on 25 °C water temperature and 2.8 kgf/cm ² water pressure or more) ※ Check if water leaks after supplying raw water. If a leak occurs, immediately unplug the power cord, close the raw water adapter valve, and request for maintenance service.

11

Product Specification

Product Name	TIDY (puRO)
Model Name	GWP-43C7500M
Product Weight	8.3 kg
Power Consumption	35 W
Storage Tank	5.5 ℓ
Rated Voltage	220-240 V-/50 Hz
Dimensions	220 W X 425 D X 420 H (mm)
Safety Feature	Water level detector, Leakage valve, fuse
Power Cord	1.5 m
IP Rating	IPX1

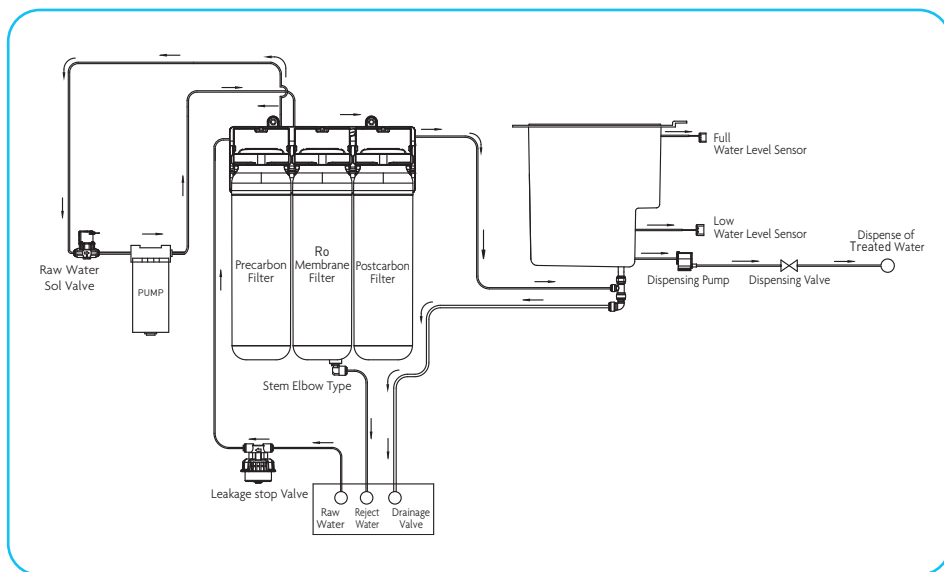
※ The IP Rating is the waterproof protection rating of the product.

※ The storage tank capacity is based on the storage tank size, so it may be different from the indicated dispensing capacity.

※ Power consumption may vary depending on the using environment.

※ The booster pump is removed for this specification. If the raw water pressure is 1.7 kgf/cm² or less, an external pump installation is required. (Sold separately)

12 Flow chart



13

Please check before requesting maintenance service

※ It takes 60 minutes for the storage tank to become full. (Based on water temperature 25 °C, water pressure 2.8 kgf/cm² or more)

Symptom	Check	No	Yes
If the control panel and display do not operate along with the purifier	Is the power plug of the product plugged in correctly?	Plug the power plug into the 220-240- /50 Hz power outlet.	If the problem continues after rechecking whether the power plug is inserted correctly, request for maintenance service.
If water is not dispensing	Is tap water being supplied?	Unplug the power plug and wait until water is restored from water outage.	If water does not dispense even after the period that takes to fill the tank, request for maintenance service.
	Is the raw water adapter valve in the open position?	Set the raw water adapter valve in the open position.	Request for maintenance service.
	Is it time to change filters?	Request for maintenance service.	Request filter replacement.
	Is there water around the product?	Request for maintenance service.	Close the raw water adapter valve, unplug the power plug, and request for maintenance service.
If the water tastes strange	Have you used the water purifier for too long?	Request for maintenance service.	Press the Dispense button and let the water run for about 5 minutes before use.
	Is it time to change filters?	Request for maintenance service.	Request filter replacement.
If water is leaking	Is the water leaking from the inside of the water purifier?	Request for maintenance service.	Close the raw water adapter valve, unplug the power plug, and request for maintenance service.
How do I care for the water purifier's silicone tube?	Request for maintenance service for contaminated silicone tubing after long term use.		

※ If the problem is not solved after checking the above list, please request for maintenance service.

14

Memo



Website: www.hommix.co.uk, Phone number: +44 (0) 330 113 9292, E-mail: info@hommix.co.uk