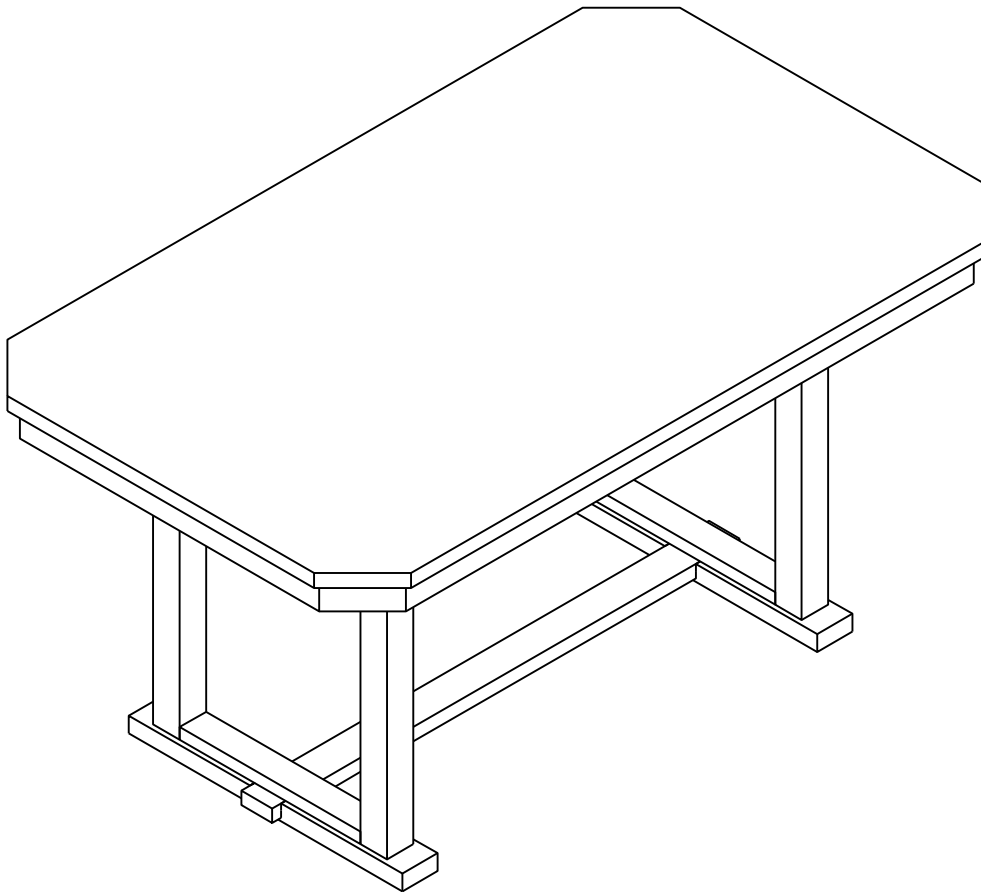


# **ASSEMBLY INSTRUCTION**

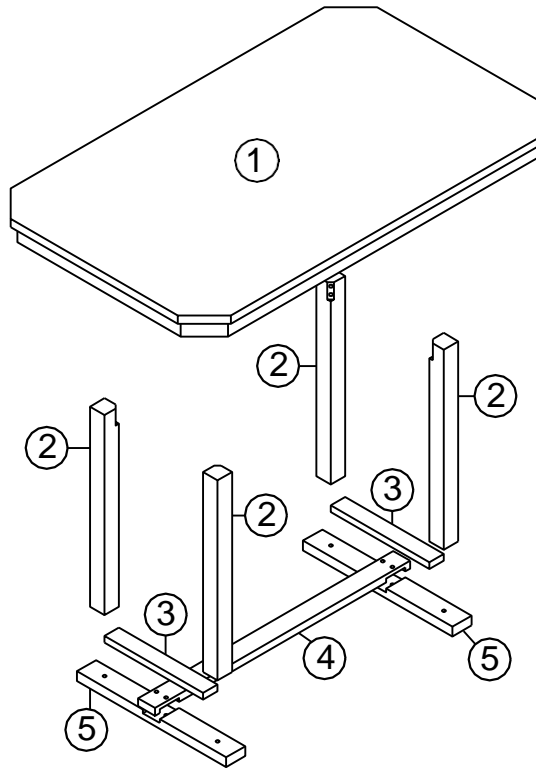
## **DINING TABLE**



### **IMPORTANT NOTE:**

- 1: PLACE ALL PARTS ON A CLEAN AND SMOOTH SURFACE SUCH AS A OR CARPET TO AVOID THE PARTS FROM BEING SCRATCHED.**
- 2: BEFORE YOU BEGIN, KINDLY FOLLOW THE ASSEMBLY INSTRUCTIONS STEP BY STEP.**
- 3: DO NOT TIGHTEN ALL SCREWS AND BOLTS UNTIL THE TABLE IS FULLY SET - UP.**

# Detail View



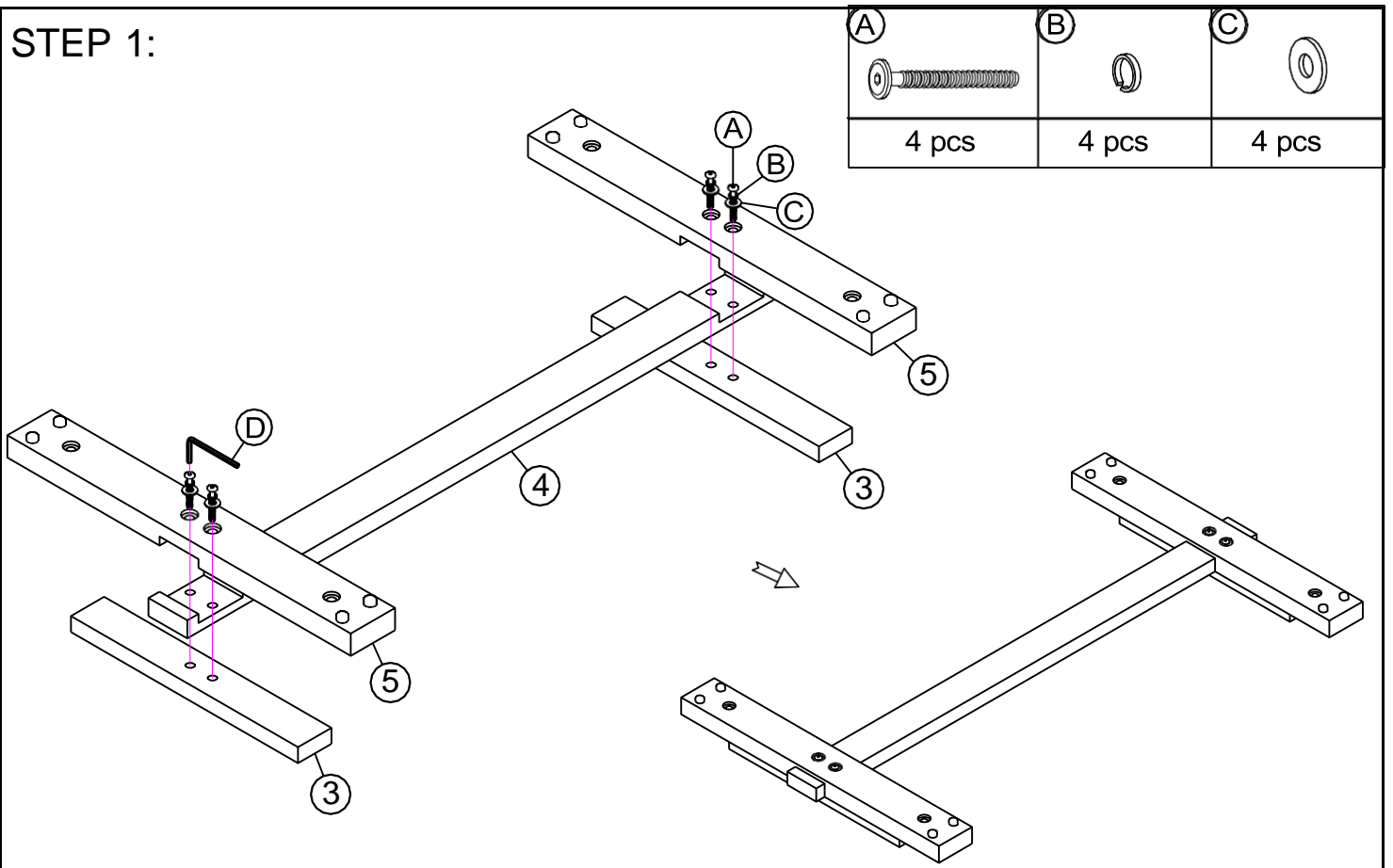
## Part List In Box

<p>TOP TABLE (1 pc)</p>	<p>LEGS TABLE (4 pcs)</p>	<p>SUPPORT BAR (2 pcs)</p>
<p>SUPPORT BAR (1 pc)</p>	<p>FOOT BASE (2 pcs)</p>	

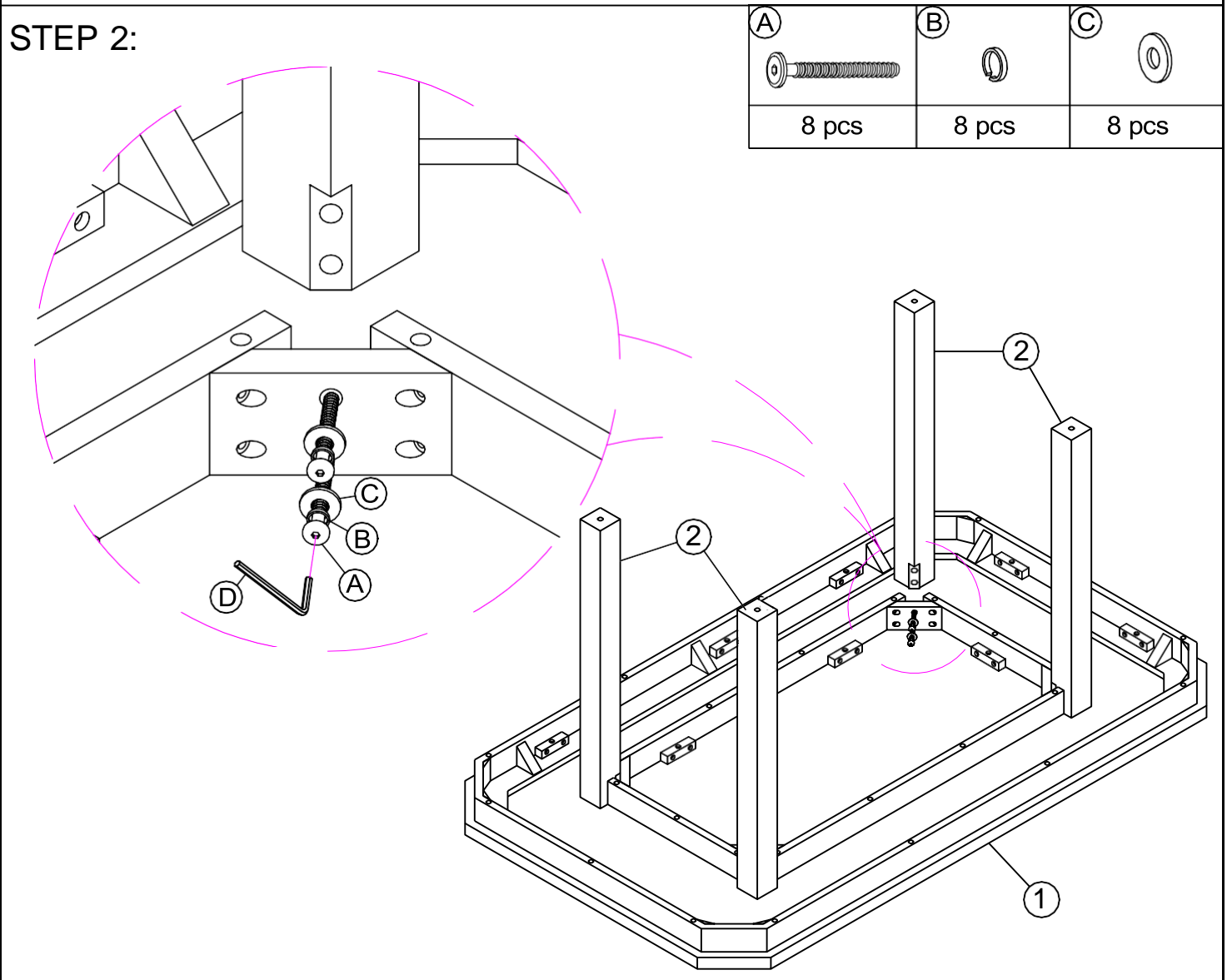
## Hardware List

<p>5/16"x50 mm BOLT (16 pcs)</p>	<p>5/16"x11 mm FLAT WASHER (16 pcs)</p>	<p>5/16"x19 mm FLAT WASHER (16 pcs)</p>
<p>4x58mm ALLEN KEY (1 pc)</p>		

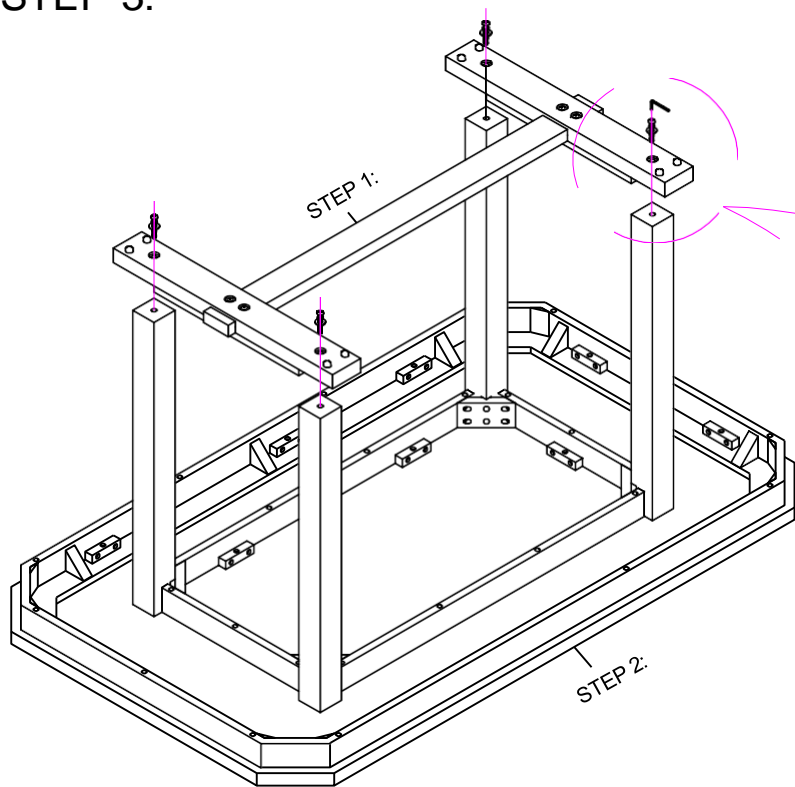
STEP 1:






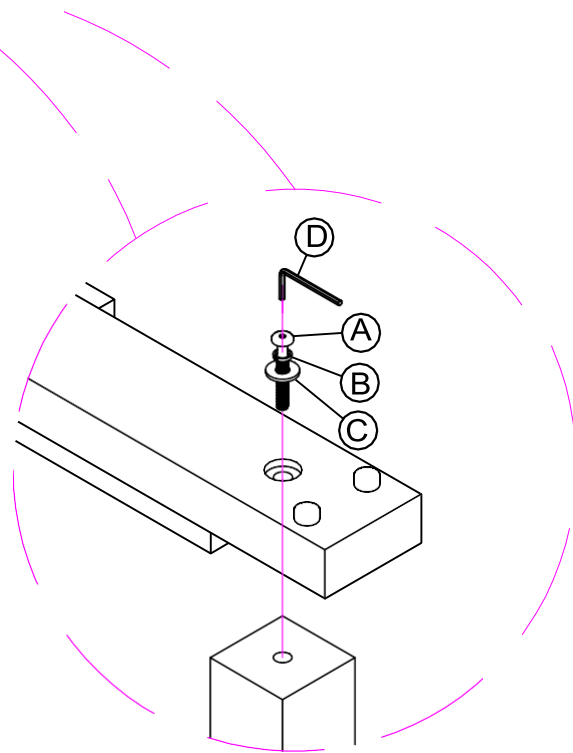
STEP 2:



# STEP 3:



<b>(A)</b> 	<b>(B)</b> 	<b>(C)</b> 
4pcs	4pcs	4pcs



# FULLY

