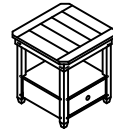


ASSEMBLY INSTRUCTIONS



988-915

TOOLS REQUIRED:

Allen Wrench (supplied, Part # D)

BEFORE YOU START:

1. Check the hardware against the hardware list to make sure all items are present.
2. Assemble your furniture on a soft, flat surface to avoid scratching the finish.
3. **CAUTION:** Do not over tighten screws, nuts or bolts during assembly.
4. Your furniture may require occasional tightening.

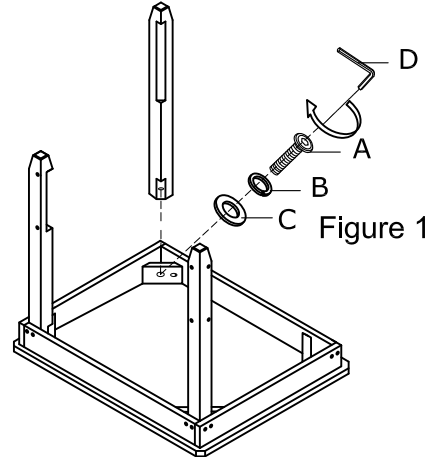


Figure 1

INSTRUCTIONS:

1. Turn the top upside down on a clean soft surface and attach the three legs to the table top using Flat Washer (C), Lock Washer (B) and Bolt (A), tighten with the Allen Wrench (D). As Shown in Figure 1. (Do not over tighten bolts during assembly.)

2. Put the shelf to the three legs. As Shown in Figure 2.

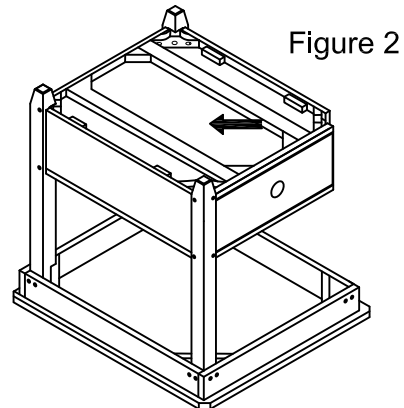


Figure 2

3. Attach the other leg to the shelf and the table top using Flat Washer (C), Lock Washer (B) and Bolt (A), tighten with the Allen Wrench (D). As Shown in Figure 3. (Do not over tighten bolts during assembly)

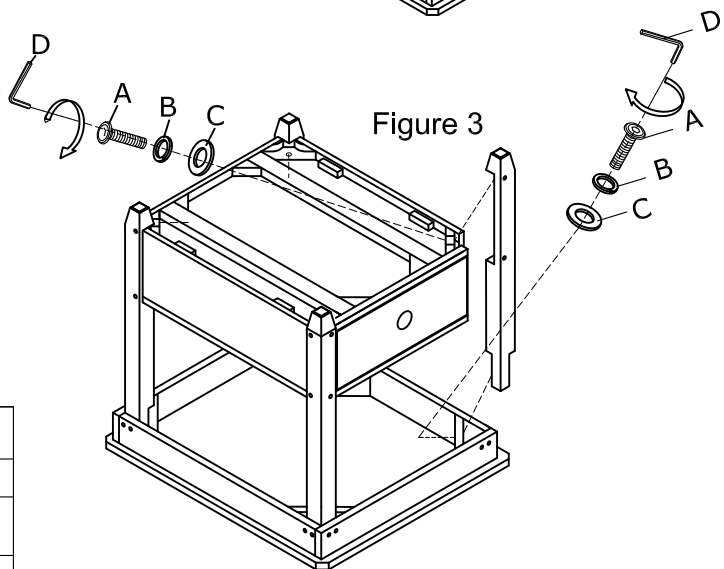


Figure 3

4. Tighten all bolts before setting table back upright.

HARDWARE LIST

NO.	Drawing	Description	Q'TY
A		Allen Bolt (Ø5/16 "x2")	8pcs
B		Lock Washer (Ø5/16 "x13mm)	8pcs
C		Flat Washer (Ø5/16 "x19x2mm)	8pcs
D		4mm Allen Wrench	1pc