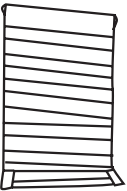



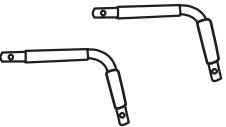

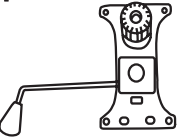
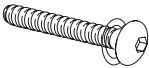



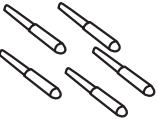
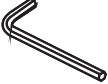
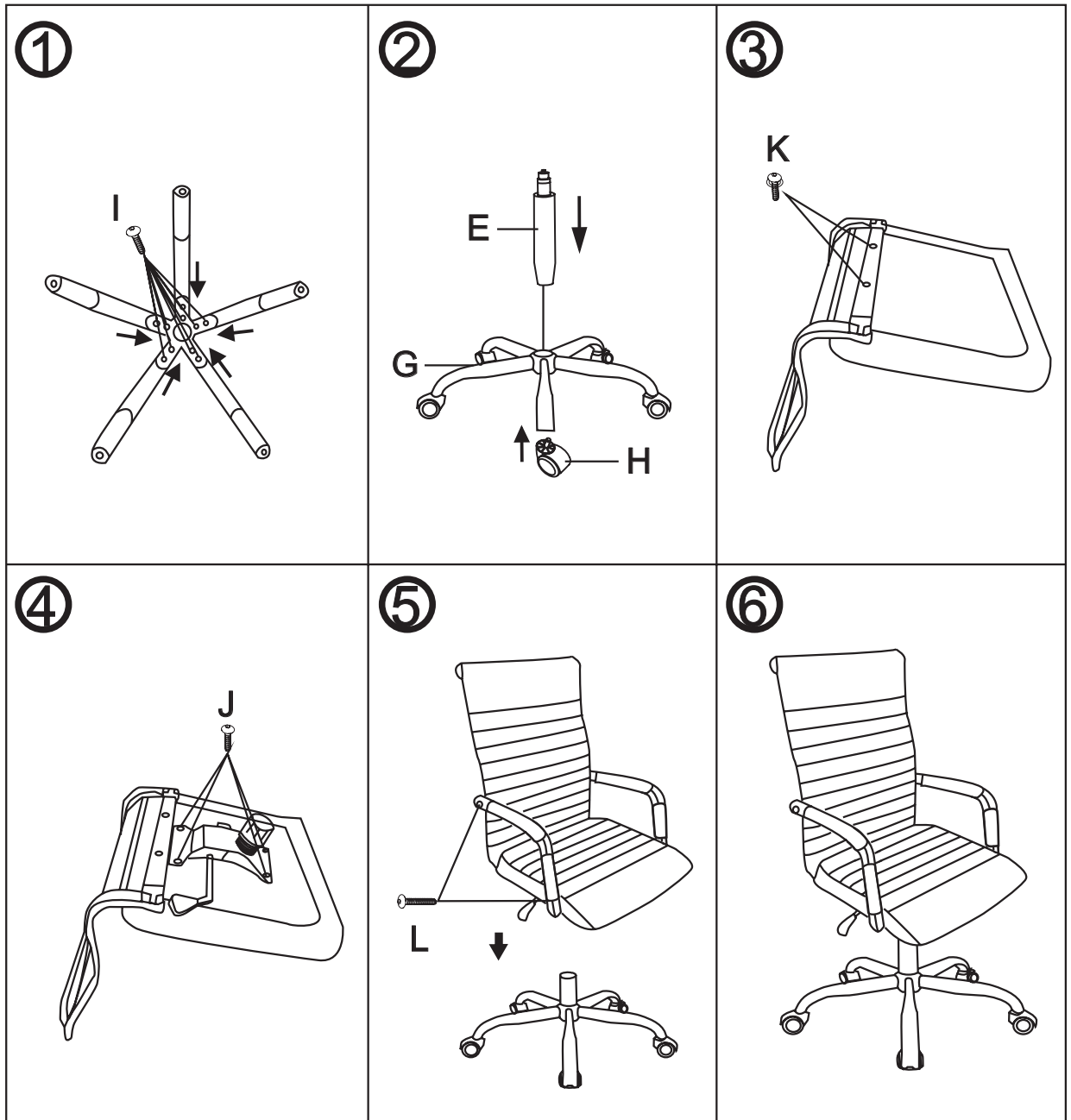


ASSEMBLY INSTRUVTION

PARTS*QTY

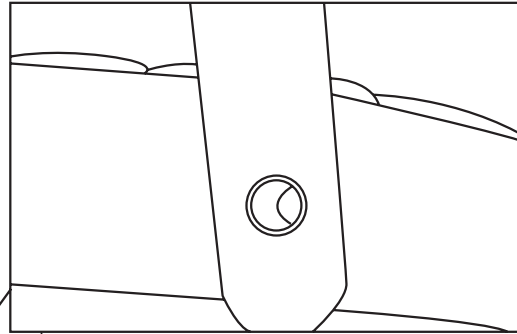
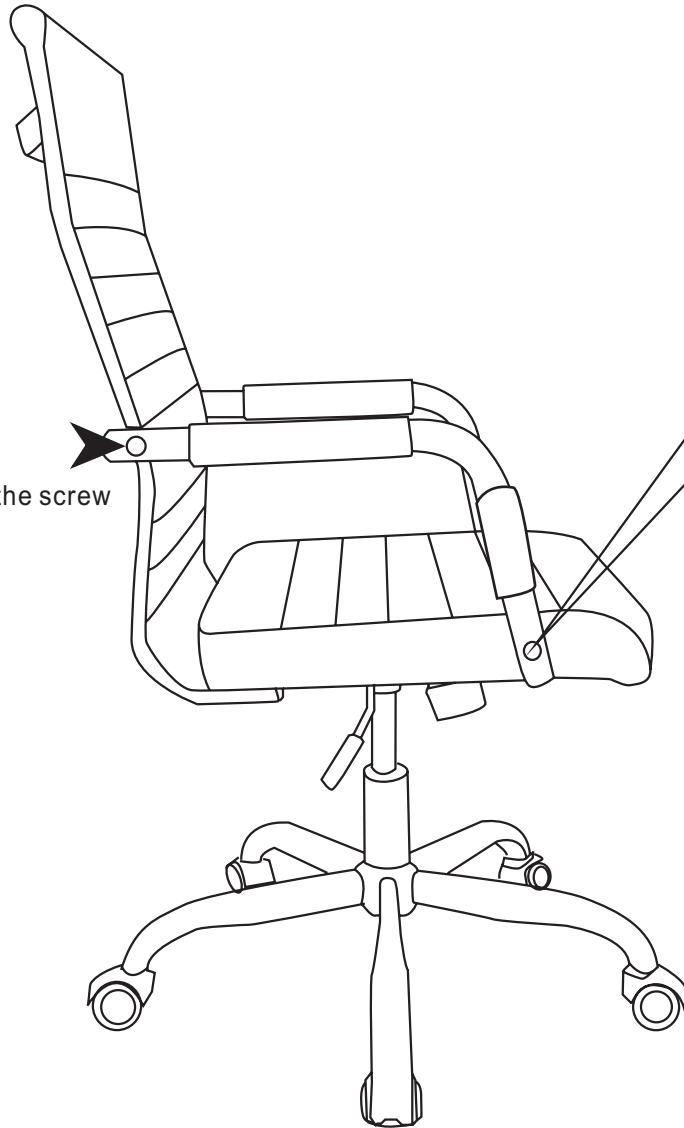
<p>Ax1</p> 	<p>Hx5</p> 
<p>Bx1</p> 	<p>Ix10</p>  <p>M6x10mm</p>
<p>Cx2</p> 	<p>Jx4</p>  <p>M6x20mm</p>
<p>Dx1</p> 	<p>Kx2</p>  <p>M6x35mm</p>
<p>Ex1</p> 	<p>Lx4</p>  <p>M8x35mm</p>
<p>Gx1</p>  	<p>Mx1</p> 



Armrest installation step

Step 1

Please screw in the screw on the backrest



Step 2

Please pull the backrest with one hand and make the hole aligned if the hole on the armrest is not align with the seat. Then screw in.

