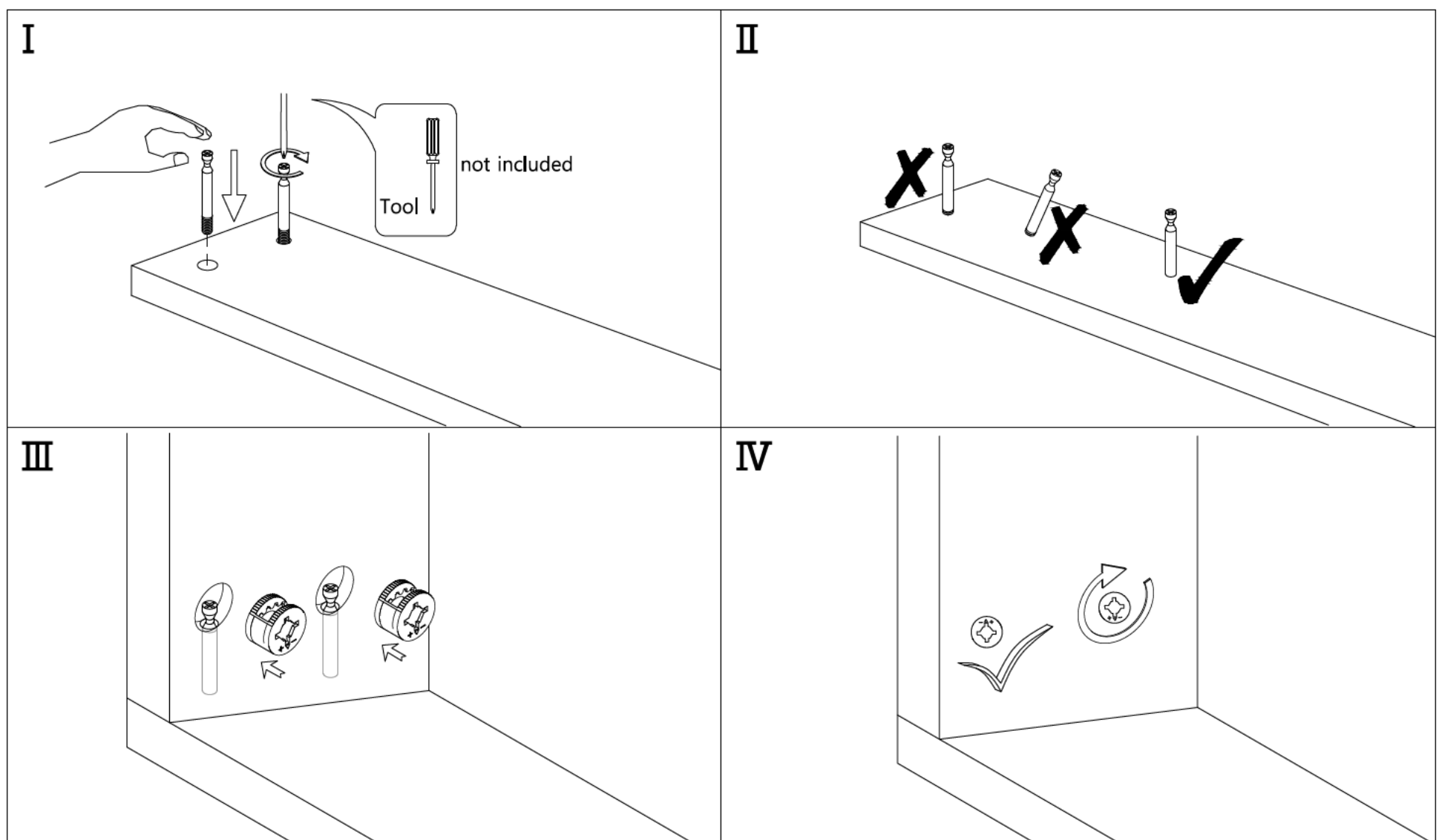


INSTRUCTION MANUAL

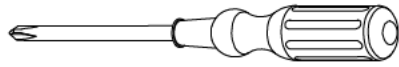
ASSEMBLY INSTRUCTIONS

1. Carefully unpack all the components and verify that all the necessary parts are included, as listed in the packaging.
2. Identify each component and refer to the provided assembly diagram or follow the step-by-step instructions.
3. Assemble the furniture in the specified order to ensure proper alignment and fit.
4. Use the provided tools or recommended tools for assembly. Avoid using excessive force when tightening screws or bolts.
5. If any difficulties arise during assembly, consult the troubleshooting section or contact our customer support.

HIDDEN CONNECTOR INSTALLATION INSTRUCTIONS

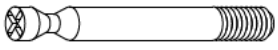
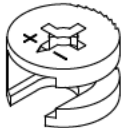
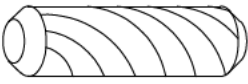




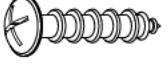


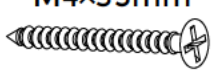
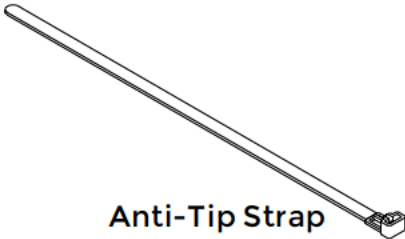
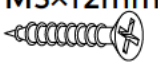






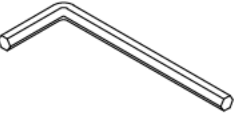


Tools Required

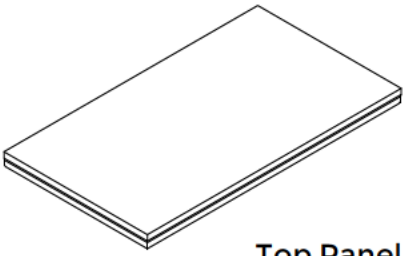
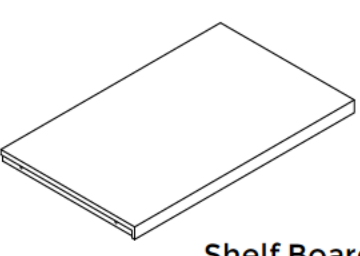
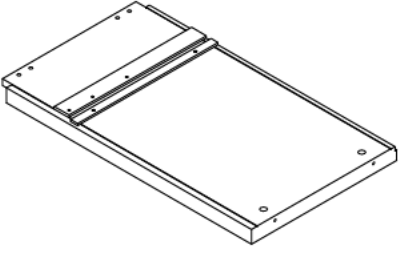
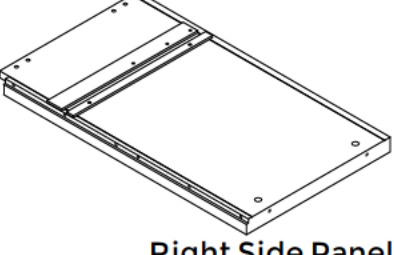
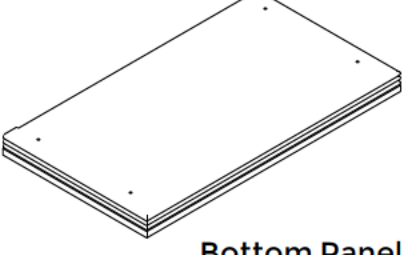
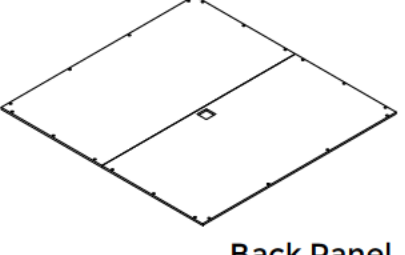
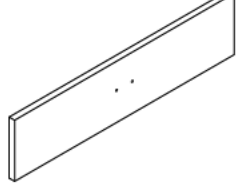
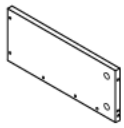
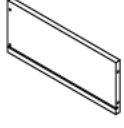
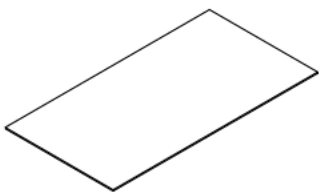
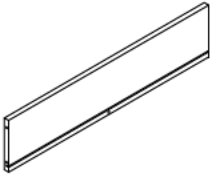



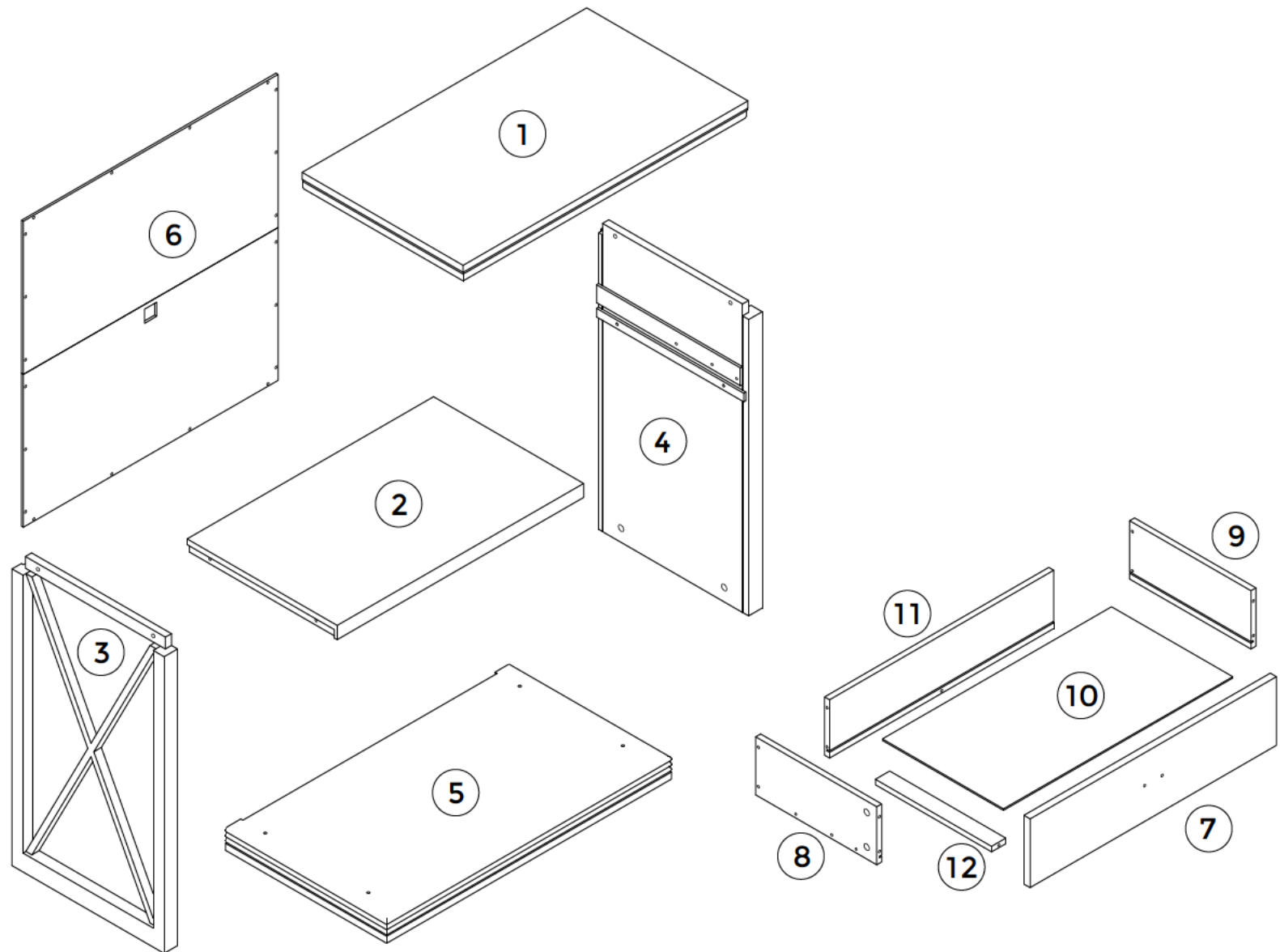
Screwdriver

Hardware parts List

No.	PICTURE	QTY	No.	PICTURE	QTY	No.	PICTURE	QTY
A	 Cam Bolt	9+1	B	 Cam Lock Nut	9+1	C	 Wooden Dowel Ø6×20mm	8+1
D	 Cabinet Slide	2	E	 Drawer Slide	2	F	 Bolt M6×28mm	4+1
G	 Washer	4+1	H	 Screw M3×12mm	20+1	I	 L-Shaped Iron Strip	4+1
J	 Anti-Tip Kit	2	K	 Screw M4×35mm	2	L	 Anti-Tip Strap	2
M	 Screw M3×12mm	12+1	N	 Screw M3.5×20mm	4+1	O	 Furniture Glide	4
P	 Handle	1	Q	 Screw M5×18mm	2	R	 Screw M3.5×30mm	5+1
S	 Hole Sticker	4+1	T	 Allen Wrench	1			

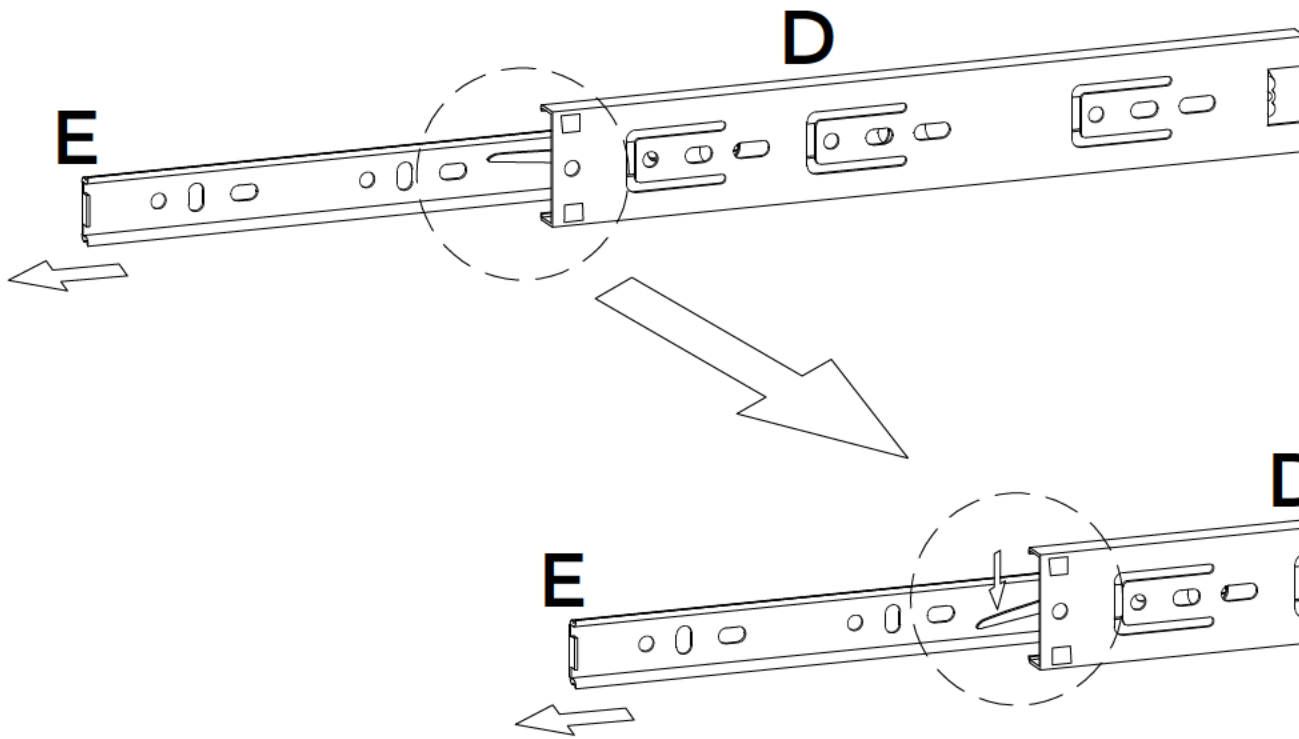
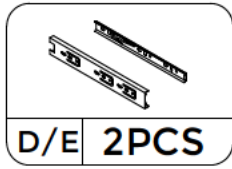
Board parts List

No.	PICTURE	QTY	No.	PICTURE	QTY	No.	PICTURE	QTY
1		1	2		1	3		1
4		1	5		1	6		1
7		1	8		1	9		1
10		1	11		1	12		1



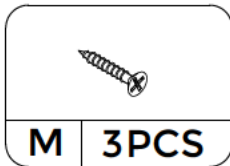
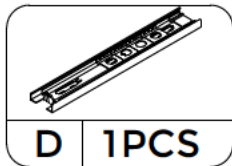
PRODUCT ASSEMBLY

1



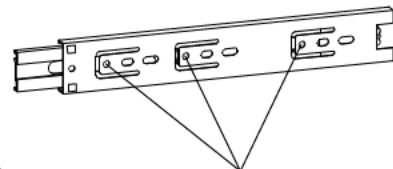
First, open the hardware package, take out the D and E slides, and slowly pull out the E slide until it is fully extended. Locate the plastic soft indicator, then press down while gently pulling out the E slide, allowing for the smooth separation of the D and E slides.

2



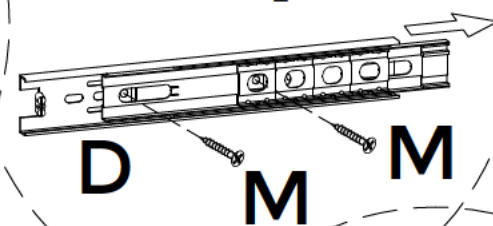
Step 1

The reverse side of slide D

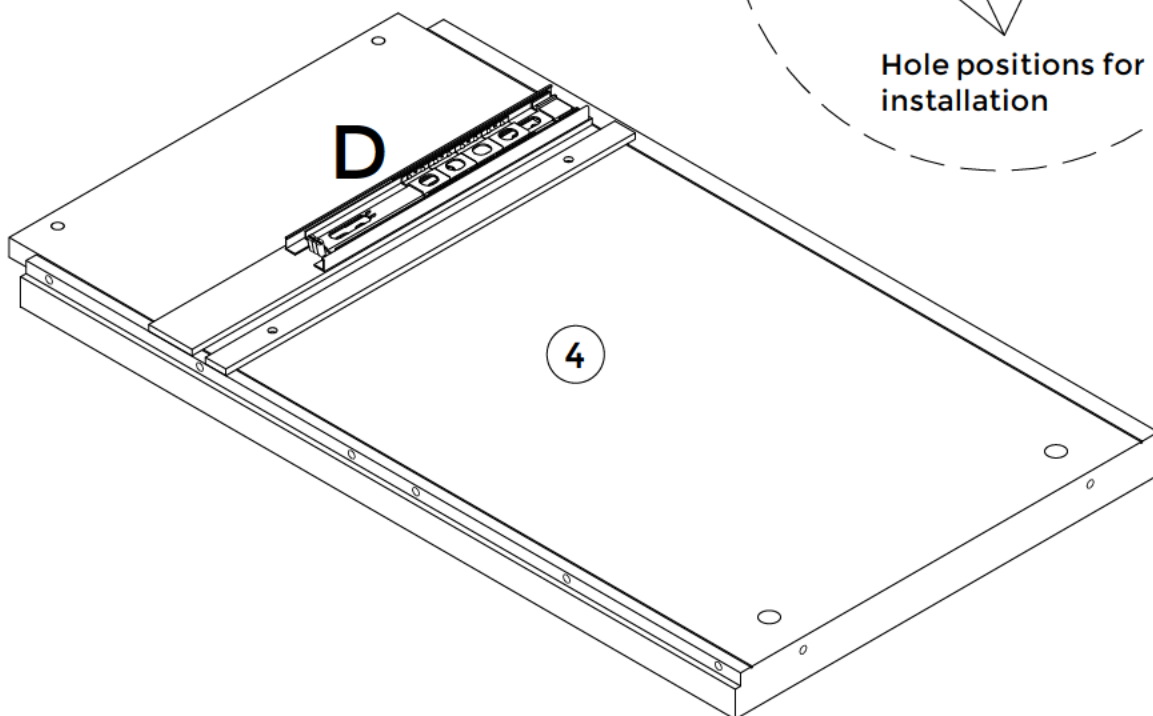
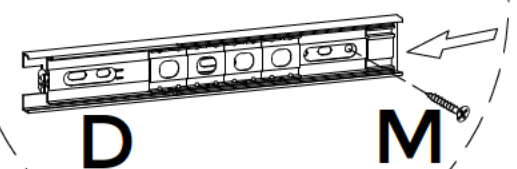


Hole positions for installation

Step 2



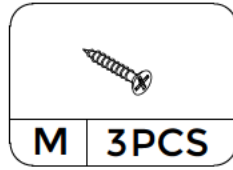
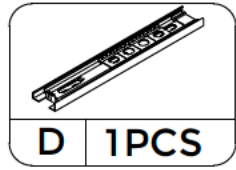
Step 3



First, observe the hole positions on the back of slide D, then flip it to the front, and slide the middle rail of D to align with the holes. Secure them by tightening with screw M.

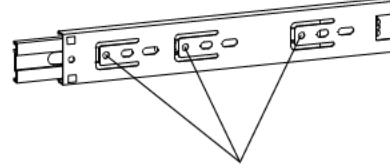
PRODUCT ASSEMBLY

3

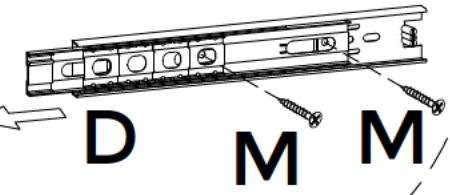


Step 1

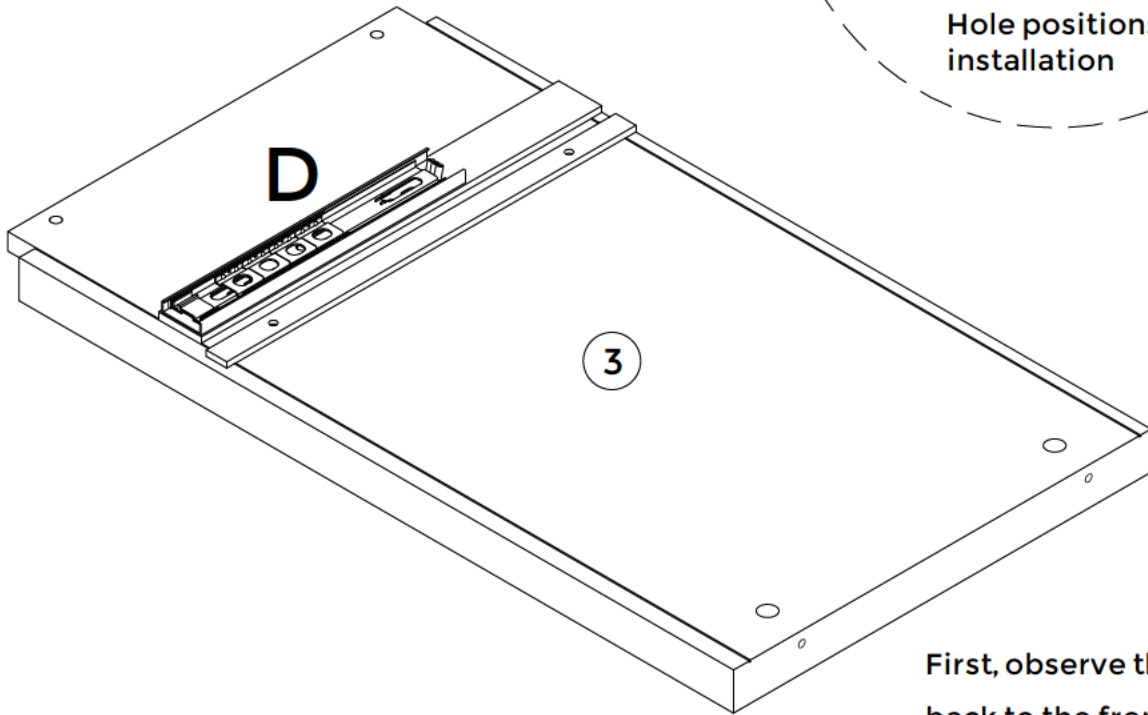
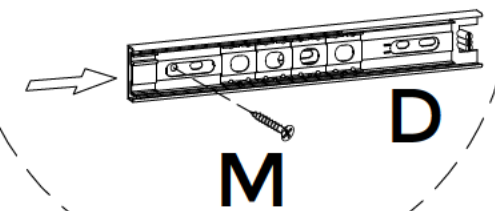
The reverse side of slide D



Step 2

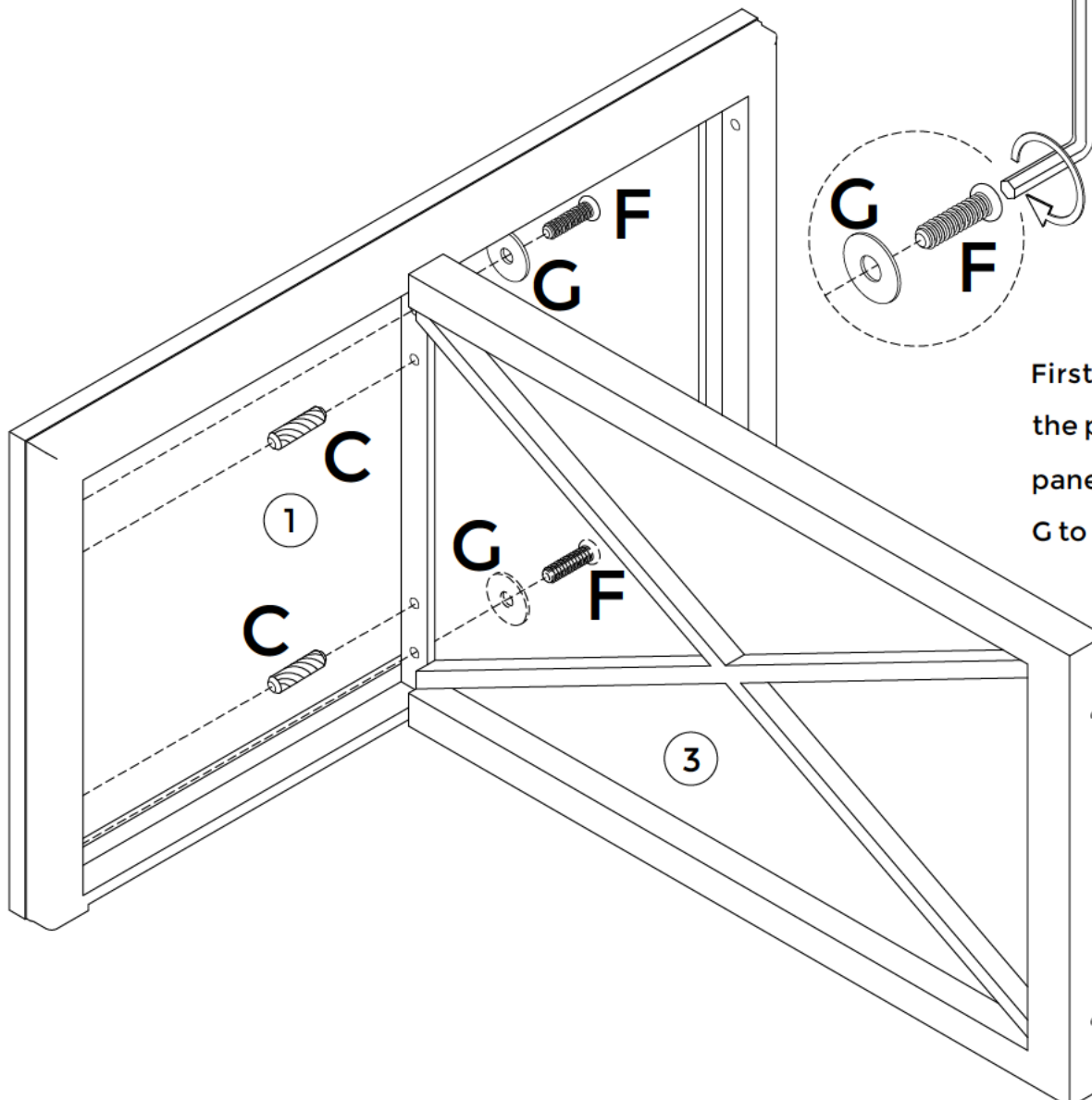
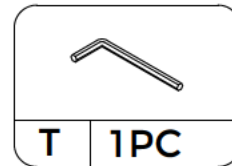
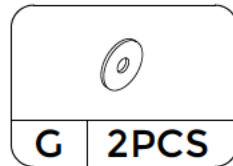
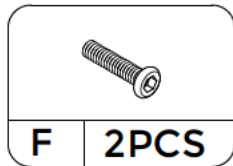


Step 3



First, observe the hole positions on the back of slide D, then flip it back to the front, and slide the middle rail of D to locate the holes. Tighten them using screw M.

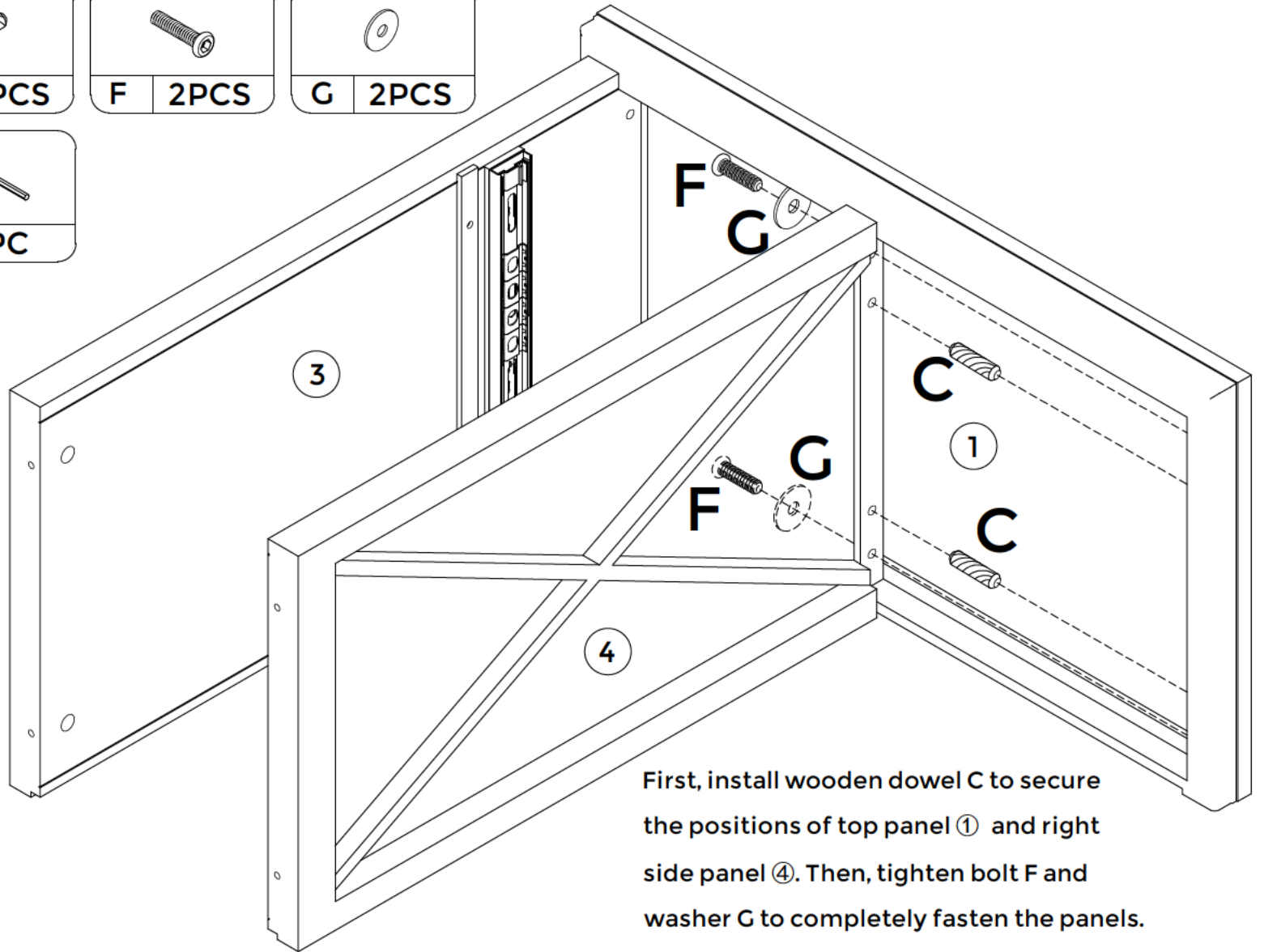
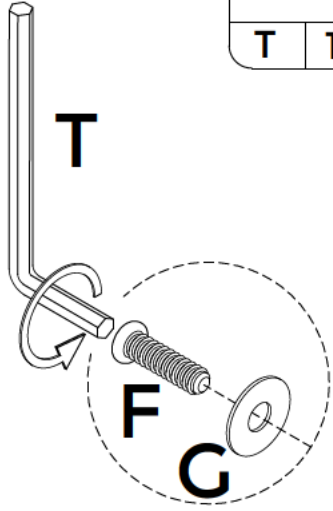
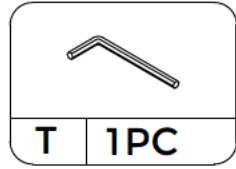
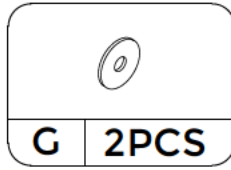
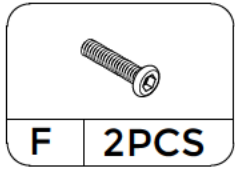
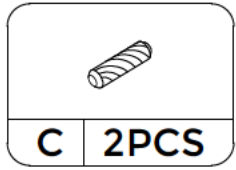
4



First, install wooden dowel C to secure the positions of top panel ① and left side panel ③. Then, tighten bolt F and washer G to completely fasten the panels.

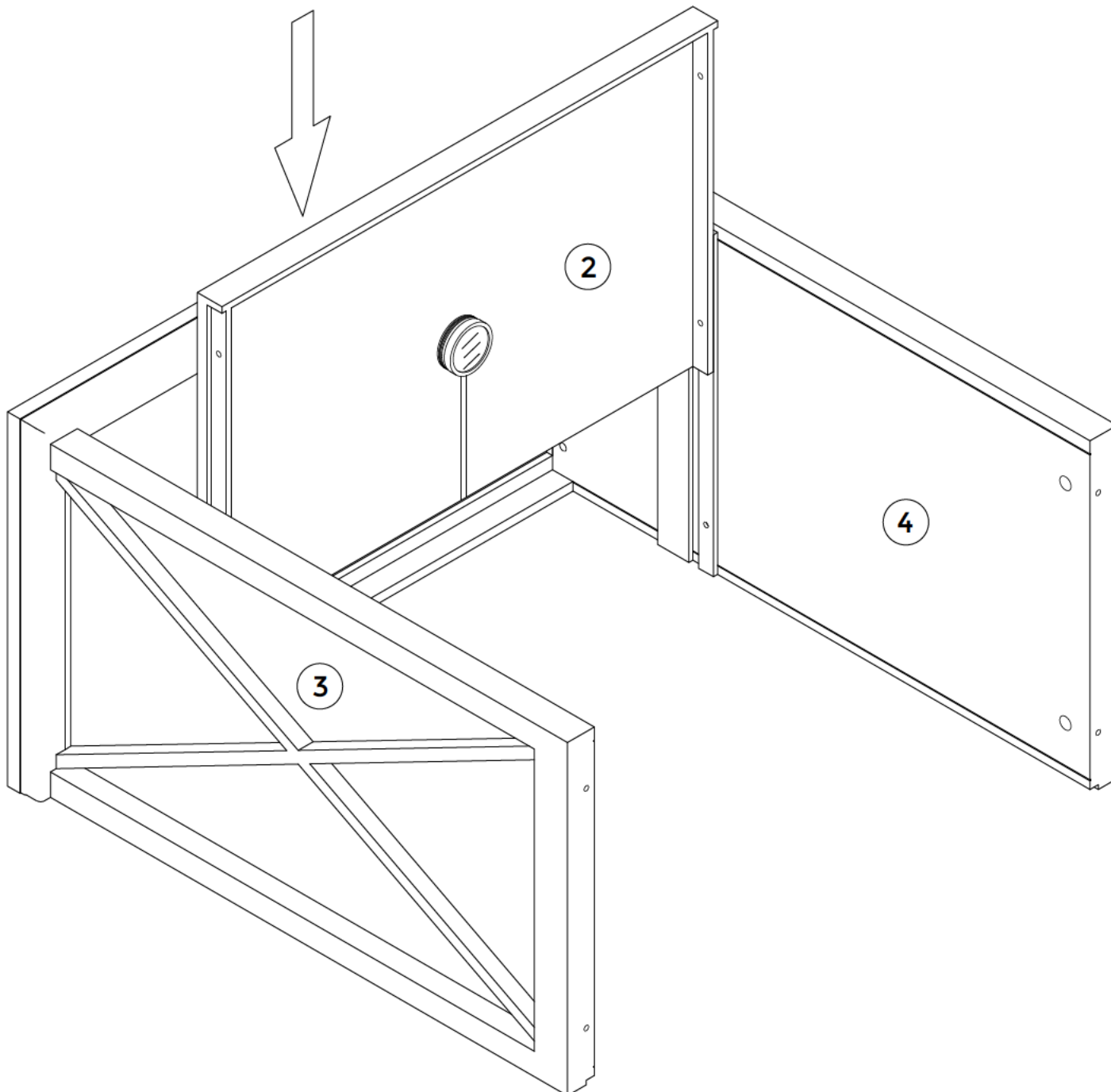
PRODUCT ASSEMBLY

5



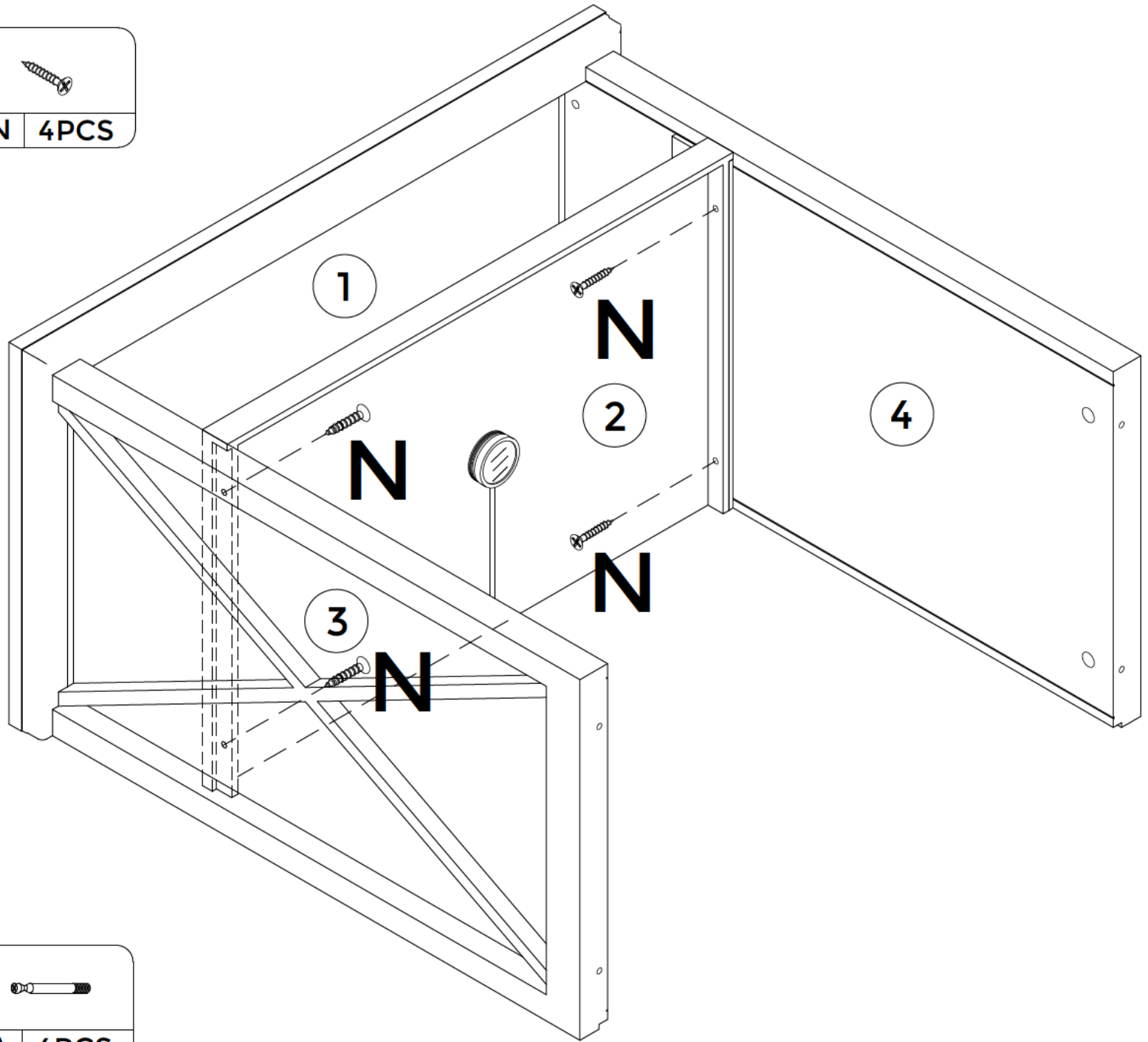
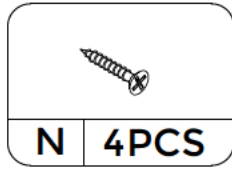
First, install wooden dowel C to secure the positions of top panel ① and right side panel ④. Then, tighten bolt F and washer G to completely fasten the panels.

6

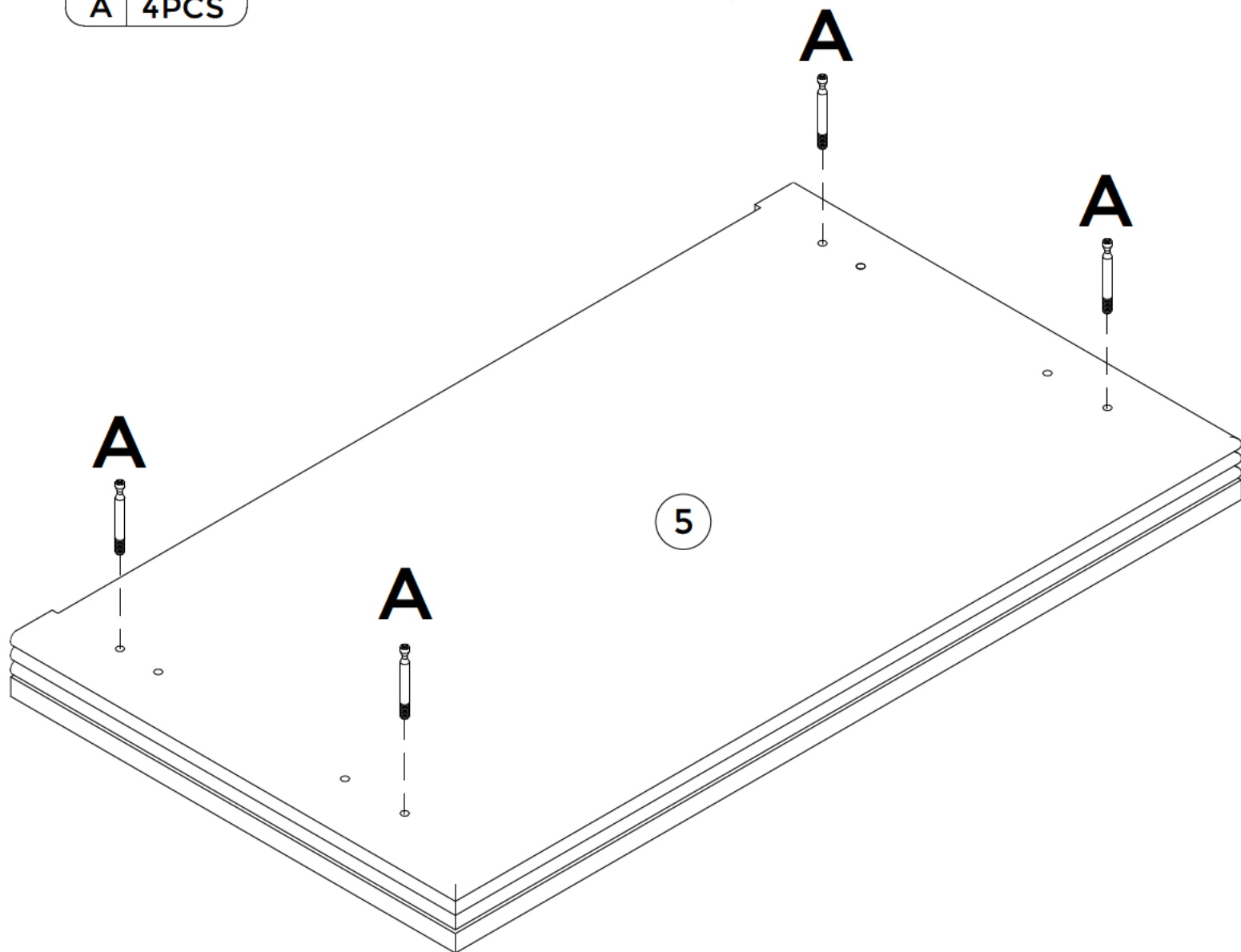
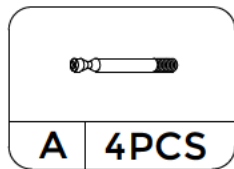


PRODUCT ASSEMBLY

7

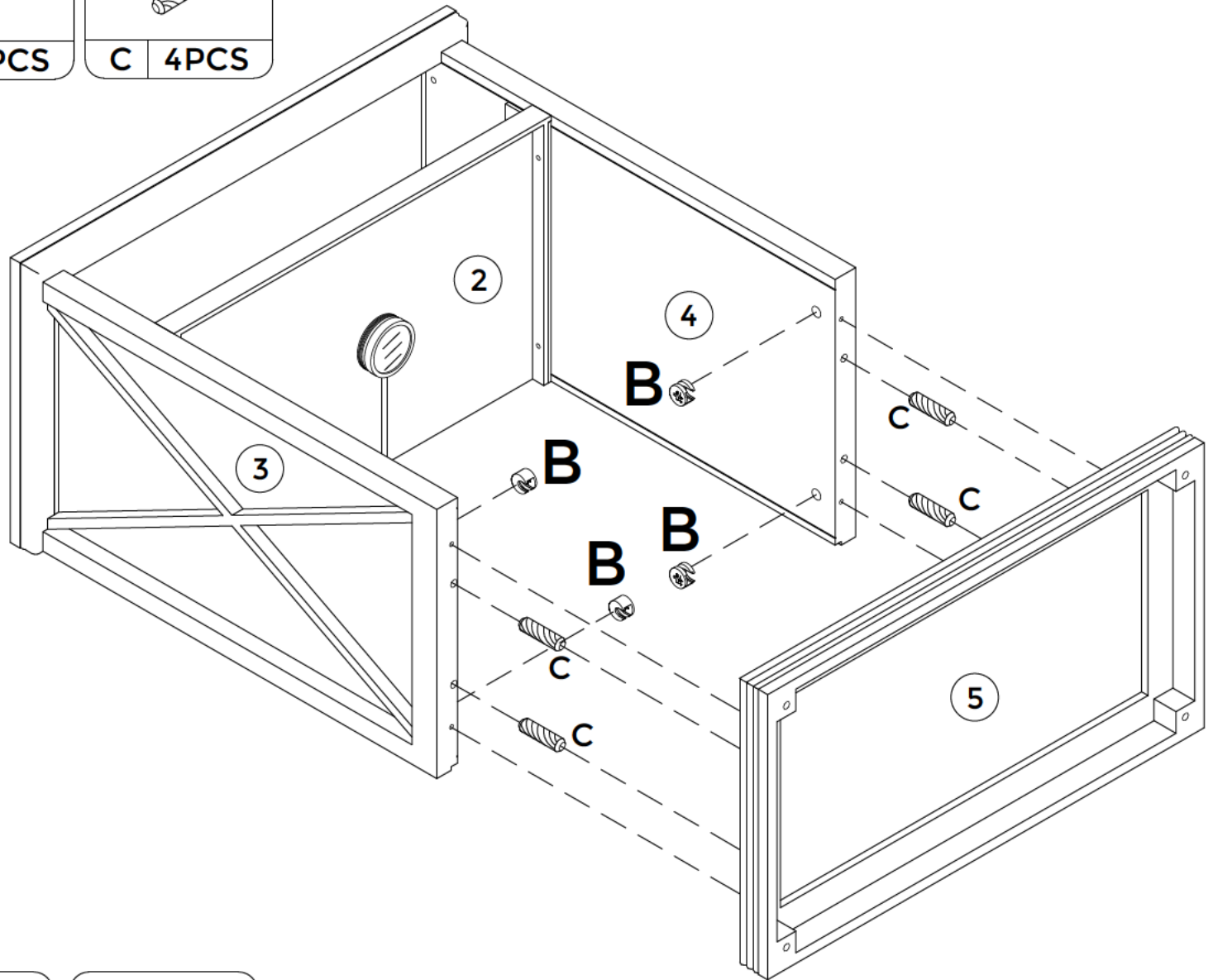
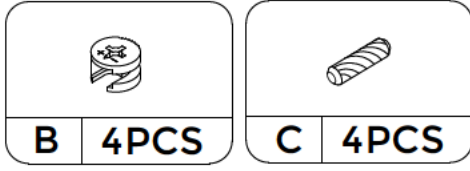


8

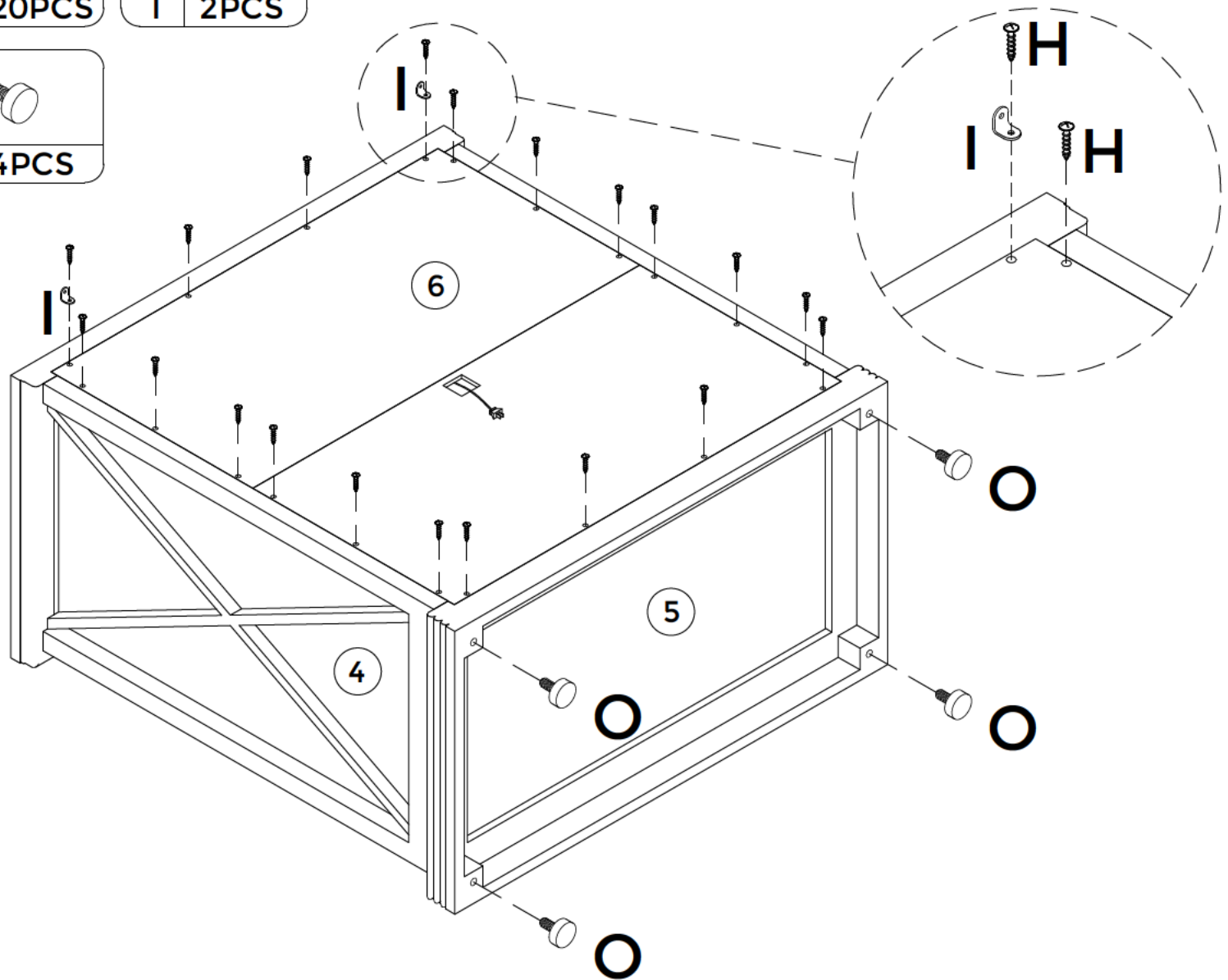
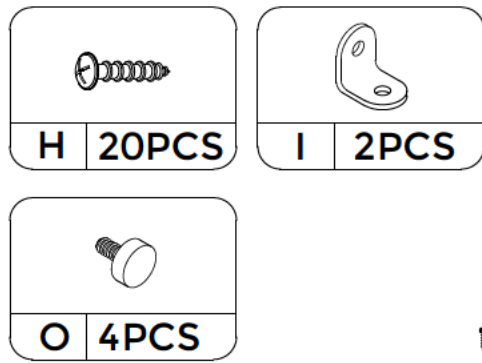


PRODUCT ASSEMBLY

9

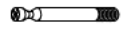




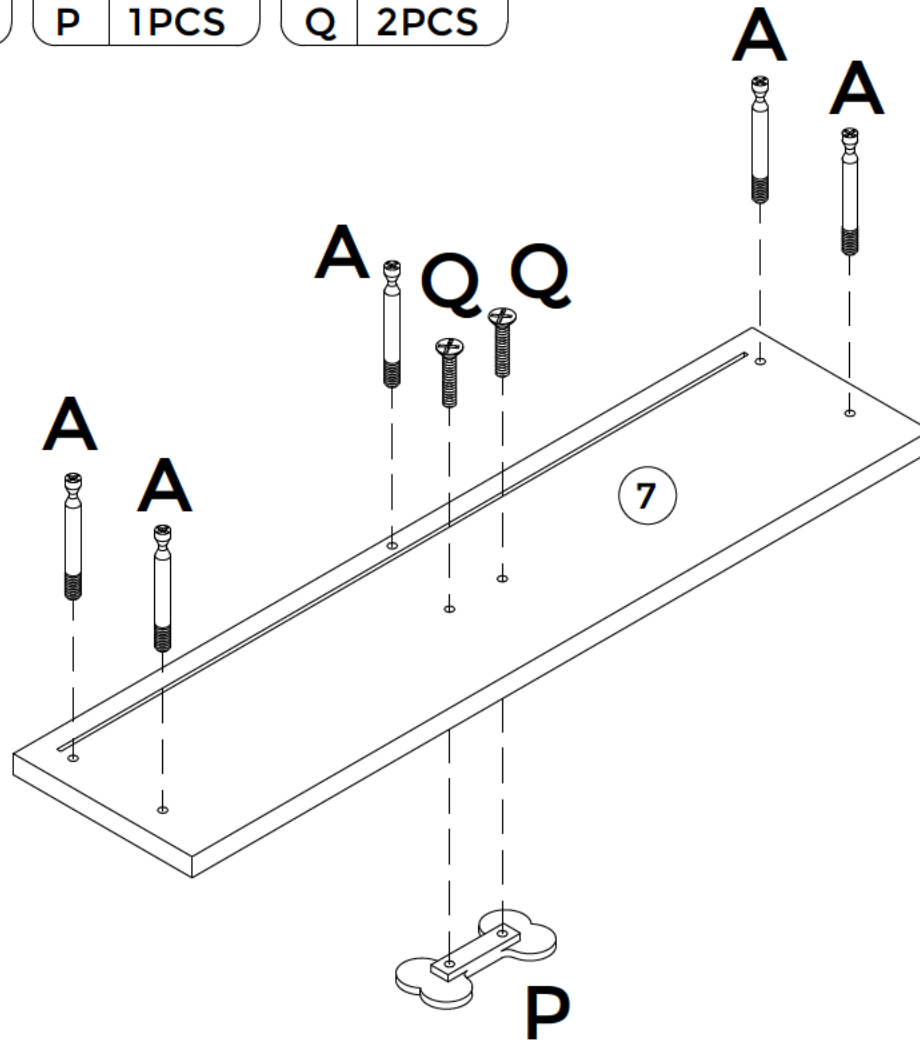
10





PRODUCT ASSEMBLY

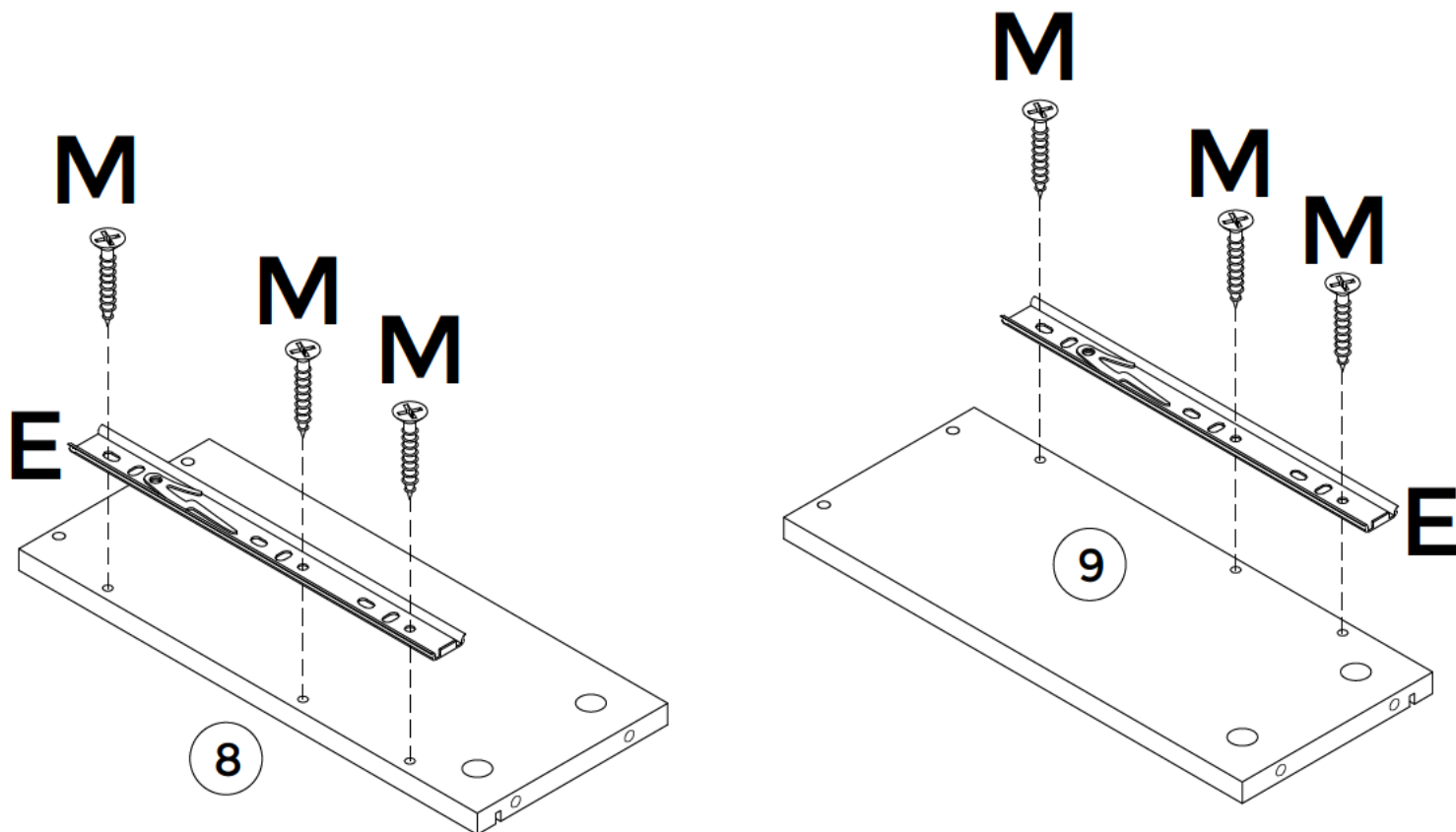
11

		
A 5PCS	P 1PCS	Q 2PCS



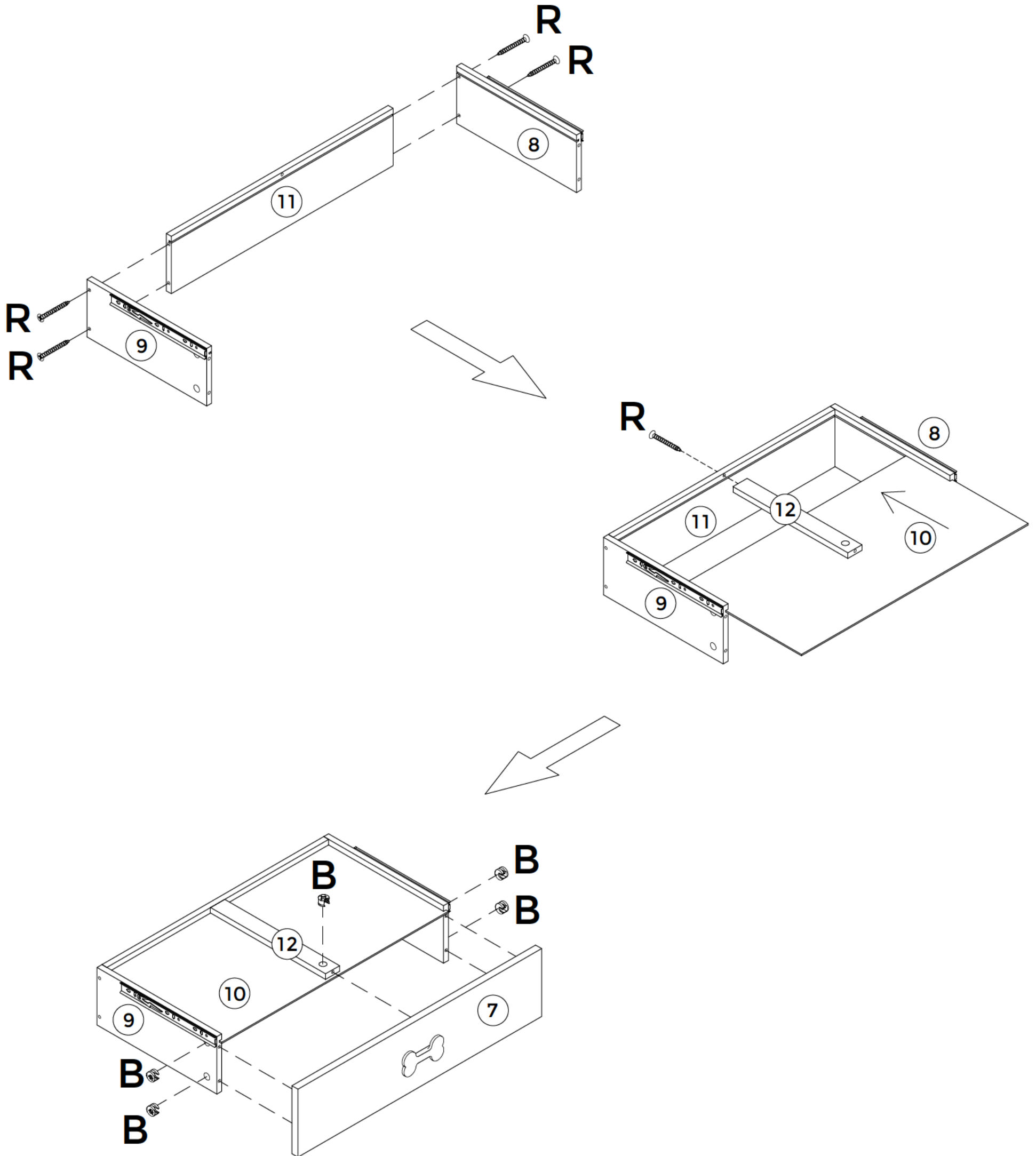
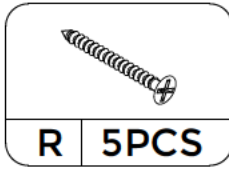
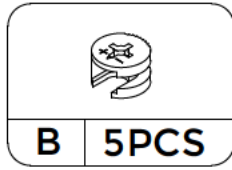
12

	
E 2PCS	M 6PCS



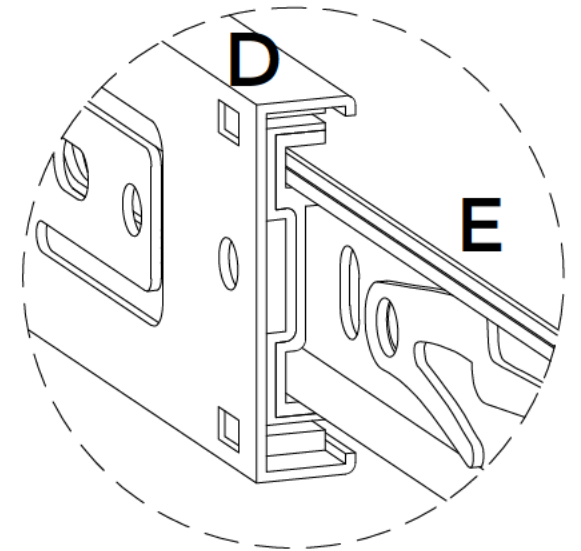
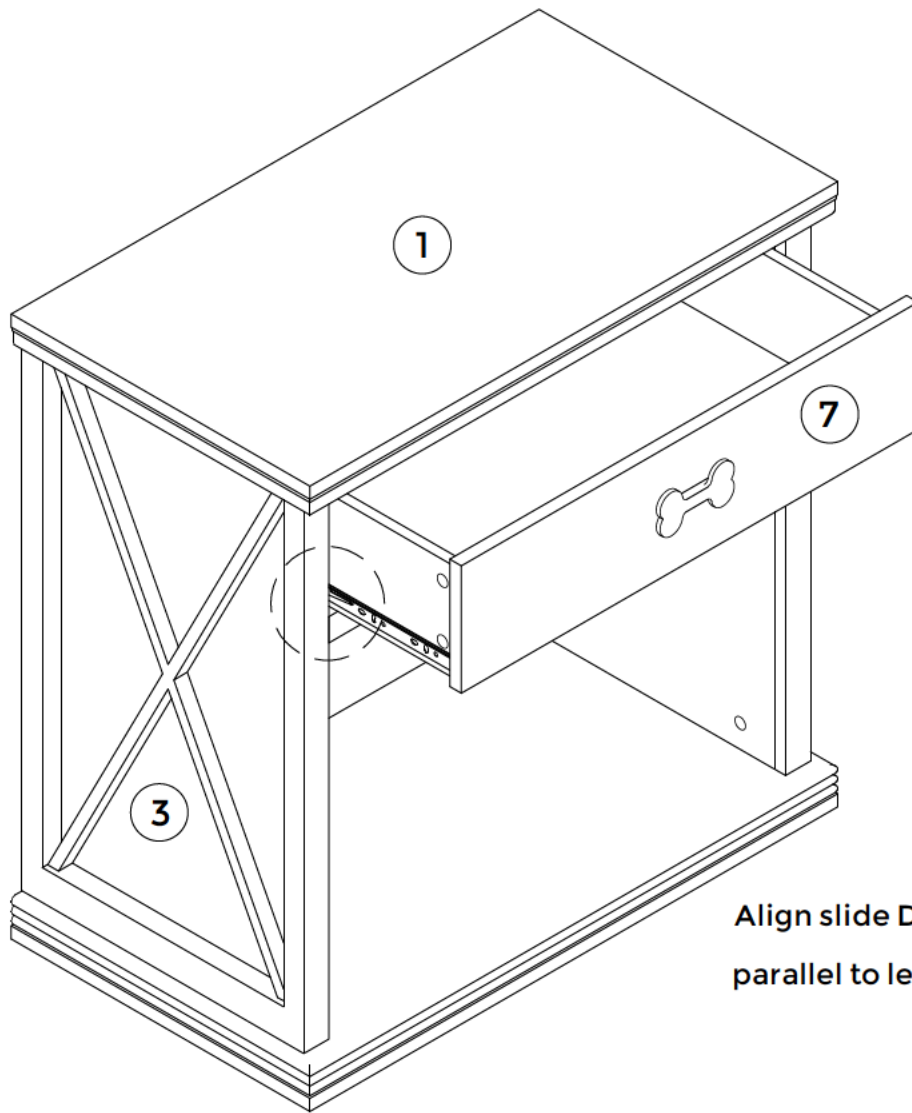
PRODUCT ASSEMBLY

13



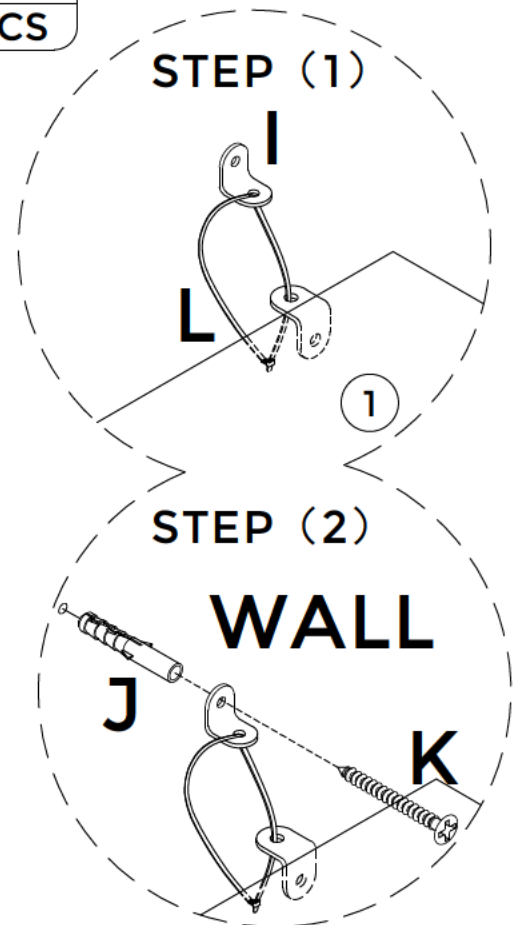
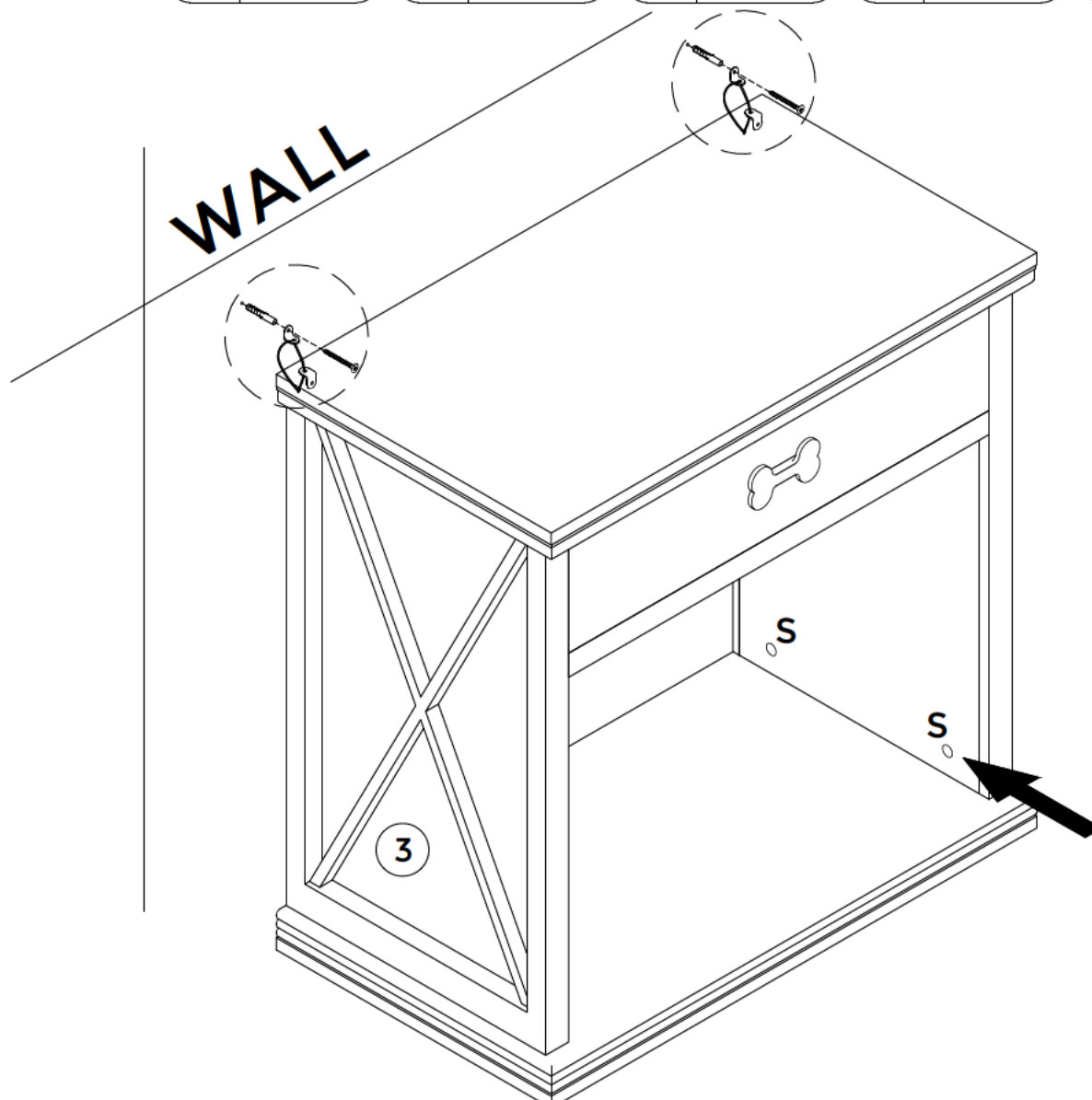
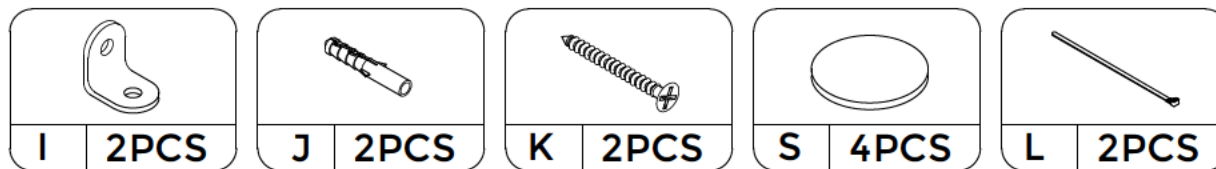
PRODUCT ASSEMBLY

14



Align slide D and E, push gently until the drawer front panel ⑦ is parallel to left side panel ③ and right side panel ④.

15



After installation, you can affix hole sticker S to cover the Cam Lock Nuts on panels ③ and ④.

MAINTENANCE AND CARE

1. Generally, it requires no more than dry, soft cloth dusting.
2. Wipe spills immediately with a clean, soft cloth.
3. To prevent fading, keep the item out of direct sunlight.

WARRANTY INFORMATION

Warranty Coverage: Our warranty provides protection against manufacturing defects in materials and workmanship for a specified period from the date of purchase, as outlined in the accompanying warranty documentation.

Exclusions: The warranty does not cover damages resulting from misuse, negligence, accidents, normal wear and tear, unauthorized repairs or modifications, improper assembly, or failure to adhere to the care and maintenance guidelines provided.