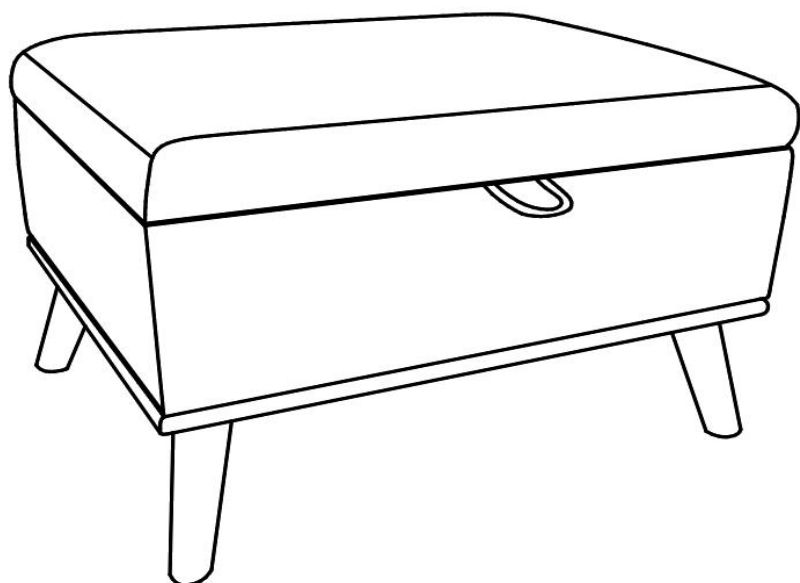
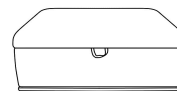


ASSEMBLY INSTRUCTIONS



SPARE PARTS



A*1PC

M8*45



C*4PCS



B*4PCS

M5



E*1PC

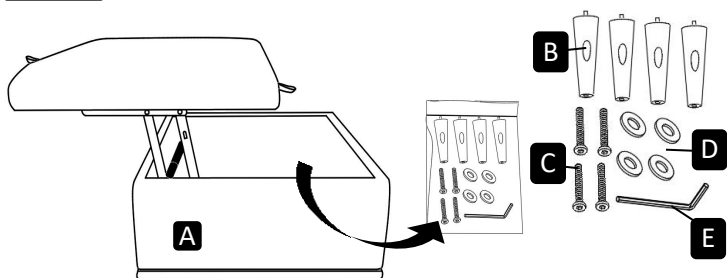
M8



D*4PCS

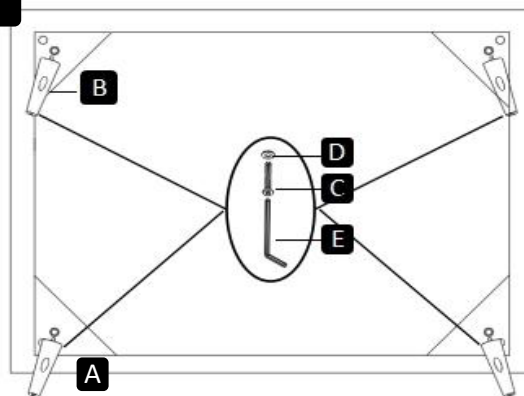
Installation Steps

STEP1

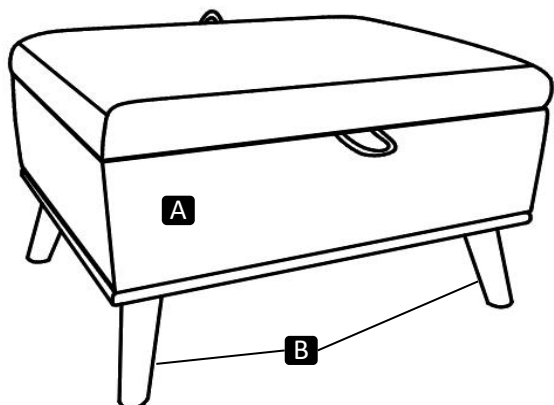


Pull up the cover gently and take out the bag of all spare parts.

STEP2



STEP3



STEP4

