

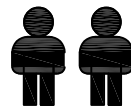
# OWNER MANUAL



Per Seat Weight Limitation  
850LBS



Installation:  
60 minutes.



Two Person

# MAINTENANCE AND WARNINGS



## Before You Start

Please follow the steps below:

- ⚠ Check the packaging for any damage, deformation, or water stains. If there is significant damage, please contact us promptly.
- ⚠ Unpack the box and compare the contents with the parts list and hardware list to ensure all components and accessories are present and complete.
- ⚠ Please read the installation instructions carefully to understand the installation steps and precautions to ensure proper installation.
- ⚠ Clean the installation area in advance and ensure the ground is level and there is enough space to avoid damaging the furniture or making installation difficult.
- ⚠ Lay a protective mat on the ground to prevent scratching the floor during installation.

### After-Sales Service

- If you encounter any issues or need technical support during use, please contact our after-sales team. We offer long-term maintenance and warranty services.



## Precautions

- ⚠ This product is for indoor use only. Do not expose it to outdoor elements or high-humidity environments.
- ⚠ Keep the product away from high heat or open flames to prevent fire hazards.
- ⚠ Do not allow children to climb on the product, as this may cause tipping and result in personal injury.



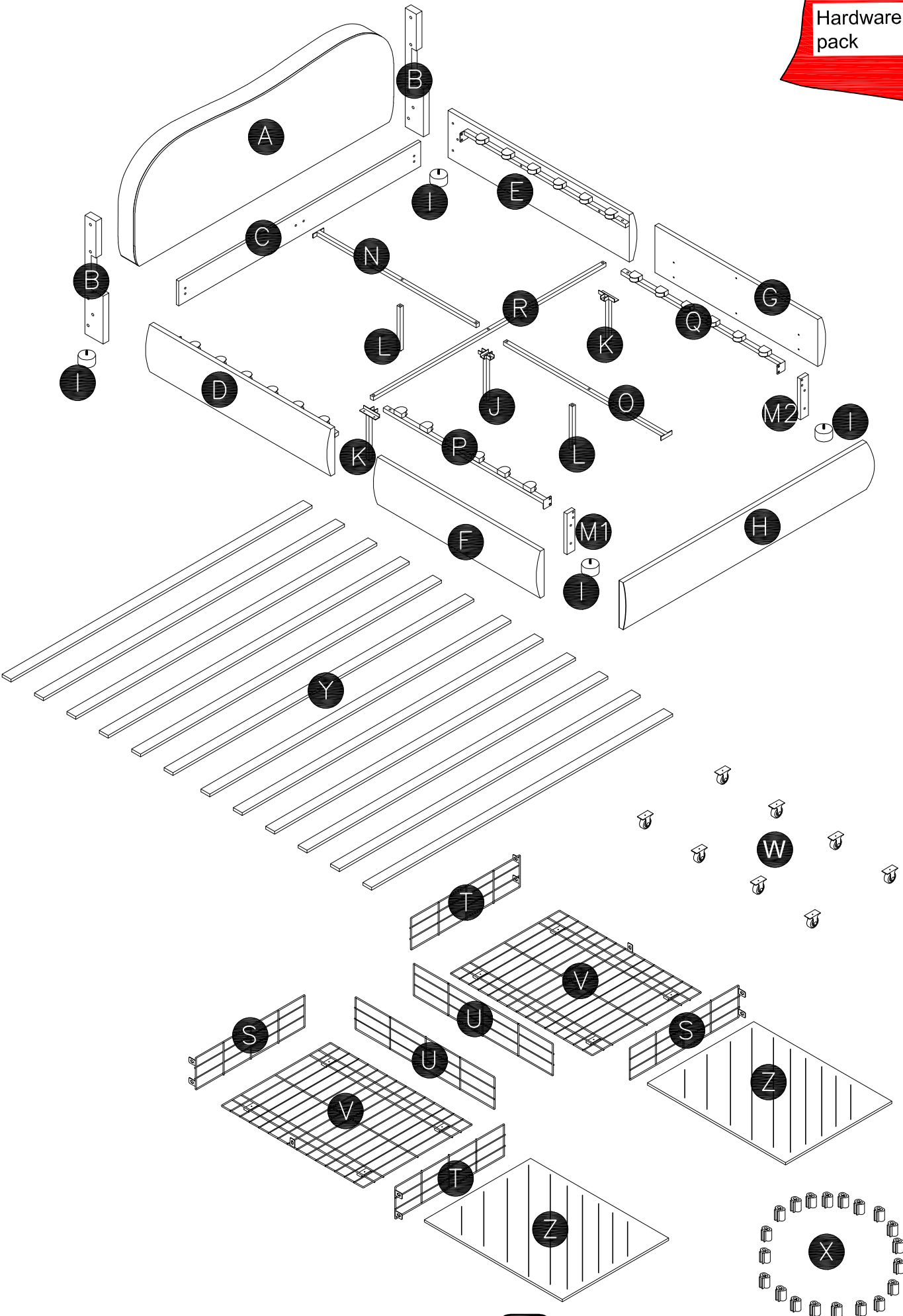
## Safety Warnings

- ⚠ If you notice any loose or damaged parts, stop using the product immediately and contact customer service.
- ⚠ Do not attempt to disassemble or replace any components yourself, as this may affect the stability and safety of the product.

- Daily Maintenance  
Regularly clean the surface with a soft cloth to prevent dust accumulation.
- Do not use cleaning agents containing acids, alkalis, or corrosive substances, as they may damage the surface. It is recommended to use neutral cleaning agents or specialized furniture cleaners.
- Avoid exposing furniture to humid environments for extended periods. Use a dehumidifier or desiccant during humid weather.
- Avoid direct contact of furniture with water. If water is accidentally spilled, wipe it dry immediately.
- Avoid placing excessively heavy objects on the furniture: ensure the weight is within a reasonable load-bearing range.
- Avoid using sharp or rough items on the furniture surface to prevent scratches. Handle items gently when moving them.

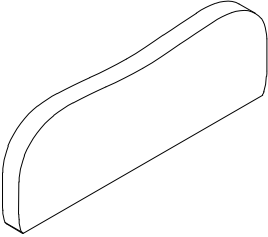
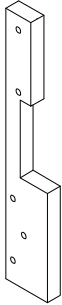
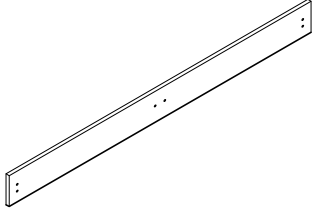
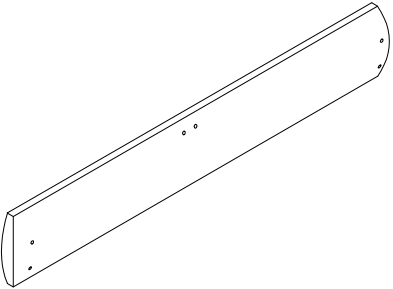
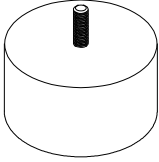
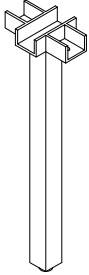
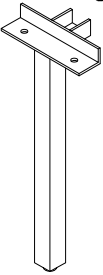


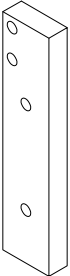
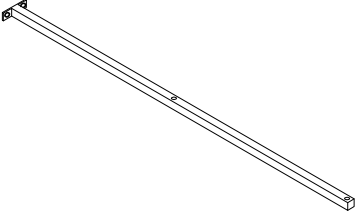
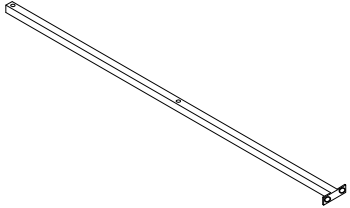
# Explosive view

Hardware pack



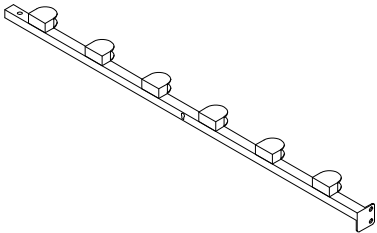
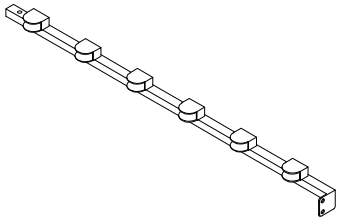
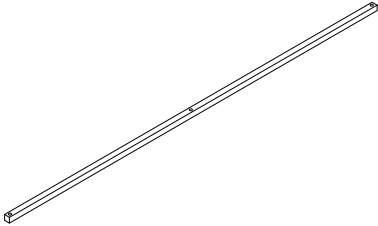
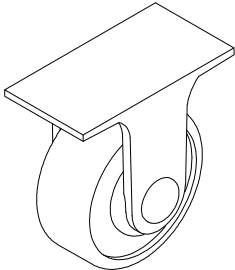
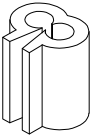
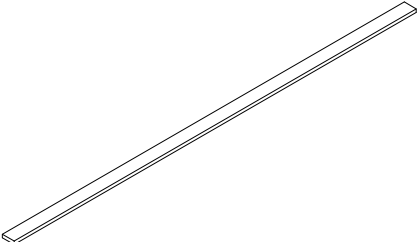

# Parts list

Box A

<p>A x1 Head boad</p> 	<p>B x2 Connecting wooden bar</p> 	<p>C x1 Wooden plank</p> 
<p>H x1 End of bed</p> 	<p>I x4 Wooden legs</p> 	<p>J x1 Mental leg</p> 
<p>K x2 Mental legs</p> 	<p>L x2 Mental legs</p> 	<p>M1 x1 Back left Mental leg</p> 
<p>M2 x1 Back right Mental leg</p> 	<p>N x1 Front mental frame</p> 	<p>O x1 Back mental frame</p> 

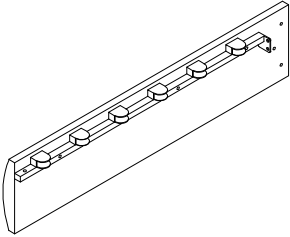
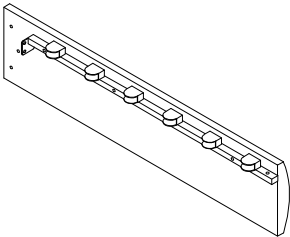
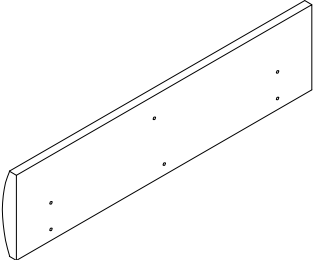
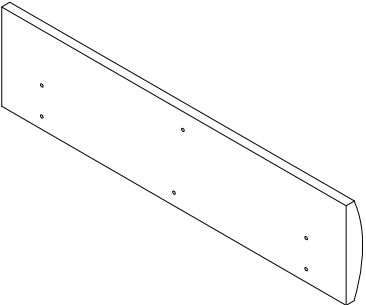
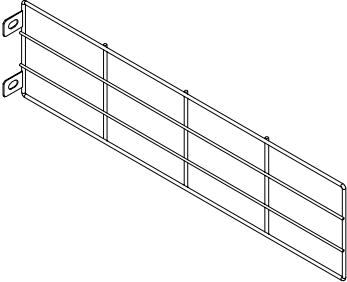
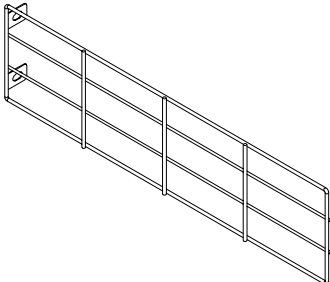
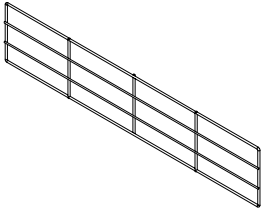
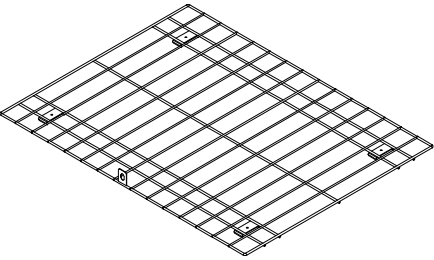
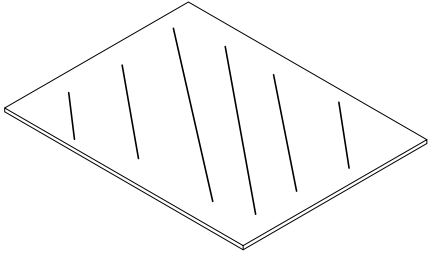
# Parts list

Box A

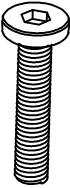
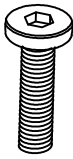
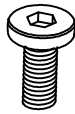
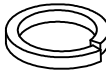
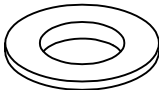
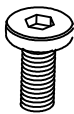
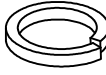
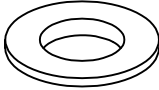


<p>P x1 Left mental frame</p>  A long, thin metal frame with five small rectangular blocks spaced along its top edge.	<p>Q x1 Right mental frame</p>  A long, thin metal frame with five small rectangular blocks spaced along its top edge, mirroring the left frame.	<p>R x1 Middle mental frame</p>  A long, thin metal frame consisting of two parallel bars.
<p>W x8 Wheel</p>  A white plastic wheel with a flat top surface and a curved base.	<p>X x22 Plastic button</p>  A small, white plastic button with a circular top and a rectangular base.	<p>Y x12 Bed Slat</p>  A long, thin, white plastic slat.
<p>Hardware Pack</p>  A red, rectangular hardware pack with a white label that reads "Hardware pack".		

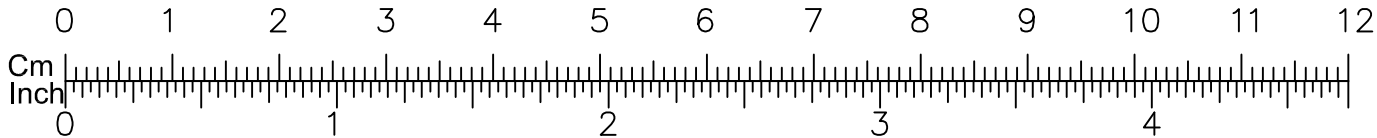
# Parts list

## Box B

<p>D x1 Front left bed side</p>  A long, narrow wooden board with a rounded front edge. It features a series of five circular holes along its length and two small rectangular slots near the front end.	<p>E x1 Front right bed side</p>  A long, narrow wooden board with a rounded front edge, similar to part D but with a different hole arrangement.	<p>F x1 Left rear bed side</p>  A long, narrow wooden board with a rounded front edge and several small rectangular slots along its length.
<p>G x1 Right rear bed side</p>  A long, narrow wooden board with a rounded front edge and several small rectangular slots along its length.	<p>S x2 Left drawers</p>  A metal wire mesh structure consisting of two parallel horizontal rails connected by three vertical dividers.	<p>T x2 Right drawers</p>  A metal wire mesh structure consisting of two parallel horizontal rails connected by three vertical dividers, similar to part S.
<p>U x2 Back drawers</p>  A metal wire mesh structure consisting of two parallel horizontal rails connected by three vertical dividers.	<p>V x2 Bottom drawers</p>  A metal wire mesh structure consisting of two parallel horizontal rails connected by seven vertical dividers.	<p>Z x2 Wooden drawer panel</p>  A rectangular wooden panel with several vertical slats or dividers.

# Hardware List

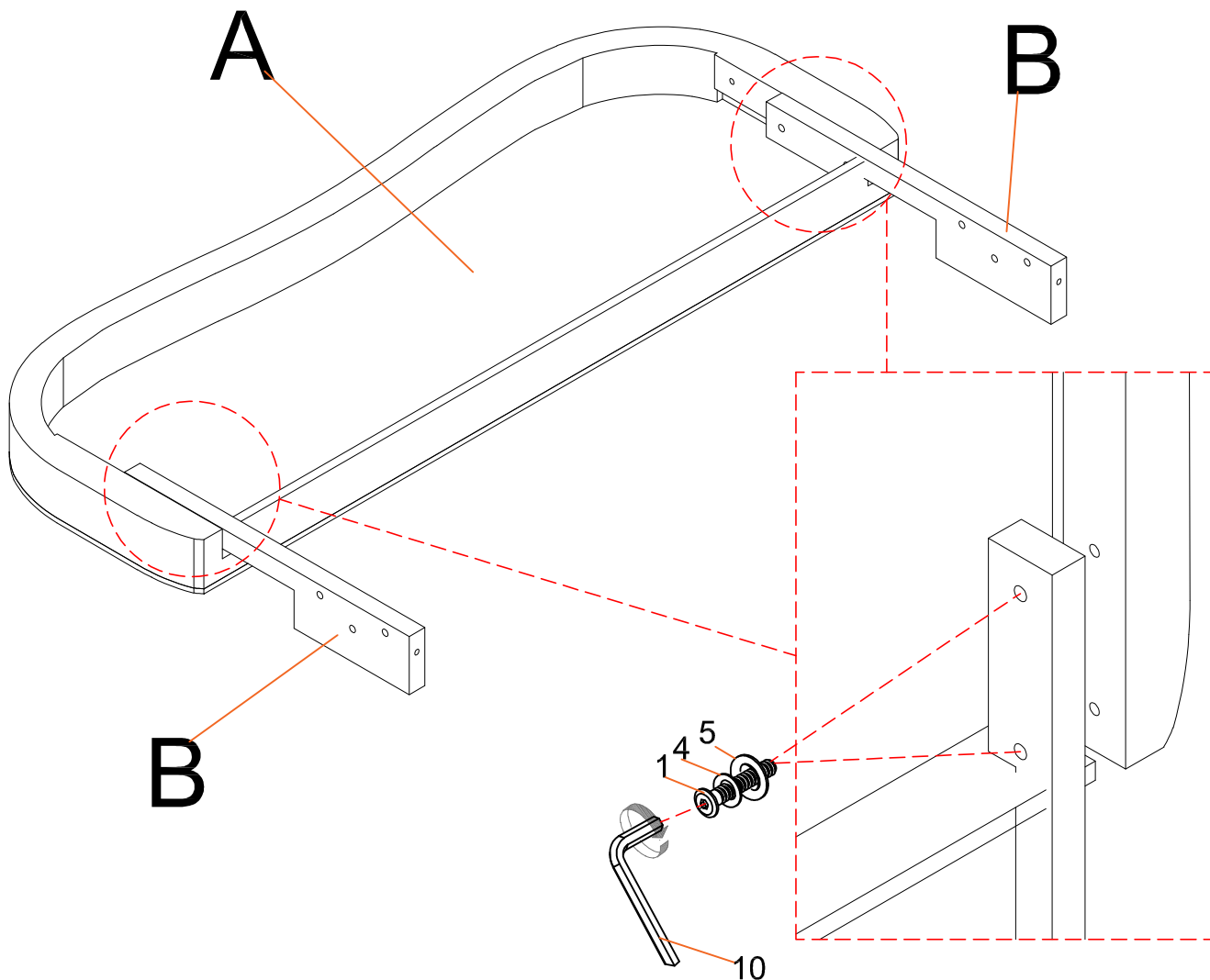
<p>1</p>  <p>x10+1</p> <p>Ø 5/16"x2-1/4"</p>	<p>2</p>  <p>x15+2</p> <p>Ø 5/16"x1-1/2"</p>	<p>3</p>  <p>x12+2</p> <p>Ø 5/16"x3/4"</p>
<p>4</p>  <p>x37+5</p> <p>Ø 5/16"x13mm</p>	<p>5</p>  <p>x37+5</p> <p>Ø 5/16"x19mm</p>	<p>6</p>  <p>x12+1</p> <p>Ø 1/4"x3/4"</p>
<p>7</p>  <p>x12+1</p> <p>Ø 1/4"x10.5mm</p>	<p>8</p>  <p>x12+1</p> <p>Ø 1/4"xØ 16x1.5mm</p>	<p>9</p>  <p>x8</p> <p>Ø 5/32"x1/4"</p>
<p>10</p>  <p>x1</p>		

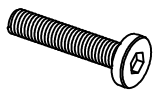

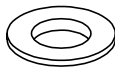



Note: Before installing the screws, please first distinguish the length of the screw rods.

**Step 1**

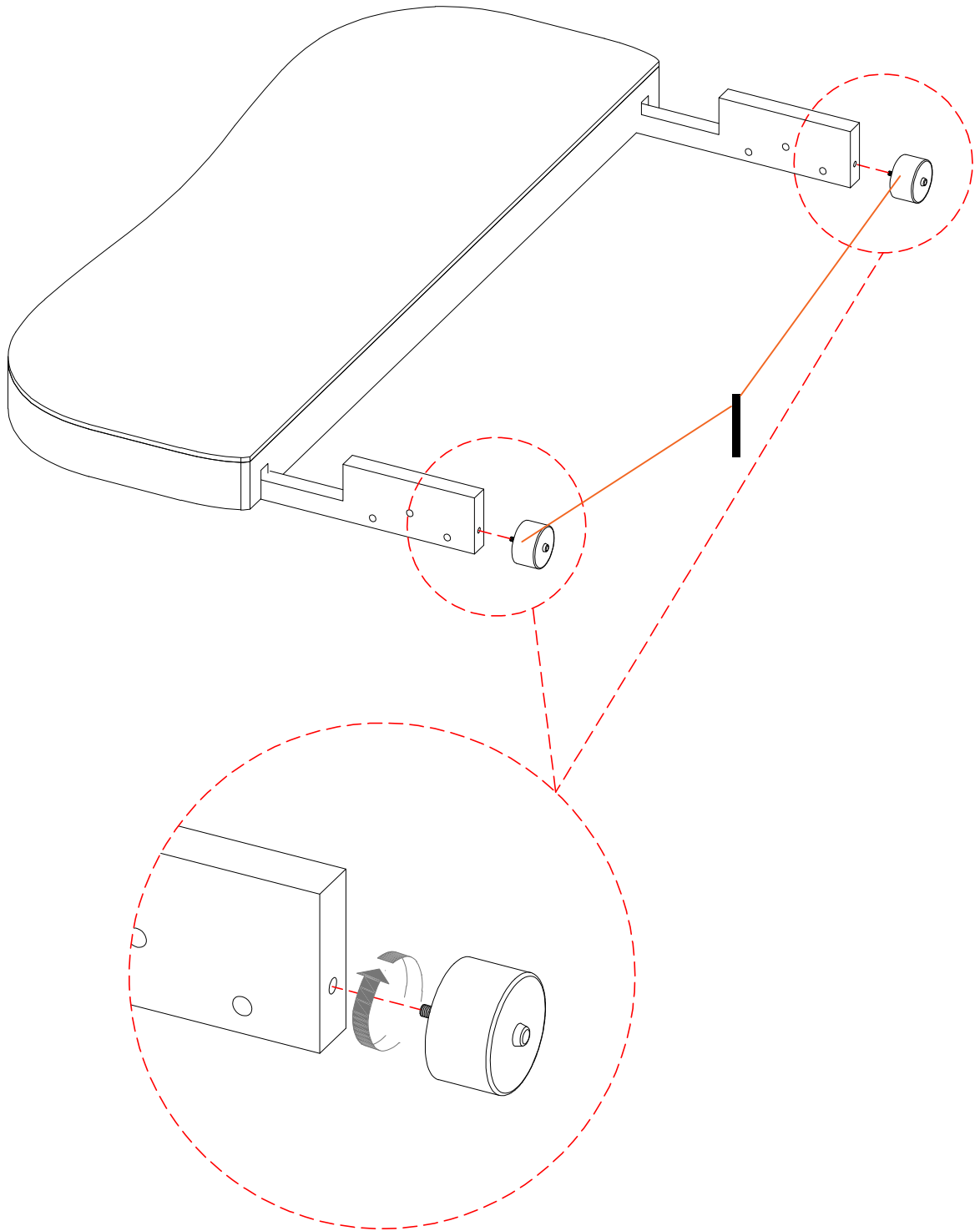
Insert A and B just tighten the screws 50% until complete Step 1 tighten the screws 100%.



1	x4	4	x4	5	x4	10
						
ø5\16"x2-1/4"		ø5\16x13mm		ø5\16xø19x1.5mm		

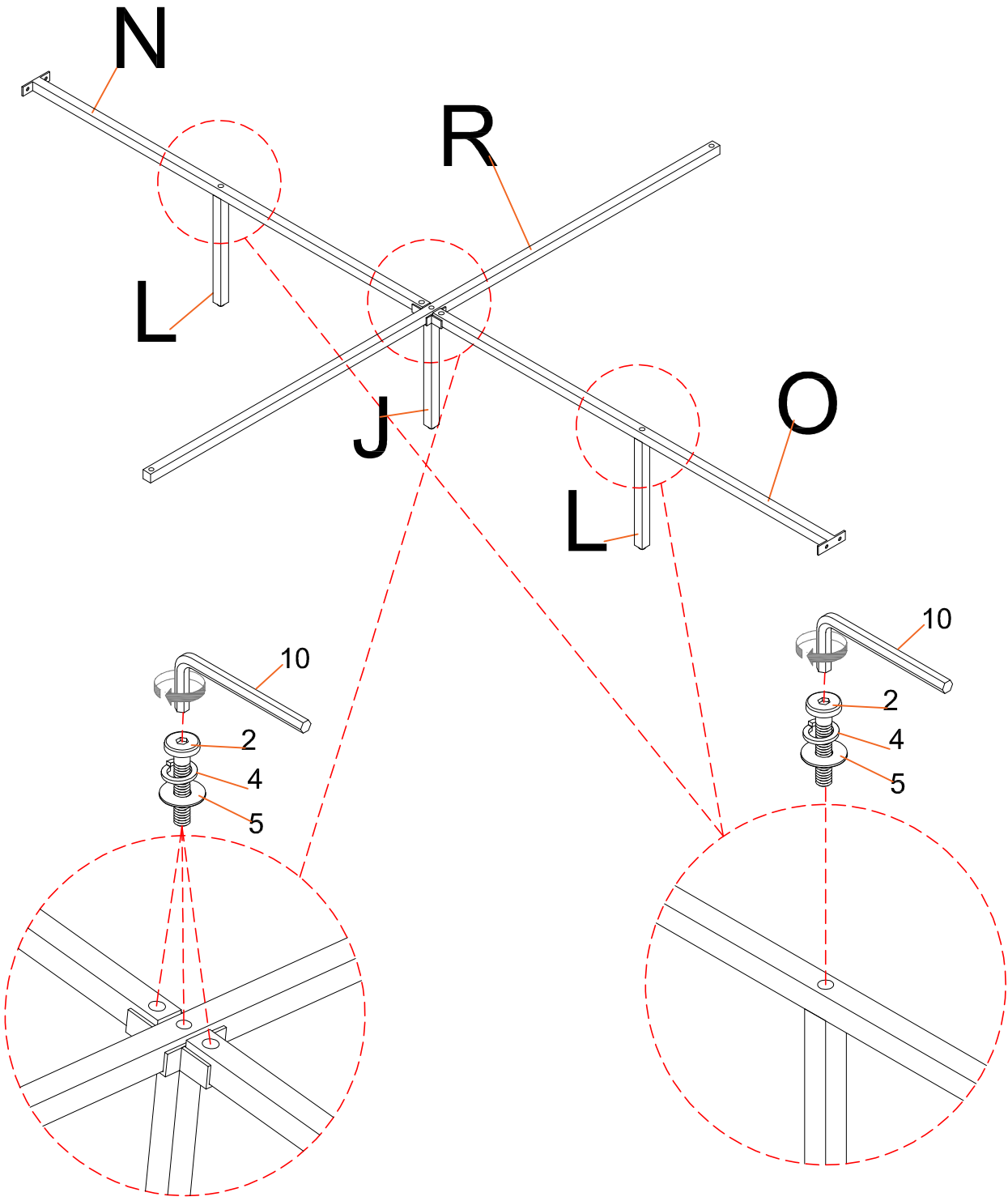
Step 2

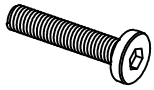

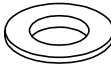

Insert **I** fully assembly 100%



# Step 3

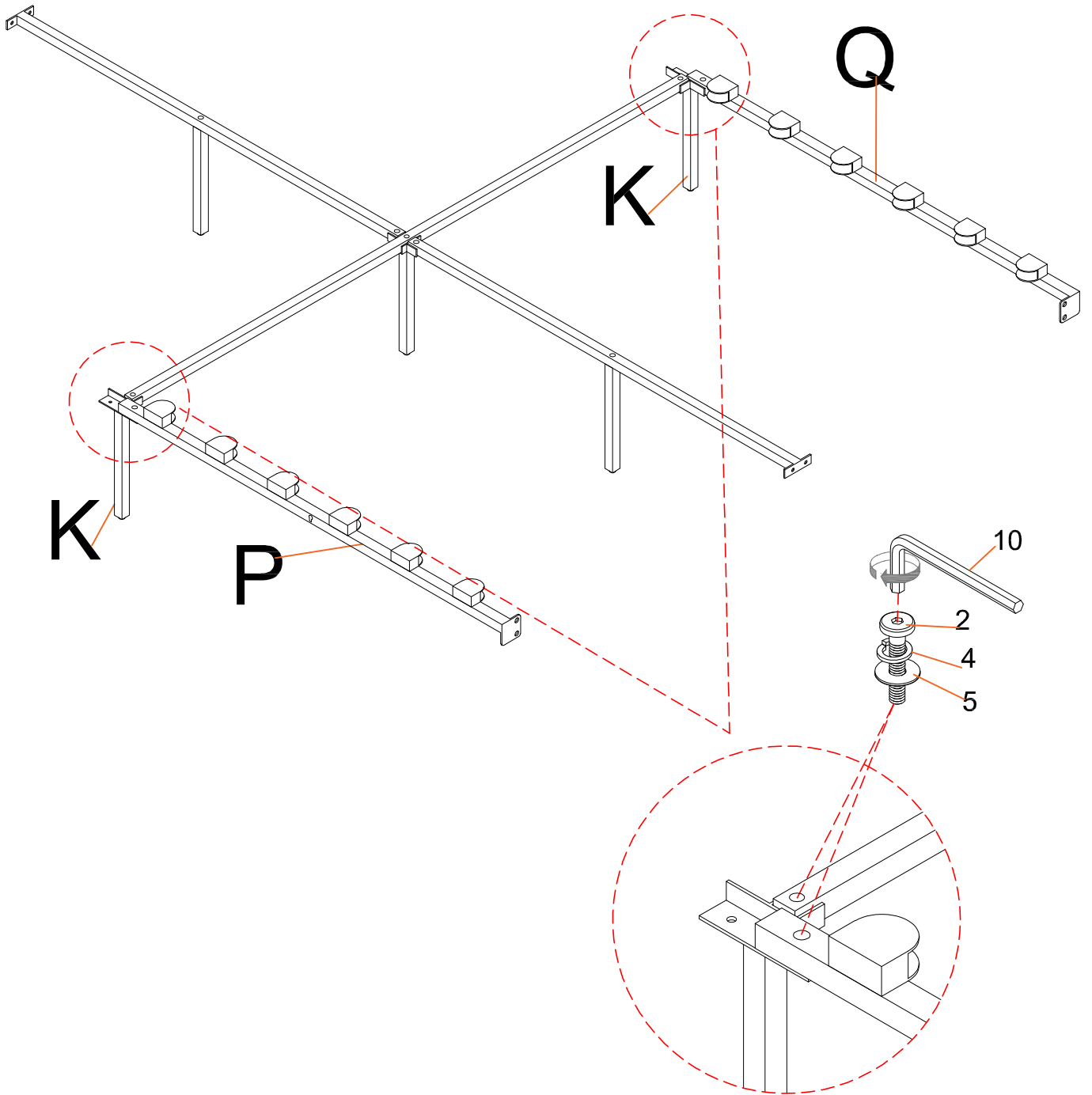
Insert N,R,O,L and J tighten the screws 100%.

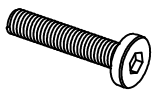

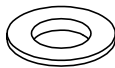



2	x5	4	x5	5	x5	10
						
ø 5\16"x1-1/2"		ø 5\16x13mm		ø 5\16xø 19x1.5mm		

**Step 4**

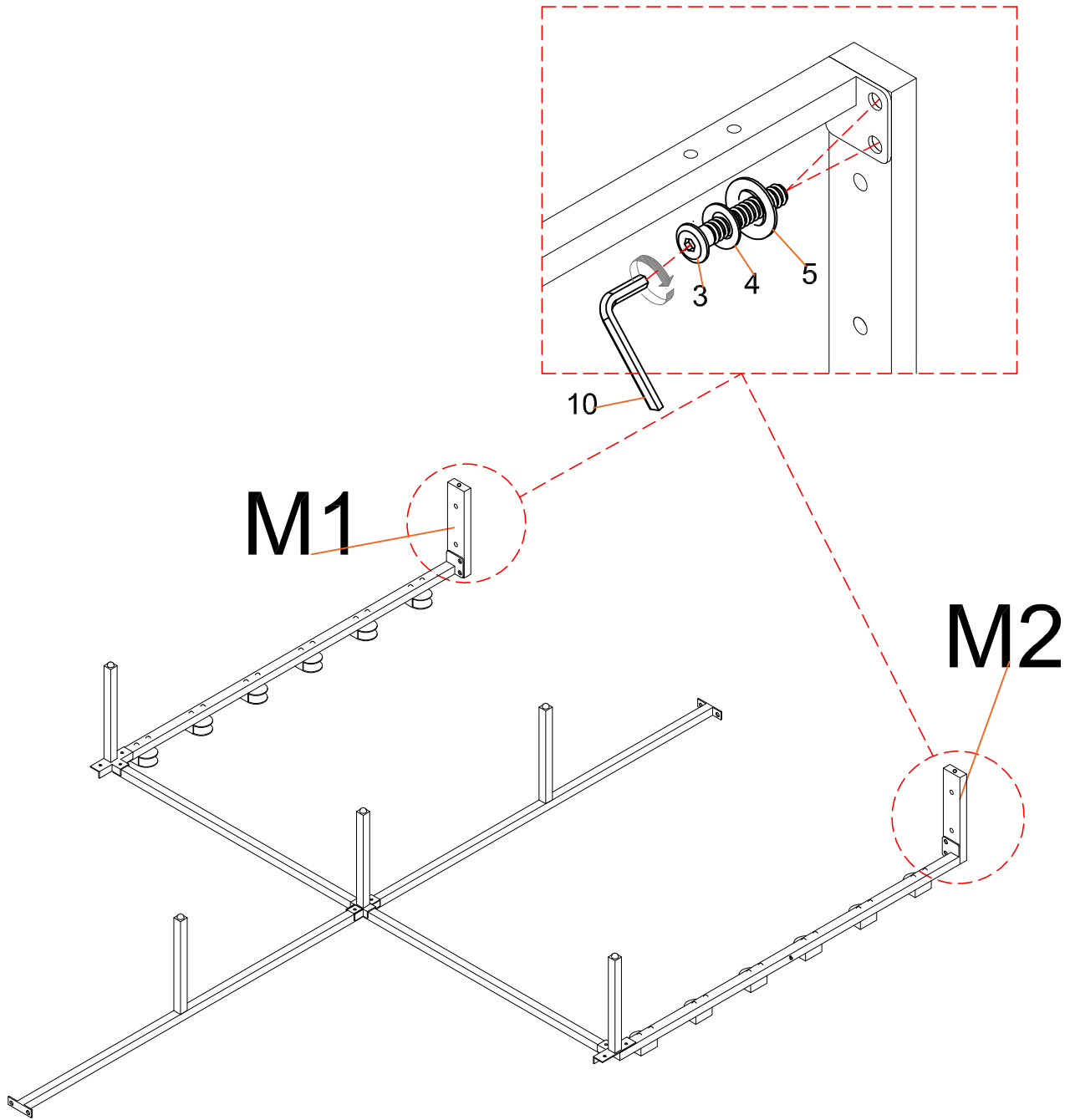
Insert Q,P,K tighten the screws 100%.

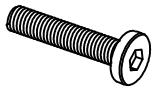

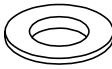
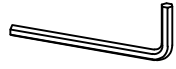


2	x4	4	x4	5	x4	10
						
ø 5/16"x1-1/2"		ø 5/16x13mm		ø 5/16xø 19x1.5mm		

**Step 5**

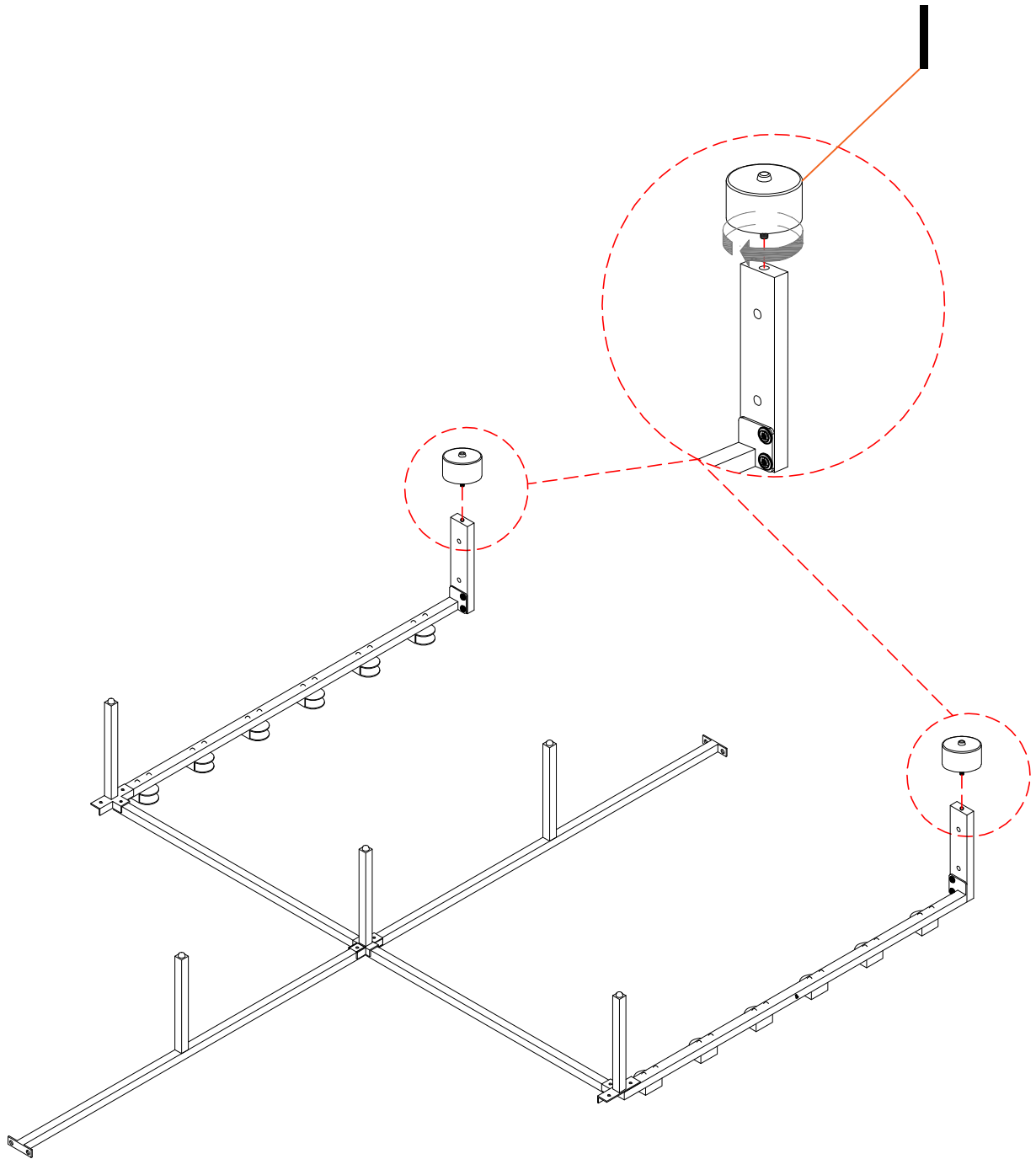
Insert M1,M2 tighten the screws 100%.



3	x4	4	x4	5	x4	10
						
ø5\16x3/4"		ø5\16x13mm		ø5\16xø19x1.5mm		

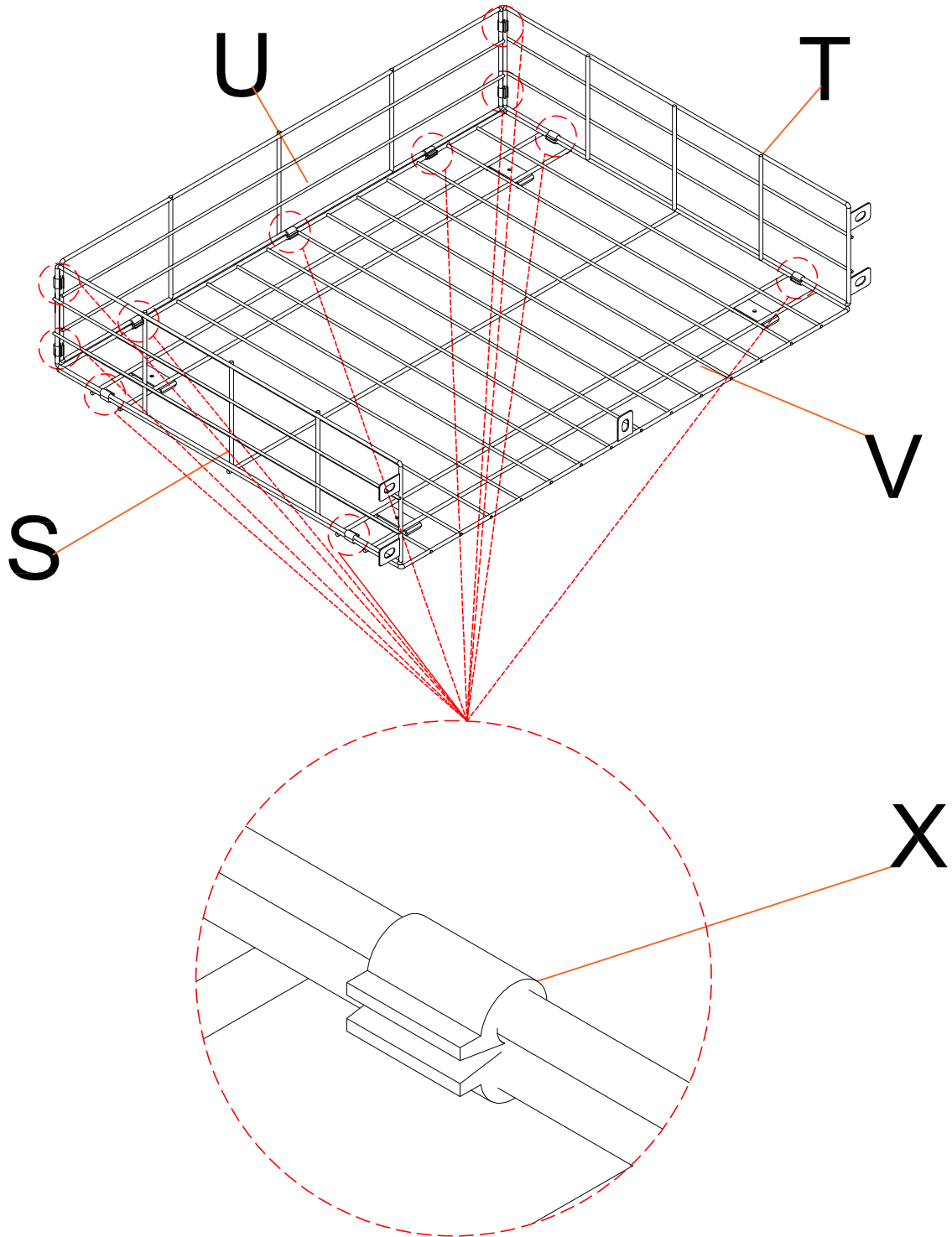
Step 6

Insert I fully assembly 100%.



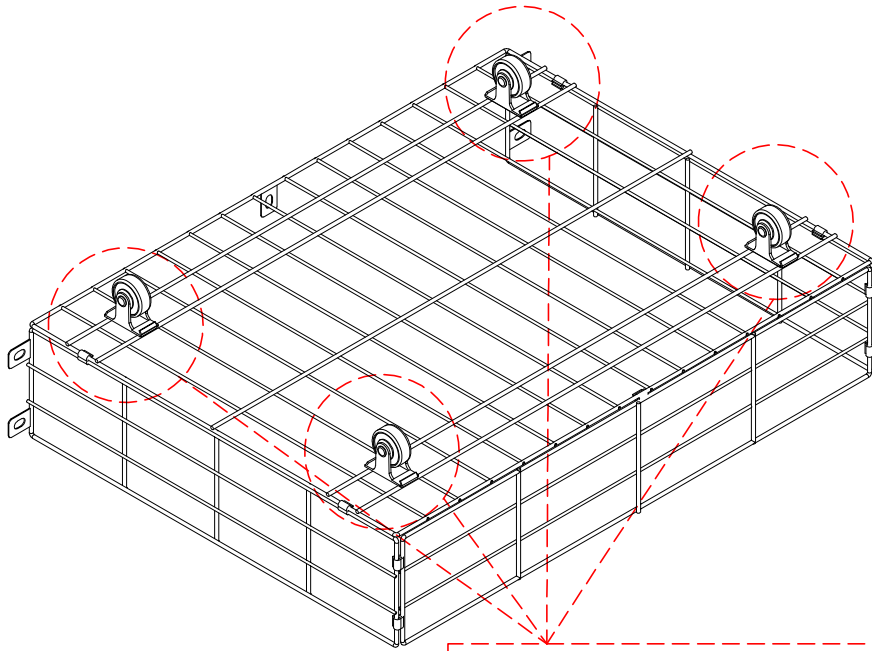
Step 7

Insert S,T,U,V and connect them by X

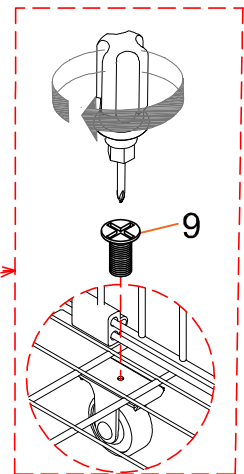
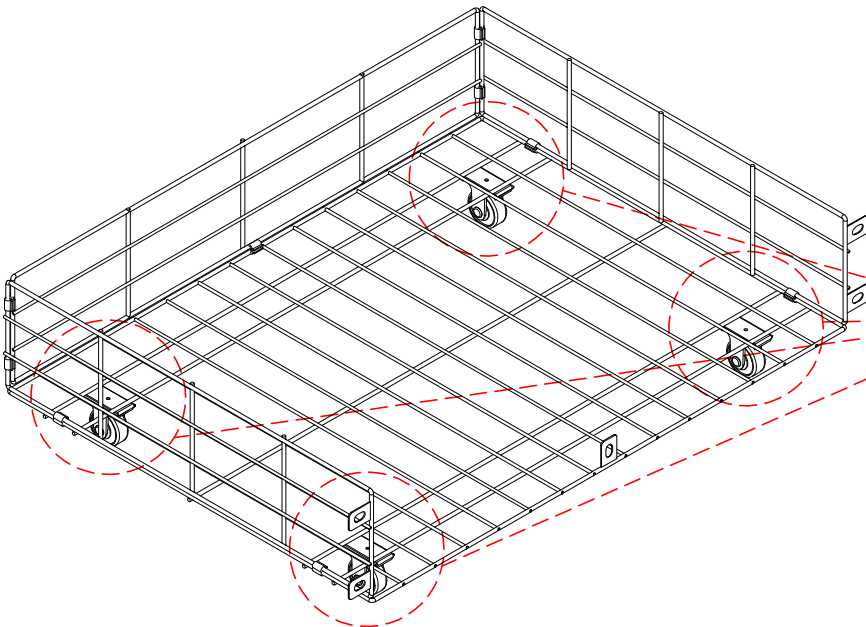
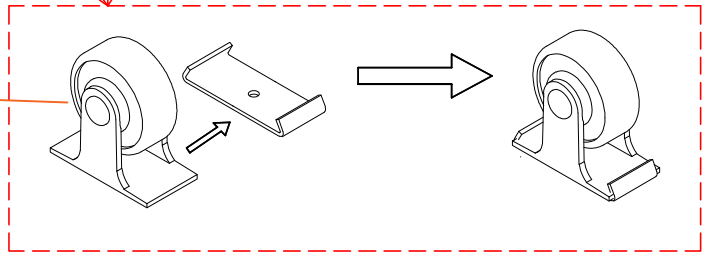


# Step 8

Insert W bottom drawer tighten the screws 100%



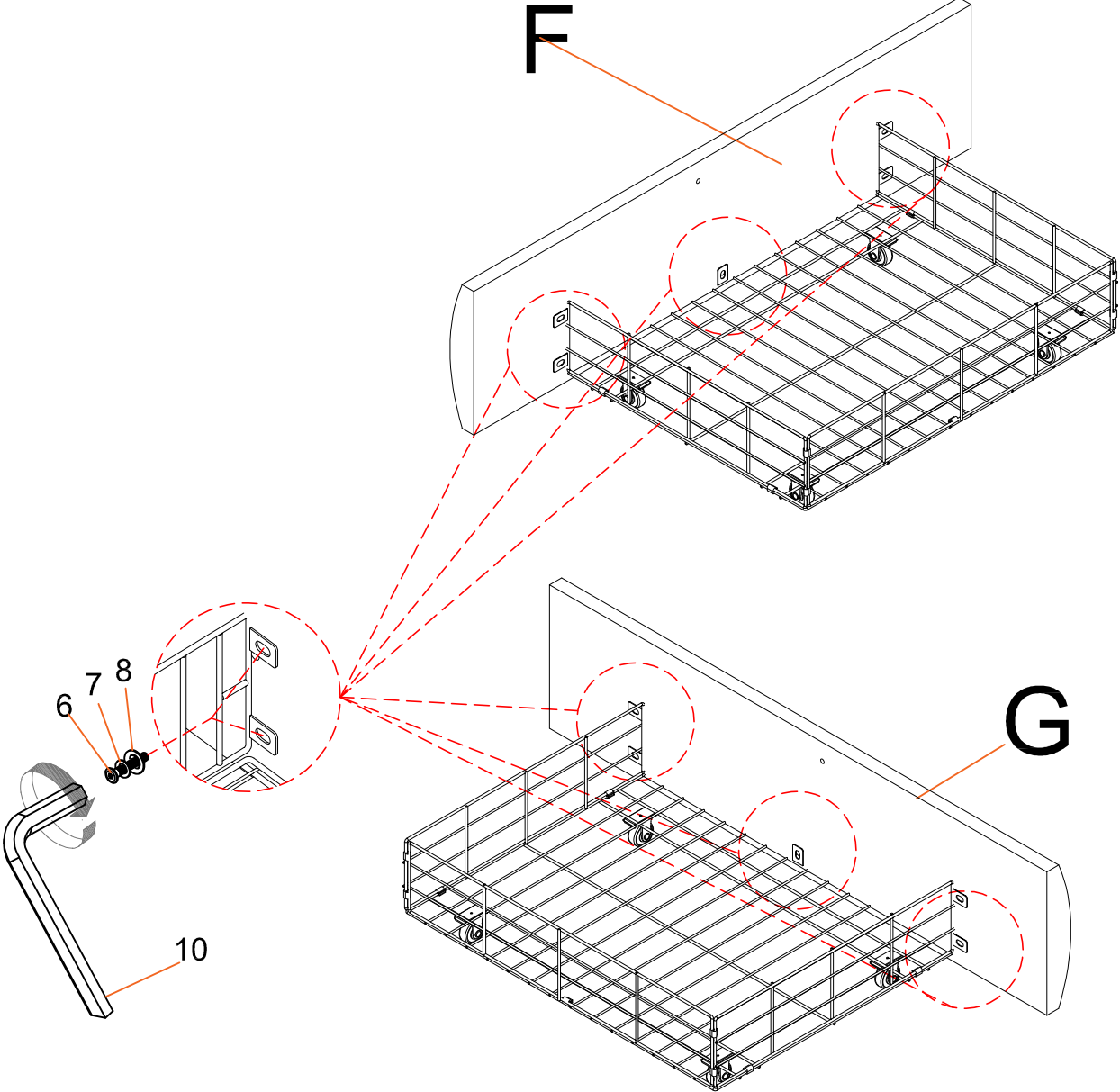
W

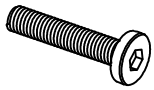

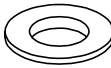
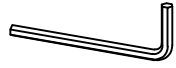


9	x8
ø 5/32x1/4"	

# Step 9

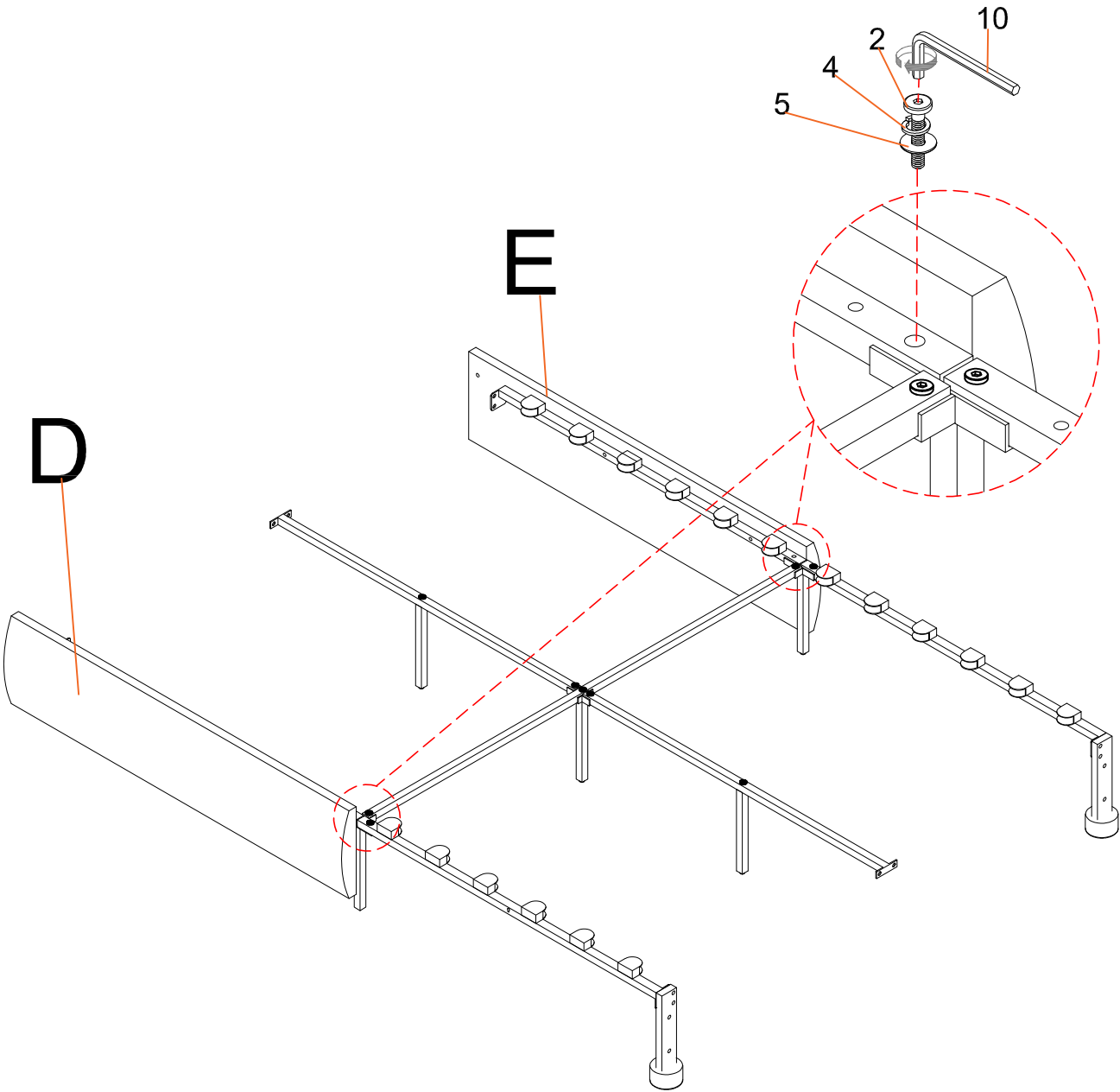
Insert F,G and drawer just tighten the screws 50% until complete step 9 tighten the screws 100%.

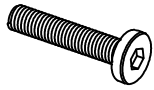

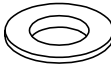



6	x10	7	x10	8	x10	10
						
Ø 1¼x3/4"		Ø 1¼x10.5mm		Ø 1¼xØ 16x1.5mm		

# Step 10

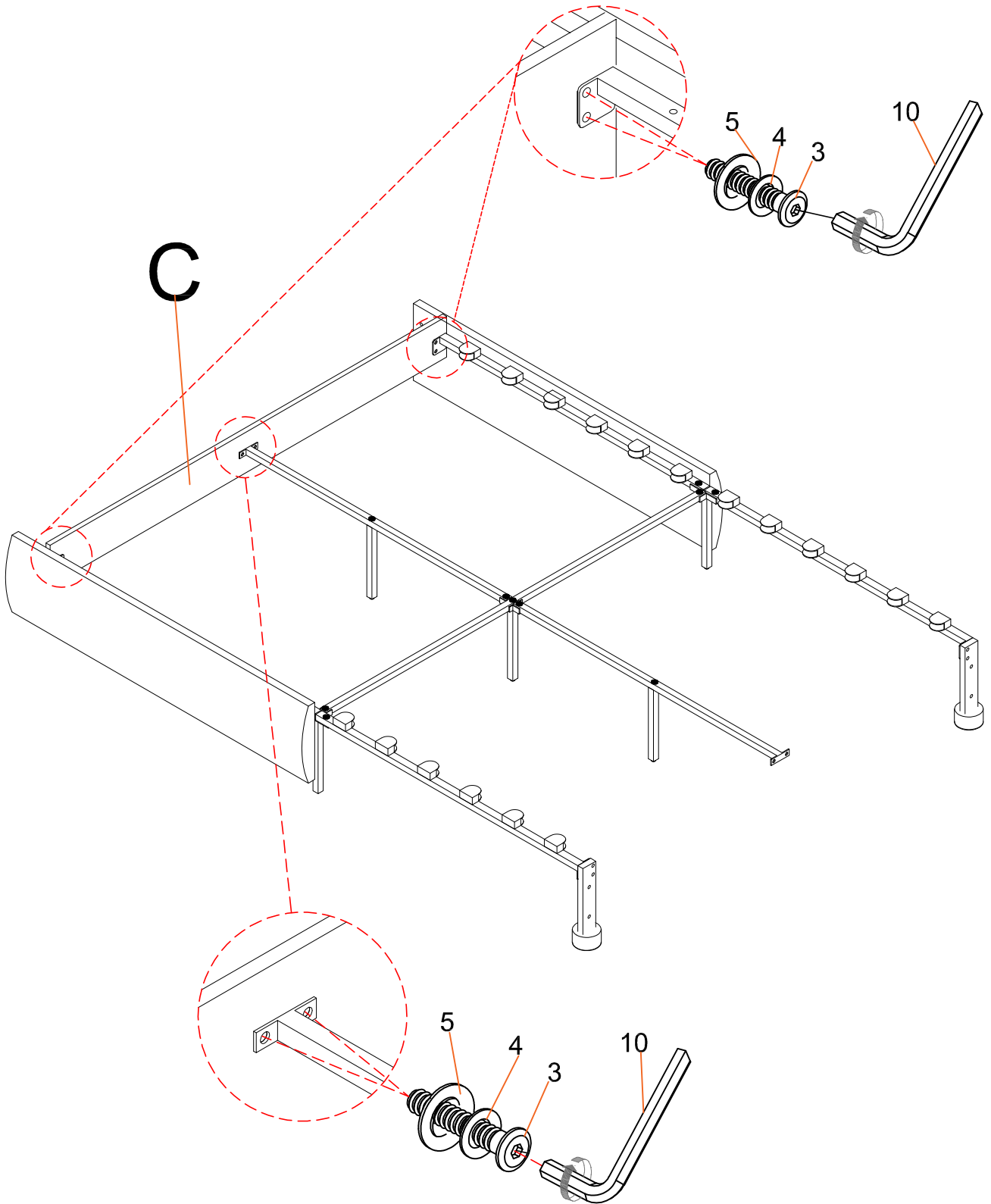
Insert D,E and mental frame tighten the screws 100%.

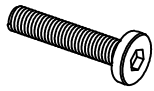

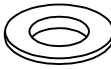
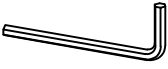


2	x2	4	x2	5	x2	10
						
ø5\16x1-1/2"		ø5\16x13mm		ø5\16xø 19x1.5mm		

# Step 11

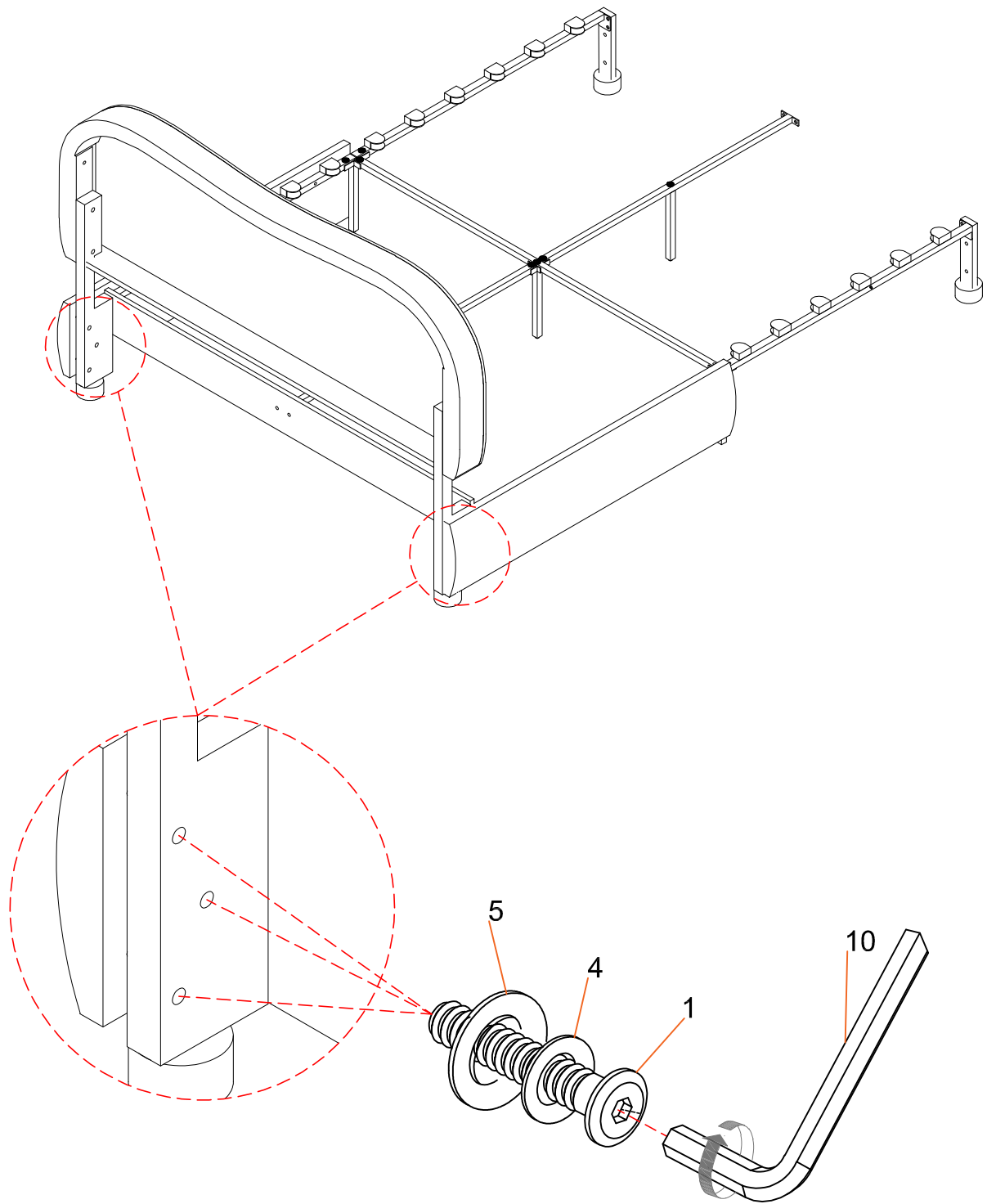
Insert C and mental frame just tighten the screws 50% until complete step 11 tighten the screws 100%.

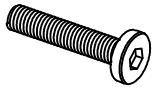

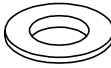



3	x6	4	x6	5	x6	10
						
ø5\16x3/4"		ø5\16x13mm		ø5\16xø19x1.5mm		

# Step 12

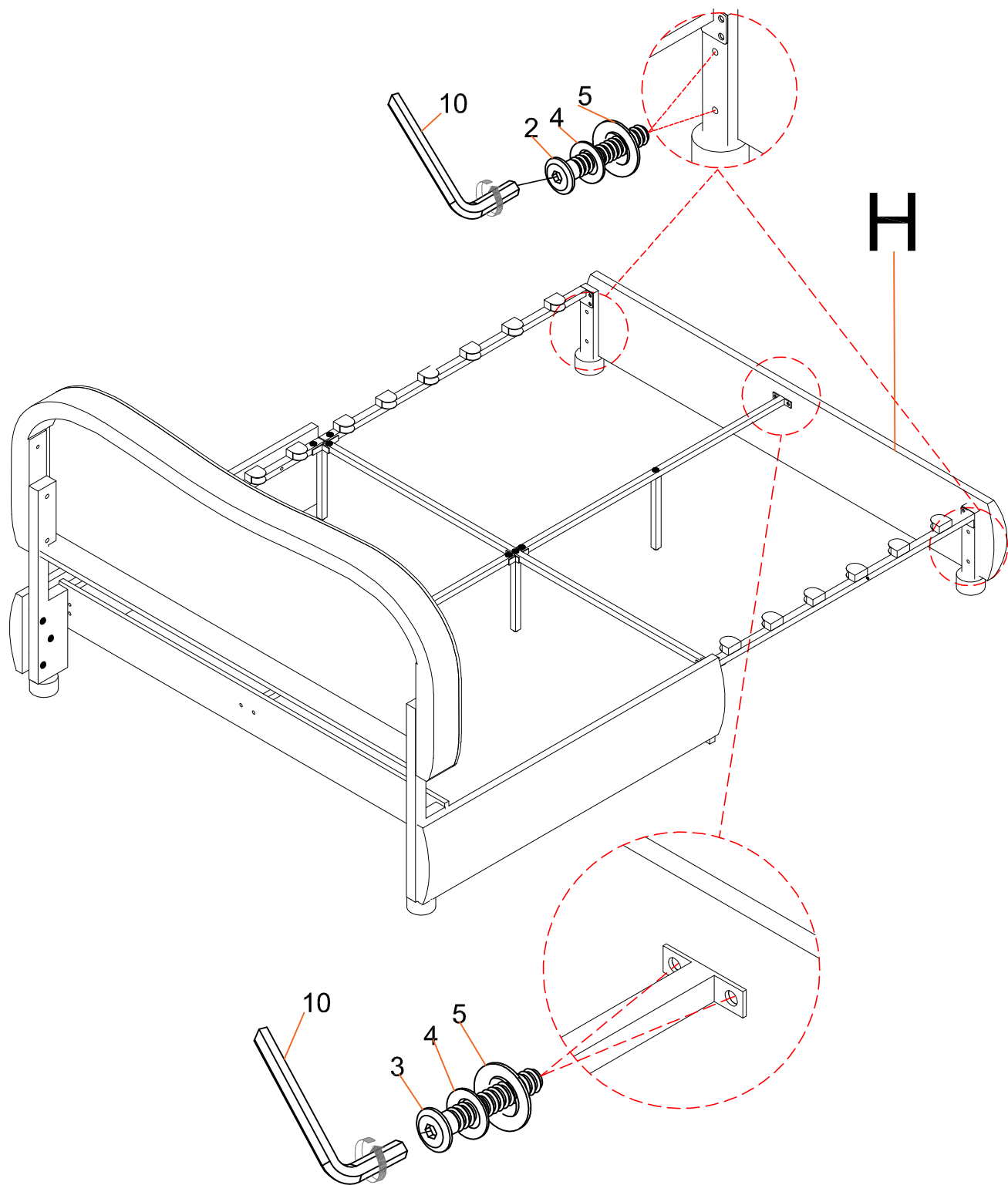
Just tighten the screws 50% until complete step 12  
tighten the screws 100%.

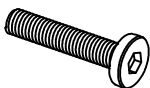
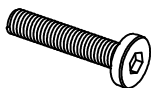
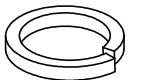

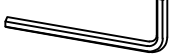


1	x6	4	x6	5	x6	10
						
ø5\16x2-1/4"		ø5\16x13mm		ø5\16xø19x1.5mm		

# Step 13

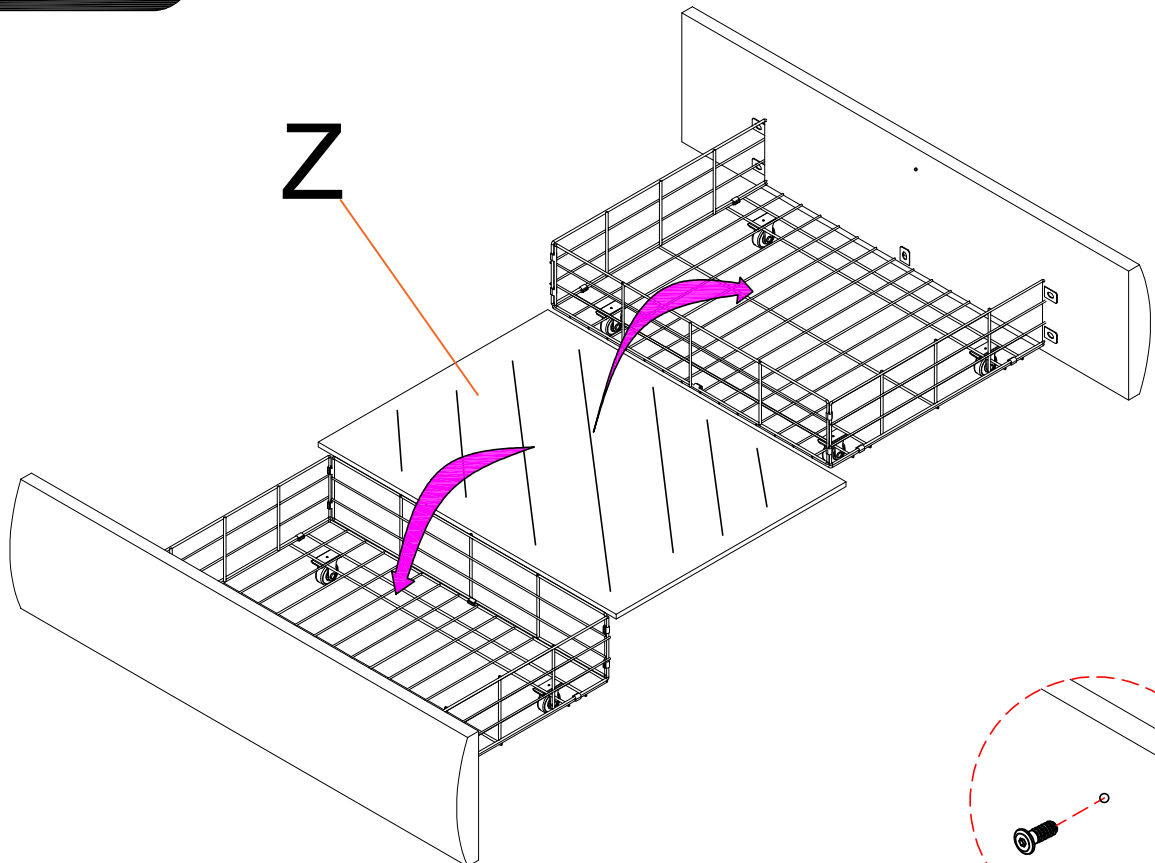
Insert H just tighten the screws 50% until complete step 13 tighten the screw 100%.



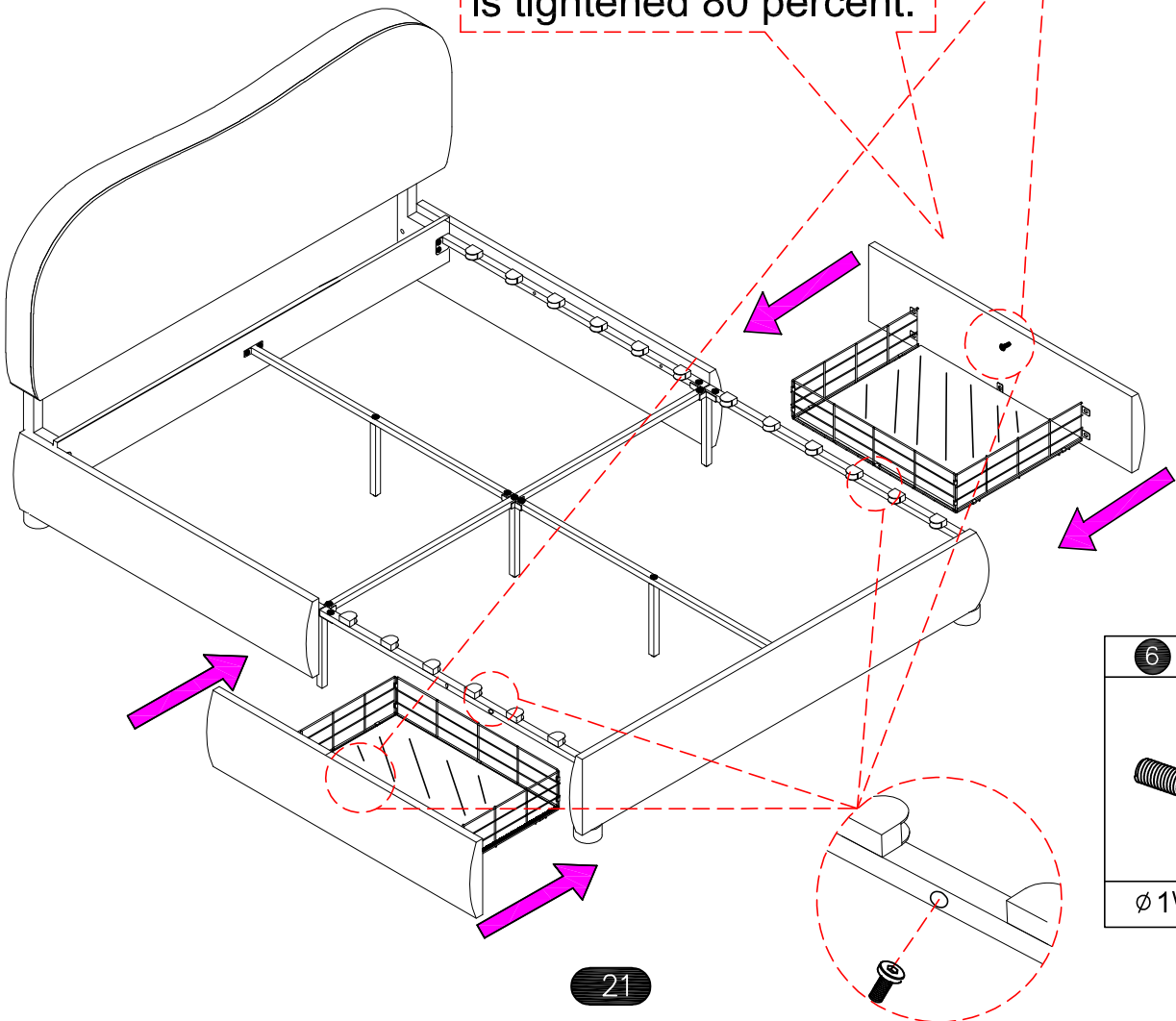
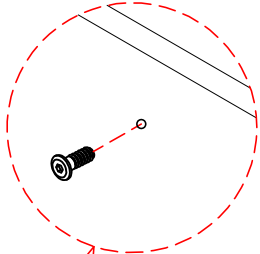
2	x4	3	x2	4	x6	5	x6	10
								
ø5\16x1-1/2"		ø5\16x3/4"		ø5\16x13mm		ø5\16xø19x1.5mm		

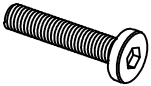
# Step 14

Insert Z and drawer



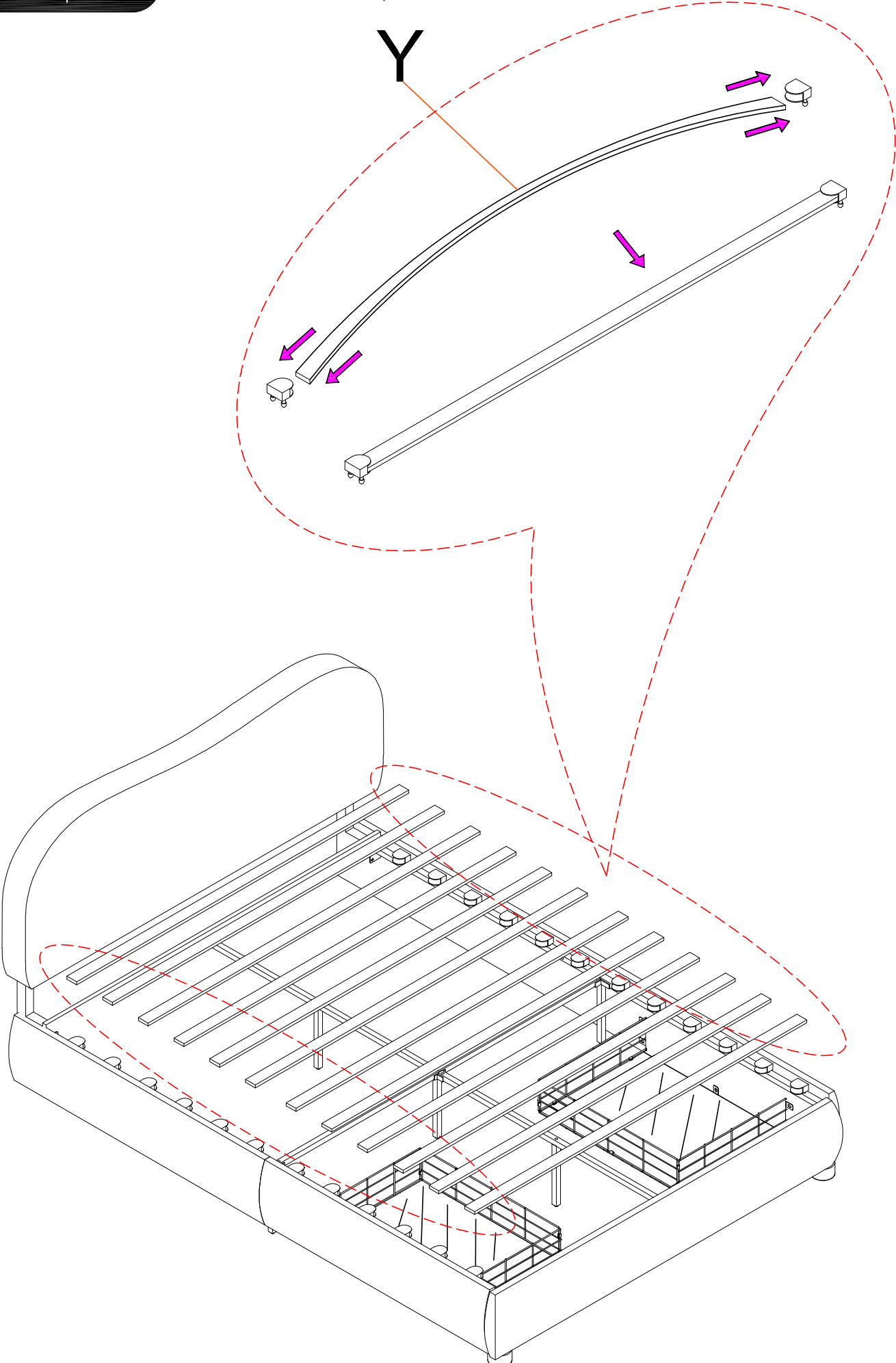
This bolt used to reinforce the bed frame is tightened 80 percent.



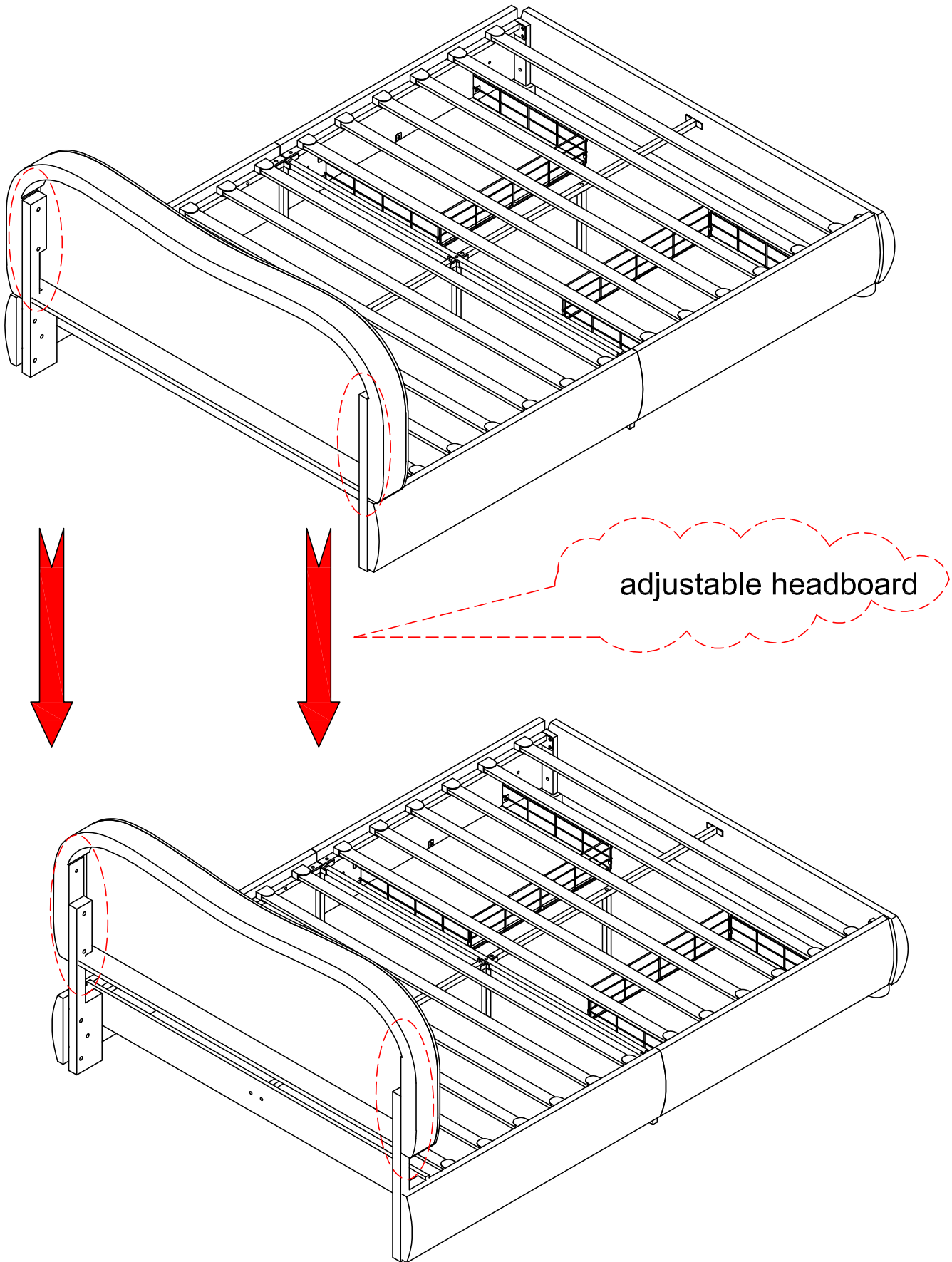
6	x2
	
ø 1/4x3/4"	

Step 15

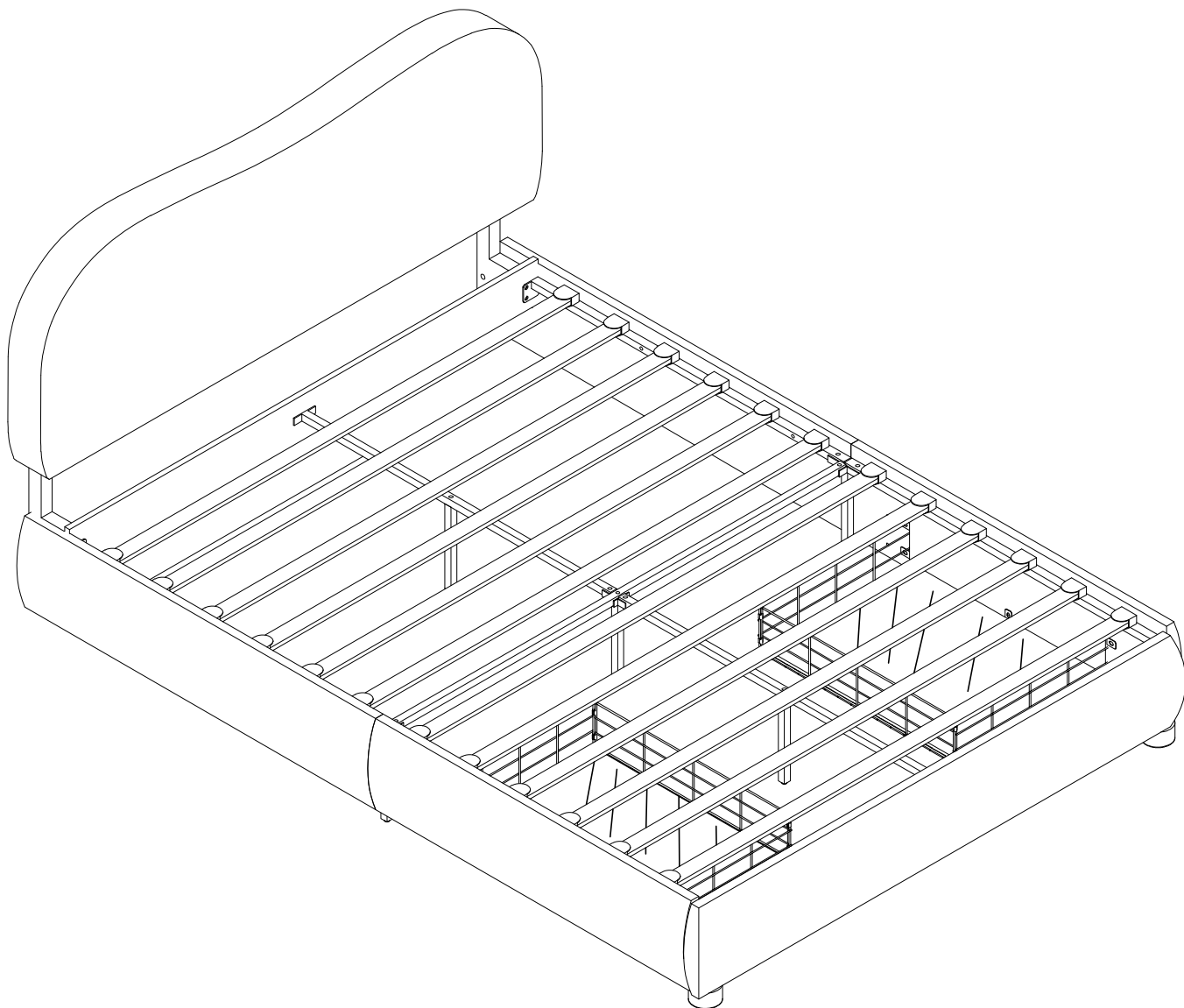
Insert Y and plastic connect



Step 16



Step 17



Assembly completed.

# WARRANTY

- We strive to offer quality products, and we also try our best to satisfy every customer who orders from us with products or services as needed.
- Replacement parts can be purchased from our company if available.
- For returns, please check the return policy with the retailer or marketplace where you purchased the item.

We appreciate your purchase.  
Brighten your life with our furniture!