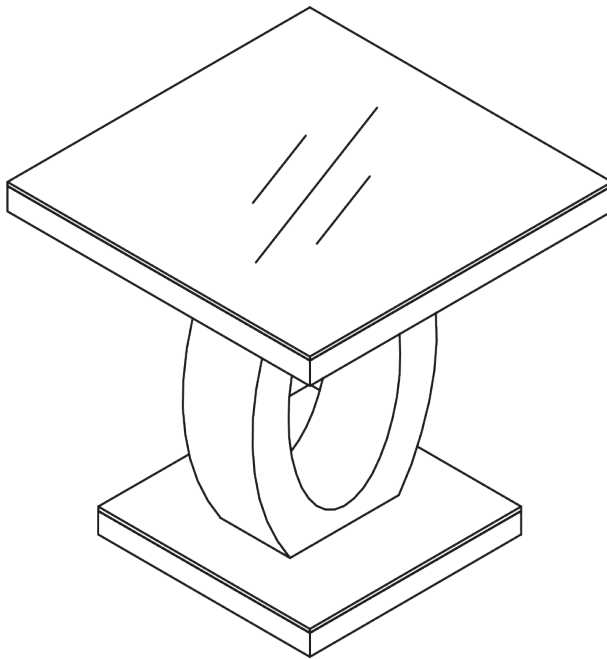


SIDE TABLE

ASSEMBLY GUIDE



Important - Please read these instructions fully before starting assembly



**SAFETY AND
CARE ADVICE**



NO POWER TOOLS

SAFETY AND CARE ADVICE

- Check you have all the components and tools listed.
- Remove all fittings from the plastic bags and separate them into their groups.
- We do not recommend the use of power drills/drivers for inserting screws, as this could damage the unit. Only use hand screwdrivers and Allen keys.
- Keep children and animals away from the work area, small parts could cause choking if swallowed.
- Make sure you have enough space to layout the parts before starting.
- Assemble the item as close to its final position (in the same room) as possible.
- Do not overtighten the nuts to avoid causing damage to the threads.
- Only clean using a damp cloth and mild detergent, do not use bleach or abrasive cleaners.
- From time to time check that there are no loose screws on this unit
- This product should not be discarded with household waste. Take to your local authority waste disposal centre

IMPORTANT INFORMATION



45 MINUTE
BUILD








TWO
PERSON



MAXIMUM
CAPACITY 100Kg

PLEASE CHECK CAREFULLY AND MAKE SURE YOU HAVE ALL FITTINGS AND TOOLS LISTED BELOW BEFORE YOU START.

A  X08	B  X12	C  X04	D  X01	E  X04
---	---	---	---	--

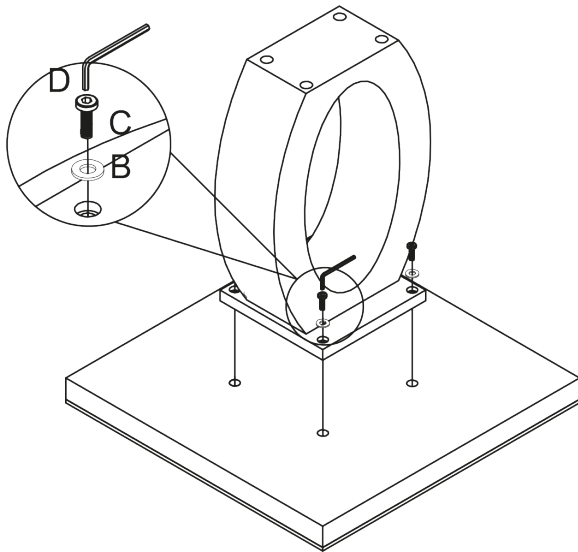
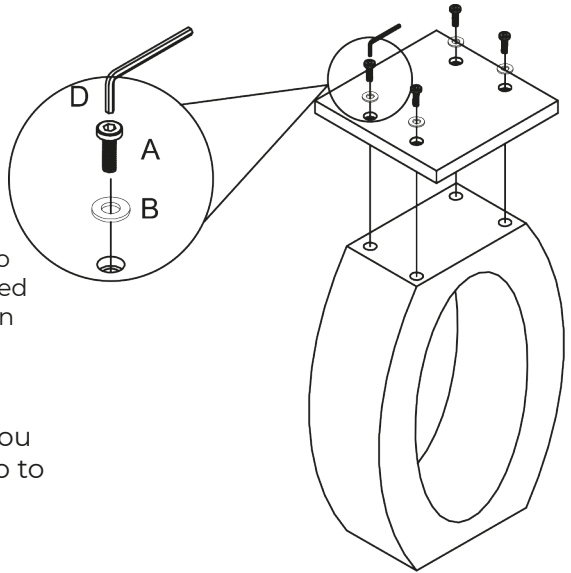
NOTE: The quantities above are the correct amount to complete the assembly. In some cases more fittings may be supplied than are required.

STEP 1

Use a clear, flat, soft surface to avoid bumps or scratches.

First, attach connecting plate to halo using 1 x washer [B] followed by 1 x screw [A] per hole. Tighten with Allen key [D].

ATTENTION: To ensure table stability, please make sure you have fully tightened the halo to the connecting plate.



STEP 2

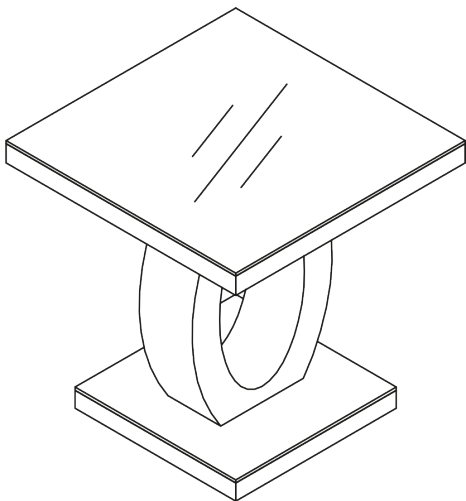
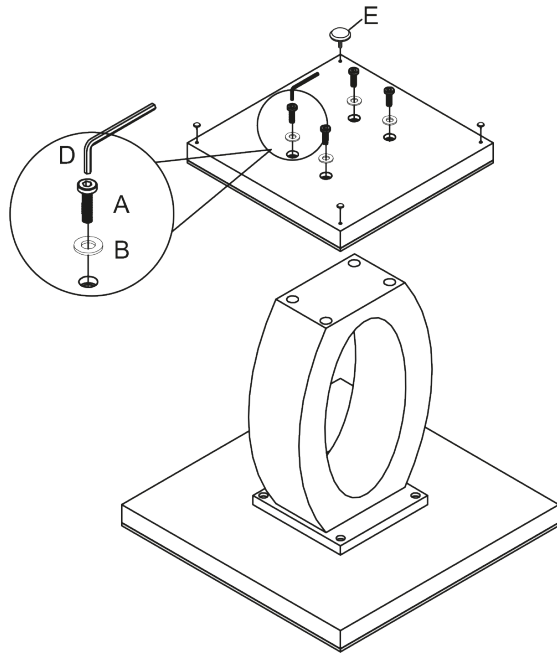
Place table top on flat surface, upside down so holes face upwards.

Align connecting plate with holes in table top and attach using 1 x washer [B] followed by 1 x screw [C] per hole. Tighten with Allen key [D].

FULL ASSEMBLY INSTRUCTIONS

STEP 3

Attach side table base to halo using 1 x washer [B] followed by 1 x screw [A] per hole. Tighten with Allen key [D] Attach feet [E] to corners.



STEP 4

Carefully, and with help, turn your side table over so it rests on its base. Check for stability. Your console table is now ready to use.