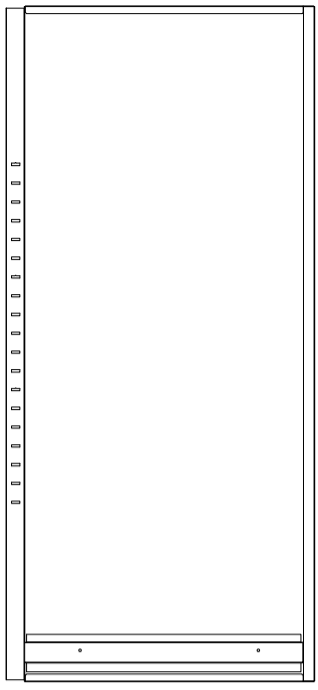


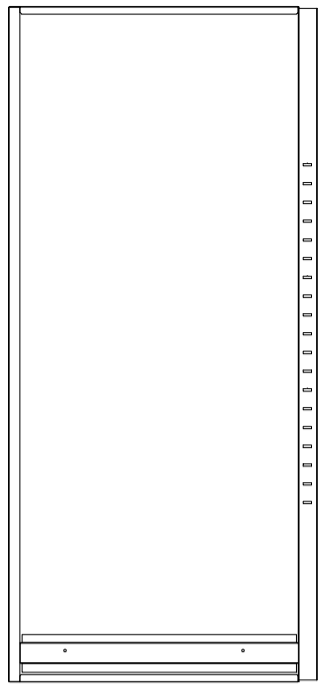
**NOTE: PLEASE AN ASSISTANT IS REQUIRED
ES NECESARIO UN AYUDANTE UN ASSISTANT
ES TNECESSAIRE.**



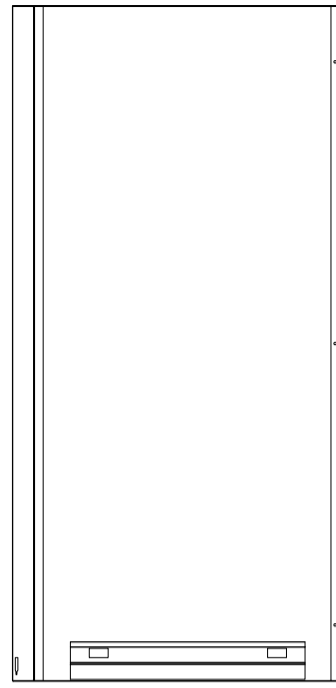
**Please scan the QR code to
check the installation video**



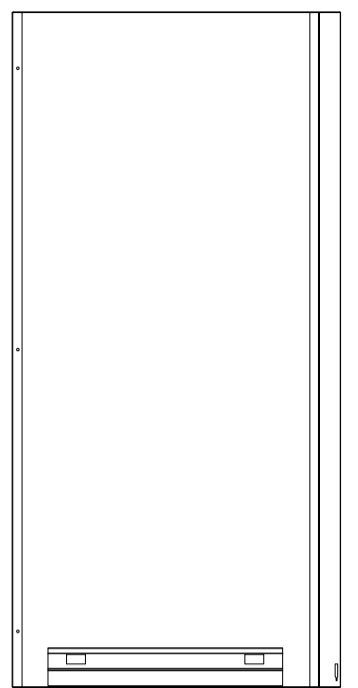
A: Left back panel



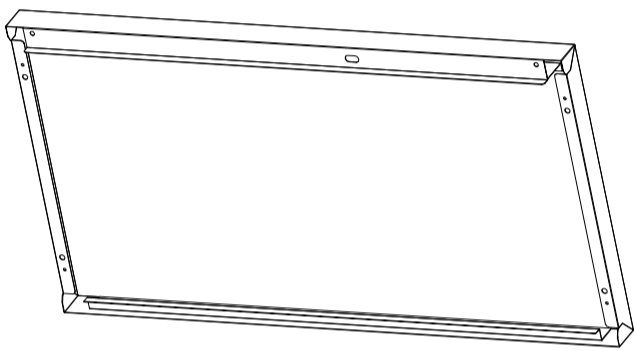
B: Right back panel



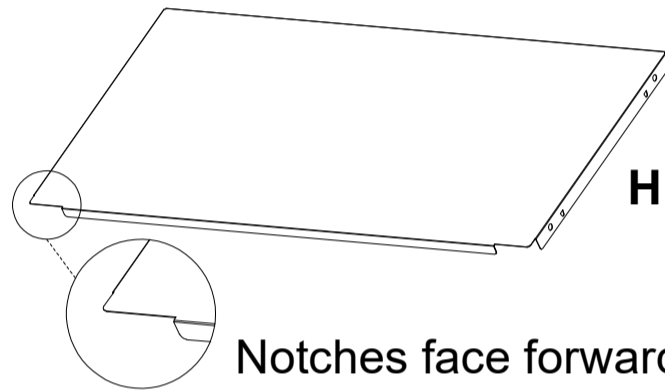
C: Left side panel



D: Right side panel

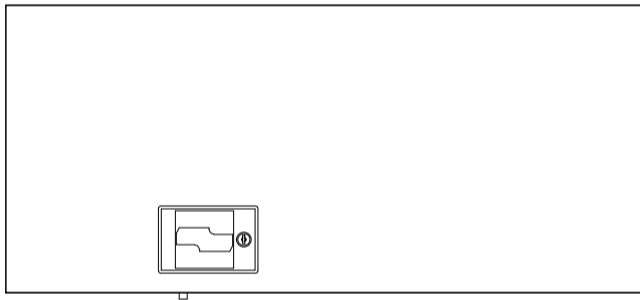


E: Top panel

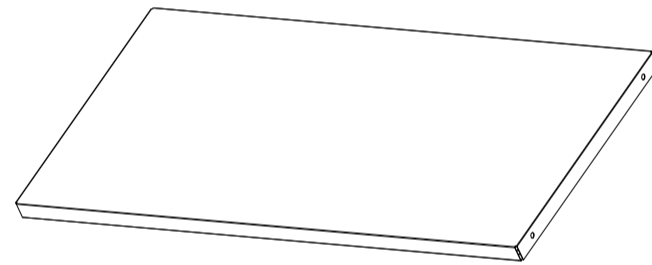


H: Bottom panel

Notches face forward when installed



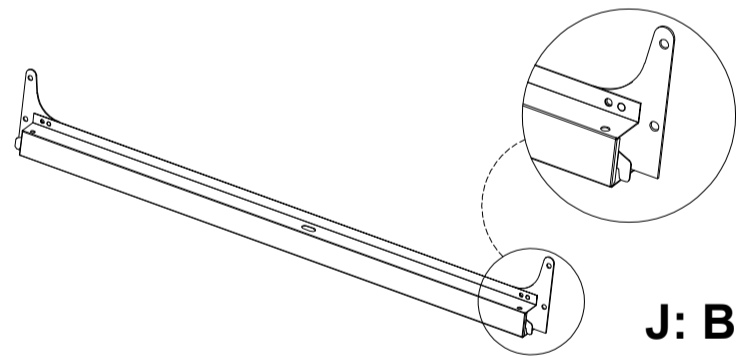
F: Right door



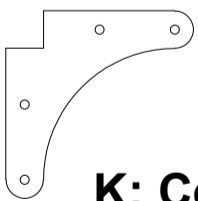
I: Shelving



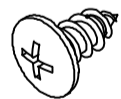
G: Left door



J: Bottom rail



K: Connecting plate *2



5mm × 10mm

L: Self-tapping screw *45

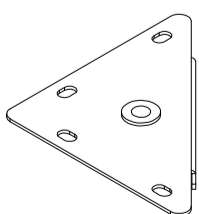


M: Shock pad *4

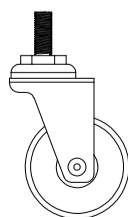


0.8mm × 9.5mm

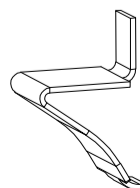
Q: Door-hinge pad 2 pcs



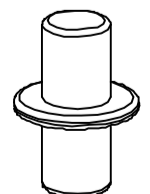
N: Triangle connecting plate *4



O: Wheel *4

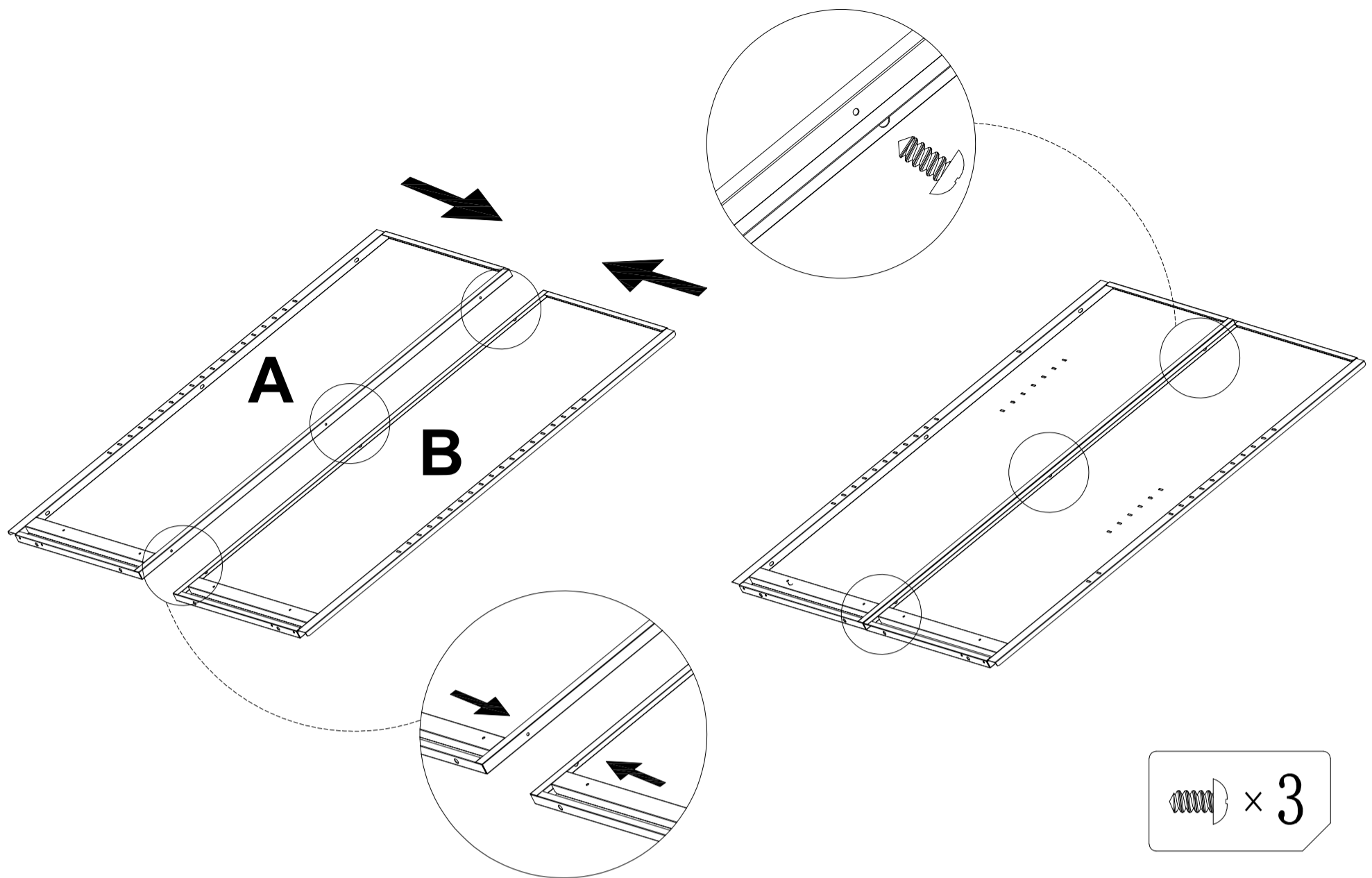


P: Shelving bracket *4

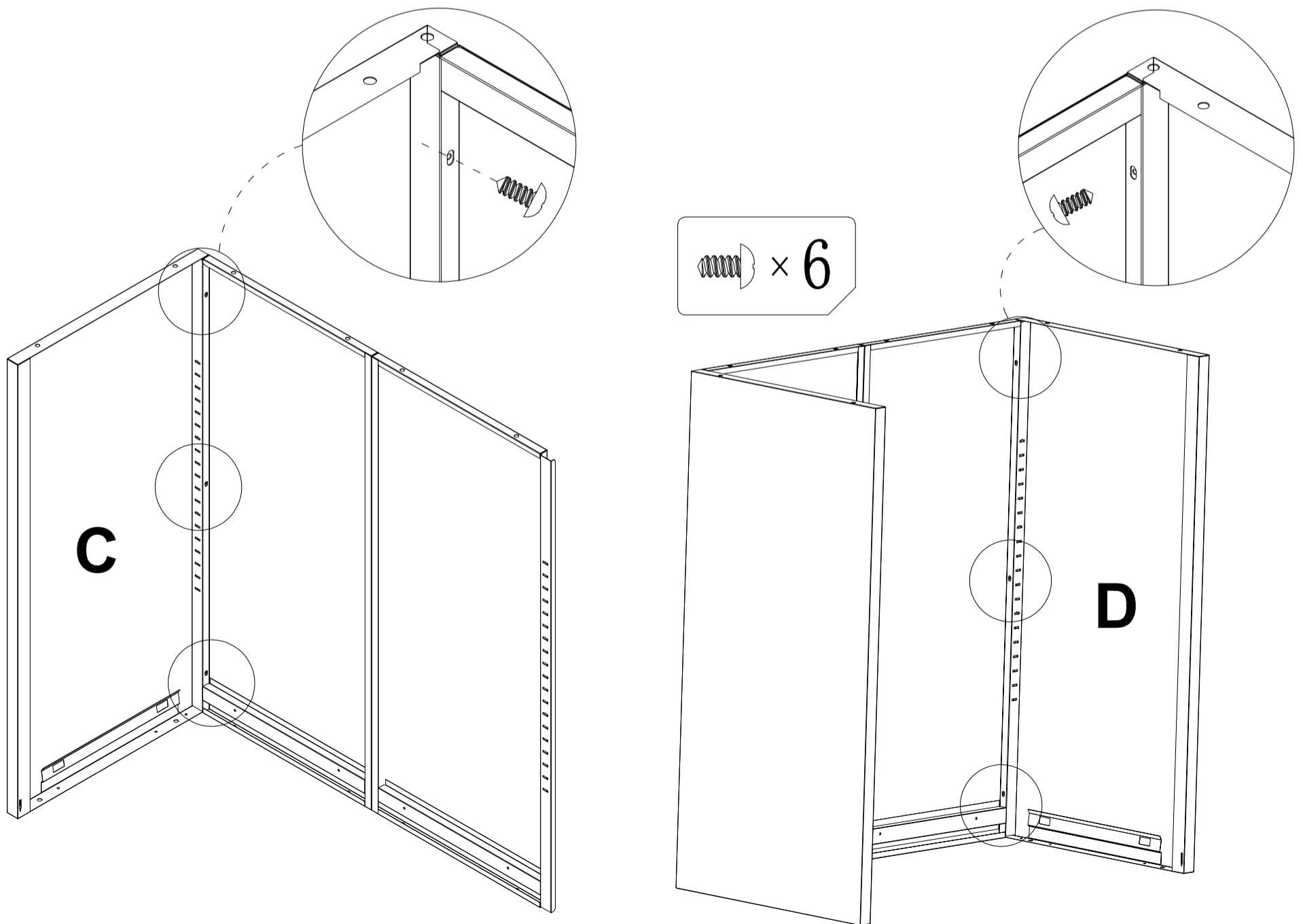


5mm × 24.5mm

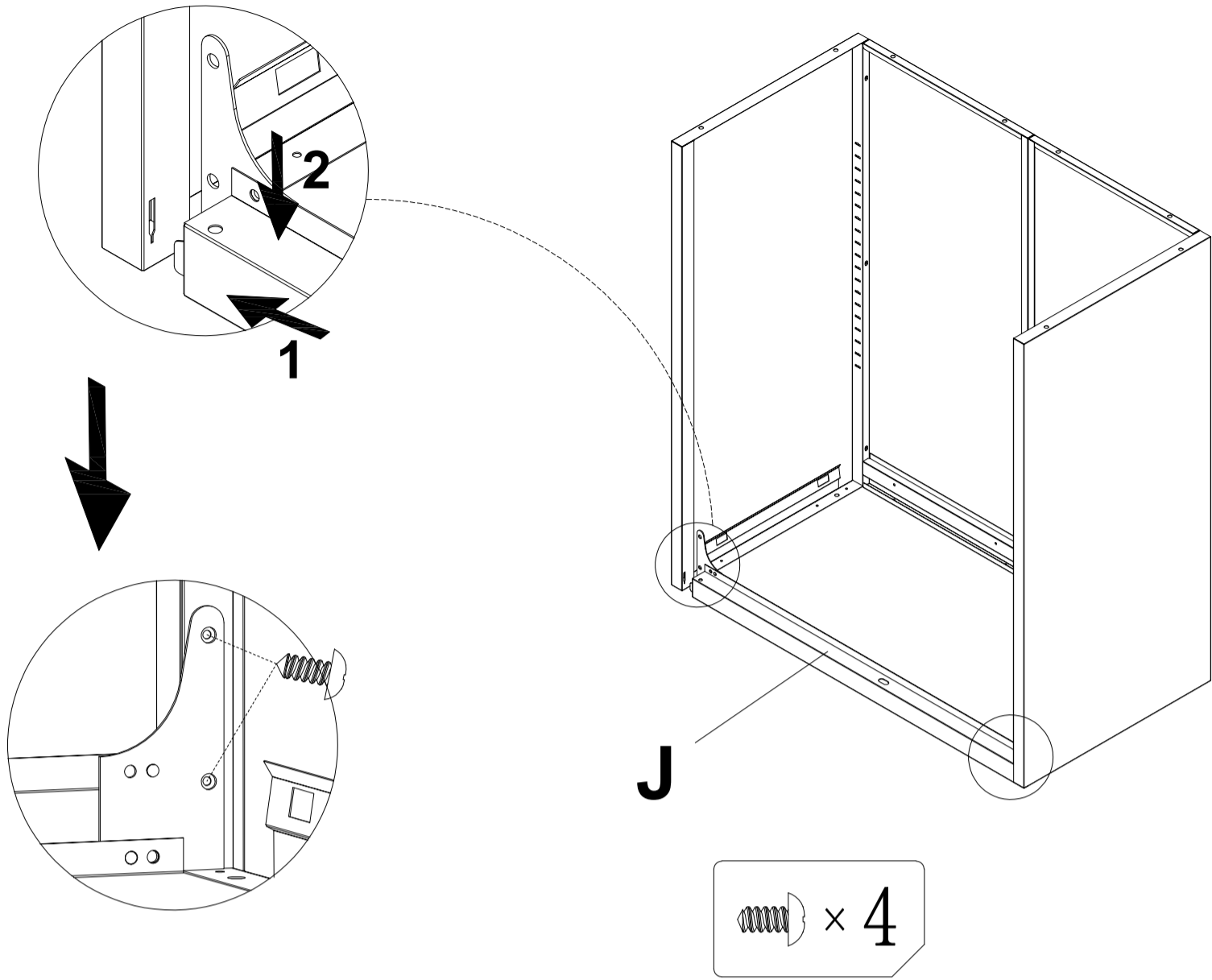
Q: Door-hinge 2 pcs



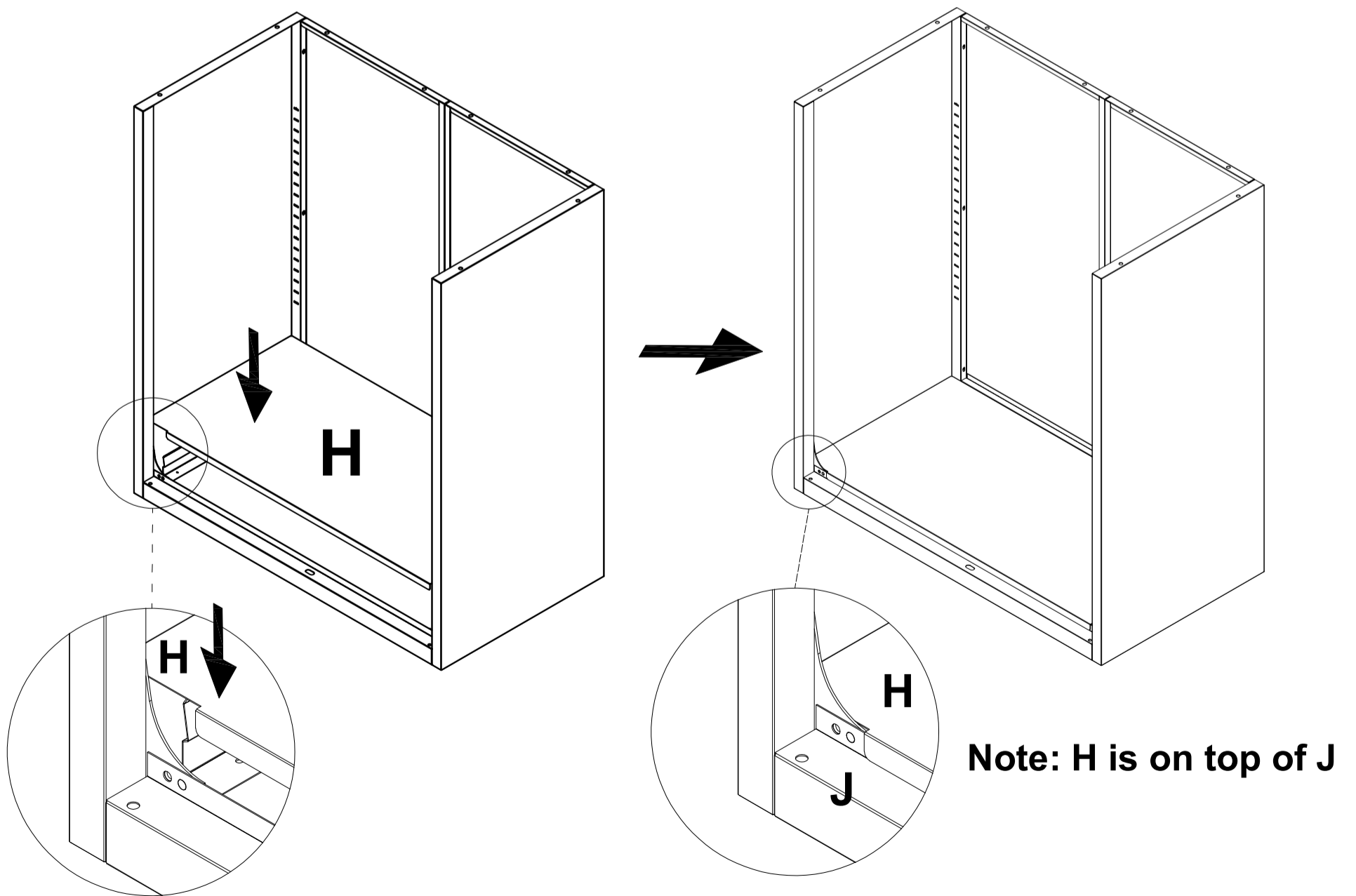
1. Assemble A and B, secure with screw L



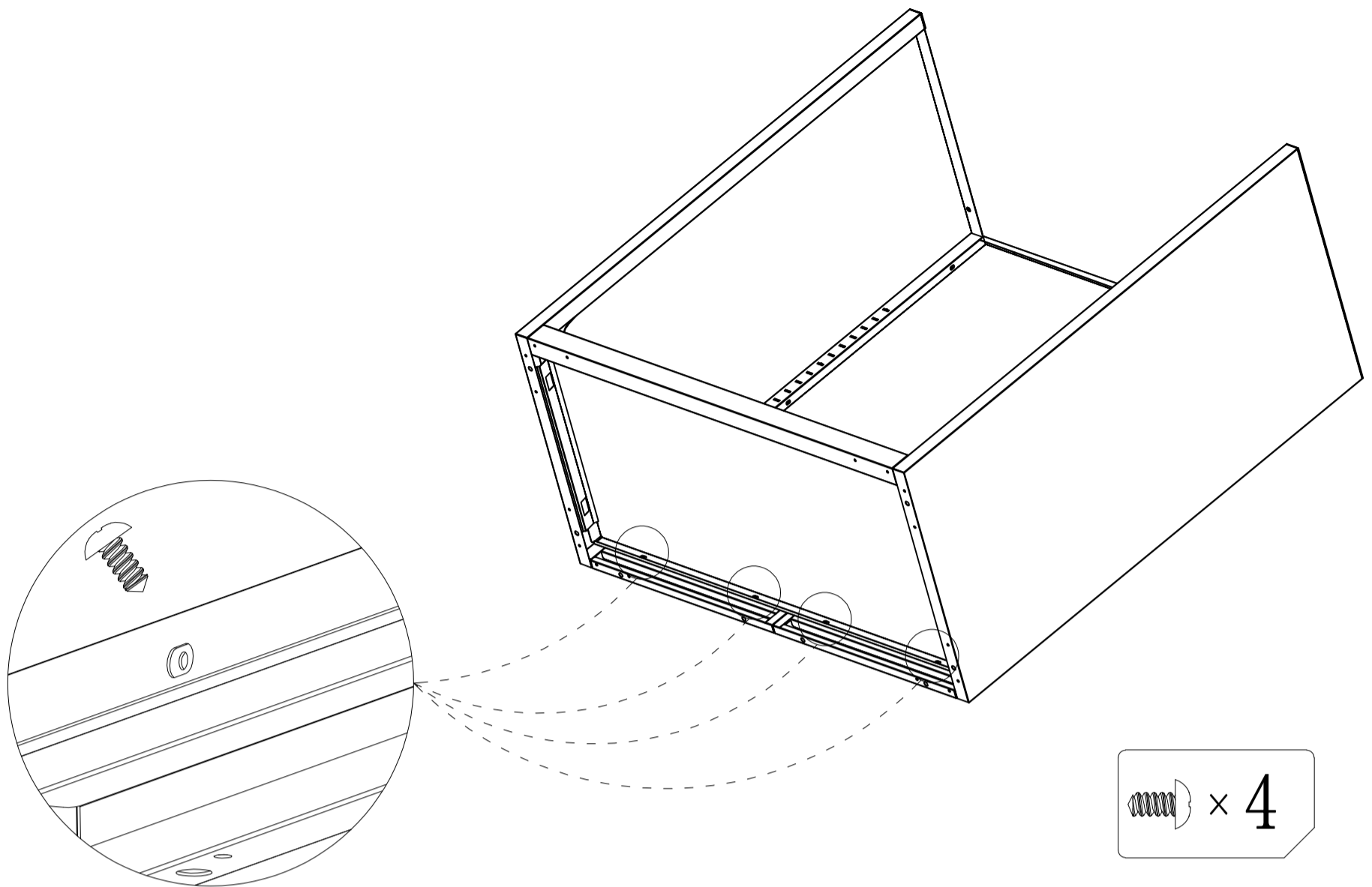
2. Install C and D.



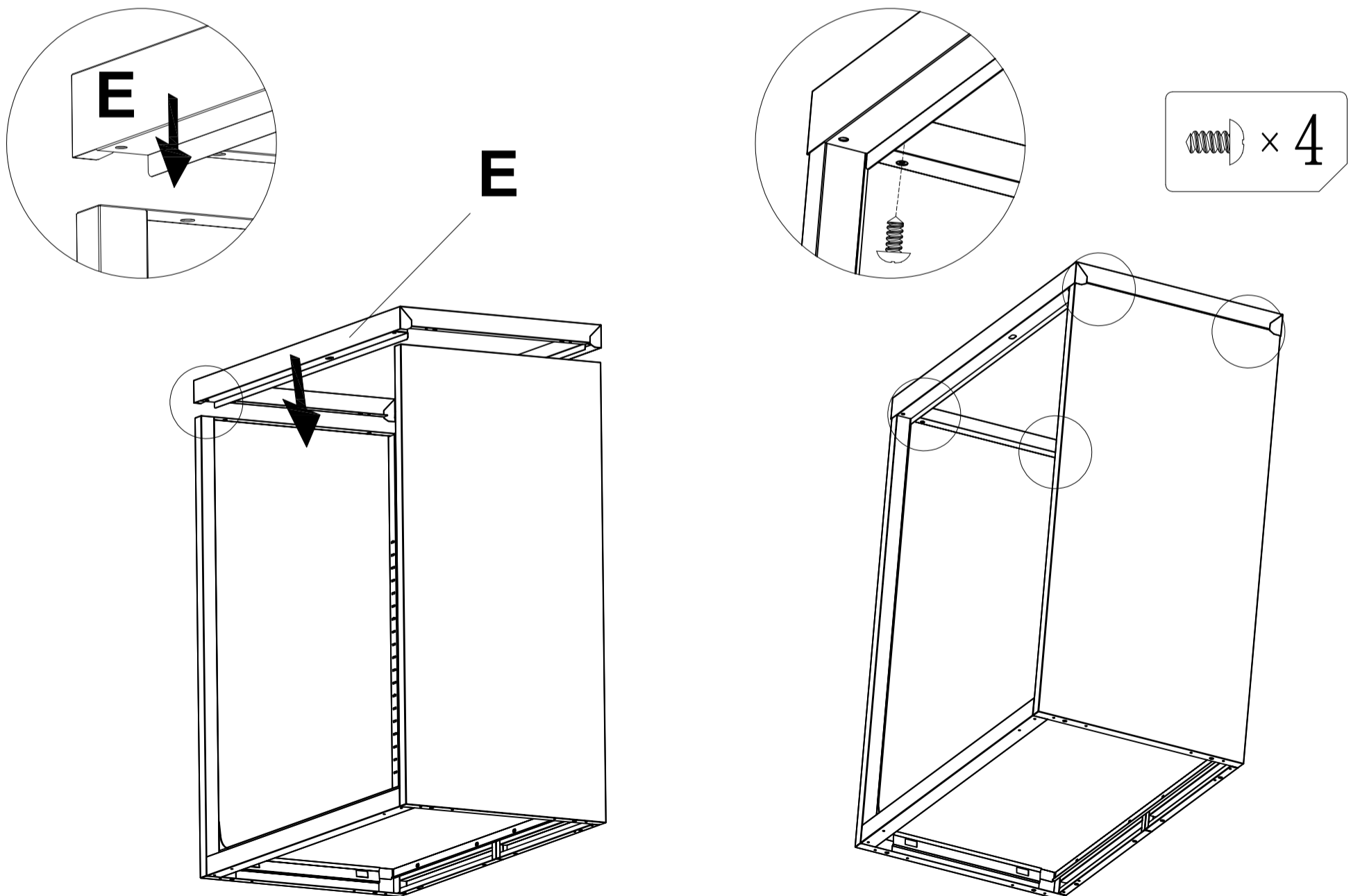
3. Install C, secure with screw L



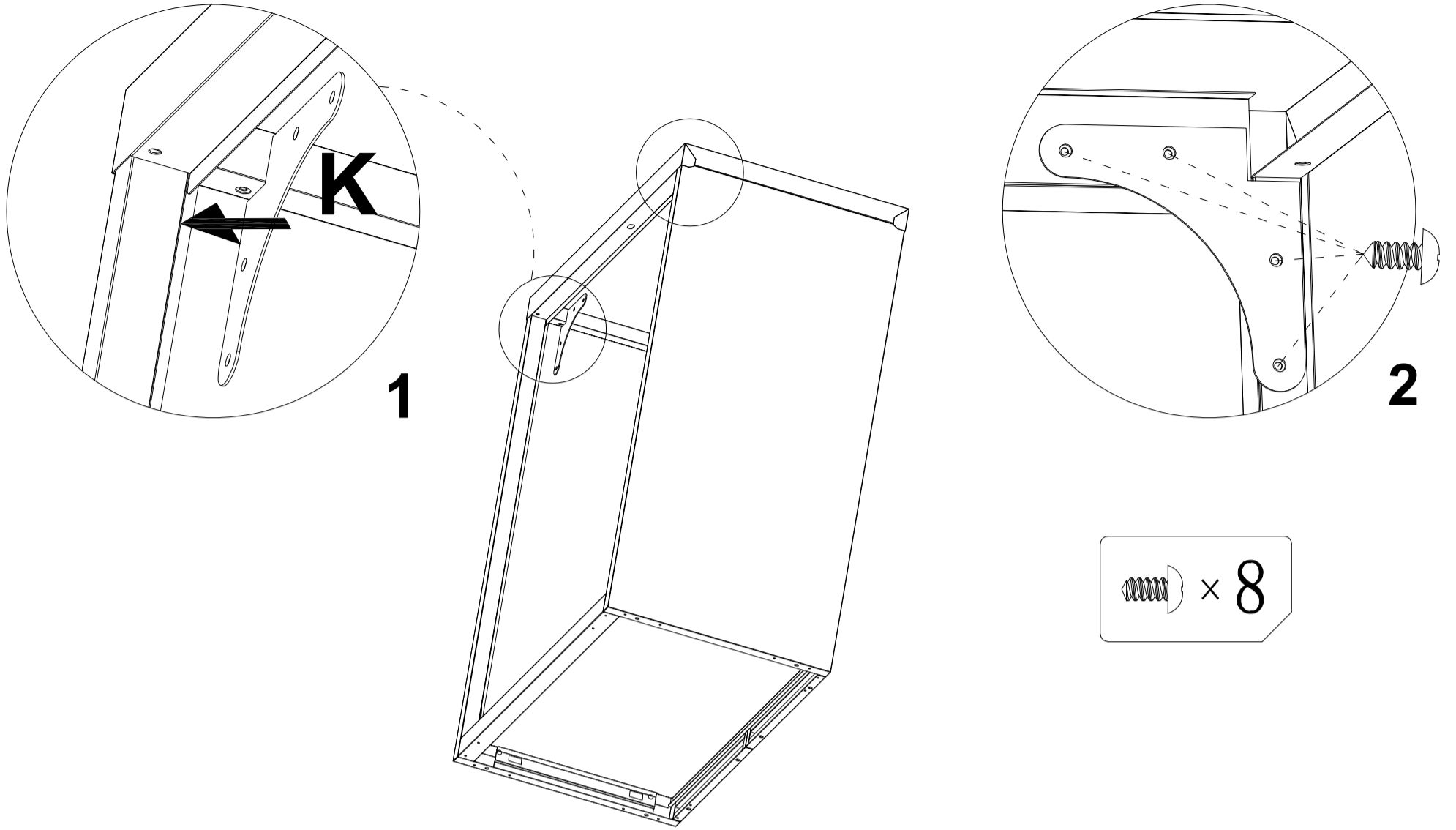
4. Install H. The notched side on the H faces forward.



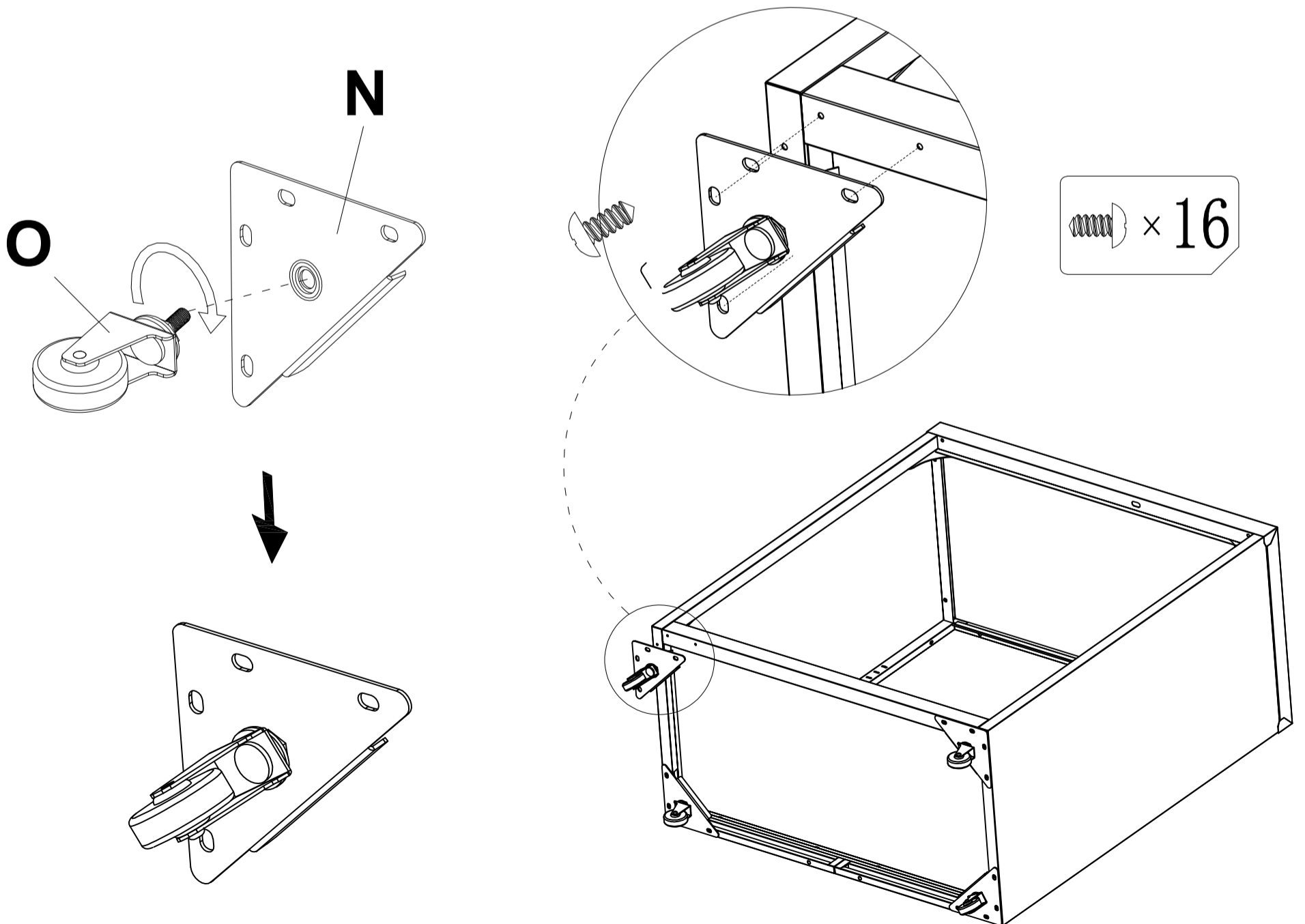
5. Secure with screw L



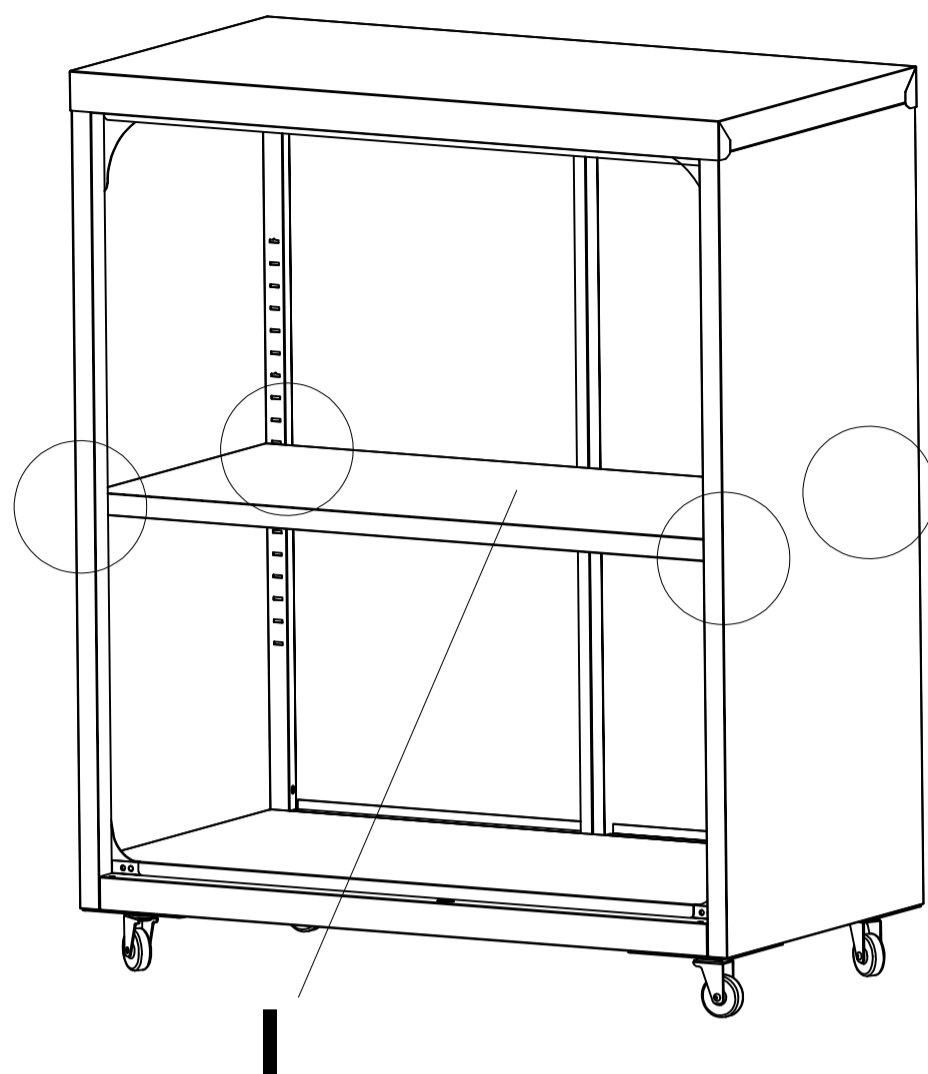
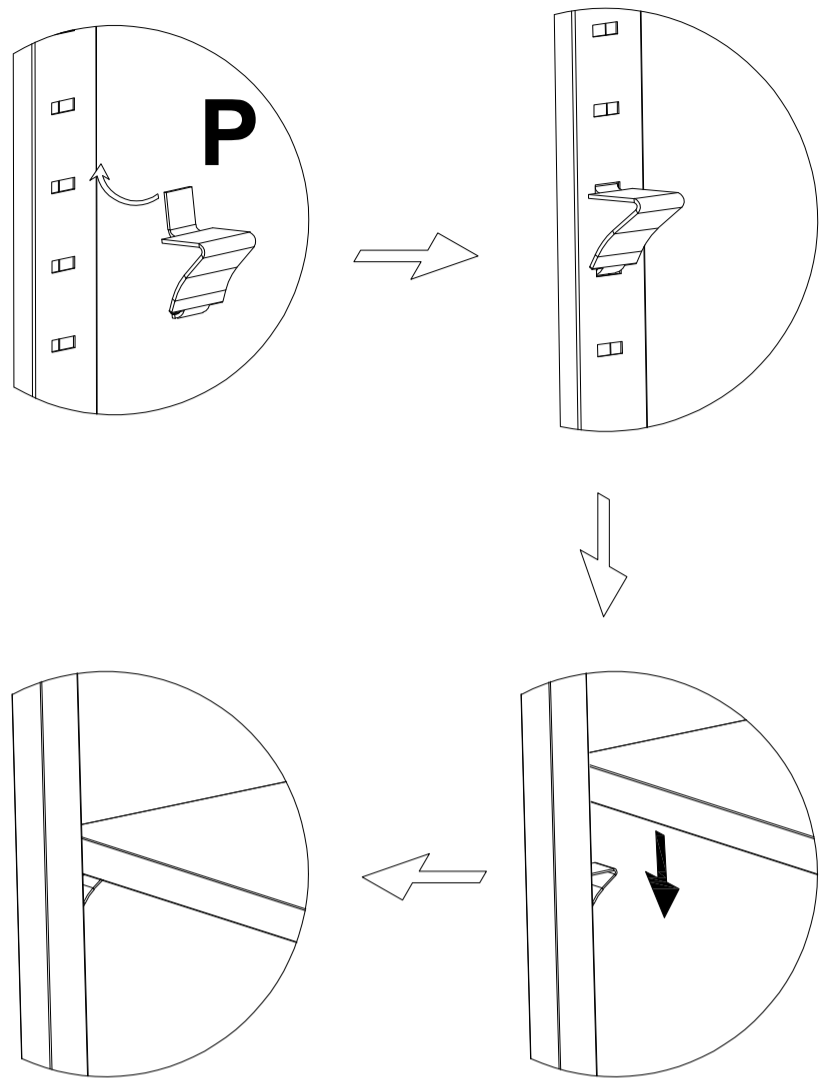
6. Install E, secure with screw L



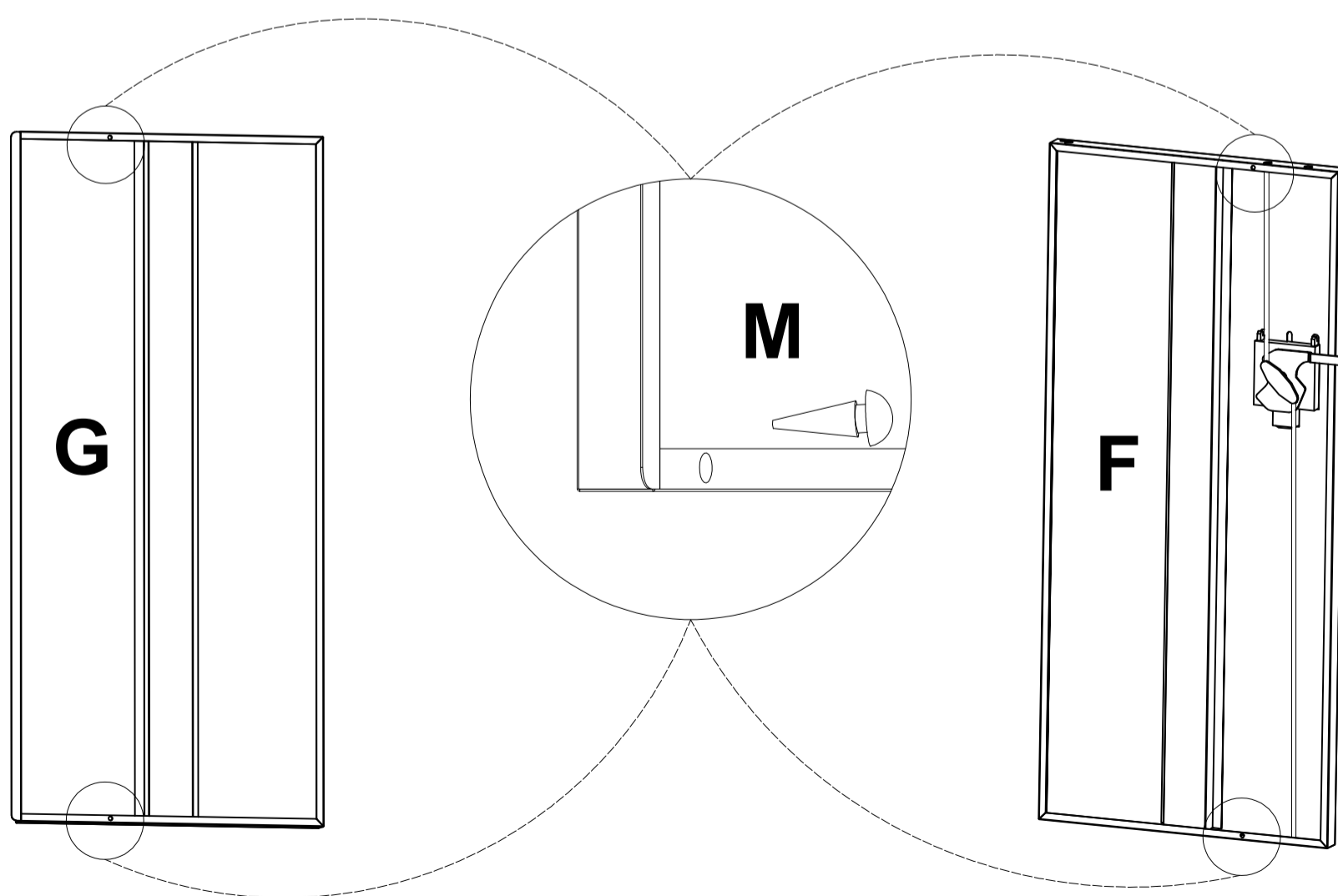
7. Connect E, C and D with K, secure with screw L



8. Install N, secure with screw L. Install O



9. Install P and I



10. Install M

