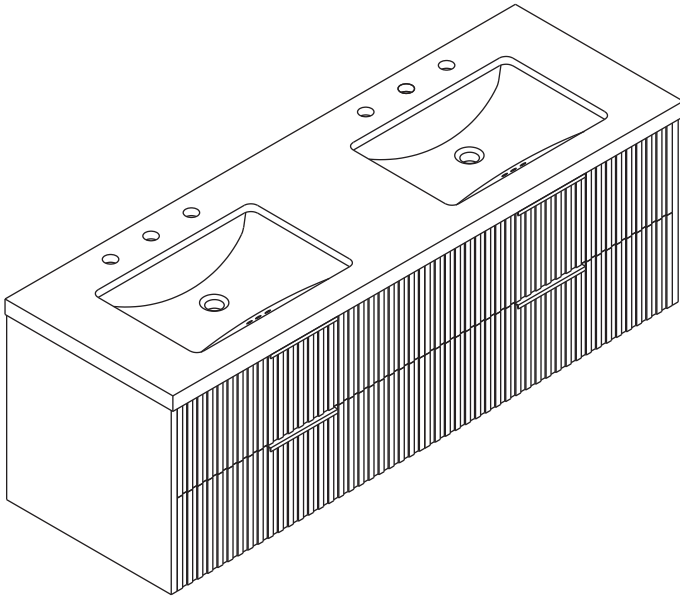


# ASSEMBLY INSTRUCTIONS

---



Bathroom Vanity

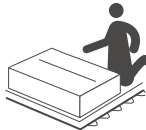
# ASSEMBLY INSTRUCTIONS

**Notice:**

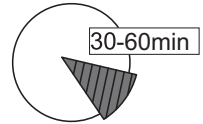
1. Follow the installation instructions. Please confirm all accessories are preset before installation.
2. Do not fully tighten the screws during initial assembly. Fully tighten screws only once all pieces which are correctly assembled.
3. If you encounter any problems during installation, please contact our customer service.
4. Please unbox the item from the side with an open-label and put a carpet on the floor to avoid scratching it.



Recommended installers : 2



Put a carpet on the floor before unpacking

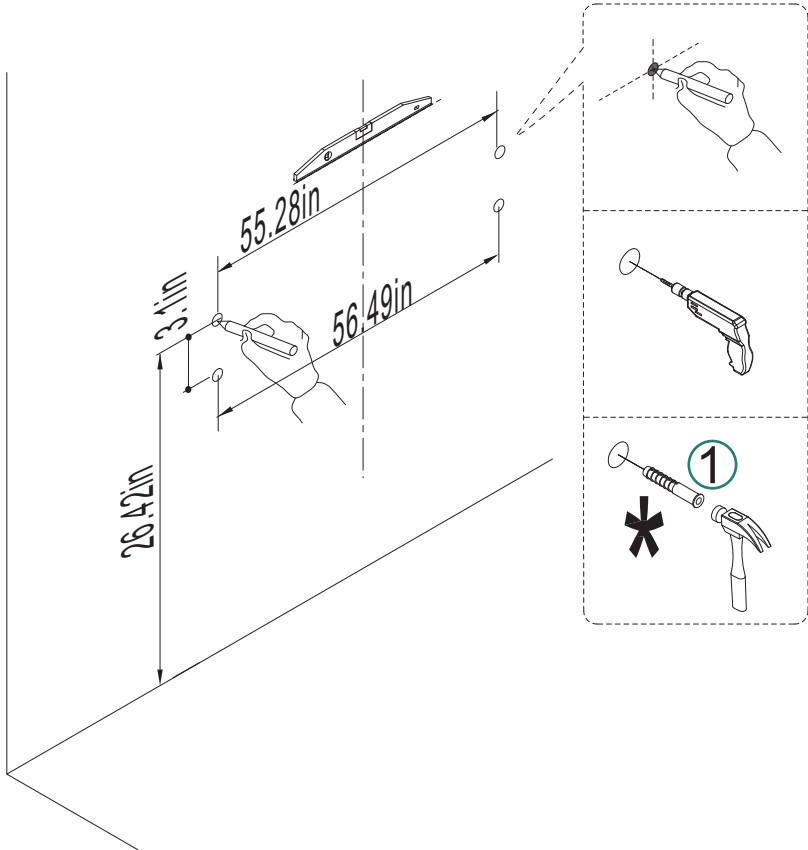
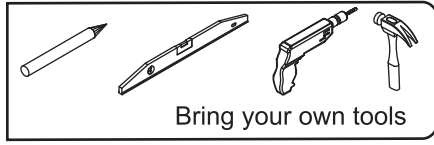
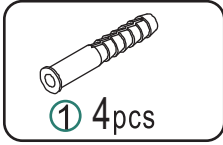


Estimate installation time:  
30 minutes

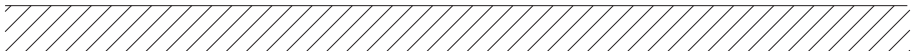
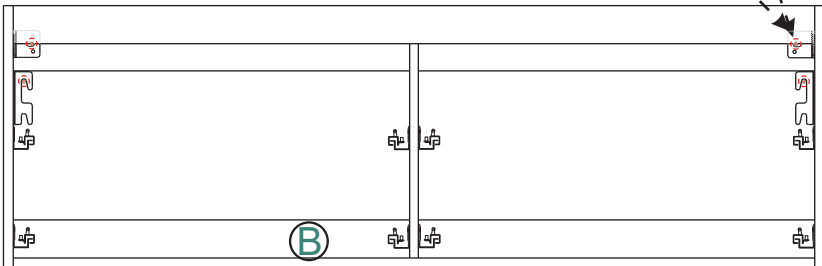
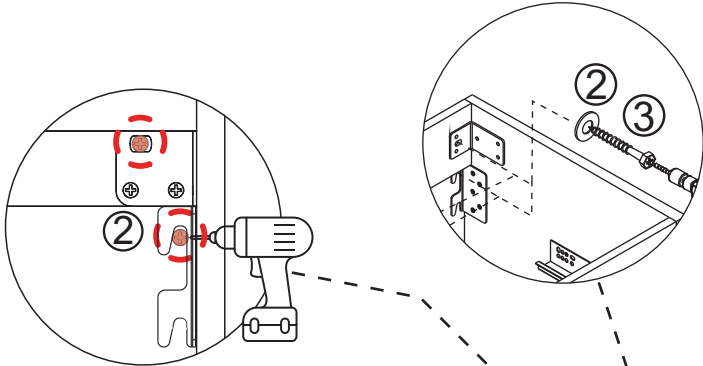
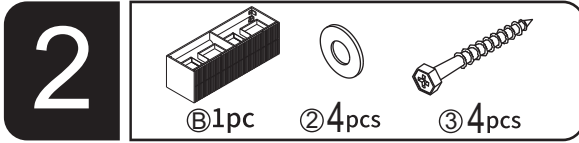
Item no.	Reference Image	Qty	Item no.	Reference Image	Qty
A		x1	2		x4
B		x1	3		x4
C		x4	4	 Ø3.5x14mm	x8
1		x4	5		x6

# ASSEMBLY INSTRUCTIONS

1

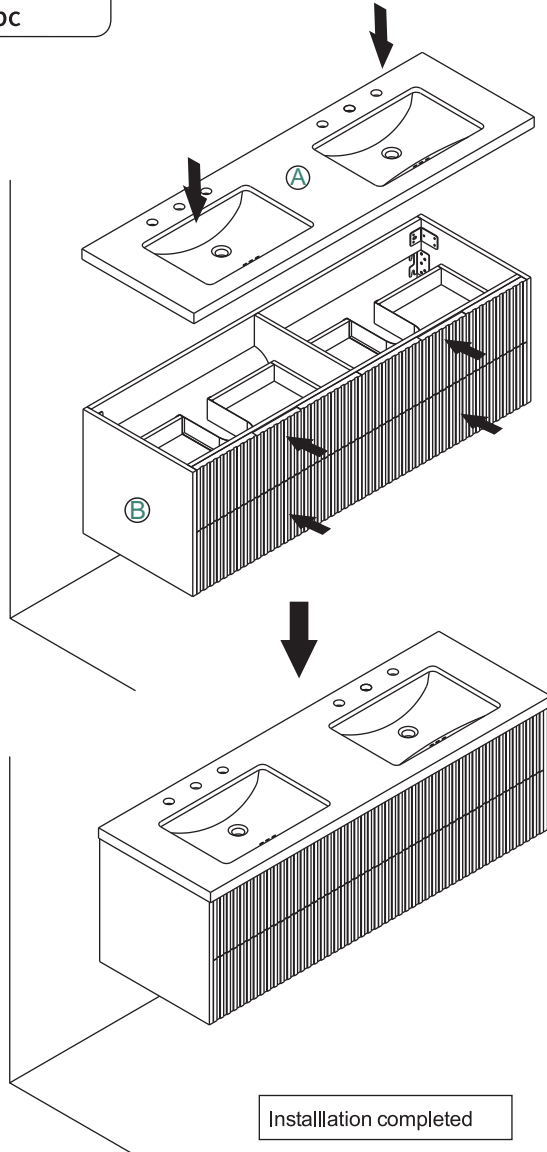
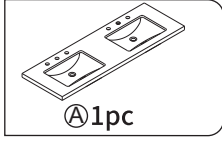


# ASSEMBLY INSTRUCTIONS



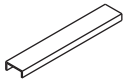
# ASSEMBLY INSTRUCTIONS

3



# ASSEMBLY INSTRUCTIONS

4



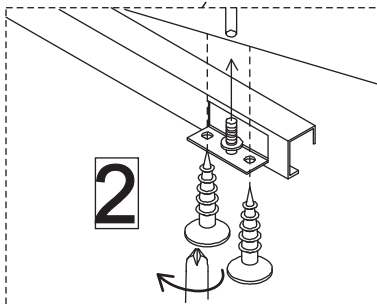
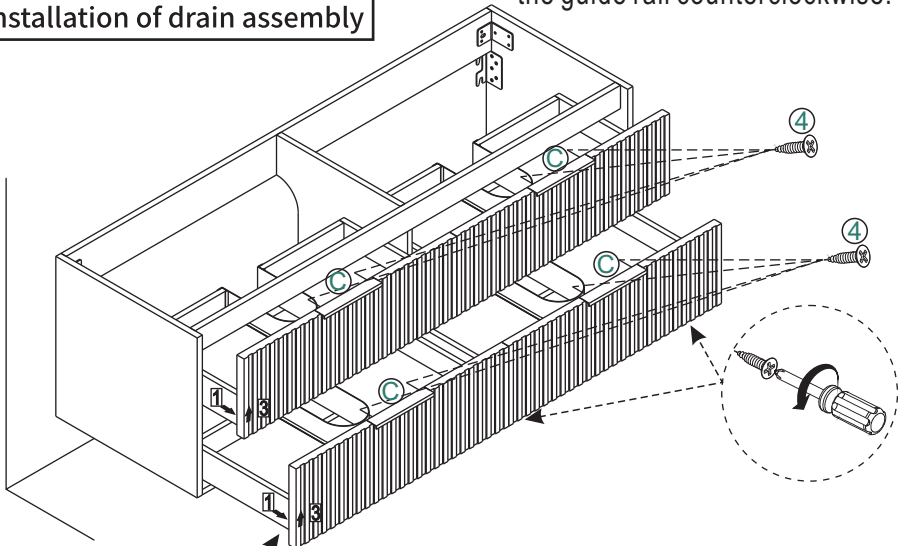
③ 2pc



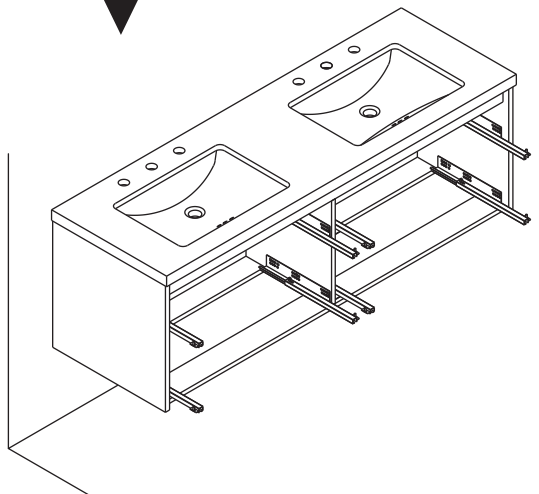
④ 8pcs

Installation of drain assembly

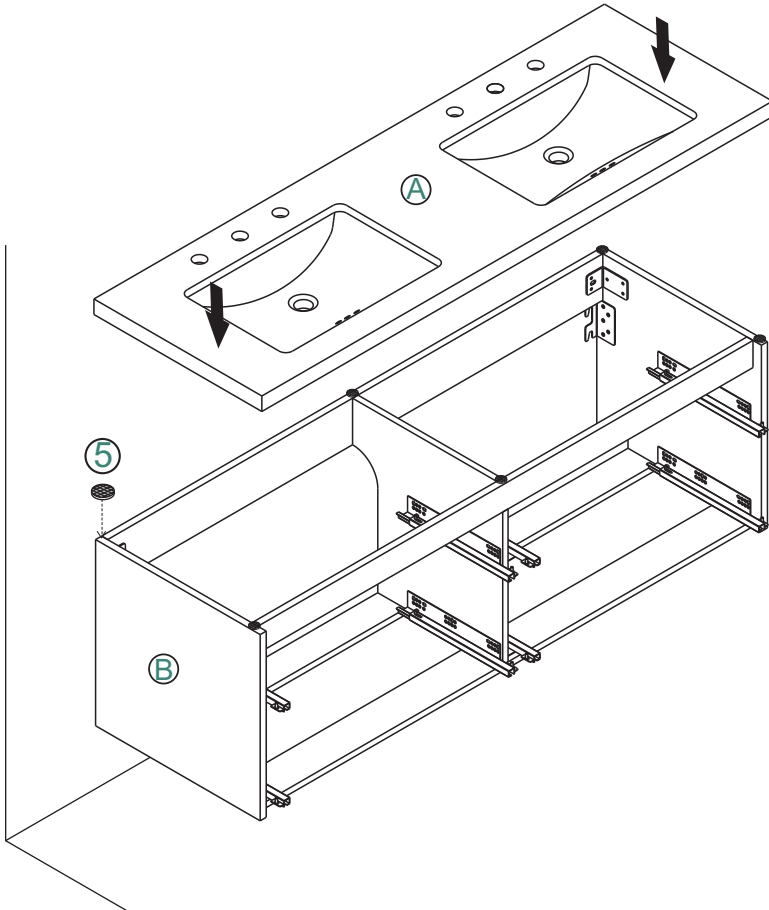
Turn the screw at the bottom of the guide rail counterclockwise!



Move out the drawer



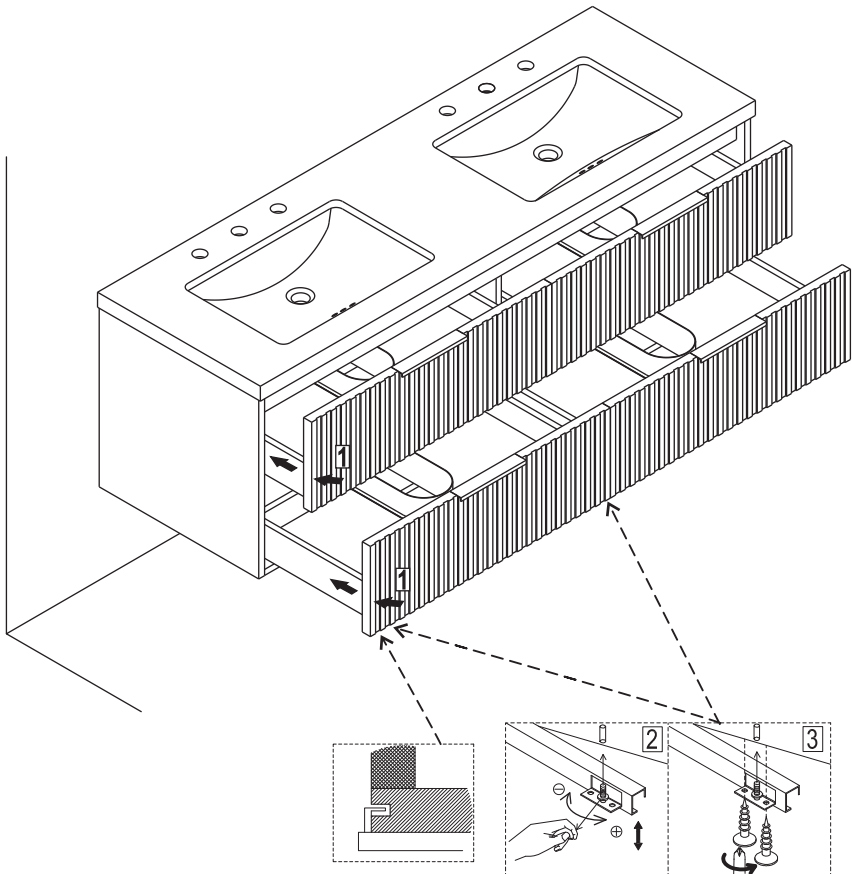
# ASSEMBLY INSTRUCTIONS



Installation of drain assembly

# ASSEMBLY INSTRUCTIONS

6



Installation completed