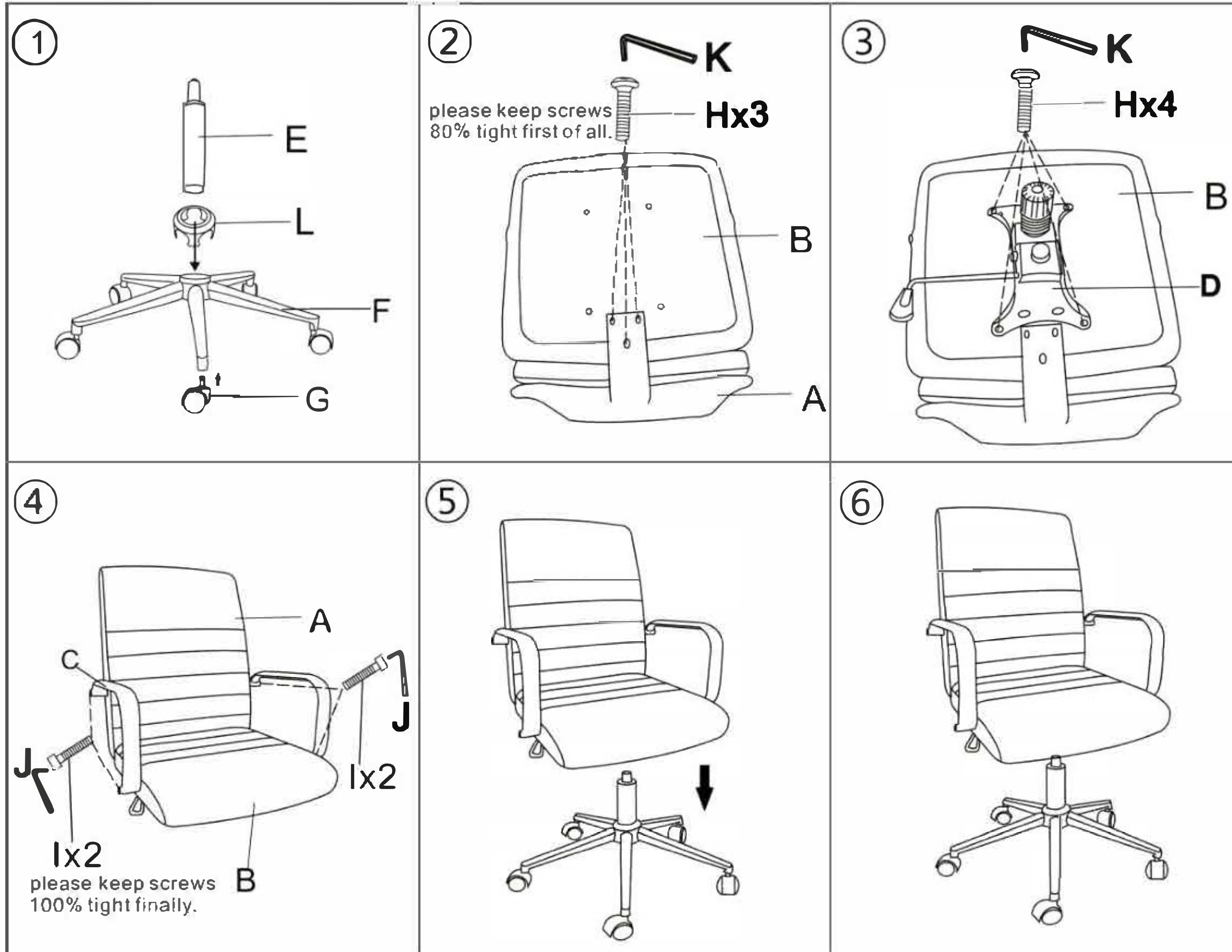


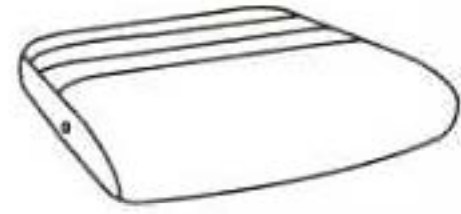



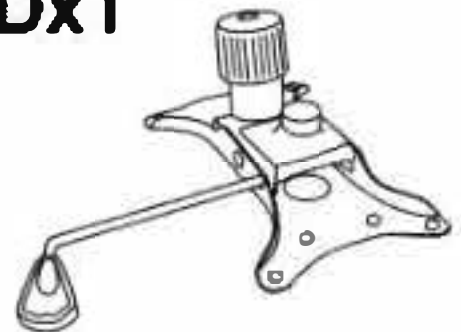



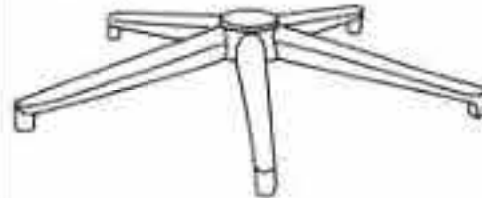


ASSEMBLY INSTRUCTION

ASSEMBLY PROGRAM



PARTS x QTY

AX1 	Gx5 
BX1 	Hx7  M6x18mm
Cx2 	Ix4  M8x50mm
Dx1 	Jx1 
Ex1 	Kx1 
Fx1 	Lx1 