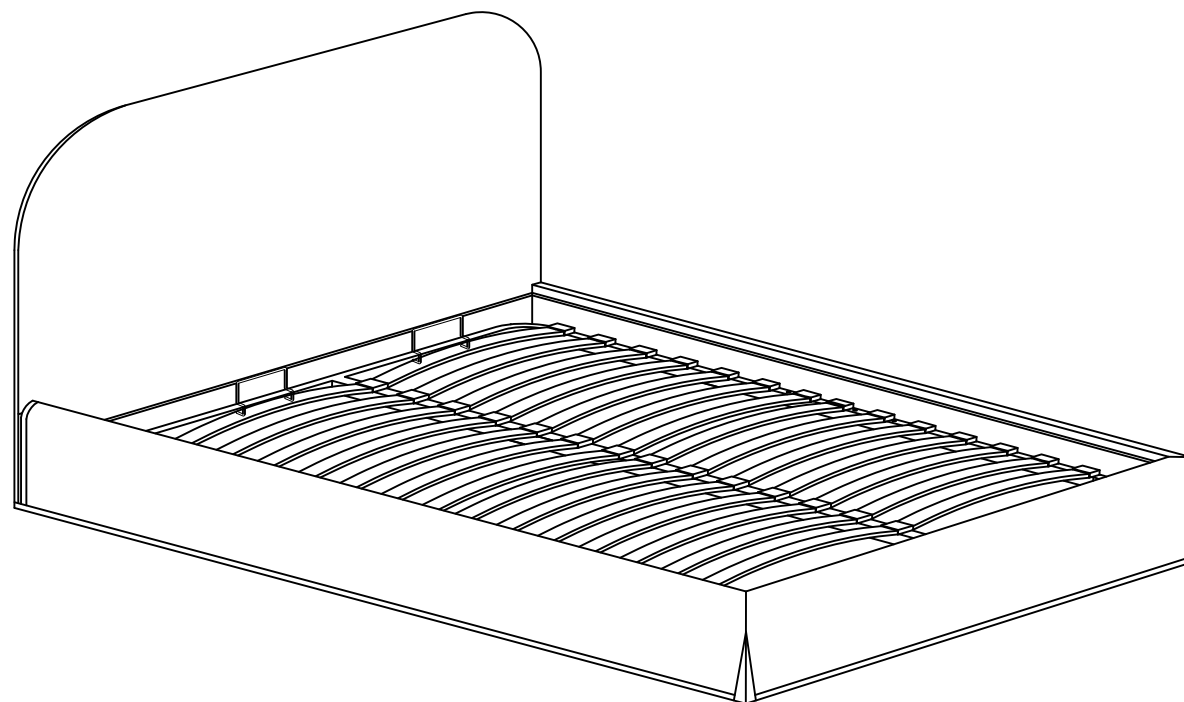


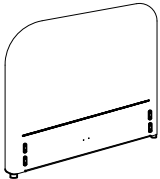
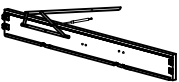
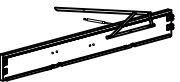





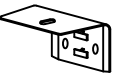

ASSEMBLY INSTRUCTIONS.

KING STORAGE BED CREAM



THANK YOU FOR YOUR PURCHASE!

PARTS AND HARDWARE.

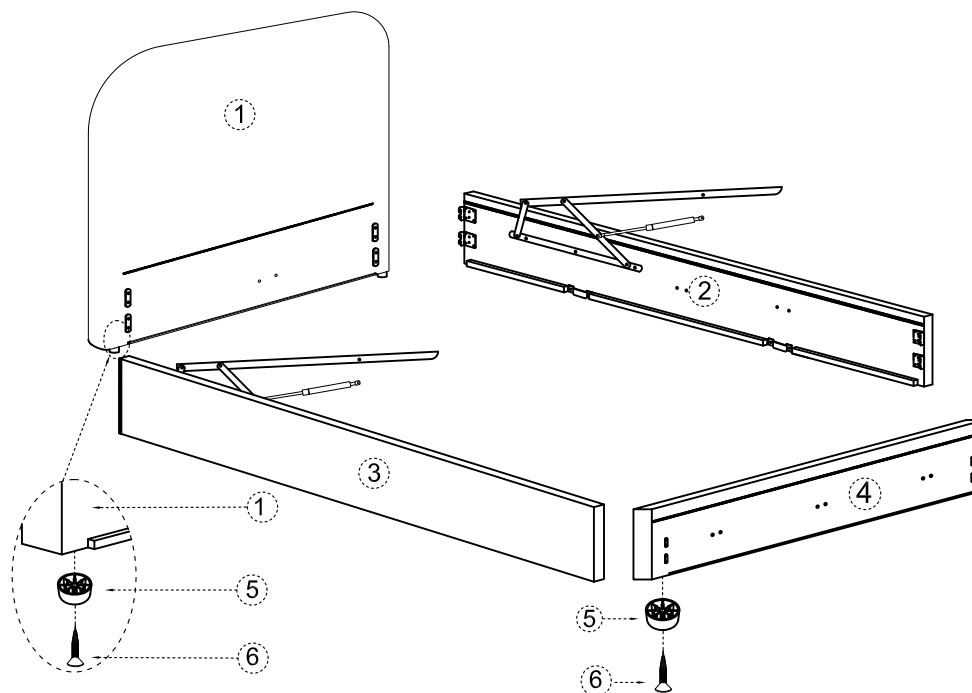
	
① Headboard=1pc	② Right Side Rail=1pc
	
③ Left Side Rail=1pc	④ Footboard=1pc
	
⑤ Feet=4pcs	⑥ Screws(m4*25mm)=4pcs
	
⑦ Bolts (M8*25mm)=12pcs	⑧ Allen Key=1pc (m5)
	
⑨ Brackets=6pcs	⑩ Stick Felts=6pcs

NOTES.

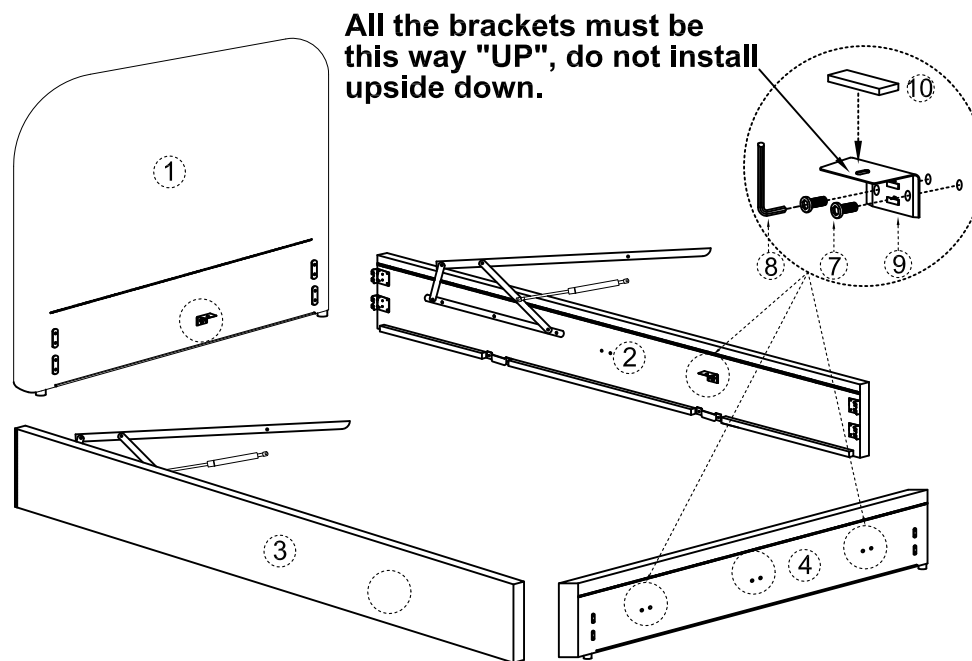
Thank you for purchasing this quality product! Be sure to check all packing material carefully for small part that may have come loose inside the carton during shipping.

CAUTION: The item is heavy, assembly should be performed by two people.

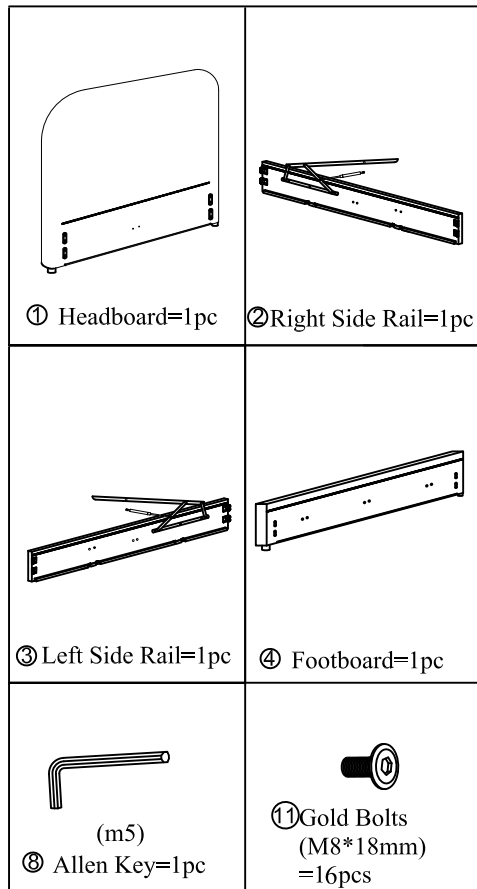
STEP 1.



STEP 2.



PARTS AND HARDWARE.

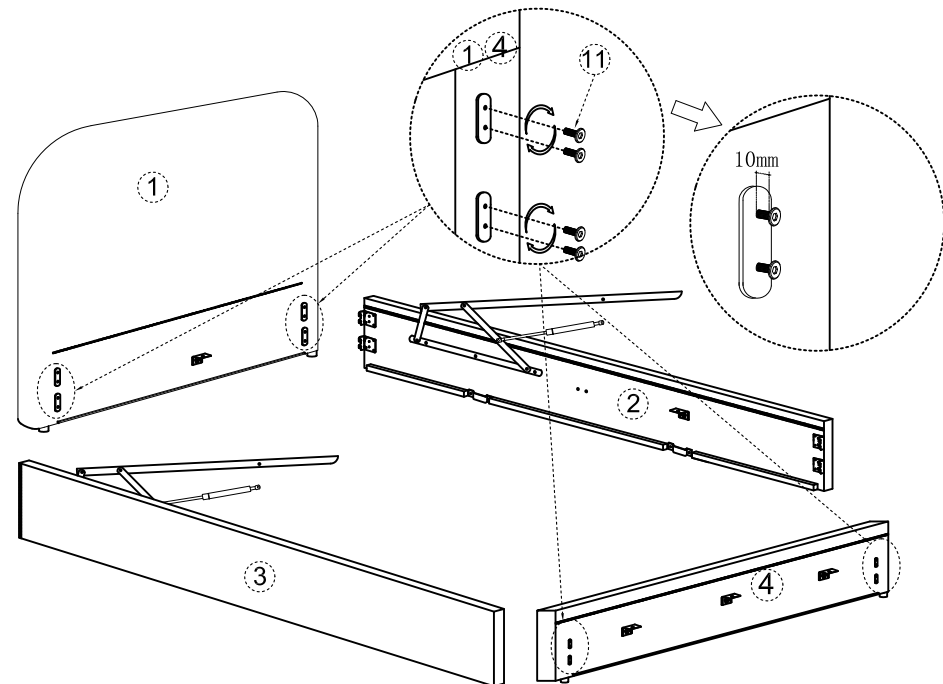


NOTES.

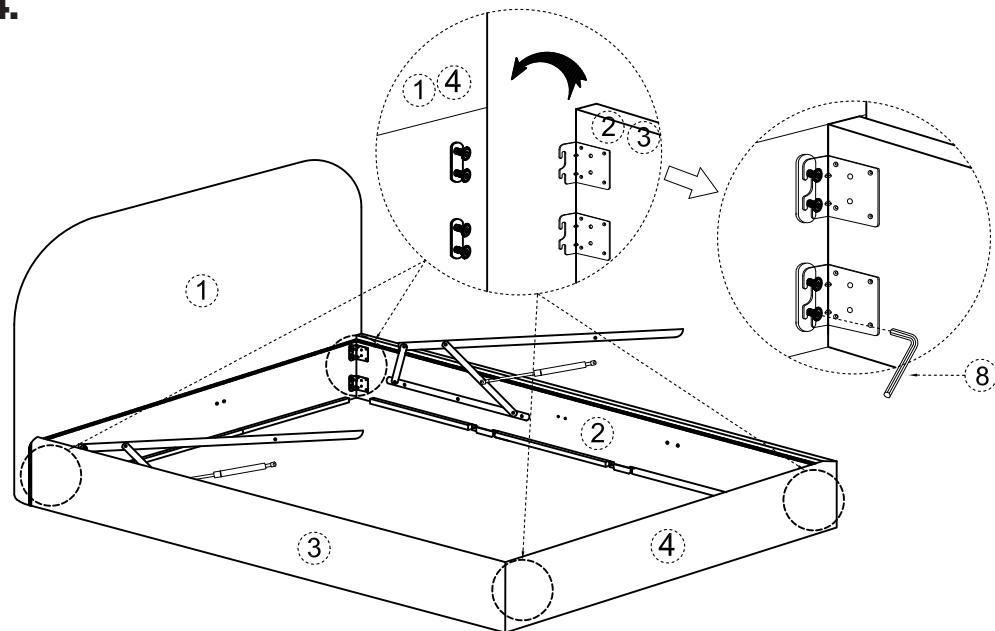
Thank you for purchasing this quality product! Be sure to check all packing material carefully for small part that may have come loose inside the carton during shipping.

CAUTION: The item is heavy, assembly should be performed by two people.





STEP 3.



STEP 4.



PARTS AND HARDWARE.

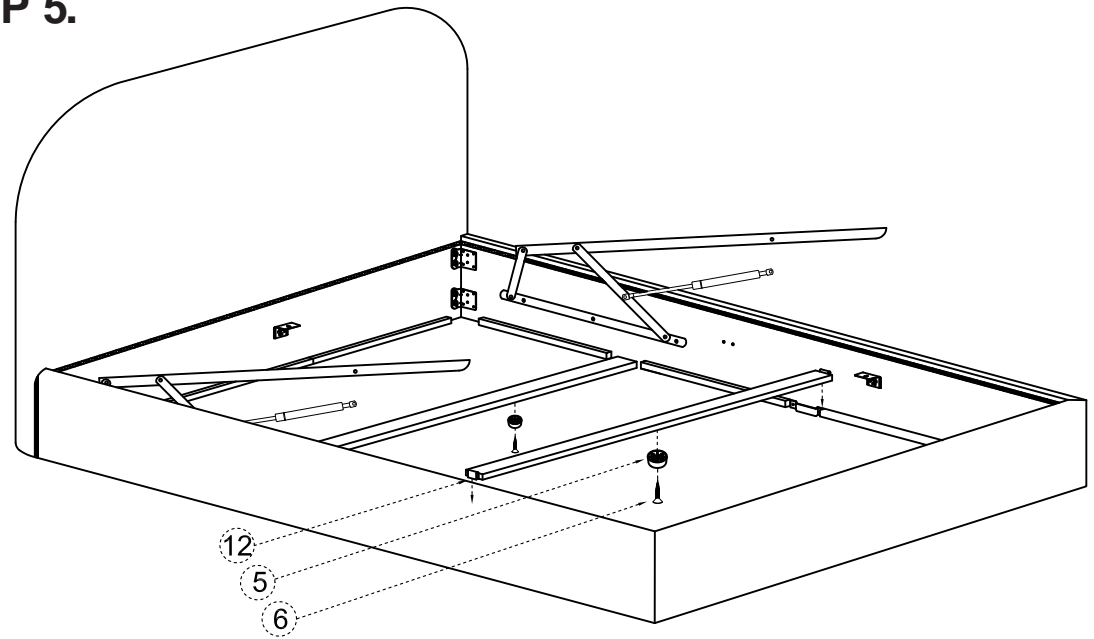
 ⑤ Feet=2pcs	 ⑥ Screws(m4*25mm) =2pcs
 ⑫ Centre Supporter Rails =2pcs	 ⑬ Baseboards =5pcs

NOTES.

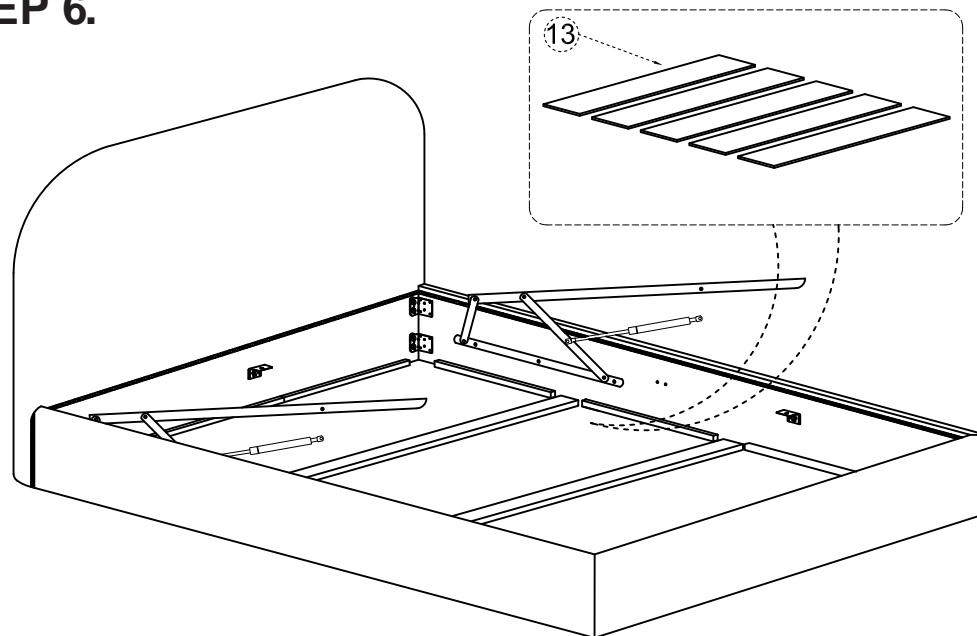
Thank you for purchasing this quality product! Be sure to check all packing material carefully for small part that may have come loose inside the carton during shipping.

CAUTION: The item is heavy, assembly should be performed by two people.


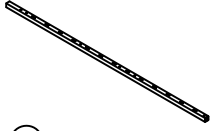

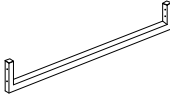


STEP 5.



STEP 6.



PARTS AND HARDWARE.

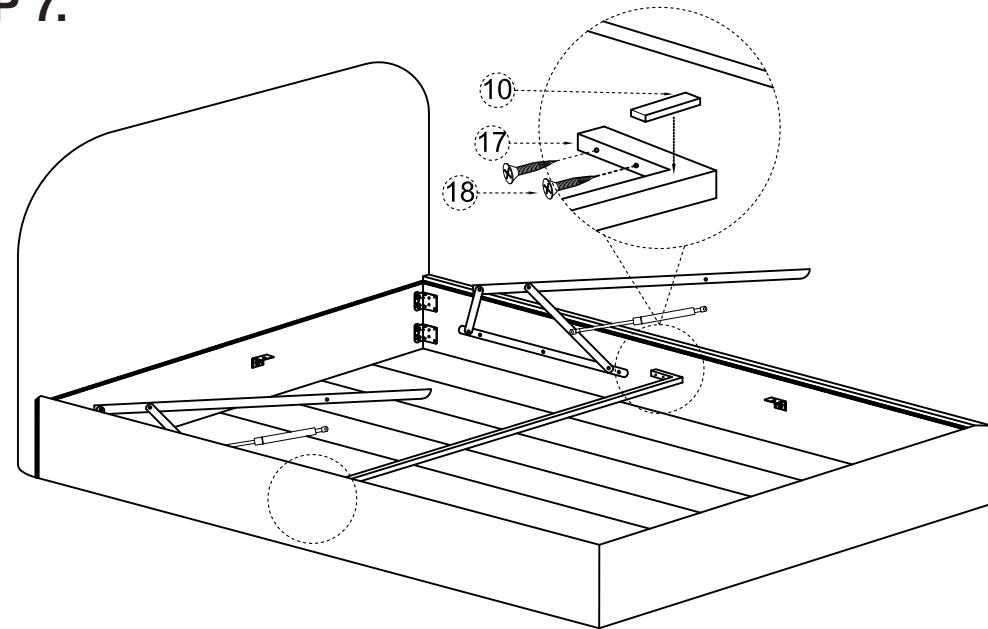
 <p>⑭ Tube slat frame =2pcs</p>	 <p>⑮ Tube slat frame =2pcs</p>
 <p>⑯ Connect for slat frame =4pcs</p>	 <p>⑰ Metal cross rail =1pc</p>
 <p>⑱ Screws(m5*40mm) =4pcs</p>	 <p>⑩ Stick Felts =2pcs</p>

NOTES.

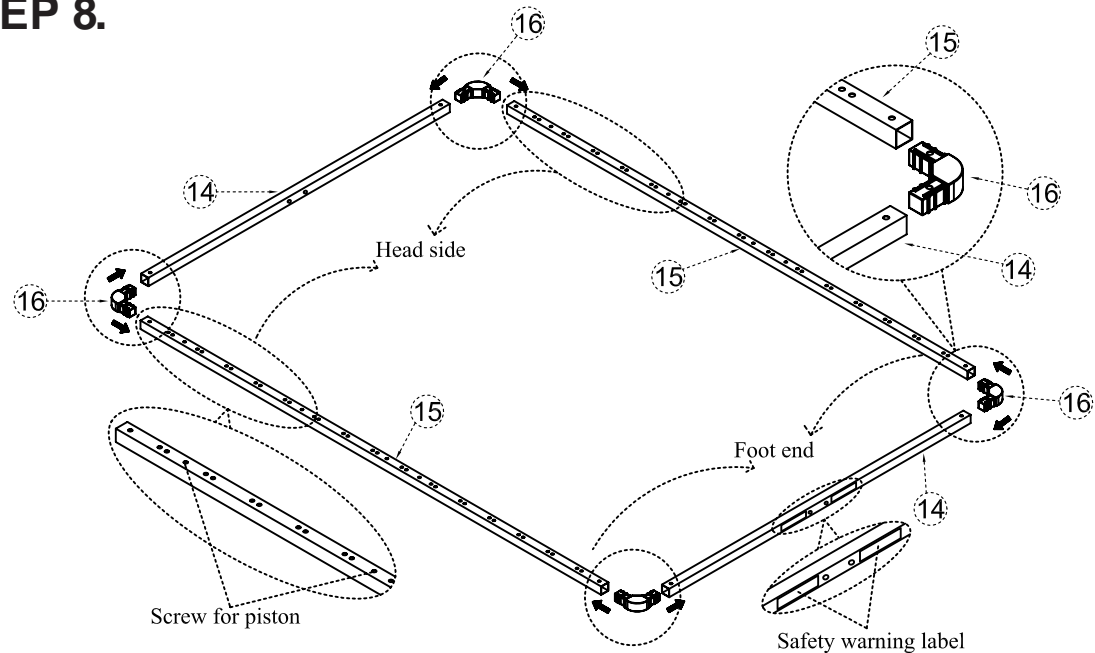
Thank you for purchasing this quality product! Be sure to check all packing material carefully for small part that may have come loose inside the carton during shipping.

CAUTION: The item is heavy, assembly should be performed by two people.

STEP 7.

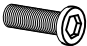










STEP 8.



Note: The tube ⑭ with safety warning label should be assembled footend.

PARTS AND HARDWARE.

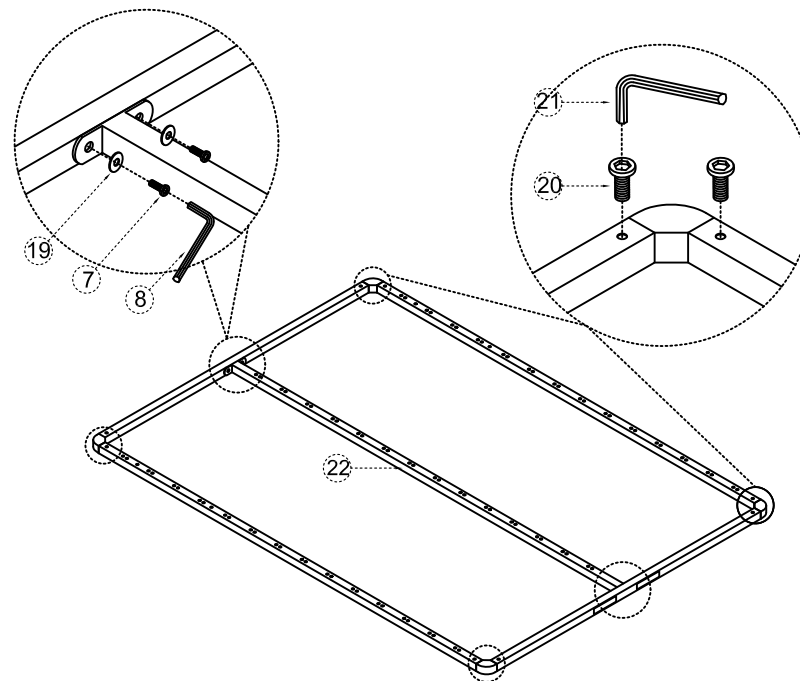
 ⑦ Bolts(Ø8*25mm) =4pcs	 (m5) ⑧ Allen Key=1pc
 ⑱ Washers(m8) =4pcs	 ⑳ Bolts(Ø6*10mm) =8pcs
 (m4) ㉑ Allen Key=1pc	 ㉒ Tube slat frame =1pc
 ㉓ Wide plastic cap(Big) = 14 Pcs	 ㉔ End plastic cap(Small) = 28 Pcs
 ㉕ Slats = 28 Pcs	

NOTES.

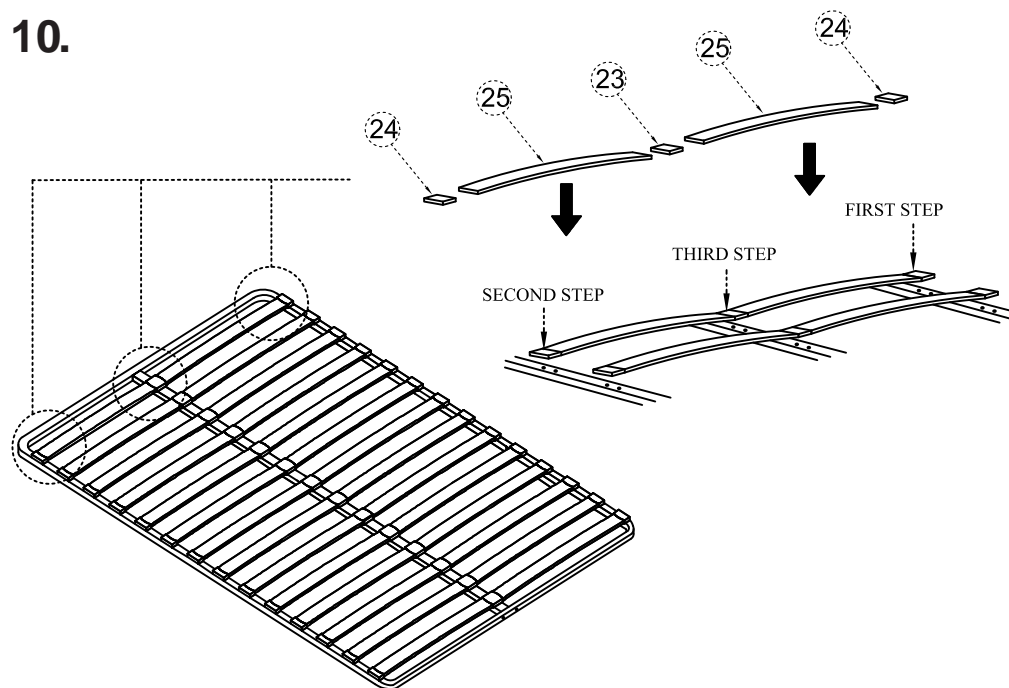
Thank you for purchasing this quality product! Be sure to check all packing material carefully for small part that may have come loose inside the carton during shipping.

CAUTION: The item is heavy, assembly should be performed by two people.

STEP 9.



STEP 10.



PARTS AND HARDWARE.

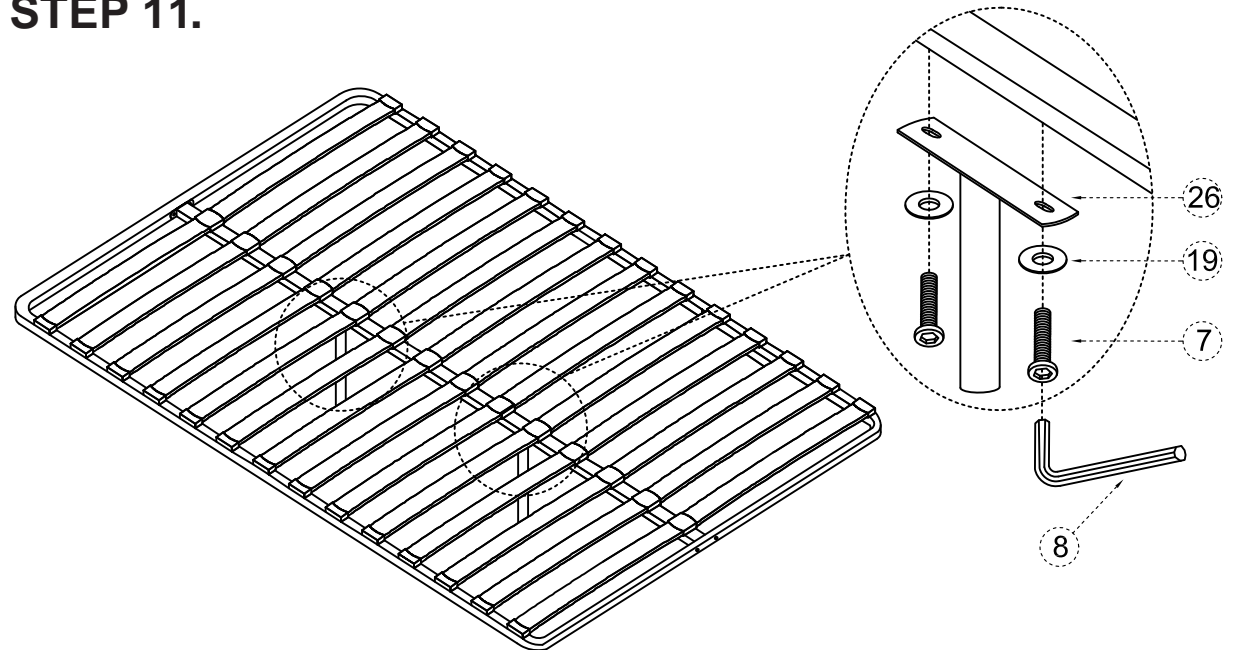
<p>⑦ Bolts(Ø8*25mm) =4pcs</p>	<p>(m5) ⑧ Allen Key=1pc</p>
<p>⑱ Washers(m8) =20pcs</p>	<p>⑳ Metal Support legs=2pcs</p>
<p>㉓ Bolts(Ø8*45mm) =8pcs</p>	<p>㉔ Nuts(Ø8) =8pcs</p>
<p>㉕ Spanner=1pc</p>	

NOTES.

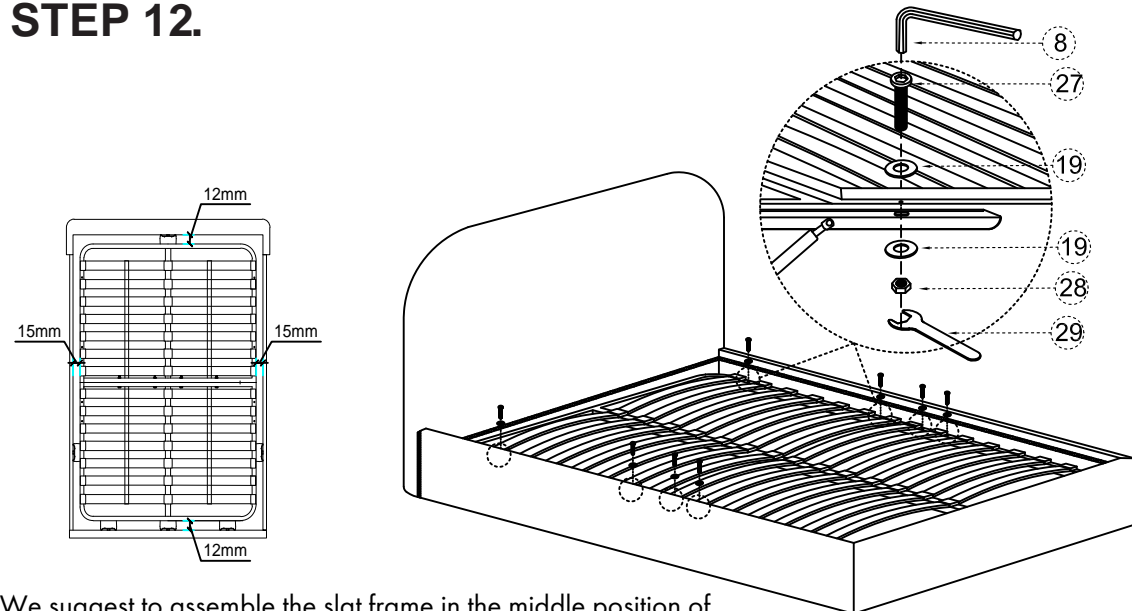
Thank you for purchasing this quality product! Be sure to check all packing material carefully for small part that may have come loose inside the carton during shipping.

CAUTION: The item is heavy, assembly should be performed by two people.

STEP 11.

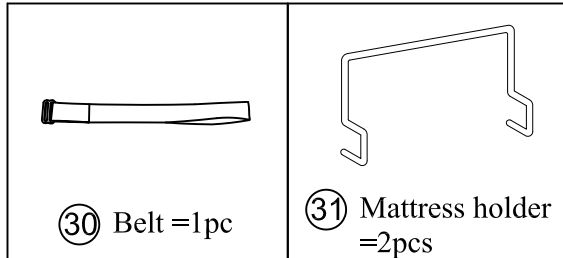


STEP 12.

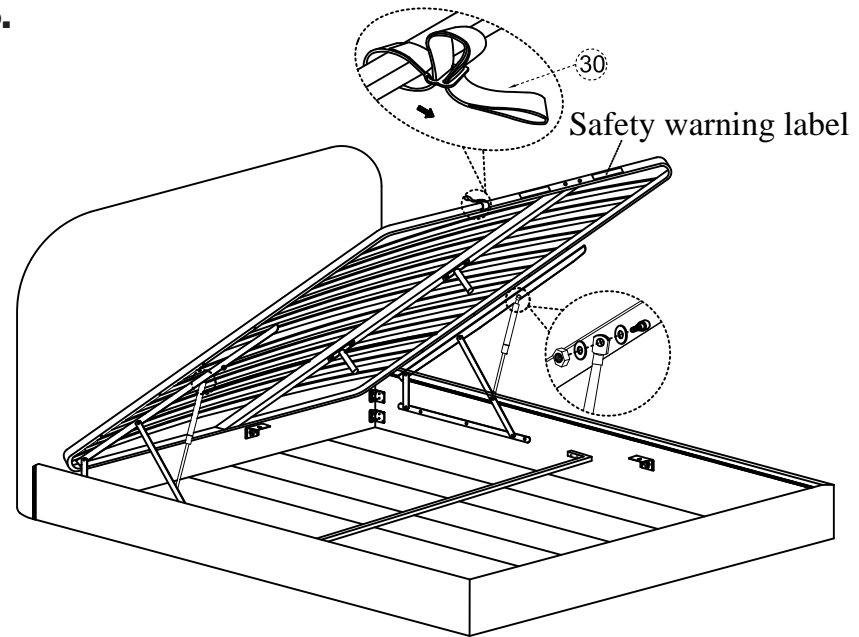


We suggest to assemble the slat frame in the middle position of the bed and try to keep 15mm distance on both side rails and keep 12mm distance on headboard and footboard, need to be equidistant.

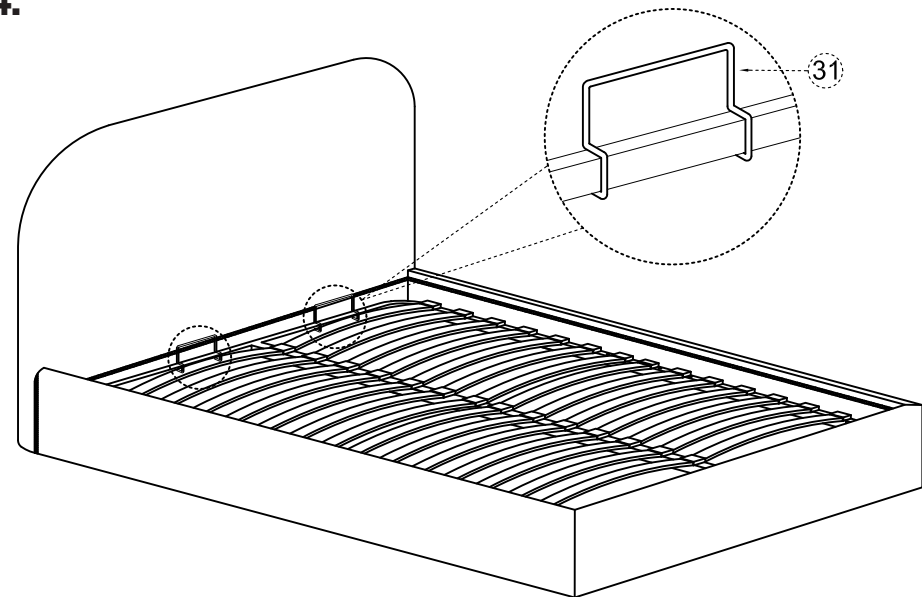
PARTS AND HARDWARE.



STEP 13.



STEP 14.



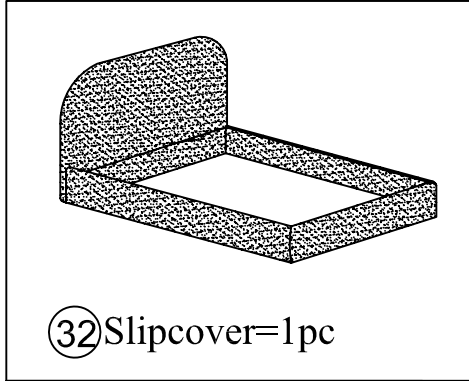
NOTES.

Thank you for purchasing this quality product! Be sure to check all packing material carefully for small part that may have come loose inside the carton during shipping.

CAUTION: The item is heavy, assembly should be performed by two people.

Warning: When you need to move the bed please lift it, do not drag it.

PARTS AND HARDWARE.



NOTES.

Thank you for purchasing this quality product! Be sure to check all packing material carefully for small part that may have come loose inside the carton during shipping.

CAUTION: The item is heavy, assembly should be performed by two people.

STEP 15.

