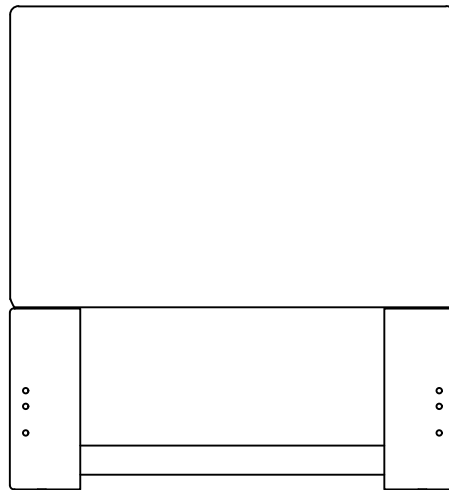


*ASSEMBLY INSTRUCTIONS*  
*COASTER FINE FURNITURE*



*Fine Furniture for every stage of life*

**315993T**  
***Twin Headboard***

## ASSEMBLY INSTRUCTIONS

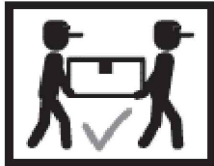
### ASSEMBLY TIPS:

1. Remove hardware from box and sort by size.
2. Please check to see that all hardware and parts are present prior to start of assembly.
3. Please follow attached instructions in the same sequence as numbered to assure fast & easy assembly.

### WARNING!



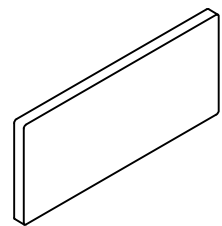
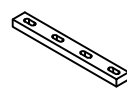
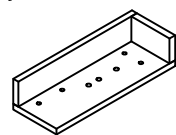

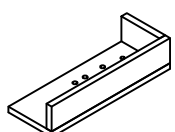
1. Don't attempt to repair or modify parts that are broken or defective. Please contact the store immediately.
2. This product is for home use only and not intended for commercial establishments.



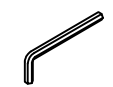



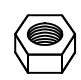




ASSEMBLY TIME

15 MINUTES

## PARTS IDENTIFICATION

<b>A HEADBOARD PANEL</b>		1PC	<b>D WOOD CLEAT</b>		2PCS
<b>B LEFT LEG</b>		1PC	<b>E HEADBOARD BOTTOM RAIL</b>		1PC
<b>C RIGHT LEG</b>		1PC			

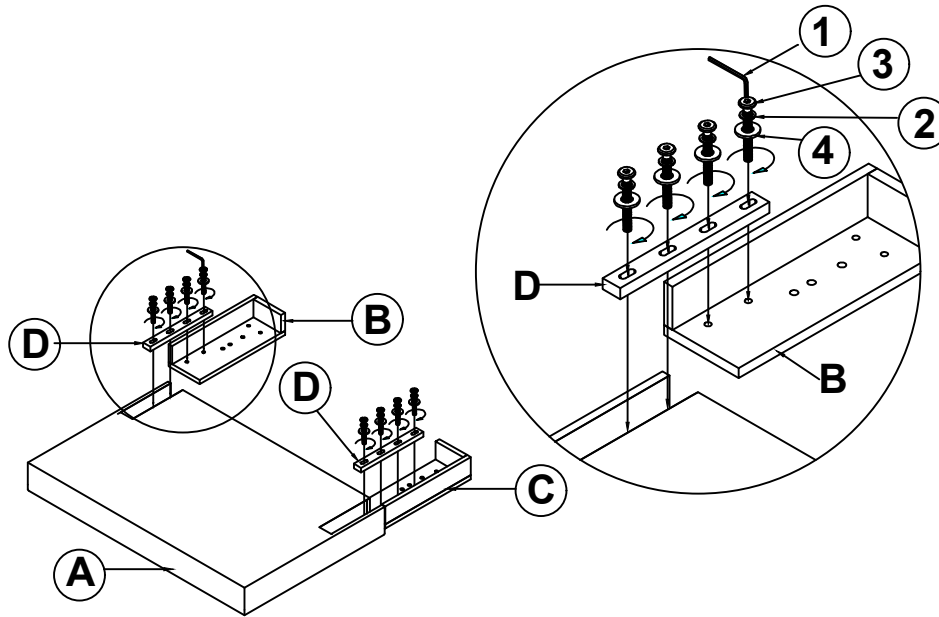
## HARDWARE IDENTIFICATION

<b>1 ALLEN WRENCH (4MM-RBW)</b>		1PC	<b>2 BIG LOCK WASHER (Ø 5/16 "-RBW)</b>		12PCS
<b>3 BIG BOLT (Ø 5/16 "X38mm-RBW)</b>		12PCS	<b>4 BIG FLAT WASHER (Ø 5/16 "-RBW)</b>		12PCS
<b>5 HEX NUT (1/4"x10mm)</b>		6PCS	<b>6 WRENCH (10MM-RBW)</b>		1PC
<b>7 SMALL BOLT (Ø 1/4 "X38mm-RBW)</b>		6PCS	<b>8 SMALL LOCK WASHER (Ø 1/4 "-RBW)</b>		12PCS
<b>9 SMALL FLAT WASHER (Ø 1/4 "-RBW)</b>		12PCS			

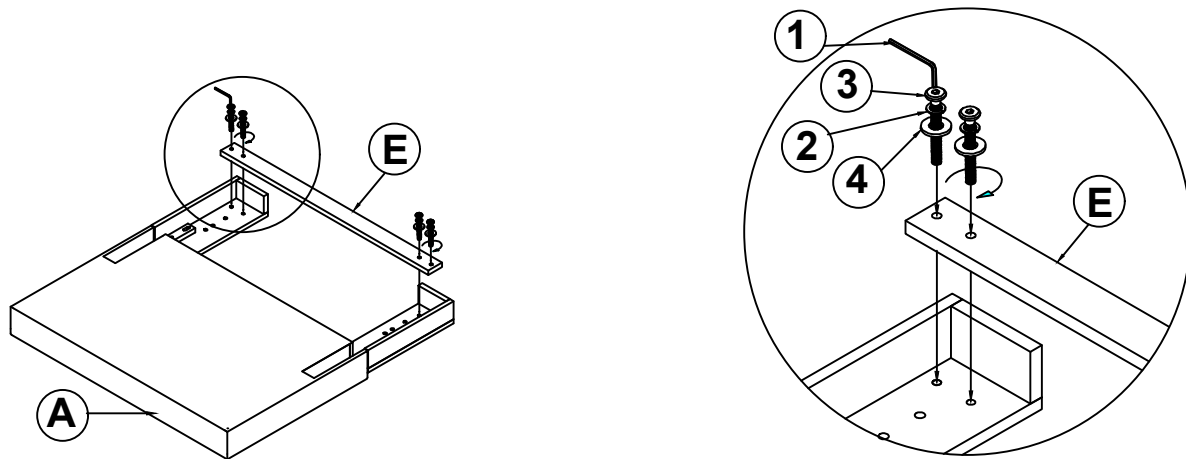
# ITEM: 315993T

## ASSEMBLY INSTRUCTIONS

### STEP 1

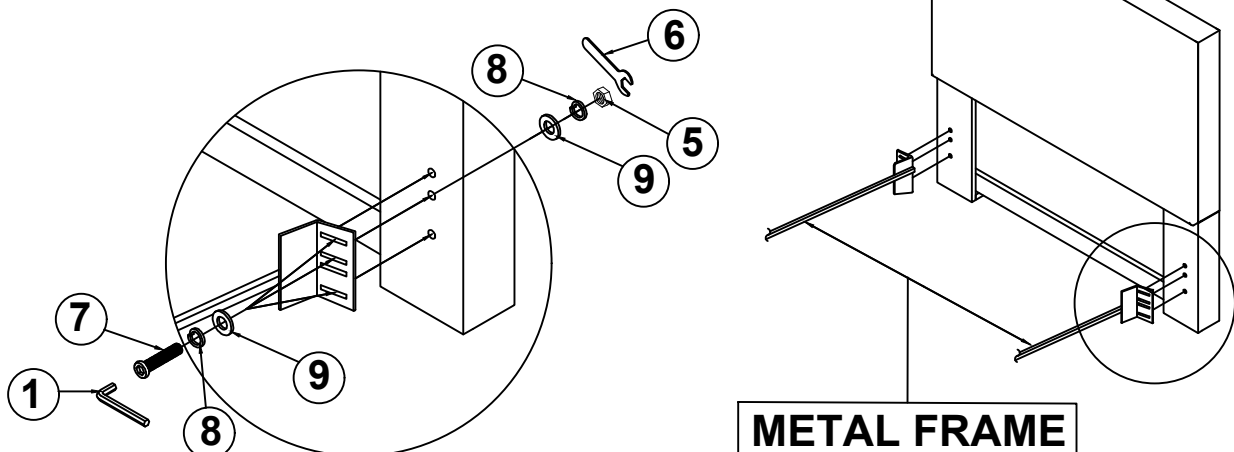


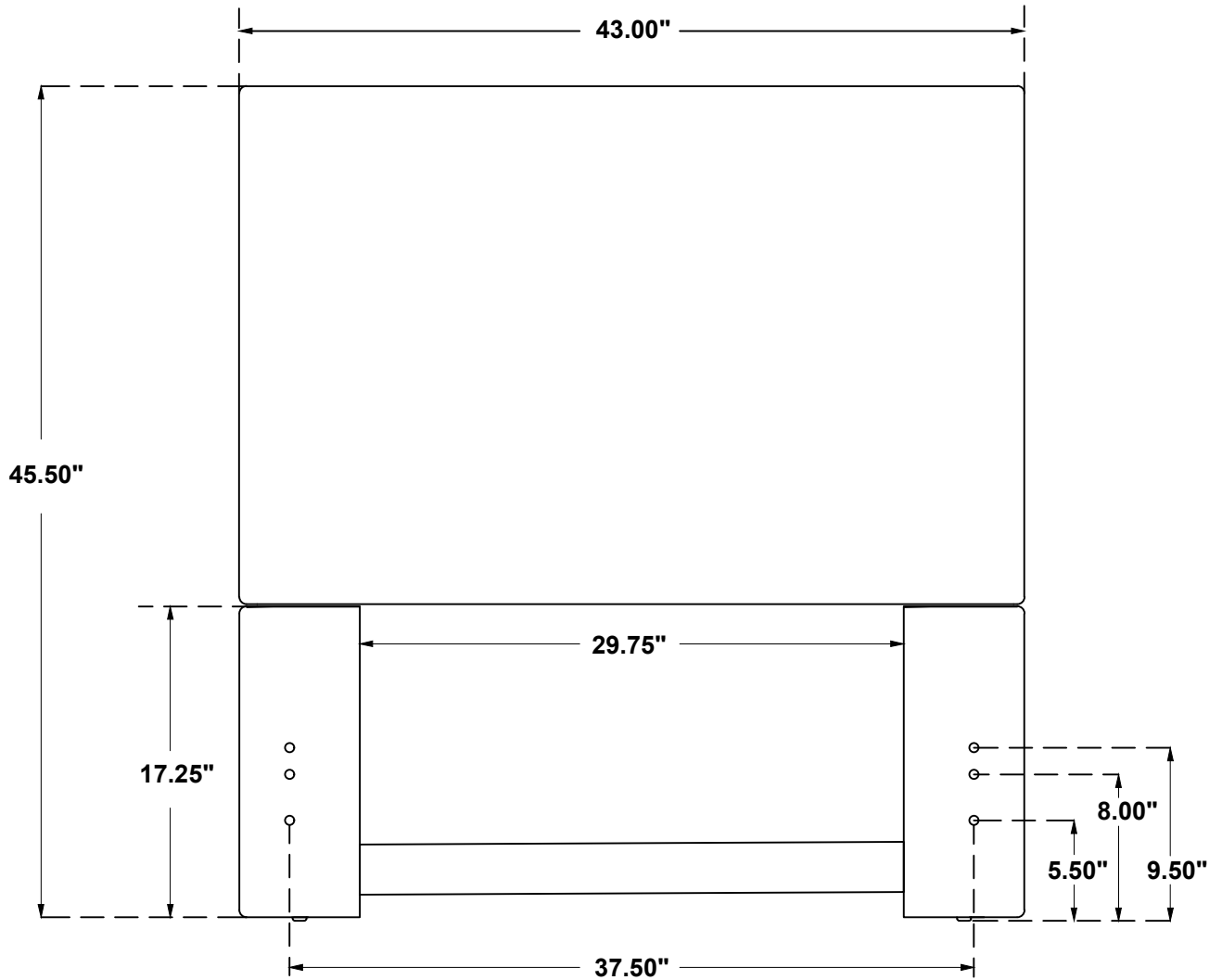
### STEP 2



### STEP 3

### COMPLETE





Note:Dimension tolerance±5%