










# Assembly Instructions

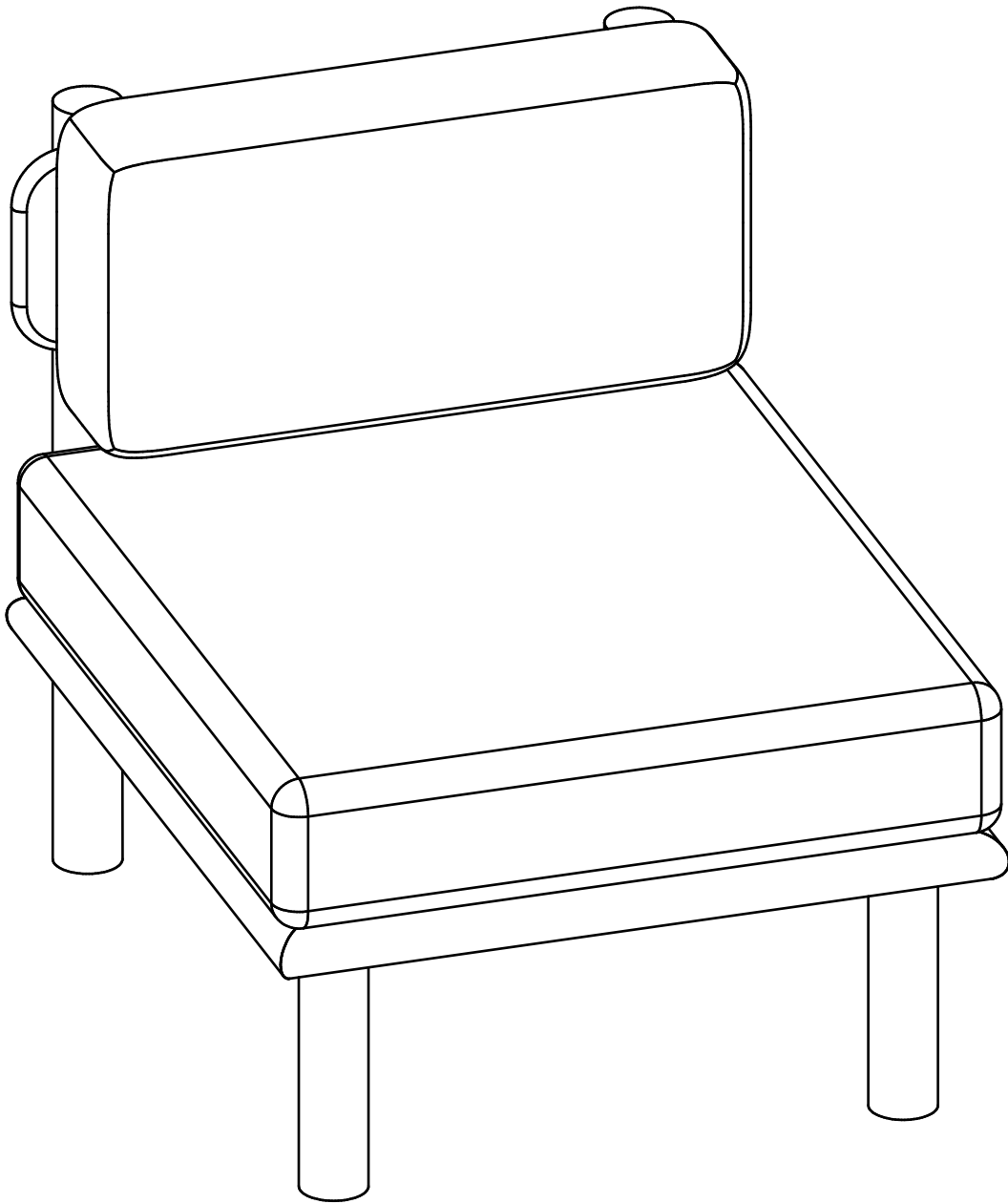
**Caution : You must read this before you proceed .**

## Care & Maintenance

- ⊘  Not for commercial use. For residential use only.
- ⊘  Do not put hot items directly on furniture surface.
- ⊘  Do not clean furniture with harsh cleansers or polish.
- ✓  To obtain the longest lifespan of your outdoor products, minimizing exposure to direct sunlight is recommended.
- ⊘  Children should not climb or jump on the furniture.
- ⊘  Do not write on furniture without a padded barrier to protect the surface.
- ✓  To obtain the longest lifespan of your outdoor products, avoid extended and lengthy exposure to rain, snow, and direct sunshine. Whenever possible cover the product and /or place under patio or awnings.
- ⊘  Stains may be removed with mild soap solution and damp cloth.
- ✓  Dust and pick-up spills using a clean, non-colored, lint-free cloth.

Please look underneath the seat panel for hardware packs.

# CHAIR

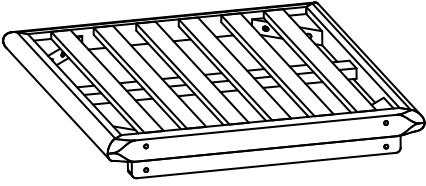
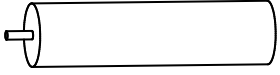
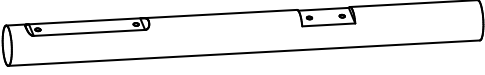






Caution: This Chair is NOT a TOY.

Keep your child / children at bay during the assembly process.

Whenever lifting or moving the Chair and to prevent damage to the Chair, two adults may be needed to execute these actions.

# Parts List

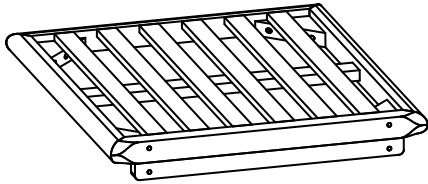
Label	Picture	Description	QTY
A		Seat Panel	1
B		Front Leg	2
C		Back Leg	2
D		Backrest Panel	1
E		Back Pillow	1
F		Pillow Cover	1
G		Seat Cushion	1

# Hardware

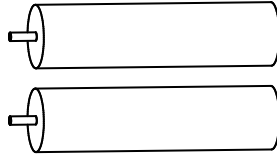
Label	Picture	Description	QTY
①		Bolt (M6x65mm)	9
②		Allen Wrench	2

## Assembly Preparation

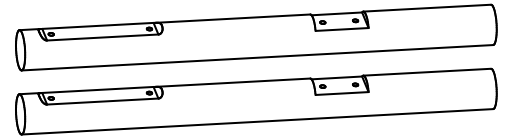
Before Beginning Assembly:



A



B



C



D



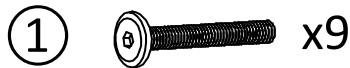
E



F



G



- Read instructions, cover to cover-



- Have 2 adults on hand for assembly-



- Do not assemble on flooring or carpet-



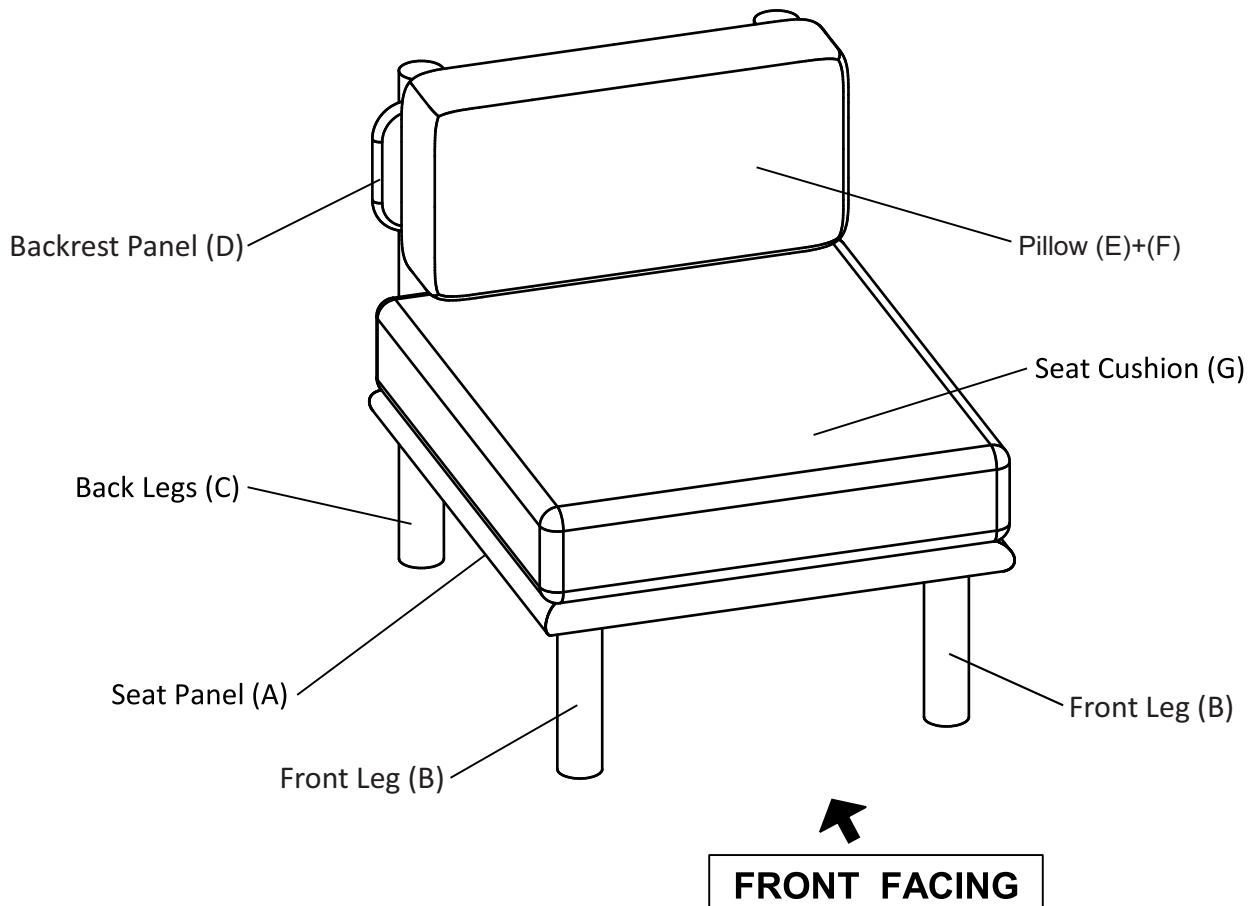
- Assemble on a clean non-marring surface (packing foam)-



- Save all packaging until finished-

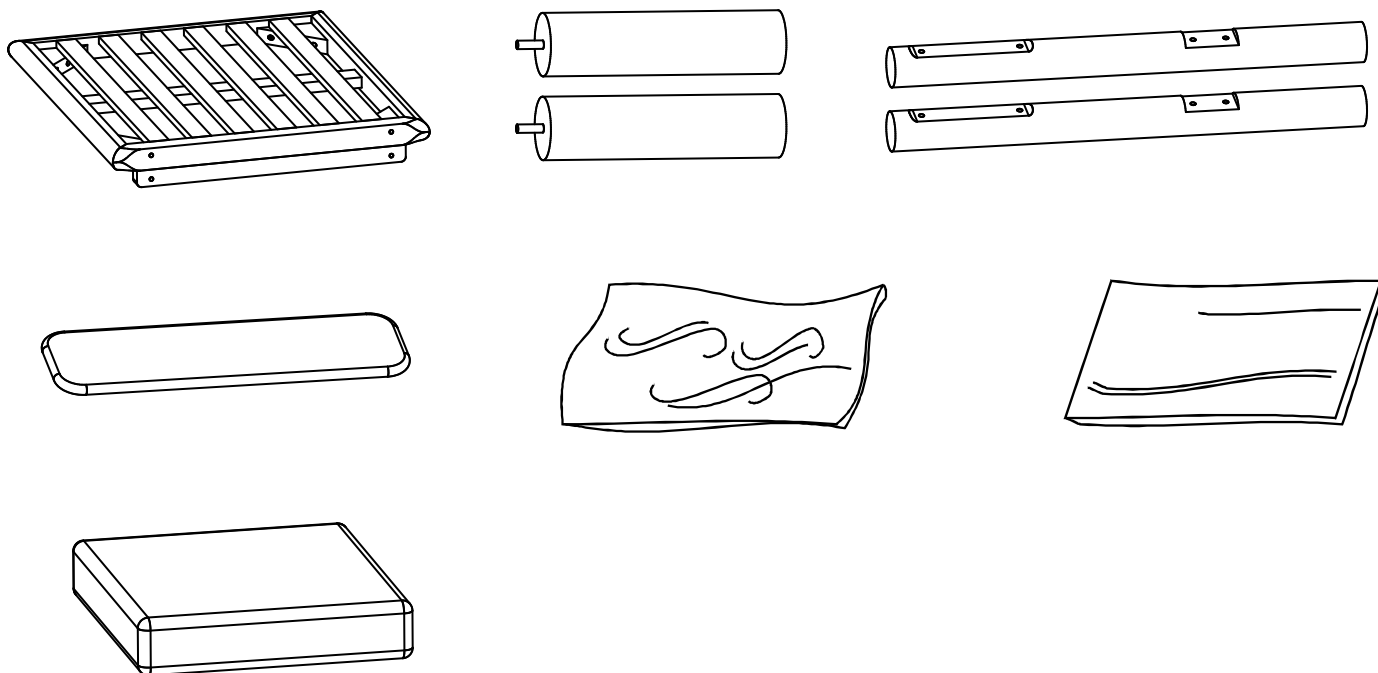
# Assembly Steps

## Overview



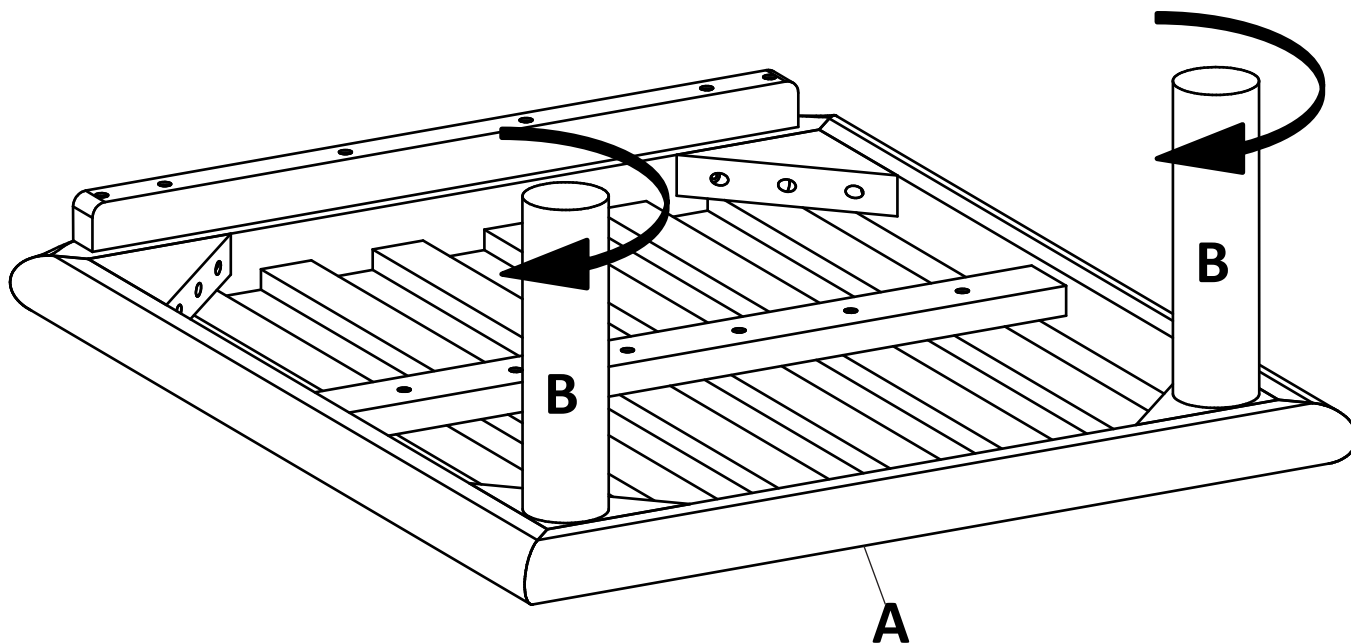
This Chair has multiple parts and may require up to 30 minutes to assemble. To give you an overview of the Chair parts, the above picture is to help you put the various parts into perspective. Please read through the instructions below to familiarise yourself with the parts and steps before assembly.

## Step 1:



Unpack and place all parts on a clean, non-marring surface.

## Step 2:

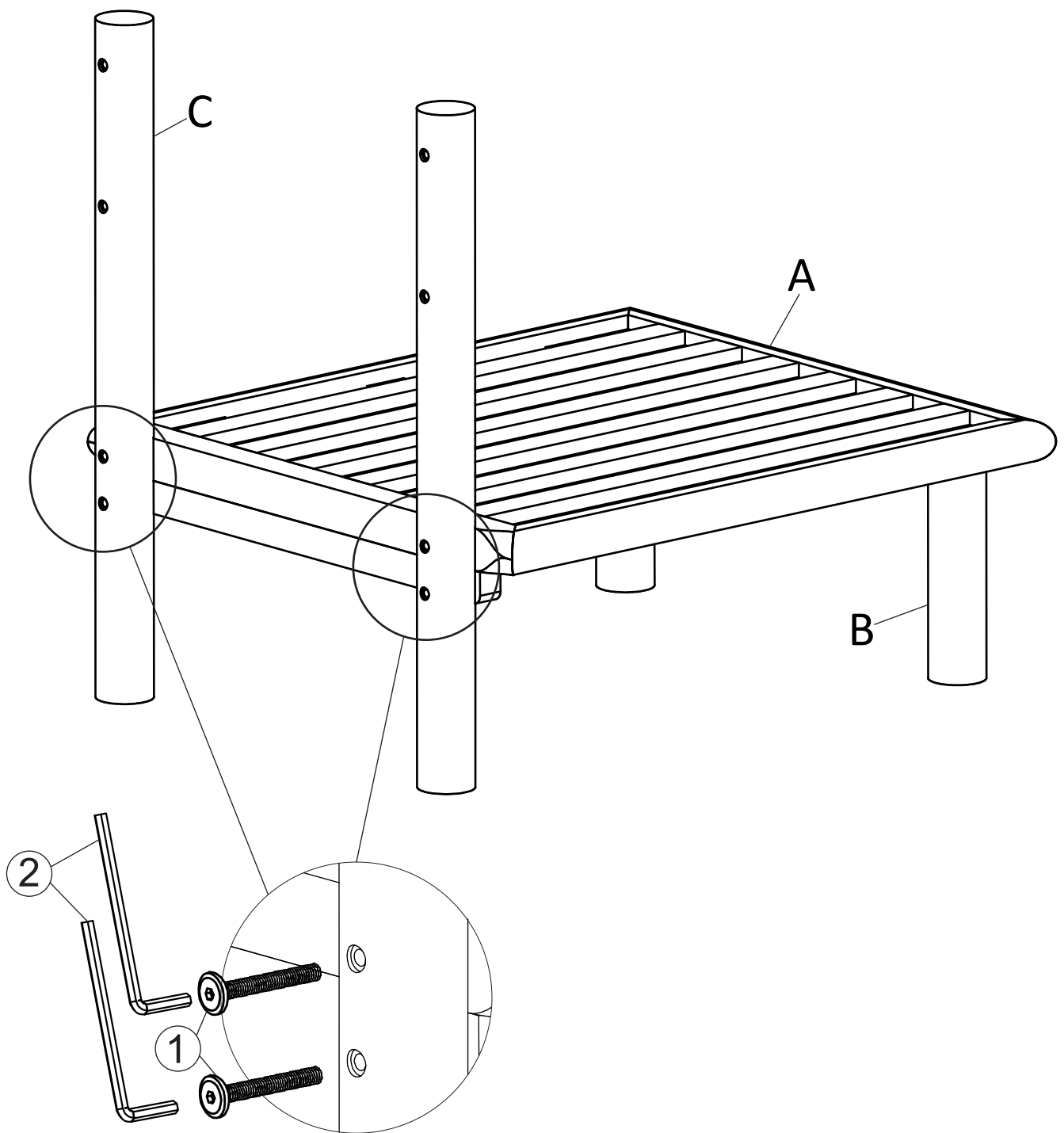


With assistance from your adult partner, attach the Front Leg (B) to the Seat Panel (A) as shown in picture above.

**DO NOT fully tighten the Legs.**

Repeat the same process with the remaining Front Leg (B)

**Step 3:**

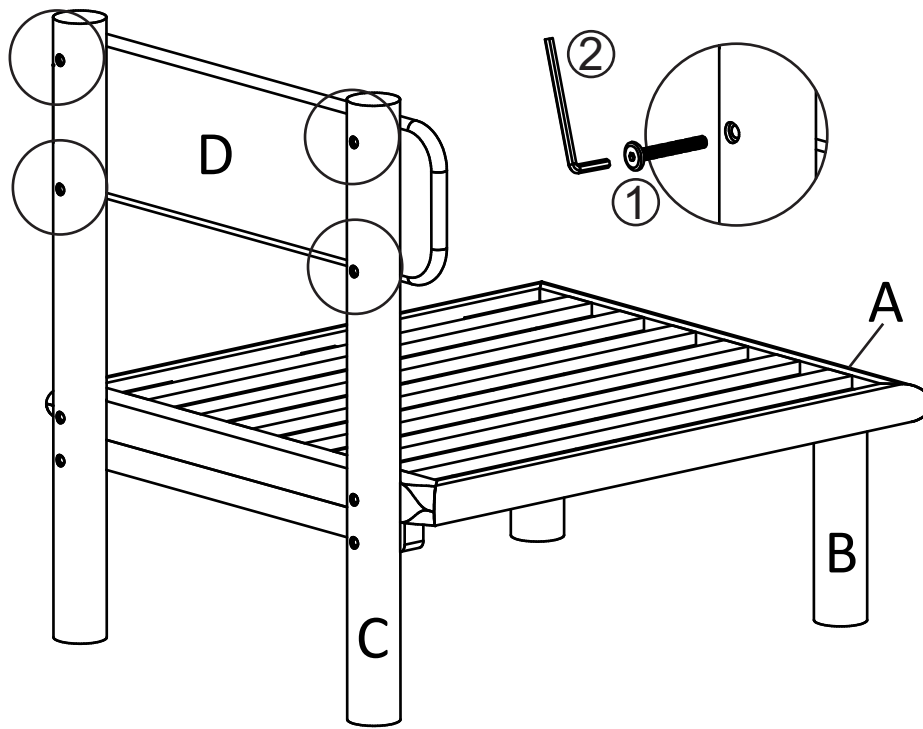


With assistance from your adult partner, attach the Back Leg (C) to the Seat Panel (A) using Bolts (①) and Allen Wrench (②) as shown in picture above.

**DO NOT fully tighten the Bolts.**

Repeat the same process with the remaining Back Leg ( C )

### Step 4:



With assistance from your adult partner, attach the the Backrest Panel (D) to Back Leg (C) using Bolts (①) and Allen Wrench (②) as shown in picture above.

**DO NOT fully tighten the Bolts.**

### Step 5:



5.1 Remove plastic bag to decompress white foam Back Cushion.



5.2 Unzip Back Cushion Cover.



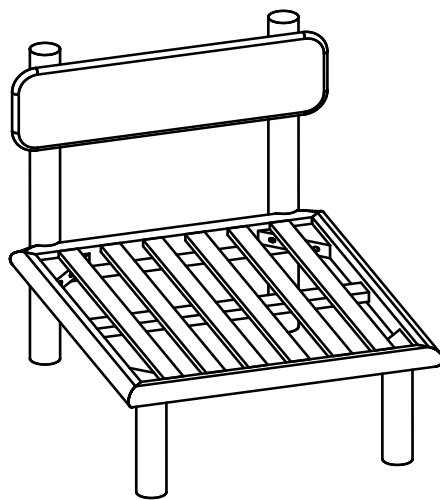
5.3 Insert Back Cushion into matching Back Cushion Cover.



5.4 Adjust/smooth out cover and cushion before zipping pillow closed.

Insert Back Pillow (E) into Pillow Cover (F)

## Step 6:



Inspect it and make sure all parts are adequately connected.

Gently and gracefully, sit onto the Chair.

This will help to align all the parts at all joint areas.

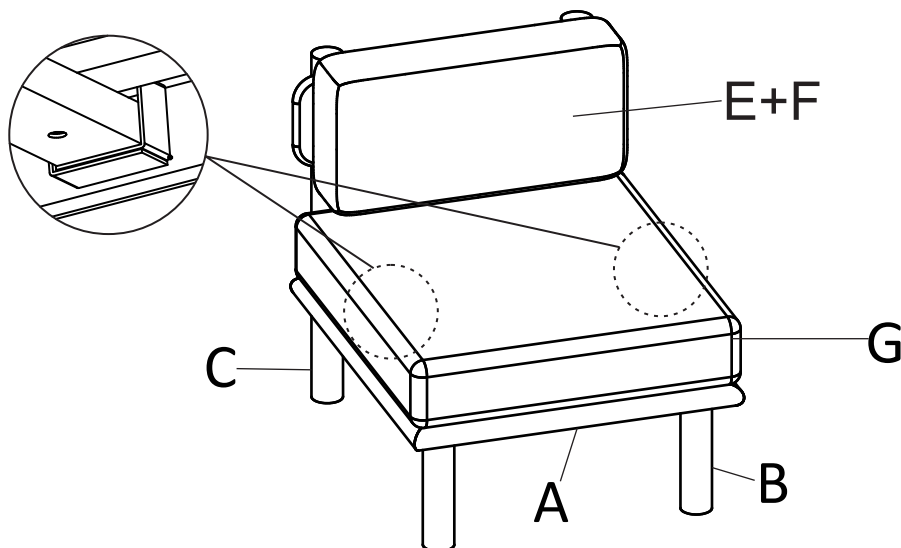
Then get off the Chair and proceed to tighten the Bolts and Screws in a sequential manner.

When tightening the Bolts, Screws, please tighten sequentially.

**DO NOT tighten any Bolts, Screws fully and then move on towards the next one.**

If there are still wobbles, loosen the Bolts, Screws and execute this same process.

## Step 7



Put Seat Cushion (G) onto the Seat Panel (A)

Tie the magic tapes of Seat Cushion (G) to the slat of Seat Panel (A)

Put Pillow in Step 5 onto the Seat Panel (A)

Your Chair is ready for use.

**This Chair can only be used on a flat, level surface.**