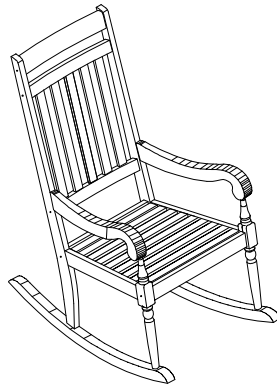


Assembly Instructions

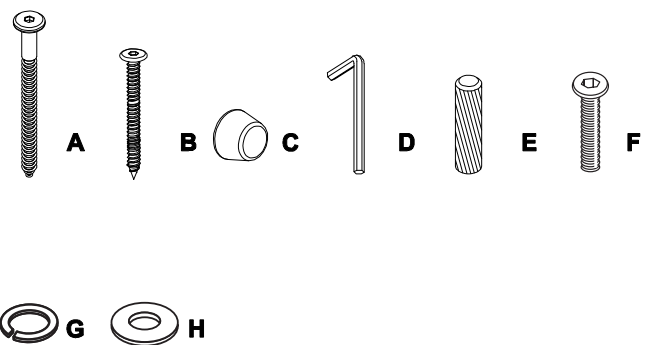
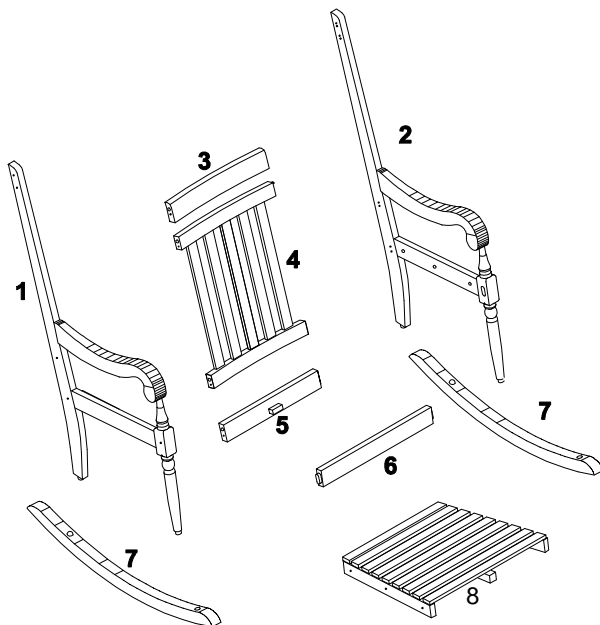


PARTS LIST :

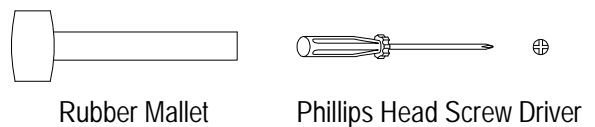
1	RIGHT ARM REST FRAME	1PC
2	LEFT ARM REST FRAME	1PC
3	HEAD REST	1PC
4	BACK REST	1PC
5	BACK CROSS BAR	1PC
6	FRONT CROSS BAR	1PC
7	WOOD SKID	2PCS
8	SEAT	1PC

HARDWARE LIST :

A	SCREW-M6x70	6PCS
B	SCREW-M6x60	8PCS
C	WOOD BUTTON - 14mm DIA.	10PCS
D	ALLEN KEY	1PC
E	WOOD DOWEL - DIA. 8x30mm	8PCS
F	BOLT-M6x35	6PCS
G	SPRING WASHER - 10mm DIA.	6PCS
H	FLAT WASHER-M6.	6PCS



TOOLS REQUIRED (NOT INCLUDED) :

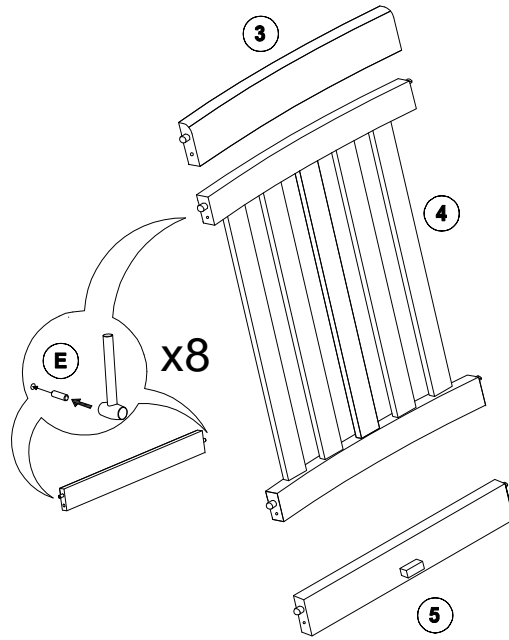


IMPORTANT NOTE :

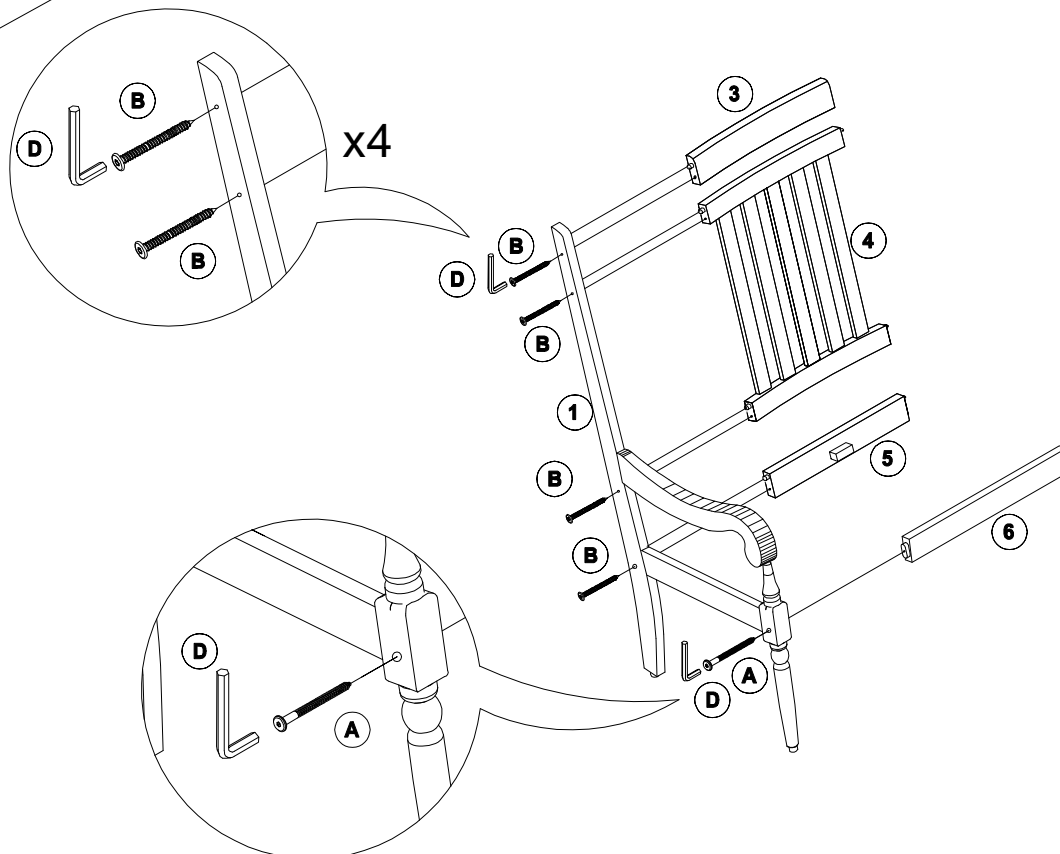
- Place all wooden parts on a clean and smooth surface such as a rug or carpet to avoid the parts from being scratched. Check to be sure that you have all parts and hardware. Remove all wrapping materials before you start to assemble. Do not tighten all screws/bolts until all completely assembled.
- Keep all hardware parts out of reach of children.
- **DO NOT TIGHTEN BOLTS/SCREWS UNTIL ALL COMPLETELY ASSEMBLED.**

Assembly Instructions

1

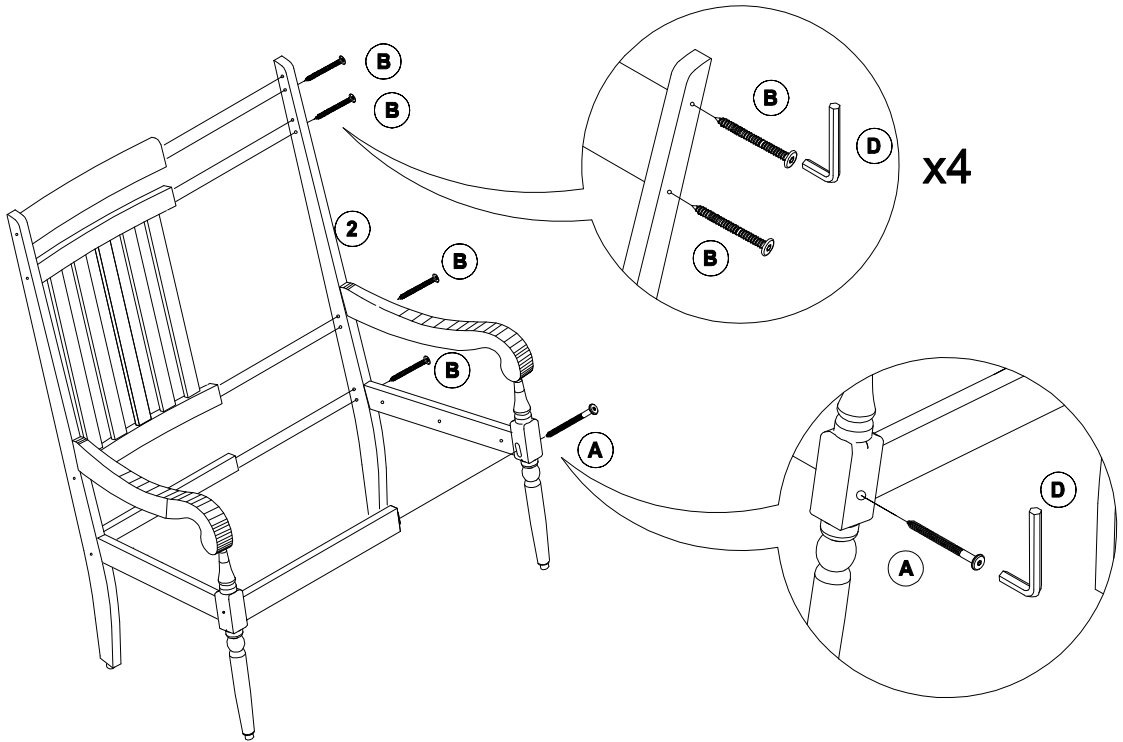


2

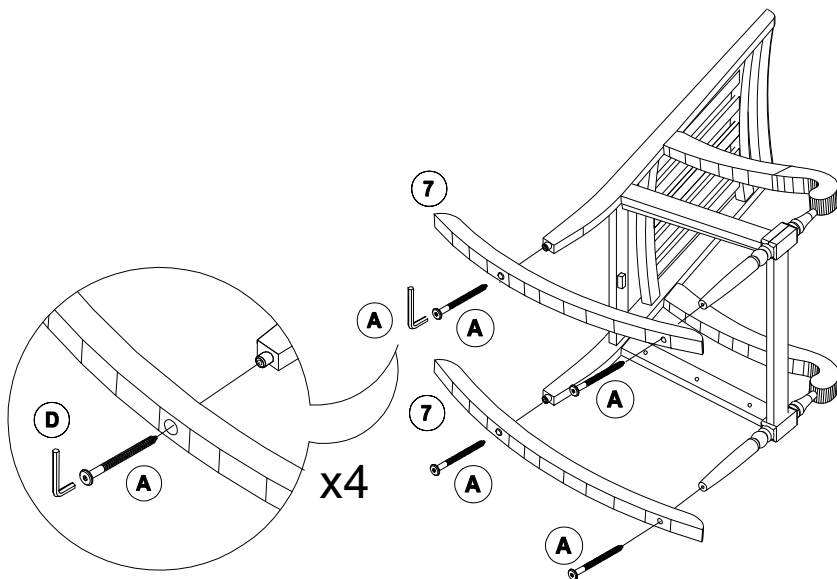


Assembly Instructions

3

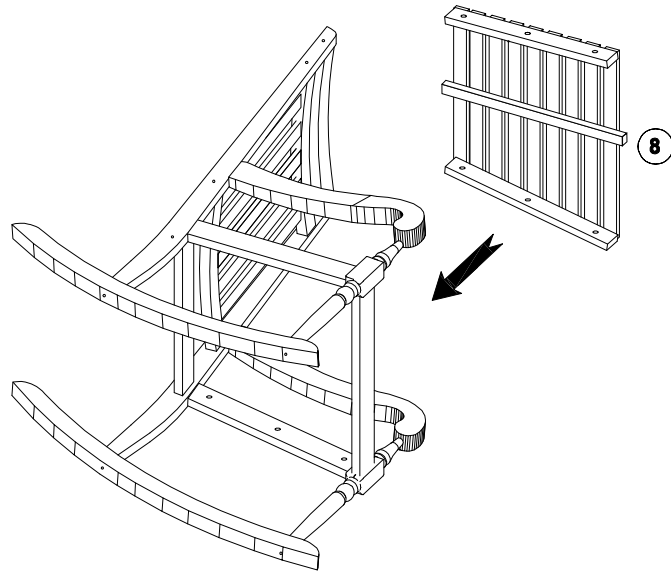


4

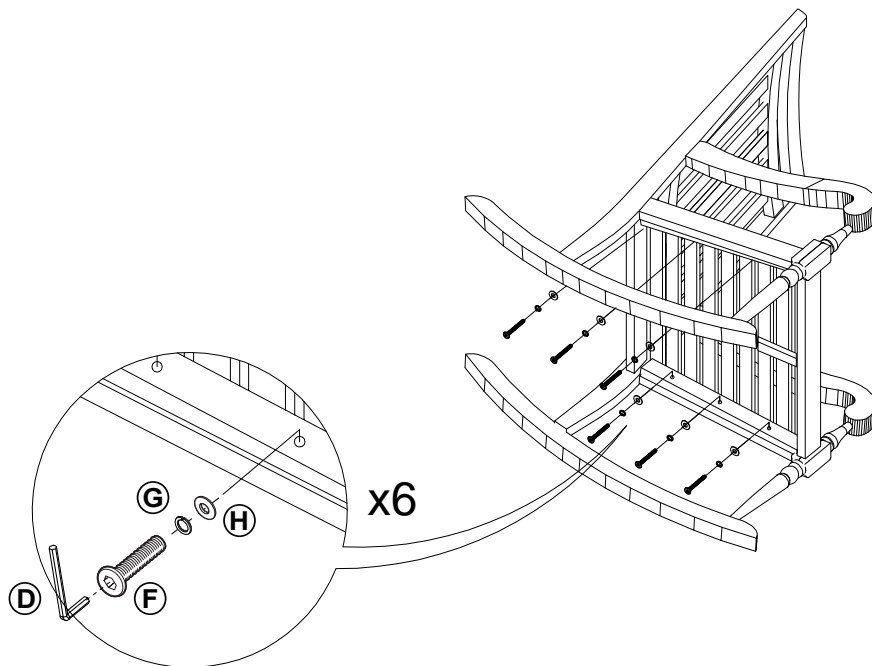


Assembly Instructions

5

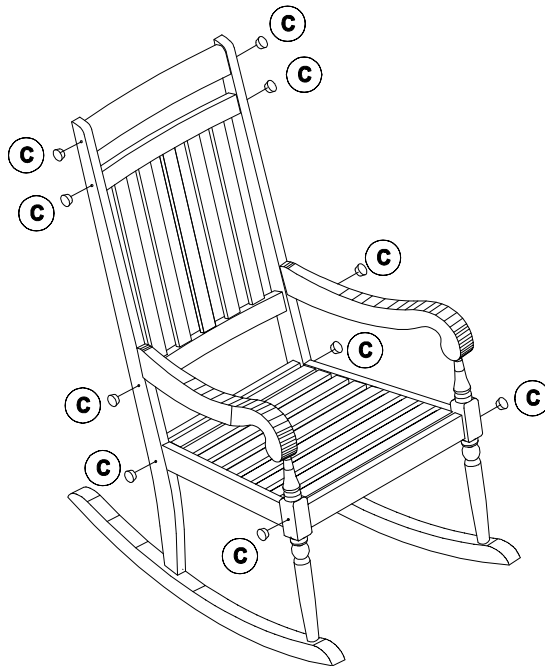


6



Assembly Instructions

7



CARE AND MAINTENANCE

- The touch of a soft cloth is all the maintenance your wood pieces will ever need. Never use harsh chemical or abrasive cleaners, as they could mark or destroy finish.
- Bolts, screws, and nuts may loosen during everyday use. They should be periodically inspected and re-tightened. Always visually check that all hardware on the list is attached and kept tightened.