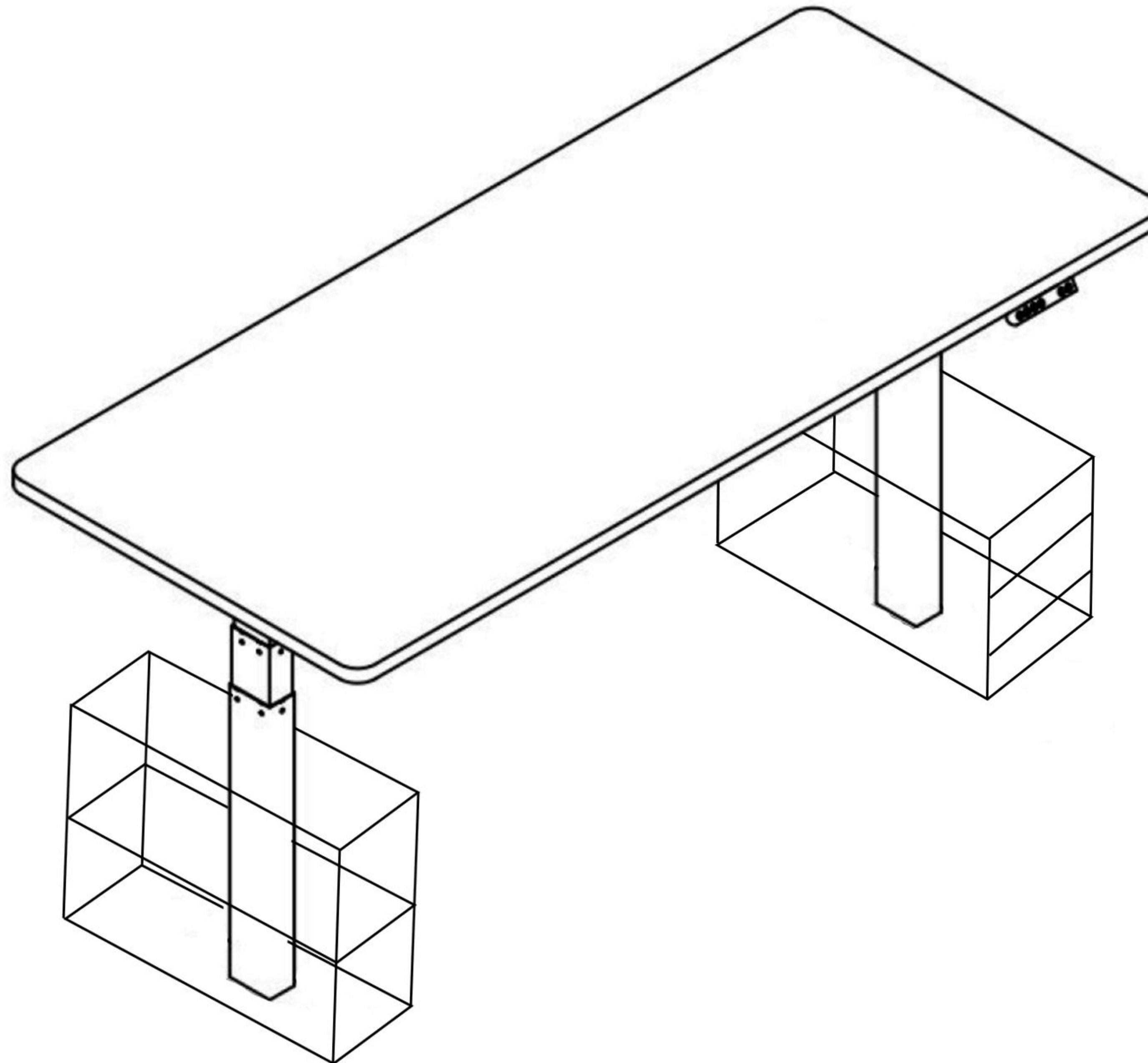


All styles share the same installation method.

Electrically-powered adjustable desk for two legs

User Manual



Attention

Ensure that the desk can be moved smoothly without any obstacles, and the length of all wires should be appropriate. Improper use of the product may result in serious property damage and personal safety risks. Please must follow and abide by the user manual.

Table of Contents

1. Safety Reminder
2. Use
3. Setting and Installation
4. List of Components
5. Assembly Instruction Manual
6. Setting and Troubleshooting of the Remote Controller
7. Technical Specifications
8. Notes and Warranty Scope

1. Safety Warning

- Before using the table, it is necessary to check the surroundings. If there are any immovable obstacles between the movement range of the table, it may cause restrictions on the body and property, thereby causing damage.
- Ensure the length of the power cord. When operating the table, the monitor, computer, speakers, and other items connected to the wires will be pulled down or broken.

2. Use

A DC brush motor is installed on the lifting table, which is designed for the drying work area. The height of the table can be adjusted, allowing it to be positioned at the height that best suits ergonomics. The table cannot be used in damp or high-humidity environments.

Do not move or lie under the table or crawl along it. Do not sit or stand on the table.

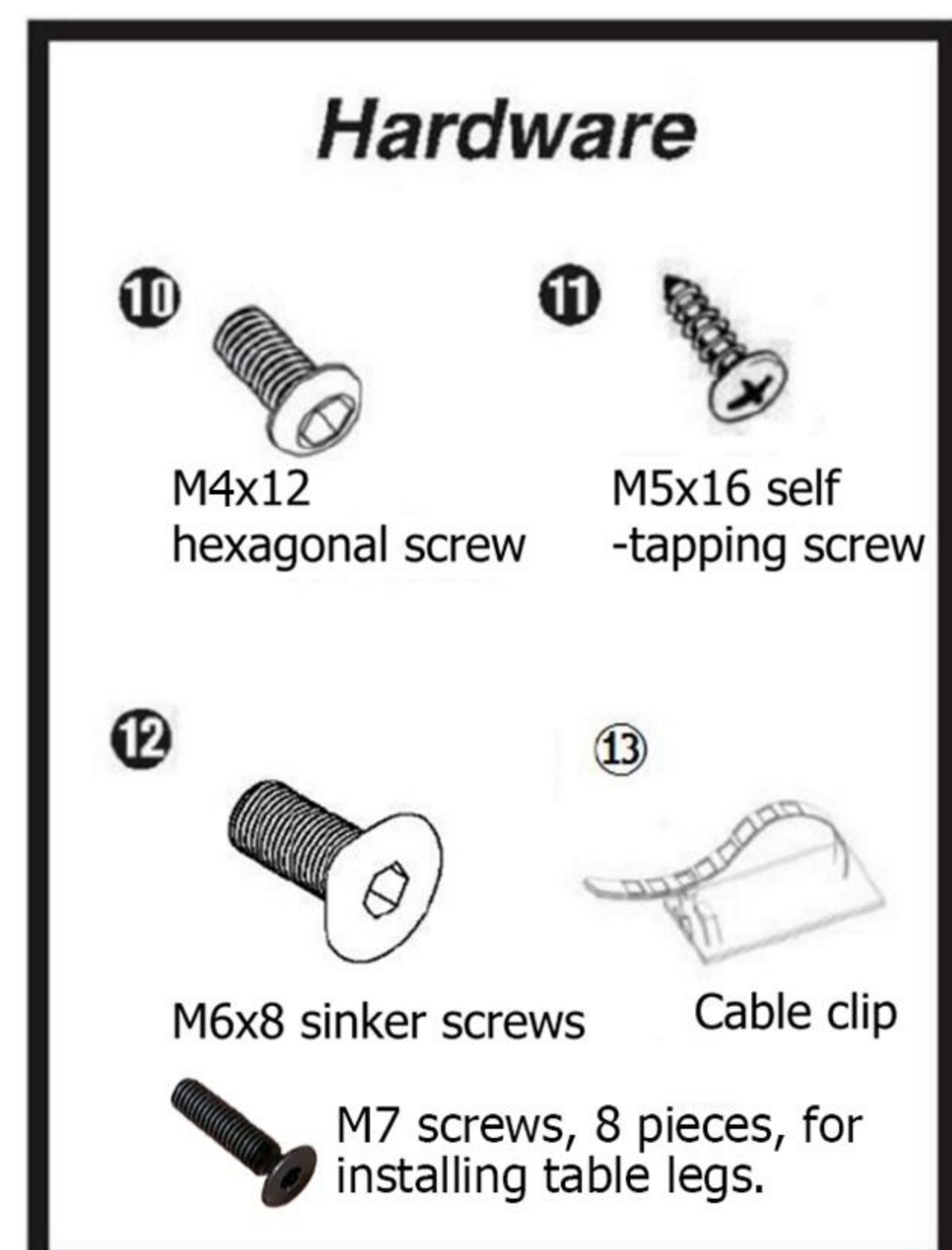
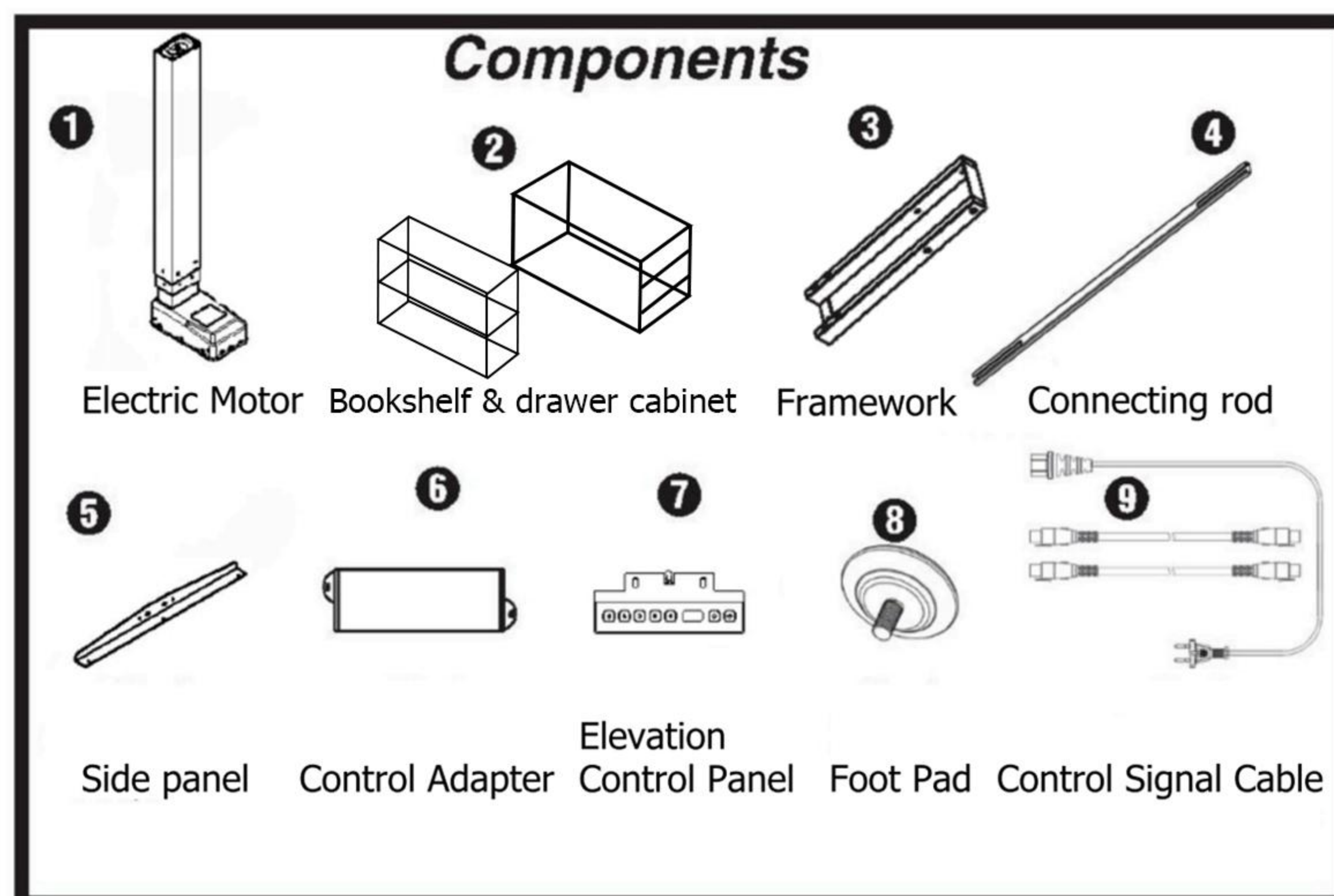
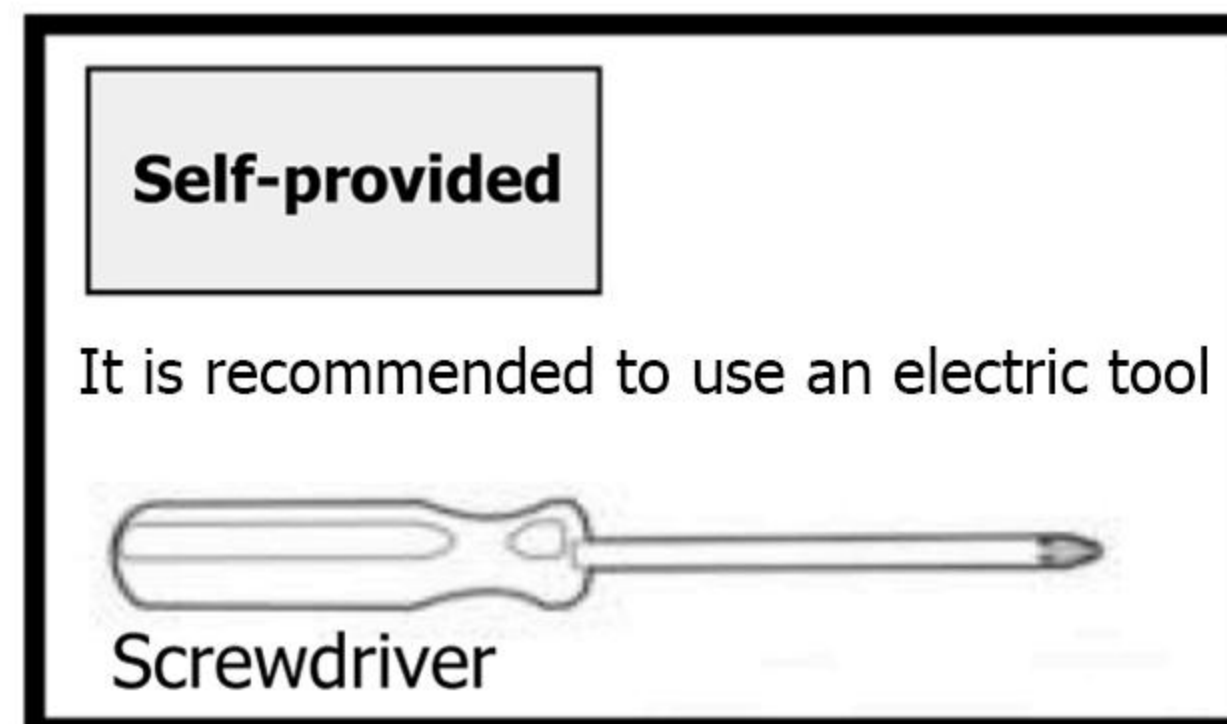
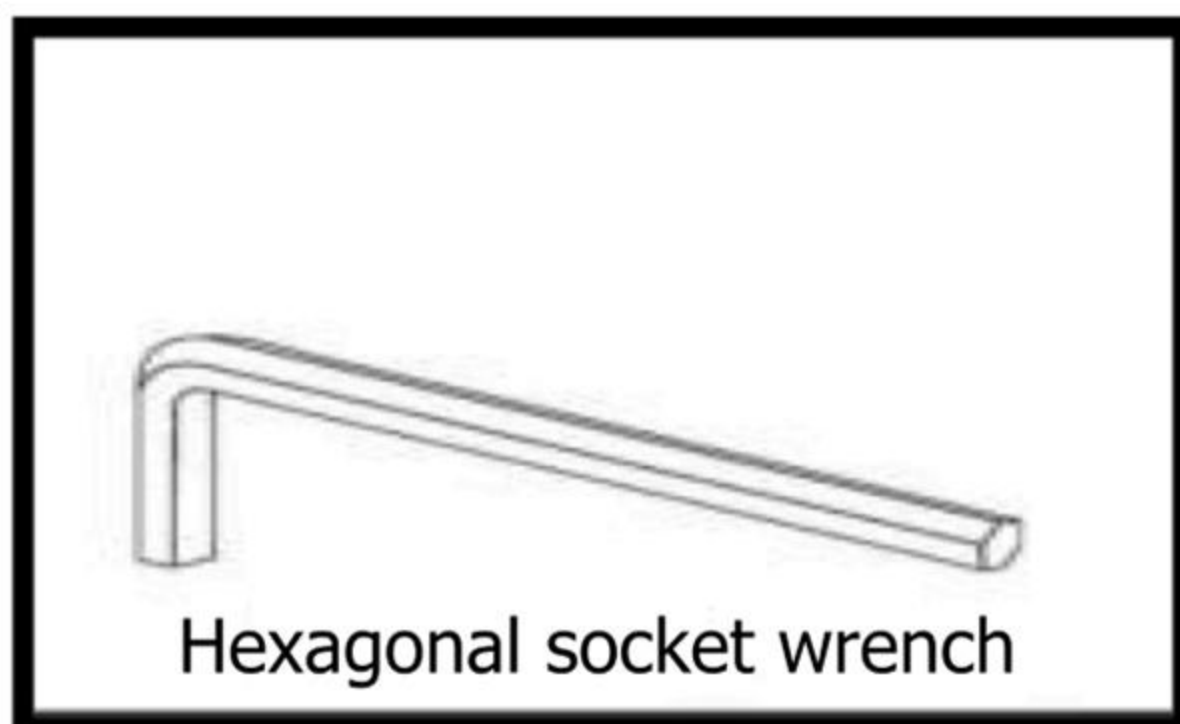
Children are not allowed to use it without the supervision of adults.

3. Setup and Installation

Once the assembly is completed, adjust the table legs to ensure the desktop is level and cannot be moved. Then connect a 110V or 220V power supply and be ready to use.

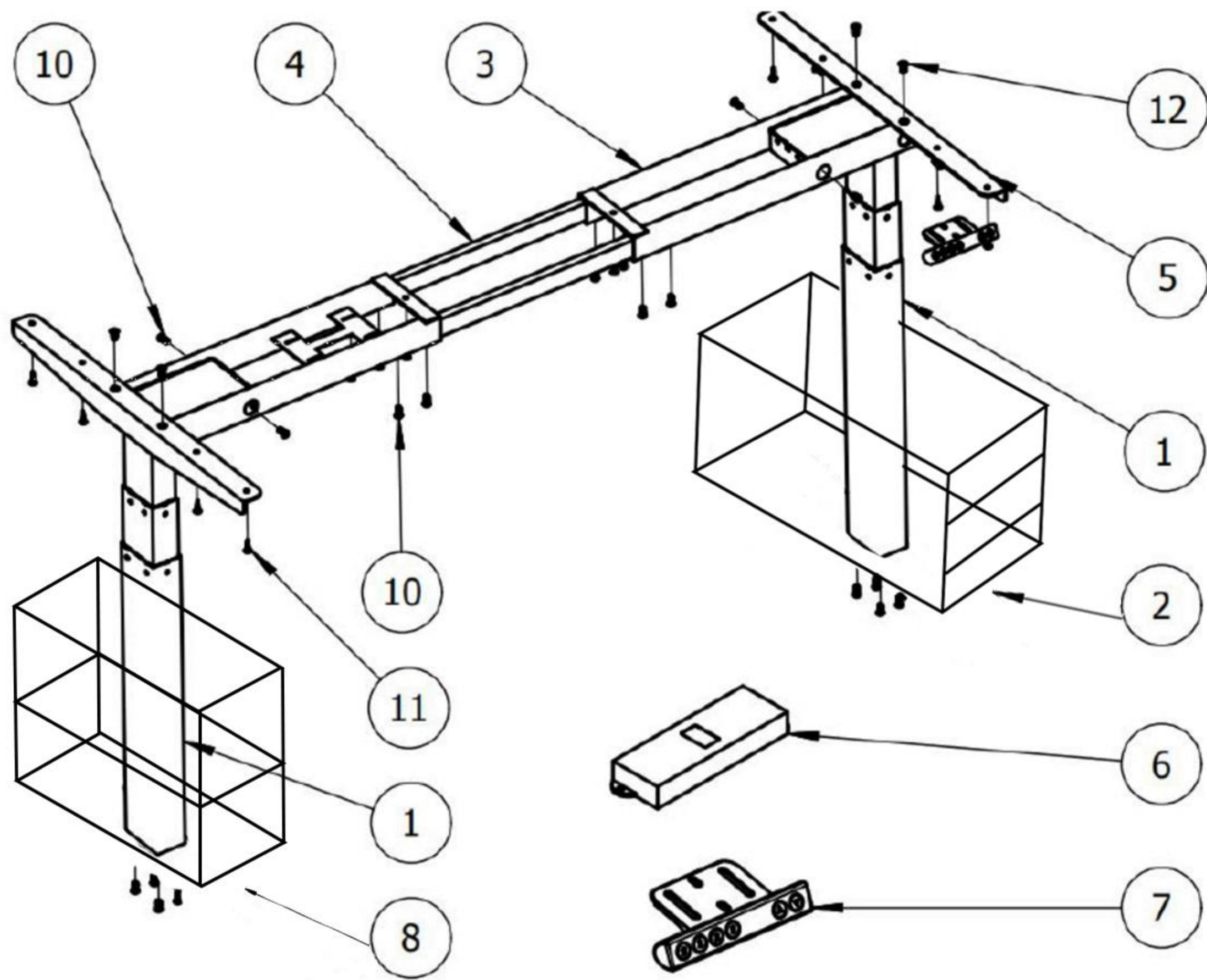
1. Check if there are any obstructions in the wires.
2. Choose a position for the table that is at a certain distance from the window and the house, so that people won't be trapped by the table. Do not place items taller than 50cm under the table.
3. After assembly, when moving the table, do not move it by lifting the tabletop.
4. When lifting the table, reinforce the connection between the table frame and the tabletop.
5. Reduce the height of the table to make it easier to grasp the table frame or remove the tabletop.

4. List of Components



Before handling the cartons and packaging, please first count all the accessories. Use soft pads or carpets at the assembly area to avoid damage. For convenience and safety, it is recommended to assemble the items by two people.

Only the basic style desks have the baseplate and foot pad. The special styles do not include them.

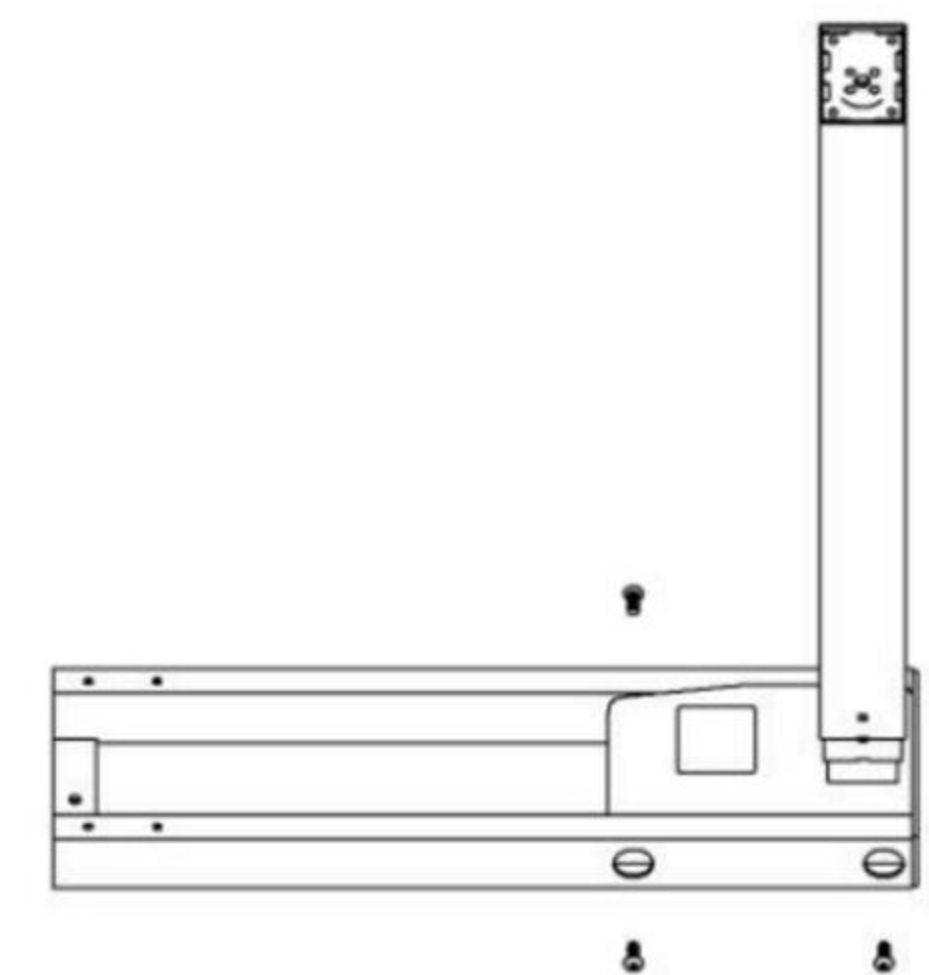
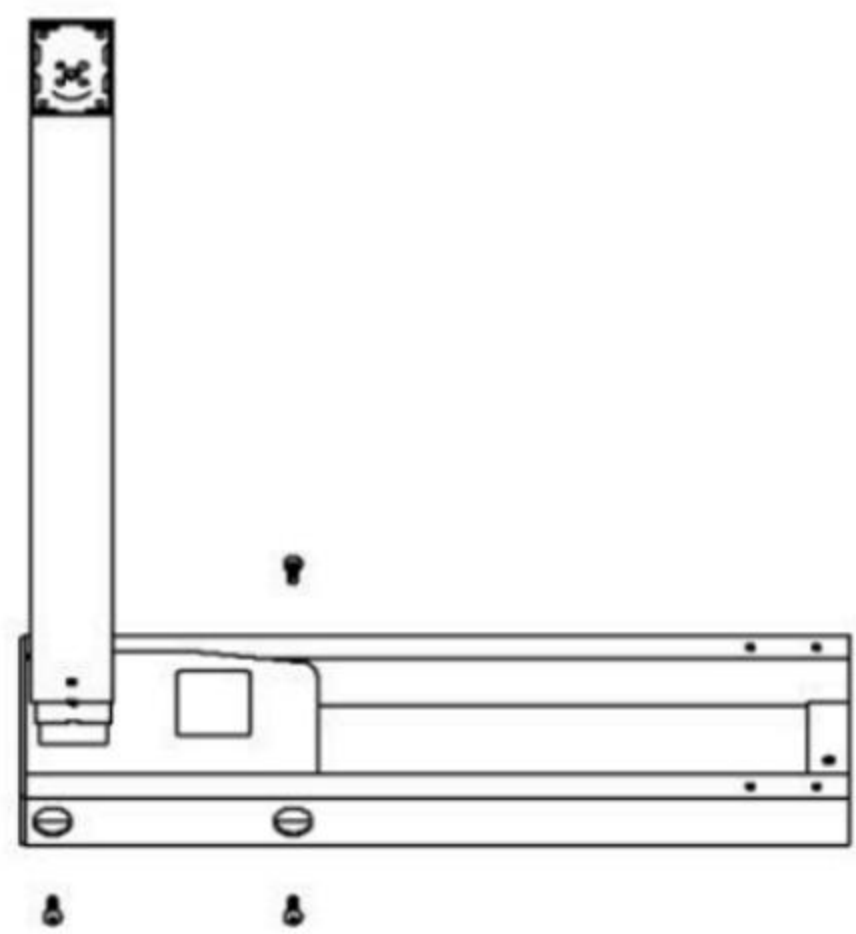


Code name	Name	Quantity
1	Electric Motor	2
2	drawer cabinet	2
3	Framework	2
4	Connecting rod	2
5	Side panel	2
6	Control Adapter	1
7	Elevation Control Panel	1
8	Bookshelf	4
9	Control Signal Cable	1
10	M4x12 hex socket screw	24
11	M5x16 self-tapping screws	14
12	M6x8 sinker screws	4
13	Wire clipper	5

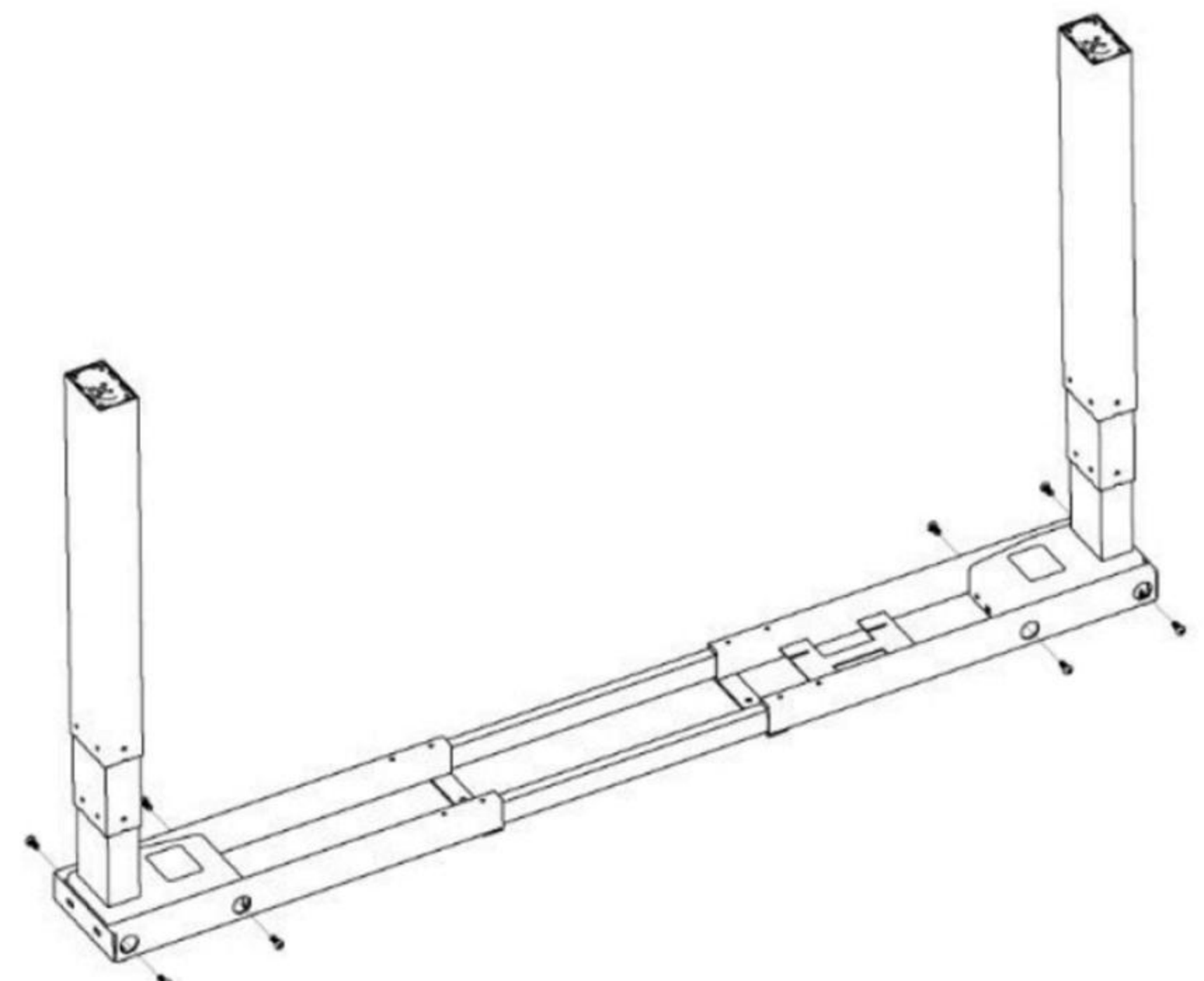
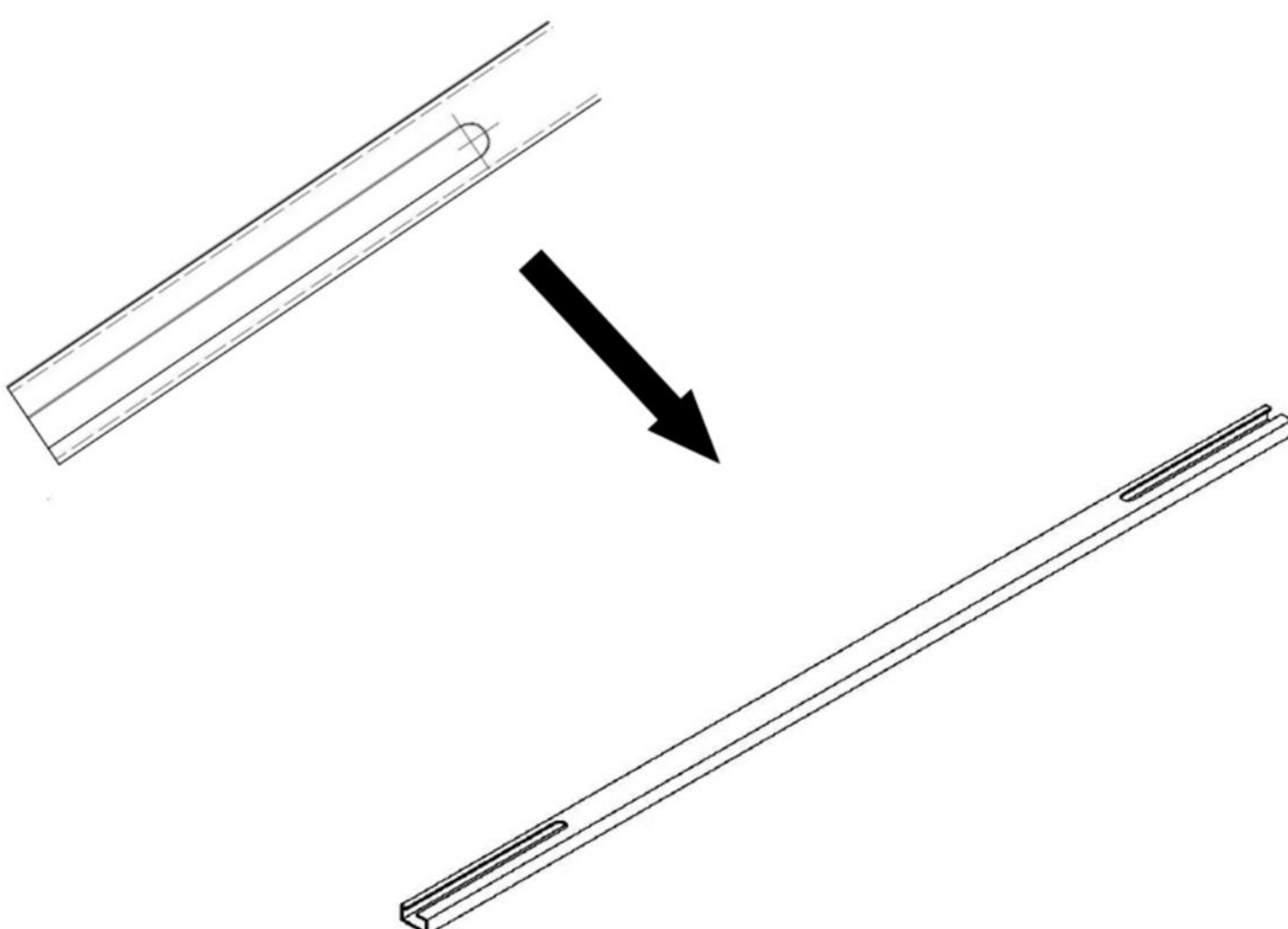
3

5. Assembly Instruction Manual

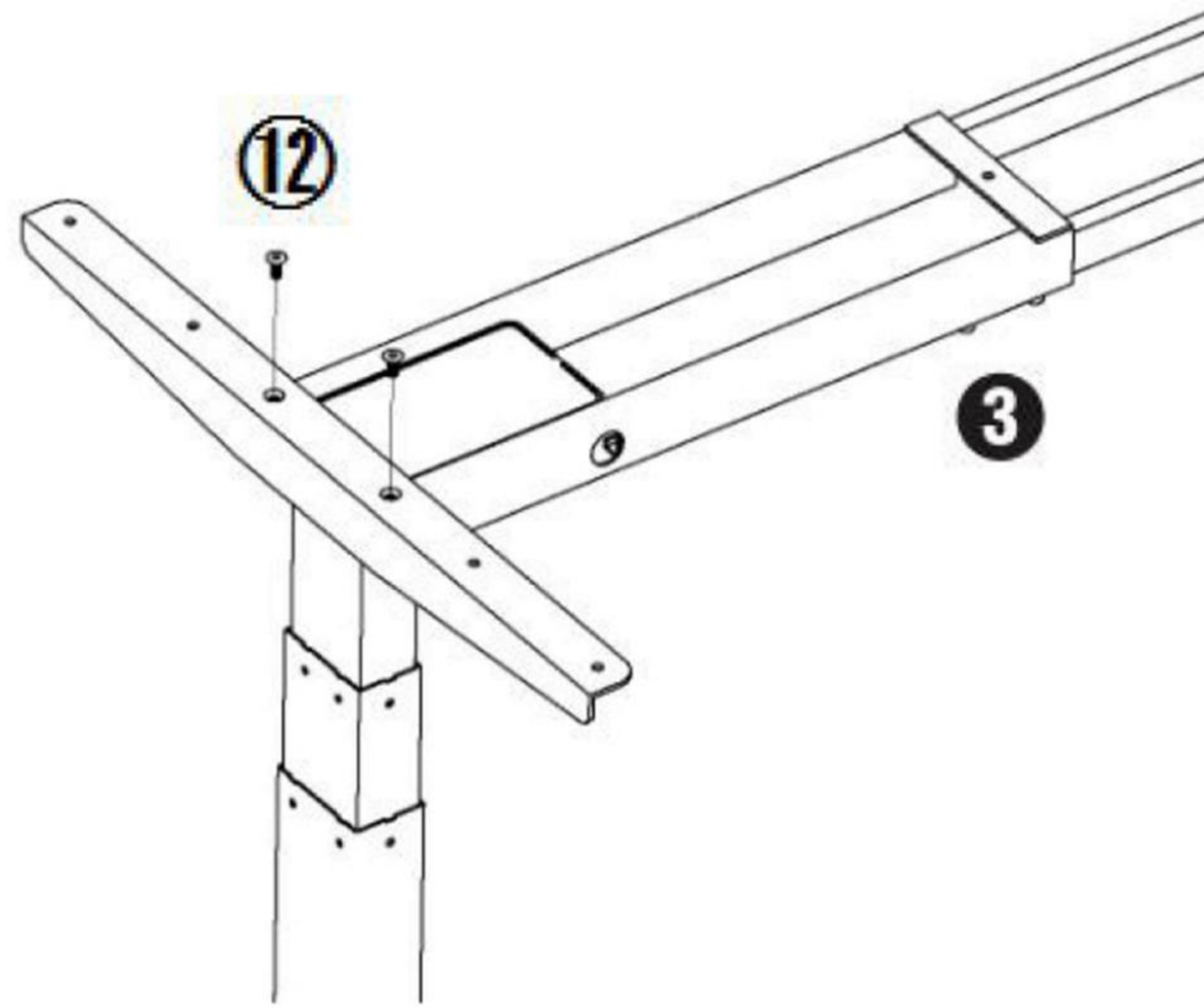
1. As shown in the figure, remove the motor labeled as Code 1 and the frame marked as Code 3, then secure them with M4X12 hex screws.



A. Take out two connecting rods numbered 4 as shown in the figure, insert them between the 3rd rods, and note that the two connecting rods should be inserted with their openings facing inward.

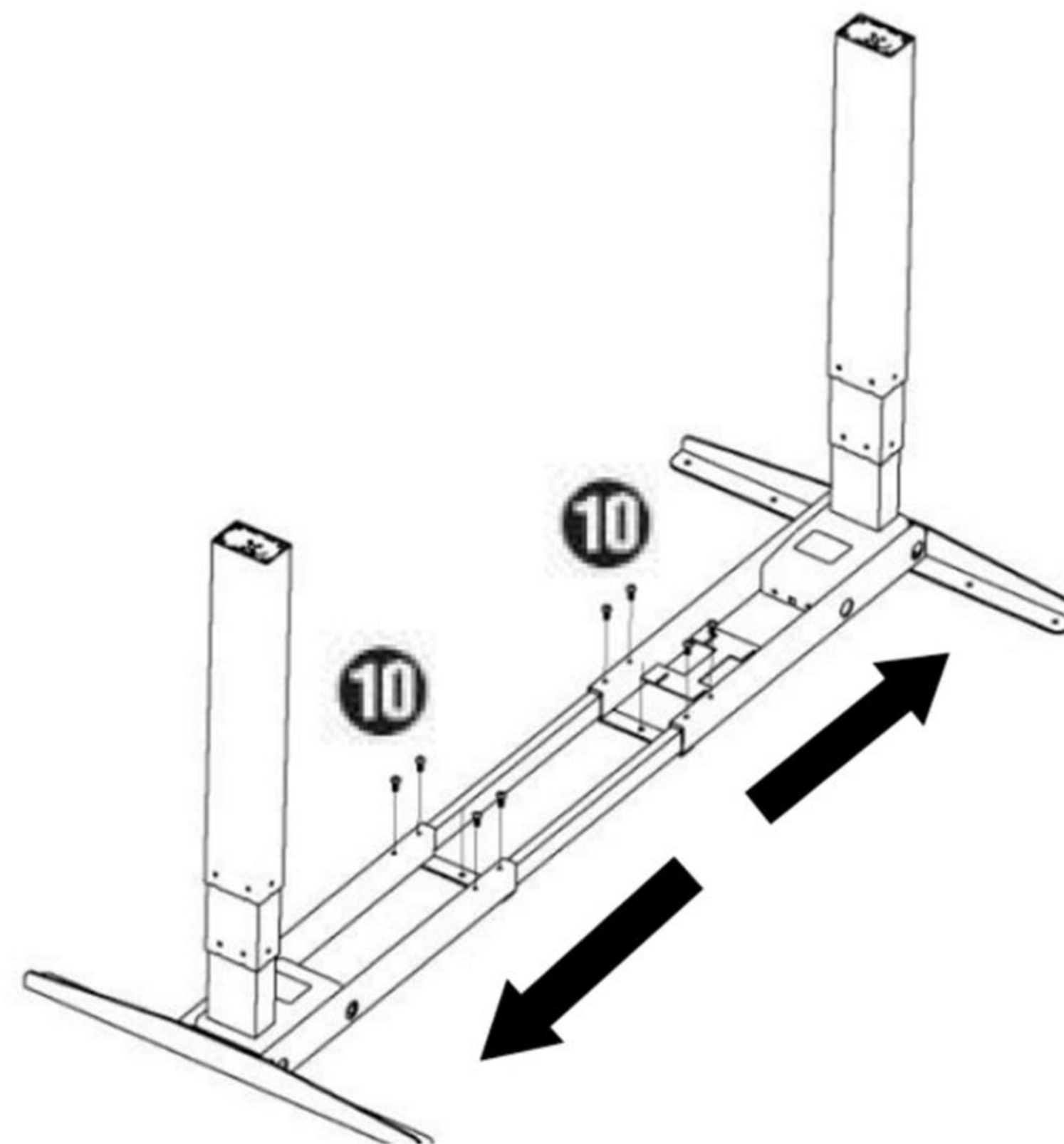


B. Install the side panels on both No. 3 frames, securing each panel with two M6x8 countersunk screws.

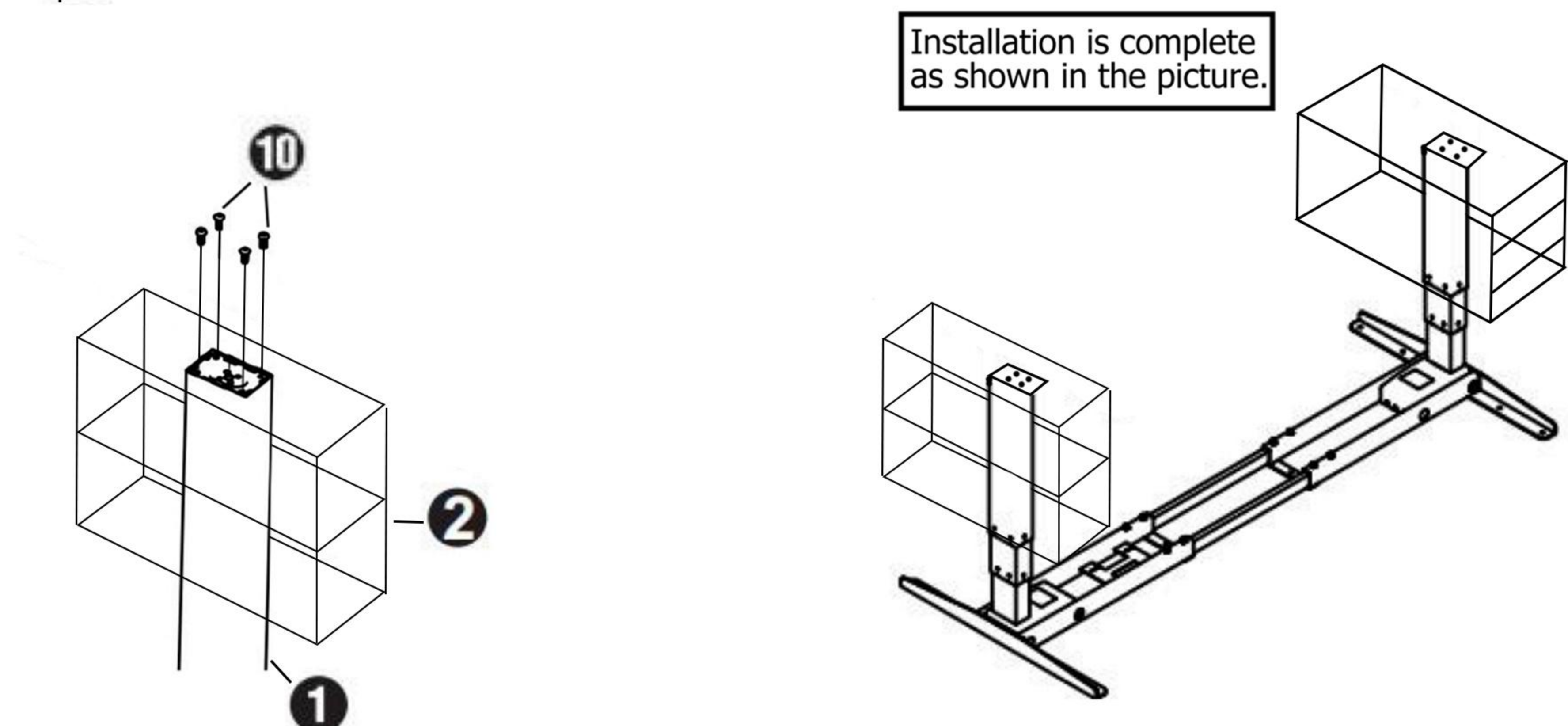


4

C. Stretch the length as indicated by the arrow. The length can be determined according to the tabletop. Finally, fix it with M4x12 internal hexagonal screws.

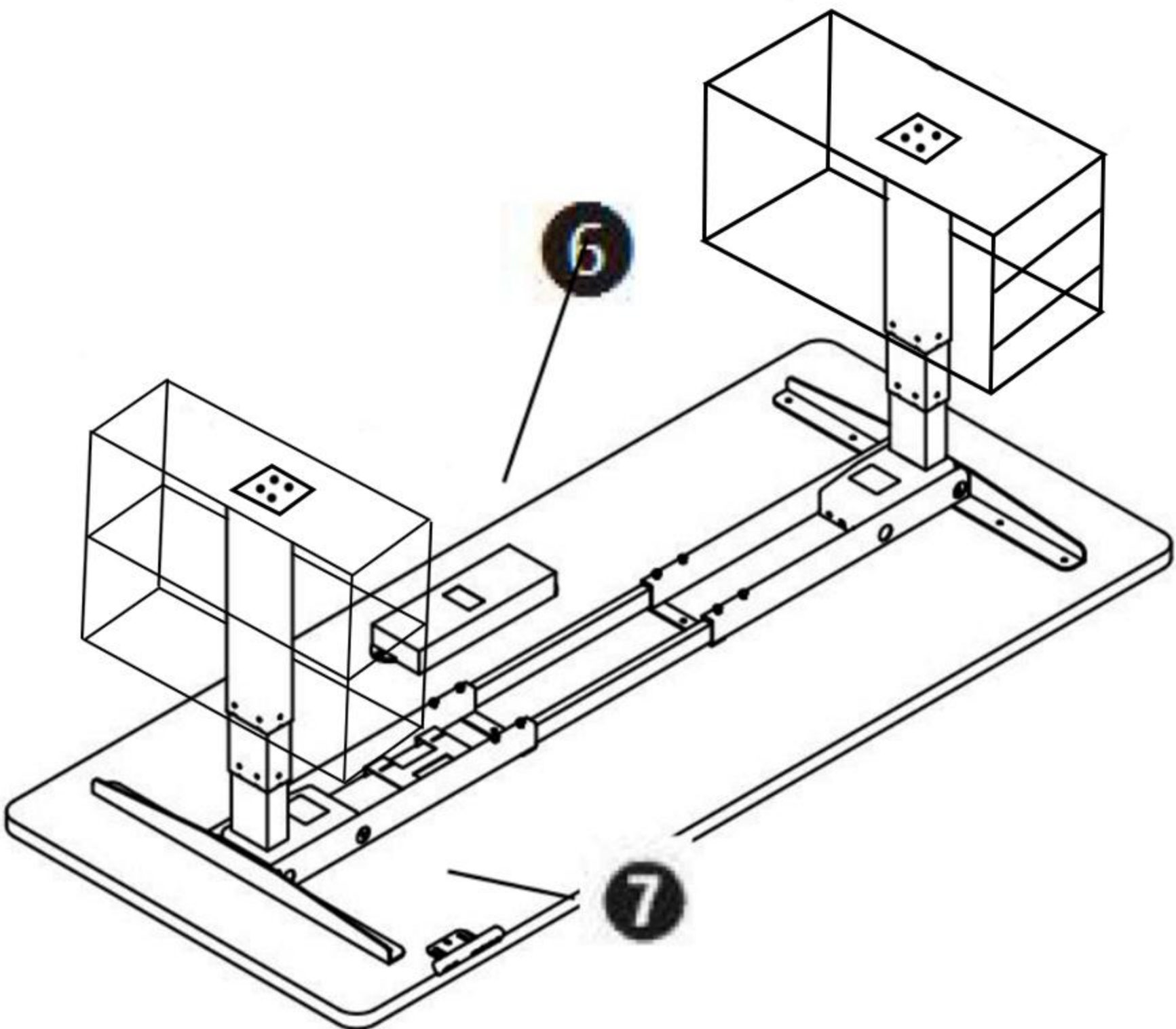


D. Install the 2nd drawer cabinet and the 8th bookshelf onto the two No. 1 motors. As shown in the illustration, first align the holes of the drawer cabinet and bookshelf with those on the motors, then fasten them in place using M4x12 screws to complete the installation.



M7 screws are used for the assembly and fastening of the desk legs and cabinets on the special model desk.

E. Install the desktop panel, elevation control panel, and controller adapter. The controller adapter can be mounted either:
Using M5x16 Phillips self-tapping screws to secure to the desktop panel, or
By inserting into the frame slot



Setting and Troubleshooting of the Hand Controller



1. Example of Button Interface

Button Instructions:

- (1).M: Settings Key
- (2).Save Key 1/ Save Key 2/ Save Key 3:Memory position keys
- (3).UP (Key+): Raise desk
- (4).DOWN (Key -): Lower desk

2. Initialization operation

(1) .When an anomaly occurs in the system or the manual controller displays "RST", the lifting table needs to be initialized. The initialization operation is as follows: Press the "DOWN" button and hold it until the motor stops, then release the button. Press "DOWN" for 5 seconds, and the system will automatically enter the initialization mode. At this time, the "DOWN" button cannot be released. If the "DOWN" button is released, the system will stop the initialization mode. Once the initialization is completed, the buzzer will emit a prompt sound, indicating that the initialization is successful.

3. Up and Down Key Operations

- (1) .When the "UP" key is pressed, the desktop will move upwards until it reaches the topmost point of the desktop.
- (2) .When the "UP" or "DOWN" keys are pressed briefly, the desktop will move a small distance accordingly to achieve the position shift.
- (3) .When the "DOWN" key is pressed, the desktop will move downwards until it reaches the lowest point of the desktop.

4. Position storage and memory operation

(1) .The hand controller in the above picture can store 3 memory points. The storage method is as follows: When reaching a specific point, press the "SET" button at this time, the digital tube displays "S-" and the "-" symbol flashes. Then press the "1-3" key to store the current position to the corresponding label.

(2) .In the fully automatic mode (S-6 is 1), if you want to reach the memory point, at this time, you only need to press the label of the corresponding storage position. At this moment, the digital tube will display the height of the corresponding position, and then the system will automatically run to the corresponding height stored in the position. During the operation, any key can stop the system.

(3) .In semi-automatic mode (with S-6 set to 0), if you want to reach the memory point, simply keep pressing the label corresponding to the storage position. At this time, the digital tube will display the height at the corresponding label position, and then the system will automatically run to the corresponding height stored in the position. During the operation, release the button to stop the system.

5. High and Low Limit Setting

(1) .The system supports limiting the height of the desktop. The operation method is as follows: when you want to set the current height to the maximum allowed height of the desktop, simultaneously press the "UP"+ "DOWN" keys at the corresponding height for 5 seconds. At this time you will hear a beeping sound, indicating that the limit position has been successfully stored. When the table is in the upper part of its travel range, the limit is the high position. When the desktop is in the lower part of the table's travel range, the limit is the lowest position.

(2) .To remove the height restriction:
Method 1: Reset the system. The height restriction will be cancelled.
Method 2: Let the desktop reach the maximum or minimum height limit. Then, simultaneously press the "UP" + "DOWN" keys for 5 seconds. At this point, you will hear a beeping sound, indicating that the restriction position has been successfully cancelled.

6. Locking and Unlocking

(1) .Lock: Press and hold "M" + "UP" for 5 seconds. When the digital display shows "Loc", this indicates that the system is locked and no further up-down operations can be performed on the system.

(2) .Unlock: Press and hold "M" + "DOWN" for 5 seconds. When the digital display changes from "Loc" to the normal numeric display, it means the system has been unlocked.

7. Restore factory settings

(1) .When the system is replaced with new table legs, or when the parameters need to be restored to the factory settings, press and hold the "UP + DOWN" keys for 10 seconds. At this point, a long beeping sound will be heard, indicating that the parameters have been restored to the factory state and a forced initialization has been performed.

8. Scheduled operation

(1) .Press the "1" + "3" buttons on the remote control. The remote control will display "x.xh". At this point, you can press the "UP" or "DOWN" buttons to adjust the timing, with a change of 0.5 hours. Set the automatic exit after 2 seconds. After the remote control goes off, there will be a decimal point flashing, indicating that the timing is running. When the timing is reached, the buzzer will sound 5 times, and the remote control will automatically wake up.

Notes for Attention

(1) .Avoid exposure to corrosive gases and dusty environments, and be sure to prevent water damage.